

2009

# Gas Springs

LESJÖFORS

2009

# Gas Springs



## Contents

	Page
General information	1
Important information	1
Alfa Romeo	2
Audi	2
Autobianchi	4
BMW	4
Chevrolet	5
Citroën	5
Daewoo	7
Daihatsu	7
Fiat	8
Ford	9
Honda	11
Hyundai	12
Jaguar	12
Jeep	13
Kia	13
Lada	13
Lancia	14
Land Rover	14
Mazda	14
Mercedes	15
MG	16
Mini	16
Mitsubishi	17
Nissan	17
Opel	18
Peugeot	20
Porsche	22
Renault	22
Rover	23
Saab	24
Seat	24
Skoda	25
Smart	25
Subaru	26
Suzuki	26
Talbot	26
Toyota	26
Vauxhall	28
Volkswagen	30
Volvo	31
Notes – GB, SE	34
FI, DE	35
FR, PL	36
RU	37
Technical listing, by part number	38
Technical listing, by length	54
Drawings, end fittings	70
Standard Gas Springs	73
End fittings M6	77
End fittings M8	79

# LESJÖFORS

– the complete spring package

## GENERAL INFORMATION

### LESJÖFORS GAS SPRING...

...range is primarily designed for cars in the European market. All articles in this catalogue are stock items and are available in small or large quantities. Very large orders can be specially manufactured.

We also manufacture and distribute a wide range of standard, heavy duty, sport coil springs and leaf springs.

### TECHNICAL INFORMATION

Gas springs consist of a pressure tube, piston rod, piston, seals and other components. They also contain a small amount of oil which produces a damping effect as well as keeping the seals lubricated.








The gas spring is filled with compressed nitrogen which forces the piston rod to extend whenever it has been compressed. The gas pressure is carefully adjusted to obtain the correct force depending on, for example, the weight of the rear hatch.

### QUALITY

All springs are inspected and tested before delivery, to ensure that only high quality products leave the factory.

"Lesjöfors Fjädrar AB" and "Lesjöfors Automotive" are registered Trade marks and cannot be used without written permission from the company. Reprinting or copying is only permissible with the written consent of the editor. All car makes, chassis numbers, oe.numbers, pictures and images are meant for illustration and information purposes only. The products are not produced by the oe.producer

## IMPORTANT

-  A Gas Spring is filled with oil and highly pressurised gas. Therefore, do not try to open or drill into a Gas Spring.
-  First, check and compare the design, length and mounting points before installing the new gas spring.
-  Remember that it is the gas springs that supports the bonnet and rear hatch. To avoid injuries of any kind, ensure a secure fastening of the bonnet or rear hatch when replacing springs.
-  Check mounting points in the body, if they are damaged they should be changed or repaired.
-  We recommend that the springs on the vehicle are fitted in pairs.
-  On a car that has been extra equipped with blinds, hi-fi speakers or spoilers for example, there is a risk that the rear hatch may be too heavy for gas springs designed with the original elevating power.
-  Extremely cold temperatures deteriorate the gas springs elevating abilities.

Make / Model	Type	Year	Front	Notes	Rear	Notes
<b>ALFA ROMEO</b>						<b>007</b>
<b>33</b>						
33	905	83 - 89			81 007 00	
33	905	89 - 9/94			81 007 01	
<b>145</b>						
145	930	94 - 00			81 007 15	
<b>146</b>						
146, without rear spoiler	930	94 - 00			81 007 09	
146, with rear spoiler	930	94 - 00			81 007 10	
<b>147</b>						
147	937	1/01 -	80 007 04		81 007 14	
<b>155</b>						
155, without rear spoiler	167	92 - 9/97	80 007 01		81 007 07	
155, with rear spoiler	167	92 - 9/97	80 007 01		81 007 08	
<b>156</b>						
156	932	10/97 - 06	80 007 02		81 007 11	
156 Sportwagon	932	5/00 - 06	80 007 02		81 007 12	
<b>159</b>						
159	140	05 -	80 007 05		81 007 19	
159 Sportwagon	140	05 -	80 007 05		81 007 16	
<b>164</b>						
164	164	88 - 98	80 007 00		81 007 02	
<b>166</b>						
166	936	9/98 -	80 007 03		81 007 13	
<b>Alfasud</b>						
Alfasud		8/70 - 85			81 007 03	
<b>Brera</b>						
Brera		05 -	80 007 05		81 007 22	
<b>GT</b>						
GT	125	03 -	80 007 04		81 007 20	
<b>GTV</b>						
GTV		7/73 - 2/87			81 007 04	
GTV, left side	U8 163	95 - 98	80 007 06			
GTV, right side	U8 163	95 - 98	80 007 06		81 007 17	
GTV, without rear spoiler	W0 163	98 - 05	80 007 06		81 007 17	
<b>Spider</b>						
Spider, left side	U7 163	95 - 98	80 007 06			
Spider, right side	U7 163	95 - 98	80 007 06		81 007 17	
Spider	U9 163	98 - 06	80 007 06		81 007 17	
Spider		06 -	80 007 05		81 007 21	
<b>AUDI</b>						<b>042</b>
<b>80/90</b>						
80, without spoiler	81	4/84 - 8/86			81 042 01	
80, with spoiler	81	4/84 - 8/86			81 042 02	
80 / 90, without spoiler	89	9/86 - 8/91	80 042 00		81 042 03	
80 / 90, with spoiler	89	9/86 - 8/91	80 042 00		81 042 04	
80	B4	9/91 - 94	80 042 01		81 042 05	
80, with spoiler	B4	9/91 - 94	80 042 01		81 042 06	
80 Avant	B4	9/91 - 94	80 042 01		81 042 07	
<i>Audi continues...</i>						

Make / Model	Type	Year	Front	Notes	Rear	Notes
<i>Audi continued</i>						
<b>Coupe</b>						
Coupe	85	9/81 - 8/86	80 042 03		81 042 08	
Coupe, without spoiler	89	8/88 - 94			81 042 12	
Coupe, with spoiler	89	8/88 - 94			81 042 13	
<b>100</b>						
100	43	9/76 - 8/82	80 042 04			
100	44	9/82 - 4/85	80 042 05	1)		
100	44	4/85 - 11/90	80 042 06	2)		
100 Avant	44	9/82 - 4/85	80 042 05	1)	81 042 09	
100 Avant	44	4/85 - 11/90	80 042 06	2)	81 042 09	
100	C4	12/90 - 94	80 042 07		81 042 10	
100 Avant	C4	12/90 - 94	80 042 07		81 042 11	
<b>200</b>						
200	44	86 - 11/90	80 042 06	2)		
200 Avant	44	86 - 11/90	80 042 06	2)	81 042 09	
<b>A2</b>						
A2	8Z	2/00 - 05			81 042 25	
<b>A3</b>						
A3	8L	9/96 - 5/03	80 042 10		81 042 15	
A3	8P1	5/03 -	80 042 17		81 042 28	
A3 Sportback	8PA	9/04 -	80 042 17		81 042 29	
<b>A4</b>						
A4	8D2/B5	95 - 10/00	80 042 09		81 042 14	
A4 Avant	8D5/B5	95 - 10/00	80 042 09		81 042 15	
A4	8E2/B6	11/00 - 11/04	80 042 16		81 042 34	
A4 Avant	8E5/B6	11/00 - 11/04	80 042 16		81 042 27	
A4 Cabriolet	8H	4/02 -	80 042 16		81 042 35	
A4	8E6	11/04 - 10/07	80 042 16		81 042 32	
A4 Avant	8ED	11/04 - 3/08	80 042 16		81 042 33	
A4	8K2	11/07 -	80 042 20			
A4 Avant	8K5	4/08 -	80 042 20			
<b>A5</b>						
A5	8T	07 -	80 042 20			
<b>A6</b>						
A6	4A/C4	6/94 - 4/97	80 042 08		81 042 10	
A6 Avant	4A/C4	6/94 - 4/97	80 042 08		81 042 11	
A6	4B/C5	4/97 - 4/00	80 042 14		81 042 26	35)
A6	4B/C5	4/00 - 5/04	80 042 14		81 042 34	36)
A6 Avant	4B/C5	4/97 - 5/04	80 042 14		81 042 19	
A6 Allroad	4B	5/00 - 8/05	80 042 14		81 042 19	
A6	4F2	5/04 -	80 042 18		81 042 30	
A6 Avant	4F5	3/05 -	80 042 18		81 042 31	
A6 Allroad	4FH	3/05 -	80 042 18		81 042 31	
<b>A8</b>						
A8	4D	3/94 - 9/02	80 042 15		81 042 24	
A8	4E	10/02 -	80 042 21		81 042 36	44)
<b>TT</b>						
TT Coupe, without spoiler	8N3	10/98 - 06	80 042 13		81 042 21	
TT Coupe, with spoiler	8N3	10/98 - 06	80 042 13		81 042 23	
TT Roadster, without spoiler	8N9	10/99 - 06	80 042 13		81 042 20	
TT Roadster, with spoiler	8N9	10/99 - 06	80 042 13		81 042 22	
TT Coupe	8J3	10/06 -	80 042 22		81 042 37	
TT Roadster	8J9	2/07 -	80 042 22		81 042 38	

Make / Model	Type	Year	Front	Notes	Rear	Notes
<b>AUTOBIANCHI</b>						<b>058</b>
<b>A112</b>						
A112		- 12/86			81 058 00	
<b>BMW</b>						<b>084</b>
<b>1-Series</b>						
1-Series	E81/E87	9/04 -	80 084 12		81 084 21	
1-Series Cabriolet	E88	08 -	80 084 12		81 084 22	
1-Series Coupe	E82	07 -	80 084 12		81 084 22	
<b>3-Series</b>						
3-Series	E30	5/81 - 8/91	80 084 00			
3-Series Cabriolet	E30	3/86 - 4/89	80 084 00		81 084 00	
3-Series Cabriolet	E30	5/89 - 7/93	80 084 00		81 084 08	
3-Series Touring	E30	7/87 - 6/94	80 084 00		81 084 01	
3-Series	E36	91 - 5/98	80 084 01		81 084 02	
3-Series Cabriolet	E36	12/93 - 4/99	80 084 01		81 084 20	
3-Series Compact	E36	3/94 - 8/00	80 084 01		81 084 10	
3-Series Coupe	E36	3/92 - 99	80 084 07			
3-Series Touring	E36	94 - 99	80 084 01		81 084 09	
3-Series	E46	98 - 05	80 084 09		81 084 11	
3-Series Cabriolet	E46	00 - 07	80 084 09	37)	81 084 24	
3-Series Compact	E46	01 - 05	80 084 09		81 084 25	
3-Series Coupe	E46	98 - 05	80 084 09	37)	81 084 11	
3-Series Touring	E46	00 - 05	80 084 09		81 084 12	
3-Series	E90	05 -	80 084 13	37)	81 084 23	
3-Series Cabriolet	E93	07 -	80 084 13	37)	81 084 26	
3-Series Coupe	E92	06 -	80 084 13	37)	81 084 27	
3-Series Touring	E91	05 -	80 084 13		81 084 28	
<b>5-Series</b>						
5-Series	E28	7/81 - 12/87	80 084 02			
5-Series, without spoiler	E34	1/88 - 11/95	80 084 03		81 084 03	
5-Series, with spoiler	E34	1/88 - 11/95	80 084 03		81 084 04	
5-Series Touring, left side	E34	1/88 - 11/95	80 084 03		81 084 06	
5-Series Touring, right side	E34	1/88 - 11/95	80 084 03		81 084 05	
5-Series	E39	11/95 - 05/03	80 084 08		81 084 16	
5-Series Touring, for the rear window	E39	1/97 - 03/04	80 084 08		81 084 17	
5-Series	E60	03 -	80 084 14			
5-Series Touring	E61	04 -	80 084 14			
<b>6-Series</b>						
6-Series	E24	4/76 - 8/86	80 084 04			
6-Series	E63	04 -	80 084 15		81 084 29	
6-Series Cabriolet	E64	04 -	80 084 15			
<b>7-Series</b>						
7-Series	E23	5/77 - 8/86	80 084 04			
7-Series	E32	87 - 9/94	80 084 05		81 084 07	
7-Series, with steel bonnet	E38	10/94 - 01	80 084 06		81 084 14	
7-Series	E65/E66	02 -	80 084 16			
<b>X3</b>						
X3	E83	04 -	80 084 17		81 084 30	
<b>X5</b>						
X5, upper rear gate	E53	1/00 - 07	80 084 10		81 084 18	
X5	E70	07 -	80 084 18			
<i>BMW continues...</i>						

Make / Model	Type	Year	Front	Notes	Rear	Notes
<i>BMW continued</i>						
<b>Z3</b>						
Z3	E36	10/95 - 03/03	80 084 11		81 084 19	
Z3 Coupe	E36	7/97 - 10/02	80 084 11			
<b>Z4</b>						
Z4	E85	03 -	80 084 19		81 084 31	
Z4 Coupe	E86	06 -	80 084 19			

**CHEVROLET****142**

<b>Kalos</b>						
Kalos		03 - 08			81 142 04	
<b>Lacetti</b>						
Lacetti		03 -			81 142 00	
Lacetti Station Wagon		05 -			81 142 01	
<b>Matiz</b>						
Matiz		05 -			81 142 02	
<b>Nubira</b>						
Nubira Hatchback		03 -			81 142 00	
Nubira Station Wagon		05 -			81 142 01	
<b>Rezzo</b>						
Rezzo		00 - 07			81 142 03	
<b>Tacuma</b>						
Tacuma		00 - 07			81 142 03	

**CITROËN****156**

<b>AX</b>						
AX	ZA	87 - 96			81 156 00	
<b>Berlingo</b>						
Berlingo	MF	10/96 - 08			81 156 22	
Berlingo Multispace		08 -			81 156 22	
<b>BX</b>						
BX	XB	10/82 - 2/93			81 156 01	
BX GT	XB	6/84 - 2/93			81 156 02	
BX Gti / Turbo / 16V	XB	6/84 - 90			81 156 03	
BX Gti / Turbo / 16V	XB	90 - 2/93			81 156 04	
BX Break	XB	4/85 - 93			81 156 05	
<b>CX</b>						
CX		8/74 - 12/92			81 156 06	
CX Break		6/75 - 12/92			81 156 07	
<b>C1</b>						
C1		05 -			81 156 52	
<b>C2</b>						
C2		9/03 -			81 156 33	
<b>C3</b>						
C3		2/02 -			81 156 30	
<b>C4</b>						
C4, 5 door		11/04 -			81 156 37	
C4 Coupe, 3 door, without spoiler		11/04 -			81 156 39	
C4 Coupe, 3 door, with spoiler		11/04 -			81 156 38	
<i>Citroën continues...</i>						

Make / Model	Type	Year	Front	Notes	Rear	Notes
<i>Citroën continued</i>						
<b>C4 Picasso</b>						
C4 Picasso, without opening rear window		2/07 -			81 156 53	
C4 Picasso, with opening rear window		2/07 -			81 156 45	
C4 Picasso, for the rear window		2/07 -			81 156 46	
<b>C4 Grand Picasso</b>						
C4 Grand Picasso, without opening rear window		10/06 -			81 156 42	
C4 Grand Picasso, with opening rear window		10/06 -			81 156 43	
C4 Grand Picasso, for the rear window		10/06 -			81 156 44	
<b>C5</b>						
C5 Hatchback		3/01 - 8/04	80 156 03		81 156 32	
C5 Hatchback		9/04 - 1/08	80 156 03		81 156 40	
C5 Break, for the rear window		6/01 - 1/08	80 156 03		81 156 31	
C5	X7	2/08 -			81 156 51	
C5 Tourer	X7	2/08 -			81 156 50	
<b>C6</b>						
C6		05 -	80 156 04		81 156 41	
<b>C8</b>						
C8		6/02 -			81 156 34	
<b>C-Crosser</b>						
C-Crosser, left side		07 -			81 156 48	
C-Crosser, right side		07 -			81 156 49	
<b>Dispatch</b>						
Dispatch		1/07 -			81 156 47	
<b>Evasion</b>						
Evasion	22	6/94 - 03/02			81 156 23	3)
Evasion	22	6/94 - 03/02			81 156 24	4)
Evasion	22	6/94 - 03/02			81 156 25	5)
<b>GS</b>						
GS Break		74 - 79			81 156 17	
<b>GSA</b>						
GSA		79 - 7/86			81 156 08	
GSA Break		79 - 7/86			81 156 09	
<b>Jumpy</b>						
Jumpy		1/07 -			81 156 47	
<b>LN</b>						
LN / LNA		- 4/85			81 156 10	
<b>Saxo</b>						
Saxo	S0 / S1	5/96 - 9/03			81 156 26	
<b>Visa</b>						
Visa		9/78 - 3/91			81 156 11	
<b>Xantia</b>						
Xantia Berlina	X1	3/93 - 1/98			81 156 18	
Xantia Break	X1	6/95 - 1/98			81 156 19	
Xantia Berline, without spoiler	X2	1/98 - 01			81 156 27	
Xantia Berline, with spoiler	X2	1/98 - 01			81 156 28	
Xantia Break	X2	1/98 - 01			81 156 19	
<b>XM</b>						
XM	Y3 / Y4	5/89 - 00	80 156 00		81 156 12	
XM Break	Y3 / Y4	11/91 - 00	80 156 00		81 156 13	
<i>Citroën continues...</i>						



Make / Model	Type	Year	Front	Notes	Rear	Notes
<i>Citroën continued</i>						
<b>Xsara</b>						
Xsara	N0/N1	97 - 9/00	80 156 01		81 156 20	
Xsara	N0/N1	9/00 - 05	80 156 02		81 156 20	
Xsara Break	N2	97 - 9/00	80 156 01		81 156 29	
Xsara Break	N2	9/00 - 05	80 156 02		81 156 29	
Xsara Picasso	N68	2/00 -			81 156 35	
<b>ZX</b>						
ZX, without rear wiper	N2	9/91 - 98			81 156 14	
ZX, with rear wiper	N2	9/91 - 98			81 156 15	
ZX Break	N2	10/93 - 98			81 156 36	

**DAEWOO****177**

<b>Kalos</b>						
Kalos		03 - 08			81 177 08	
<b>Lacetti</b>						
Lacetti		03 -			81 177 03	
Lacetti Station Wagon		05 -			81 177 04	
<b>Lanos</b>						
Lanos	KLAT	5/97 - 03			81 177 00	
<b>Matiz</b>						
Matiz	KLYA	9/98 - 05			81 177 01	
Matiz		05 -			81 177 05	
<b>Nubira</b>						
Nubira Hatchback	KLAJ	97 - 7/03			81 177 07	
Nubira Hatchback	KLAN	7/03 -			81 177 03	
Nubira Wagon	KLAJ	5/97 - 03			81 177 02	
Nubira Station Wagon		05 -			81 177 04	
<b>Rezzo</b>						
Rezzo		00 - 07			81 177 06	
<b>Tacuma</b>						
Tacuma		00 - 07			81 177 06	

**DAIHATSU****191**

<b>Applause</b>						
Applause, left side	A101/A111	6/89 - 7/97			81 191 02	
Applause, right side	A101/A111	6/89 - 7/97			81 191 00	
<b>Charade</b>						
Charade, left side	G10	3/87 - 1/93			81 191 06	
Charade, right side	G10	3/87 - 1/93			81 191 04	
Charade, left side	G20	3/93 - 01			81 191 07	
Charade, right side	G20	3/93 - 01			81 191 05	
<b>Cuore</b>						
Cuore		10/98 - 12/02			81 191 08	
<b>Sirion</b>						
Sirion, left side	M1	4/98 - 1/05			81 191 11	
Sirion, right side	M1	4/98 - 1/05			81 191 10	

Make / Model	Type	Year	Front	Notes	Rear	Notes
<b>FIAT</b>						<b>261</b>
<b>127</b>						
127 3 doors		4/72 - 3/77			81 261 01	
127 5 doors		4/77 - 9/81			81 261 09	
127 3 doors		10/81 - 84			81 261 00	
127 Panorama		10/82 - 86			81 261 01	
<b>128</b>						
128 Estate		69 - 12/84			81 261 02	
<b>131</b>						
131 Panorama		74 - 3/87			81 261 18	
<b>Barchetta</b>						
Barchetta	183	4/95 - 05			81 261 24	
<b>Brava</b>						
Brava	182	9/95 - 01			81 261 22	
<b>Bravo</b>						
Bravo	182	9/95 - 01			81 261 23	
<b>Cinquecento</b>						
Cinquecento	170	7/91 - 98			81 261 19	
<b>Coupe</b>						
Coupe, left side	FA/175	11/93 - 00	80 261 01			
Coupe, right side	FA/175	11/93 - 00	80 261 03			
<b>Croma</b>						
Croma, without spoiler	154	86 - 96			81 261 04	
Croma	194	6/05 -			81 261 41	
Croma Van	194	6/05 -			81 261 41	
<b>Doblo</b>						
Doblo	119	00 -			81 261 38	
Doblo Cargo	223	00 -			81 261 38	
<b>Ducato</b>						
Ducato		5/81 - 94			81 261 05	
<b>Grande Punto</b>						
Grande Punto	199	10/05 -			81 261 45	
<b>Idea</b>						
Idea	135/235	03 -			81 261 40	
<b>Marea</b>						
Marea Weekend	185	9/96 - 10/02			81 261 25	
<b>Multipla</b>						
Multipla	186	4/99 -	80 261 02		81 261 29	
<b>Palio</b>						
Palio Hatchback	178BX	4/96 - 01			81 261 34	
Palio Weekend	178DX	4/96 - 01			81 261 30	
<b>Panda</b>						
Panda	141 A	8/79 - 12/85			81 261 06	31)
Panda	141 A	85 - 04			81 261 35	30)
Panda Van		85 - 04			81 261 35	30)
Panda	169	03 -			81 261 39	
<b>Punto</b>						
Punto	176	1/94 - 00			81 261 07	
Punto, 3 doors	188	9/99 -			81 261 26	
Punto, 5 doors	188	9/99 -			81 261 36	
<i>Fiat continues...</i>						

Make / Model	Type	Year	Front	Notes	Rear	Notes
<i>Fiat continued</i>						
<b>Regatta</b>						
Regatta Weekend		4/84 - 7/89			81 261 08	
<b>Ritmo</b>						
Ritmo		79 - 1/83			81 261 09	
Ritmo		1/83 - 88			81 261 02	
<b>Scudo</b>						
Scudo		07 -			81 261 47	
Scudo Van		07 -			81 261 47	
<b>Seicento</b>						
Seicento	187	1/98 - 05			81 261 27	
<b>Stilo</b>						
Stilo, 3 doors	192	10/01 - 07	80 261 00		81 261 31	
Stilo, 5 doors	192	10/01 - 07	80 261 00		81 261 32	
Stilo Multiwagon, with tailgate keyhole	192	10/01 - 08	80 261 00		81 261 37	
Stilo Multiwagon, without tailgate keyhole, without opening rear window	192	10/01 - 08	80 261 00		81 261 42	
Stilo Multiwagon, without tailgate keyhole, with opening rear window	192	10/01 - 08	80 261 00		81 261 43	
Stilo Multiwagon, for the rear window	192	10/01 - 08	80 261 00		81 261 44	
<b>Temptra</b>						
Temptra Weekend	159	6/90 - 8/96			81 261 20	
<b>Tipo</b>						
Tipo	160	88 - 3/93			81 261 11	
Tipo	160	3/93 - 95			81 261 12	
<b>Ulysse</b>						
Ulysse	220	6/94 - 02			81 261 21	
Ulysse	179AX	8/02 - 07			81 261 28	
<b>Uno</b>						
Uno	146	1/83 - 8/89			81 261 13	
Uno	146	9/89 - 12/93			81 261 14	
Uno Turbo ie	146	4/85 - 9/93			81 261 15	

**FORD****275**

<b>Escort</b>						
Escort, without rear wiper		81 - 90			81 275 00	
Escort, with rear wiper		81 - 90			81 275 01	
Escort XR3		81 - 90			81 275 03	
Escort Cabrio		81 - 90			81 275 15	
Escort Estate, without rear wiper		81 - 90			81 275 04	
Escort Estate, with rear wiper		81 - 90			81 275 05	
Escort Estate, without rear wiper, with loudspeaker		81 - 90			81 275 06	
Escort Estate, with rear wiper and loudspeaker		81 - 90			81 275 07	
Escort Cabriolet		7/90 - 12/92			81 275 40	
Escort, without rear wiper		91 - 8/92			81 275 08	
Escort, with rear wiper		91 - 8/92			81 275 09	
Escort XR3i		91 - 8/92			81 275 10	
Escort, without rear spoiler		9/92 - 00			81 275 12	
Escort, with rear spoiler		9/92 - 00			81 275 13	
Escort Estate		91 - 00			81 275 11	
<i>Ford continues...</i>						

Make / Model	Type	Year	Front	Notes	Rear	Notes
<i>Ford continued</i>						
<b>Fiesta</b>						
Fiesta	FB	76 - 7/83			81 275 16	
Fiesta, without rear wiper	FB	8/83 - 3/89			81 275 17	
Fiesta, with rear wiper	FB	8/83 - 3/89			81 275 18	
Fiesta, without rear wiper	FA/FB	4/89 - 4/93			81 275 19	
Fiesta, with rear wiper	FA/FB	4/89 - 4/93			81 275 20	
Fiesta, without rear wiper	FA/FB	4/93 - 12/95			81 275 21	
Fiesta, with rear wiper	FA/FB	4/93 - 12/95			81 275 22	
Fiesta, without rear wiper	JAS/JBS	1/96 - 01			81 275 41	
Fiesta, with rear wiper	JAS/JBS	1/96 - 01			81 275 14	
Fiesta, 3 doors	JH	11/01 -			81 275 62	
Fiesta, 5 doors	JH	11/01 -			81 275 56	
Fiesta Van	JH	11/01 -			81 275 62	
<b>Focus</b>						
Focus Hatchback	DA/DB	10/98 - 12/00			81 275 47	
Focus Hatchback	DA/DB	12/00 - 11/04			81 275 57	
Focus Saloon	DF	2/99 - 7/04			81 275 54	
Focus Estate	DN	2/99 - 7/04			81 275 48	
Focus Hatchback	D3/D5	11/04 -			81 275 59	
Focus Saloon	D4	9/05 -			81 275 61	
Focus Estate	DW	1/05 -			81 275 60	
<b>Focus C-MAX</b>						
Focus C-MAX	DM	10/03 -			81 275 58	
<b>Fusion</b>						
Fusion	JU	8/02 -			81 275 55	
<b>Galaxy</b>						
Galaxy	WGR	11/95 - 06	80 275 02		81 275 49	
Galaxy	CA1	06 -			81 275 63	
<b>Granada</b>						
Granada Estate	GC/GF	71 - 85			81 275 23	
<b>KA</b>						
KA, with rear wiper	RBT	97 -			81 275 39	
Street KA	RL	12/02 - 06			81 275 65	
<b>Mondeo</b>						
Mondeo Saloon, without rear spoiler	GBP	93 - 01			81 275 42	
Mondeo Saloon, with rear spoiler	GBP	93 - 01			81 275 43	
Mondeo Hatchback, without rear spoiler	GBP	93 - 01			81 275 24	
Mondeo Hatchback, with rear spoiler	GBP	93 - 01			81 275 25	
Mondeo Estate	BNP	93 - 01			81 275 27	
Mondeo Saloon	B4Y	01 - 07	80 275 01		81 275 50	
Mondeo Hatchback	B5Y	01 - 07	80 275 01		81 275 51	
Mondeo Estate	BWY	01 - 07	80 275 01		81 275 52	
Mondeo Saloon	BD	3/07 -			81 275 68	
Mondeo Hatchback, without rear spoiler	BE	3/07 -			81 275 66	
Mondeo Hatchback, with rear spoiler	BE	3/07 -			81 275 67	
Mondeo Estate	BG	3/07 -			81 275 69	
<b>Orion</b>						
Orion, without electrical connector	AF	4/86 - 90			81 275 29	
<b>Puma</b>						
Puma	ECT	10/97 - 02			81 275 46	
<b>Scorpio</b>						
Scorpio Hatchback, without rear spoiler	GA/GF	85 - 94			81 275 31	
Scorpio Hatchback, with rear spoiler and rear wiper	GA/GF	85 - 94			81 275 32	
Scorpio Estate	GGE	5/88 - 94			81 275 33	
Scorpio	GFR/GGR	10/94 - 11/97	80 275 00			
Scorpio Estate	GNR	10/94 - 8/98	80 275 00		81 275 33	
<i>Ford continues...</i>						

Make / Model	Type	Year	Front	Notes	Rear	Notes
<i>Ford continued</i>						
<b>Sierra</b>						
Sierra, without rear wiper	BA/BB	82 - 93			81 275 34	
Sierra, with rear wiper	BA/BB	82 - 93			81 275 35	
Sierra XR4	BA/BB	82 - 93			81 275 36	
Sierra Estate, without loudspeaker	BN	5/84 - 93			81 275 37	
Sierra Estate, with loudspeaker	BN	5/84 - 93			81 275 38	
<b>S-MAX</b>						
S-MAX	WS	06 -			81 275 64	
<b>Tourneo Connect</b>						
Tourneo Connect	TC7	5/02 -			81 275 70	
<b>Transit</b>						
Transit, without rear wiper		11/85 - 00			81 275 44	
Transit, with rear wiper		11/85 - 00			81 275 45	
Transit	FY/GY	3/00 - 06			81 275 53	
Transit	TT9	06 -			81 275 53	
<b>Transit Connect</b>						
Transit Connect	TC7	5/02 -			81 275 70	
<b>HONDA</b>						<b>357</b>
<b>Accord</b>						
Accord Aerodeck	AC/AD	84 - 8/85			81 357 00	
Accord Aerodeck, left side	CA	9/85 - 89			81 357 01	
Accord Aerodeck, right side	CA	9/85 - 89			81 357 02	
Accord Aerodeck, left side	CB	90 - 93			81 357 03	
Accord Aerodeck, right side	CB	90 - 93			81 357 04	
Accord Aerodeck, left side	CC	94 - 97			81 357 05	
Accord Aerodeck, right side	CC	94 - 97			81 357 06	
Accord Hatchback	CH	12/99 - 2/03			81 357 17	
<b>Civic</b>						
Civic	AL/AG/AJ/AH	10/83 - 10/87			81 357 20	
Civic	EC/ED/EE	10/87 - 9/91			81 357 21	
Civic Crx	EC/ED/EH	88 - 91			81 357 07	
Civic Crx	EG/EH	92 - 96			81 357 08	
Civic, 5 doors	MA/MB	9/94 - 1/97			81 357 12	
Civic, 3 doors, left Side	EJ/EK	11/95 - 2/01			81 357 13	
Civic, 3 doors, right Side	EJ/EK	11/95 - 2/01			81 357 14	
Civic Aerodeck	MC	4/98 - 2/01			81 357 18	
Civic, 3-doors	EU/EP	2/01 - 12/05			81 357 23	
Civic, 5-doors	EU/EP	2/01 - 12/05			81 357 22	
Civic Hatchback		9/05 -			81 357 29	
Civic Shuttle	EE	88 - 91			81 357 09	
Civic Shuttle, left side	RA	95 - 97			81 357 10	
Civic Shuttle, right side	RA	95 - 97			81 357 11	
<b>Concerto</b>						
Concerto	HW	8/89 - 3/95			81 357 25	
<b>CR-V</b>						
CR-V, for the rear window		7/02 - 9/06			81 357 30	
<b>HR-V</b>						
HR-V	GH	3/99 - 06			81 357 26	
<b>Jazz</b>						
Jazz, left side	GD	3/02 -			81 357 16	
Jazz, right side	GD	3/02 -			81 357 15	
<b>Stream</b>						
Stream, left Side	RN	5/01 - 05			81 357 28	
Stream, right Side	RN	5/01 - 05			81 357 27	

Make / Model	Type	Year	Front	Notes	Rear	Notes
<b>HYUNDAI</b>						<b>372</b>
<b>Accent</b>						
Accent 3 doors	X-3	10/94 - 1/00			81 372 00	
Accent, left side, without spoiler	LC	9/99 - 8/02			81 372 09	
Accent, right side, without spoiler	LC	9/99 - 8/02			81 372 10	
Accent, left side, with spoiler	LC	9/99 - 8/02			81 372 13	
Accent, right side, with spoiler	LC	9/99 - 8/02			81 372 14	
Accent, left side, without spoiler	LC	8/02 - 3/06			81 372 11	
Accent, right side, without spoiler	LC	8/02 - 3/06			81 372 12	
Accent, left side, with spoiler	LC	8/02 - 3/06			81 372 15	
Accent, right side, with spoiler	LC	8/02 - 3/06			81 372 16	
<b>Atos</b>						
Atos, left side	MX	2/98 -			81 372 01	
Atos, right side	MX	2/98 -			81 372 02	
Atos Prime, left side	MX	8/99 -			81 372 06	
Atos Prime, right side	MX	8/99 -			81 372 05	
<b>Getz</b>						
Getz	TB	5/02 -			81 372 17	
<b>H-100</b>						
H-100, left side	P	7/93 - 3/00			81 372 03	
H-100, right side	P	7/93 - 3/00			81 372 04	
<b>Lantra</b>						
Lantra Wagon	J2	2/96 - 01			81 372 07	
<b>Matrix</b>						
Matrix	FC	7/01 -			81 372 18	
<b>Santa Fe</b>						
Santa Fe	SM	8/00 - 06	80 372 00		81 372 20	
Santa Fe, for the rear window	SM	8/00 - 06	80 372 00		81 372 19	
Santa Fe 2.2D	CM	11/05 -	80 372 01		81 372 21	
Santa Fe 2.7 V6	CM	11/05 -	80 372 02		81 372 21	
<b>Terracan</b>						
Terracan, left side	HP	1/01 - 5/04	80 372 03		81 372 24	
Terracan, right side	HP	1/01 - 5/04	80 372 04		81 372 25	
Terracan, left side	HP	12/03 - 07	80 372 03		81 372 26	
Terracan, right side	HP	12/03 - 07	80 372 04		81 372 27	
<b>Trajet</b>						
Trajet	F0	3/00 -			81 372 08	
<b>Tuscon</b>						
Tuscon	JM	4/04 -			81 372 22	
Tuscon, for the rear window	JM	4/04 -			81 372 23	
<b>JAGUAR</b>						<b>414</b>
<b>XJ</b>						
XJ		10/86 -	80 414 01			
<b>XJS</b>						
XJS		9/75 - 5/91	80 414 00			

Make / Model	Type	Year	Front	Notes	Rear	Notes
<b>JEEP</b>						<b>421</b>
<b>Cherokee</b>						
Cherokee	XJ	97 - 01			81 421 00	
Cherokee	KJ	02 - 07	80 421 00		81 421 01	
<b>Grand Cherokee</b>						
Grand Cherokee	WJ/WG	00 - 04	80 421 01		81 421 02	53)
Grand Cherokee		05 - 07	80 421 02		81 421 03	
Grand Cherokee, for the rear window		05 - 07	80 421 02		81 421 04	
<b>KIA</b>						<b>442</b>
<b>Carens</b>						
Carens	FJ	4/02 - 8/06			81 442 09	
<b>Carnival</b>						
Carnival	FL	7/02 - 06	80 442 00		81 442 10	
<b>Clarus</b>						
Clarus, left side	K9A	7/96 - 6/98			81 442 03	
Clarus, right side	K9A	7/96 - 6/98			81 442 02	
Clarus Estate, left side	GC	5/98 - 01			81 442 01	
Clarus Estate, right side	GC	5/98 - 01			81 442 00	
<b>Picanto</b>						
Picanto, left side	BC/SA	3/04 -			81 442 11	
Picanto, right side	BC/SA	3/04 -			81 442 12	
<b>Pride</b>						
Pride	DA	1/90 - 02			81 442 04	
<b>Rio</b>						
Rio, left side	DC/FD	2/00 - 6/05			81 442 14	
Rio, right side	DC/FD	2/00 - 6/05			81 442 15	
Rio	BN/TC	4/05 -			81 442 13	
<b>Sedona</b>						
Sedona	FL	7/02 - 06	80 442 00		81 442 10	
<b>Sephia</b>						
Sephia, left side	FA	1/95 - 9/97			81 442 06	
Sephia, right side	FA	1/95 - 9/97			81 442 05	
Sephia, left side	FA	10/97 - 01			81 442 08	
Sephia, right side	FA	10/97 - 01			81 442 07	
<b>Sorento</b>						
Sorento	FY/GB/F1/BL	12/02 -	80 442 01		81 442 16	
Sorento, for the rear window	FY/GB/F1/BL	12/02 -	80 442 01		81 442 17	
<b>Sportage</b>						
Sportage, left side	FM/K00	94 - 5/03			81 442 18	
Sportage, right side	FM/K00	94 - 5/03			81 442 19	
Sportage	JE	8/04 -			81 442 20	
Sportage, for the rear window	JE	8/04 -			81 442 21	
<b>LADA</b>						<b>470</b>
<b>Samara</b>						
Samara		85 -			81 470 00	

Make / Model	Type	Year	Front	Notes	Rear	Notes
<b>LANCIA</b>						<b>484</b>
<b>Dedra</b>						
Dedra 1,8 / 2,0	835	90 - 7/99			81 484 00	
<b>Musa</b>						
Musa	184	04 -			81 484 03	
<b>Y</b>						
Y	840	95 - 03			81 484 02	
<b>Y10</b>						
Y10	156	85 - 12/95			81 484 01	
<b>LAND ROVER</b>						<b>757</b>
<b>Discovery</b>						
Discovery	LR3	10/04 -	80 757 01		81 757 17	
<b>Range Rover</b>						
Range Rover		- 94			81 757 10	
Range Rover	LP	9/94 - 3/02			81 757 16	
Range Rover	LM	3/02 -	80 757 02		81 757 18	
Range Rover Sport		05 -	80 757 01			
<b>MAZDA</b>						<b>554</b>
<b>121</b>						
121	DB	11/90 - 96			81 554 34	
121	JASM/JBSM/ZQ	1/96 - 00			81 554 35	
<b>2</b>						
2	DY	1/03 - 07			81 554 36	
<b>323</b>						
323, left side	BF	5/85 - 5/89			81 554 00	
323, right side	BF	5/85 - 5/89			81 554 01	
323 Estate, left side	BW	5/86 - 3/93			81 554 10	
323 Estate, right side	BW	5/86 - 3/93			81 554 11	
323, left side	BG	6/89 - 95			81 554 02	
323, right side	BG	6/89 - 95			81 554 03	
323 C, 3 doors, left side	BA	8/94 - 98			81 554 12	
323 C, 3 doors, right side	BA	8/94 - 98			81 554 13	
323 F, 5 doors, left side	BA	8/94 - 98			81 554 14	
323 F, 5 doors, right side	BA	8/94 - 98			81 554 15	
323 P, left side	BA	10/96 - 98			81 554 19	
323 P, right side	BA	10/96 - 98			81 554 18	
323 F, left side	BJ	9/98 - 8/03			81 554 21	
323 F, right side	BJ	9/98 - 8/03			81 554 20	
<b>3</b>						
3 Hatchback	BK	6/03 -			81 554 37	
<b>5</b>						
5, left side	CR	2/05 -			81 554 38	
5, right side	CR	2/05 -			81 554 39	
<b>626</b>						
626, left side	GC	9/82 - 9/87			81 554 04	
626, right side	GC	9/82 - 9/87			81 554 05	
626, left side	GD	10/87 - 12/91			81 554 06	
626, right side	GD	10/87 - 12/91			81 554 07	
<i>Mazda continues...</i>						



Make / Model	Type	Year	Front	Notes	Rear	Notes
<i>Mazda continued</i>						
626, left side	GE	92 - 97			81 554 08	
626, right side	GE	92 - 97			81 554 09	
626 Hatchback, left side	GF	5/97 - 3/02			81 554 27	
626 Hatchback, right side	GF	5/97 - 3/02			81 554 26	
626 Estate, left side	GV	9/87 - 2/98			81 554 16	
626 Estate, right side	GV	9/87 - 2/98			81 554 17	
626 Estate, left side	GW	2/98 - 3/02			81 554 25	
626 Estate, right side	GW	2/98 - 3/02			81 554 24	
<b>6</b>						
6 Hatchback	GG/GY	8/02 -			81 554 23	
6 Estate	GG/GY	8/02 -			81 554 22	
<b>Demio</b>						
Demio, left side	DW	8/98 - 2/03			81 554 29	
Demio, right side	DW	8/98 - 2/03			81 554 28	
<b>MPV</b>						
MPV, left side	LW	9/99 -			81 554 31	
MPV, right side	LW	9/99 -			81 554 30	
<b>Premacy</b>						
Premacy, left side	CP	7/99 - 05			81 554 33	
Premacy, right side	CP	7/99 - 05			81 554 32	
<b>MERCEDES</b>						<b>568</b>
<b>124 Series</b>						
200 - 300 Estate	S124	1/85 - 5/95			81 568 04	
<b>163 Series</b>						
M-Class	W163	2/98 - 06/05	80 568 05		81 568 07	
<b>164 Series</b>						
M-Class, left side	W164	7/05 -	80 568 08	9)	81 568 15	
M-Class, right side	W164	7/05 -	80 568 09	9)	81 568 16	
<b>168 Series</b>						
A-Class	W168	10/97 - 8/04			81 568 00	
<b>169 Series</b>						
A-Class	W169	9/04 -			81 568 10	
<b>170 Series</b>						
SLK	R170	9/96 - 4/04	80 568 11	9)	81 568 19	
<b>171 Series</b>						
SLK, left side	R171	3/04 -	80 568 12		81 568 20	
SLK, right side	R171	3/04 -	80 568 13		81 568 20	
<b>201 Series</b>						
190	W201	12/82 - 8/93	80 568 00			
<b>202 Series</b>						
C-Class	W202	6/93 - 5/00	80 568 01			
C-Class, Estate	S202	1/96 - 5/00	80 568 01		81 568 01	
<b>203 Series</b>						
C-Class, left side	W203	5/00 -	80 568 07	9)		
C-Class, right side	W203	5/00 -	80 568 06	9)		
C-Class Estate, left side	S203	5/00 -	80 568 07	9)	81 568 05	
C-Class Estate, right side	S203	5/00 -	80 568 06	9)	81 568 05	
<i>Mercedes continues...</i>						

Make / Model	Type	Year	Front	Notes	Rear	Notes
<i>Mercedes continued</i>						
<b>208 Series</b>						
CLK	C208	6/97 - 6/02	80 568 03			
<b>209 Series</b>						
CLK, left side	C209	6/02 -	80 568 07	9)		
CLK, right side	C209	6/02 -	80 568 06	9)		
CLK Cabriolet, left side	A209	2/03 - 4/07	80 568 07	9)	81 568 13	40)
CLK Cabriolet, right side	A209	2/03 - 4/07	80 568 06	9)	81 568 13	40)
CLK Cabriolet, left side	A209	2/07 -	80 568 07	9)	81 568 14	41)
CLK Cabriolet, right side	A209	2/07 -	80 568 06	9)	81 568 14	41)
<b>210 Series</b>						
E-Class	W210	6/95 - 3/02	80 568 02			
E-Class, Estate	S210	6/95 - 3/02	80 568 02		81 568 02	
<b>211 Series</b>						
E-Class	W211	7/02 -	80 568 04			
E-Class, Estate	S211	3/03 -	80 568 04			
<b>219 Series</b>						
CLS Coupe	C219	04 -	80 568 04			
<b>220 Series</b>						
S-Class, left side	W220	10/98 - 8/05	80 568 10		81 568 17	
S-Class, right side	W220	10/98 - 8/05	80 568 10		81 568 18	
<b>245 Series</b>						
B-Class, left side	W245	3/05 -			81 568 11	
B-Class, right side	W245	3/05 -			81 568 12	
<b>414 Series</b>						
Vaneo	414	2/02 -			81 568 09	
<b>638 Series</b>						
Vito	638	2/96 - 8/03			81 568 03	
<b>639 Series</b>						
Viano	639	9/03 -			81 568 08	
Vito	639	9/03 -			81 568 08	
<b>MG</b>						<b>585</b>
<b>ZR</b>						
ZR	RF	01 - 05			81 585 05	
<b>ZS</b>						
ZS	RT	01 - 05			81 585 06	
<b>ZT</b>						
ZT	RJ	01 - 05	80 585 00		81 585 07	
ZT Tourer	RJ	01 - 05	80 585 00		81 585 08	
<b>MINI</b>						<b>587</b>
<b>Mini</b>						
Mini	R50/R53	6/01 - 11/06	80 587 00		81 587 00	
Mini	R56	11/06 -	80 587 01		81 587 01	
Mini Cabriolet	R52	7/04 -	80 587 00			
Mini Clubman	R55	10/07 -	80 587 01			

Make / Model	Type	Year	Front	Notes	Rear	Notes
<b>MITSUBISHI</b>						<b>592</b>
<b>Carisma</b>						
Carisma Hatchback	DA0	7/95 -			81 592 01	
Carisma Hatchback, with spoiler	DA0	7/95 -			81 592 02	
<b>Colt</b>						
Colt, left side	C5	4/88 - 5/92			81 592 07	
Colt, right side	C5	4/88 - 5/92			81 592 05	
Colt	CA	4/92 - 4/96			81 592 03	
Colt, left side	CJ	11/95 - 3/04			81 592 06	
Colt, right side	CJ	11/95 - 3/04			81 592 04	
Colt	CZ	6/04 -			81 592 24	
<b>Galant</b>						
Galant Hatchback	E30	12/87 - 10/92			81 592 00	
Galant, left side	E5/E7/E8	11/92 - 8/96			81 592 10	
Galant, right side	E5/E7/E8	11/92 - 8/96			81 592 08	
Galant Estate, left side	EA	9/96 - 03			81 592 11	
Galant Estate, right side	EA	9/96 - 03			81 592 09	
<b>Lancer</b>						
Lancer Estate	CB/CD	12/92 -			81 592 12	
<b>Outlander</b>						
Outlander, left side	CU	03 - 07			81 592 20	
Outlander, right side	CU	03 - 07			81 592 21	
Outlander, left side	CW	07 -			81 592 22	
Outlander, right side	CW	07 -			81 592 23	
<b>Pajero</b>						
Pajero Sport	K90	9/98 -			81 592 25	
<b>Space Runner</b>						
Space Runner, left side	N1/N2	10/91 - 8/99			81 592 14	
Space Runner, right side	N1/N2	10/91 - 8/99			81 592 13	
<b>Space Star</b>						
Space Star	DG0	6/98 - 06			81 592 15	
<b>Space Wagon</b>						
Space Wagon, left side	N3/N4	10/91 - 10/98			81 592 18	
Space Wagon, right side	N3/N4	10/91 - 10/98			81 592 16	
Space Wagon, left side	N5	10/98 - 04			81 592 19	
Space Wagon, right side	N5	10/98 - 04			81 592 17	
<b>NISSAN</b>						<b>620</b>
<b>100</b>						
100NX, left side	B13	3/90 - 10/94			81 620 23	
100NX, right side	B13	3/90 - 10/94			81 620 22	
<b>Almera</b>						
Almera, left side	N15	9/95 - 7/00			81 620 27	
Almera, right side	N15	9/95 - 7/00			81 620 24	
Almera	N16	1/00 - 06			81 620 40	
Almera Tino, left side	V10	8/00 - 06			81 620 26	
Almera Tino, right side	V10	8/00 - 06			81 620 25	
<b>Bluebird</b>						
Bluebird	U11	84 - 86			81 620 00	
Bluebird Hatchback	T12	86 - 90			81 620 01	
<i>Nissan continues...</i>						

Make / Model	Type	Year	Front	Notes	Rear	Notes
<i>Nissan continued</i>						
<b>Micra</b>						
Micra, left side	K10	83 - 92			81 620 02	
Micra, right side	K10	83 - 92			81 620 03	
Micra, with rear wiper, left side	K11	8/92 - 02			81 620 18	
Micra, with rear wiper, right side	K11	8/92 - 02			81 620 19	
Micra, without rear wiper, left side	K11	8/92 - 02			81 620 20	
Micra, without rear wiper, right side	K11	8/92 - 02			81 620 21	
Micra	K12	1/03 -			81 620 38	
<b>Note</b>						
Note	E11	06 -			81 620 41	
<b>Pathfinder</b>						
Pathfinder, rear hatch	R50	9/97 - 3/05			81 620 28	
Pathfinder, rear window	R50	9/97 - 3/05			81 620 29	
<b>Primera</b>						
Primera Saloon, without rear spoiler	P10	90 - 9/96			81 620 04	
Primera Saloon, with rear spoiler	P10	90 - 9/96			81 620 05	
Primera Hatchback	P10	90 - 9/96			81 620 06	
Primera Estate	W10	90 - 9/96			81 620 07	
Primera Hatchback, without rear spoiler	P11	10/96 - 02			81 620 08	
Primera Hatchback, with rear spoiler	P11	10/96 - 02			81 620 16	
Primera Estate	P11	10/96 - 02			81 620 17	
Primera Saloon	P11	9/96 - 02			81 620 30	
Primera Saloon	P12	3/02 -			81 620 39	
Primera Hatchback	P12	7/02 -			81 620 36	
Primera Estate	P12	3/02 -			81 620 37	
<b>Serena</b>						
Serena	C23M	11/92 - 02			81 620 31	
<b>Sunny</b>						
Sunny Coupé	B11	82 - 1/86			81 620 09	
Sunny Coupé, with rear wiper	B12	2/86 - 90			81 620 10	
Sunny Coupé, with rear spoiler and rear wiper	B12	2/86 - 90			81 620 11	
Sunny Estate	B12	2/86 - 90			81 620 12	
Sunny Hatchback, without rear spoiler	N13	2/86 - 90			81 620 13	
Sunny Hatchback, with rear spoiler	N13	2/86 - 90			81 620 14	
Sunny Hatchback, 3-doors, left side	N14	10/90 - 5/95			81 620 33	
Sunny Hatchback, 3-doors, right side	N14	10/90 - 5/95			81 620 32	
Sunny Liftback, 5-doors, left side	N14	10/90 - 5/95			81 620 35	
Sunny Liftback, 5-doors, right side	N14	10/90 - 5/95			81 620 34	
Sunny Estate	Y10	91 - 9/95			81 620 15	
<b>X-Trail</b>						
X-Trail, left side	T30	6/01 - 9/03			81 620 44	
X-Trail, right side	T30	6/01 - 9/03			81 620 45	
X-Trail, left side	T30	9/03 - 07			81 620 42	
X-Trail, right side	T30	9/03 - 07			81 620 43	

## OPEL

## 634

<b>Agila</b>						
Agila, left side	H00	9/00 - 02			81 634 45	42)
Agila, right side	H00	9/00 - 02			81 634 44	42)
Agila, left side		02 - 08			81 634 57	43)
Agila, right side		02 - 08			81 634 58	43)
Agila, left side		08 -			81 634 65	
Agila, right side		08 -			81 634 66	
<i>Opel continues...</i>						

Make / Model	Type	Year	Front	Notes	Rear	Notes
<i>Opel continued</i>						
<b>Ascona</b>						
Ascona, without rear wiper	C	81 - 88			81 634 00	
Ascona, with rear wiper	C	81 - 88			81 634 01	
Ascona, with rear spoiler	C	81 - 88			81 634 02	
<b>Astra</b>						
Astra	F	9/91 - 98			81 634 03	
Astra Caravan, without rear loudspeaker	F	9/91 - 98			81 634 04	
Astra Caravan, with rear loudspeaker	F	9/91 - 98			81 634 05	
Astra Cabriolet	F	3/93 - 3/01			81 634 46	
Astra Classic	F	99 - 02			81 634 03	
Astra Classic Caravan	F	99 - 02			81 634 04	
Astra	G	98 - 3/04			81 634 35	
Astra Caravan	G	98 - 8/04			81 634 36	
Astra Cabriolet	G	01 - 05			81 634 59	
Astra, 3 doors	H	3/04 -	80 634 04		81 634 67	
Astra, 5 doors	H	3/04 -	80 634 04		81 634 54	
Astra Estate	H	8/04 -	80 634 04		81 634 53	
Astra Twin Top	H	9/05 -	80 634 04			
Astra Van	H	8/04 -	80 634 04		81 634 53	
<b>Calibra</b>						
Calibra	A	3/90 - 97			81 634 06	
<b>Corsa</b>						
Corsa, without rear wiper	A	83 - 92			81 634 07	
Corsa, with rear wiper	A	83 - 92			81 634 08	
Corsa, 3 doors, without rear wiper	B	93 - 00			81 634 09	
Corsa, 3 doors, with rear wiper	B	93 - 00			81 634 10	
Corsa, 5 doors	B	93 - 00			81 634 11	
Corsa	C	01 - 06			81 634 43	
Corsa, 3 doors	D	06 -			81 634 60	
Corsa, 5 doors	D	06 -			81 634 61	
<b>Frontera</b>						
Frontera, for the rear window	B	99 - 04			81 634 62	
<b>Kadett</b>						
Kadett City	C	73 - 79			81 634 12	
Kadett Caravan	C	73 - 78			81 634 13	
Kadett	D	79 - 8/84			81 634 14	6)
Kadett Caravan, without rear wiper	D	79 - 8/84			81 634 15	
Kadett Caravan, with rear wiper	D	79 - 8/84			81 634 16	
Kadett, without rear wiper	E	9/84 - 8/91			81 634 17	
Kadett, with rear wiper	E	9/84 - 8/91			81 634 18	
Kadett, with rear spoiler	E	9/84 - 8/91			81 634 19	
Kadett Caravan, without rear wiper	E	9/84 - 8/87			81 634 20	7)
Kadett Caravan, with rear wiper	E	9/84 - 8/87			81 634 21	7)
Kadett Caravan, without rear wiper	E	9/87 - 8/91			81 634 22	8)
Kadett Caravan, with rear wiper	E	9/87 - 8/91			81 634 23	8)
Kadett Cabriolet	E	10/86 - 2/93			81 634 47	
<b>Manta</b>						
Manta Coupe / Berlinetta	B	76 - 89			81 634 31	
<b>Meriva</b>						
Meriva		5/03 -			81 634 56	
<b>Monza</b>						
Monza Hatchback	A	78 - 86			81 634 33	
Monza Hatchback, with spoiler	A	81 - 86			81 634 34	
<b>Omega</b>						
Omega Saloon	A	9/86 - 91			81 634 48	10)
Omega Caravan, without loudspeakers	A	86 - 3/94			81 634 24	
Omega Caravan, with loudspeakers	A	86 - 3/94			81 634 25	
Omega Saloon	B	4/94 - 7/03	80 634 00		81 634 26	
Omega Caravan	B	4/94 - 7/03	80 634 00		81 634 27	
<i>Opel continues...</i>						

Make / Model	Type	Year	Front	Notes	Rear	Notes
<i>Opel continued</i>						
<b>Rekord</b>						
Rekord Caravan	E	78 - 86			81 634 28	
<b>Signum</b>						
Signum		5/03 -			81 634 55	
<b>Sintra</b>						
Sintra, left side		11/96 - 99			81 634 38	
Sintra, right side		11/96 - 99			81 634 39	
<b>Tigra</b>						
Tigra, left side		7/94 - 01			81 634 40	9)
Tigra, right side		7/94 - 01			81 634 40	
<b>Vectra</b>						
Vectra, without rear spoiler	A	88 - 95			81 634 29	
Vectra, with rear spoiler	A	88 - 95			81 634 30	
Vectra Hatchback	B	95 - 02	80 634 02		81 634 32	
Vectra Estate	B	11/96 - 02	80 634 02		81 634 37	
Vectra Saloon	C	4/02 -	80 634 03		81 634 50	
Vectra Hatchback	C	4/02 -	80 634 03		81 634 51	
Vectra Estate	C	10/03 -	80 634 03		81 634 63	
<b>Vivaro</b>						
Vivaro		8/01 -			81 634 52	
<b>Zafira</b>						
Zafira		4/99 - 05			81 634 42	
Zafira	B	05 -			81 634 64	
<b>PEUGEOT</b>						<b>667</b>
<b>104</b>						
104		77 - 87			81 667 00	
<b>106</b>						
106		92 - 4/96			81 667 01	
106	1	5/96 - 03			81 667 21	
<b>107</b>						
107		05 -			81 667 37	
<b>205</b>						
205		83 - 98			81 667 02	
205 Cabriolet		83 - 94			81 667 03	
<b>206</b>						
206		9/98 -			81 667 22	
206 CC		01 - 07			81 667 38	
206 Estate		7/02 - 07			81 667 29	
<b>207</b>						
207		06 -			81 667 44	
207 CC		07 -			81 667 46	
207 SW		07 -			81 667 47	
<b>305</b>						
305		77 - 90			81 667 04	
305 Break		80 - 88			81 667 05	
<b>306</b>						
306 Hatchback		93 - 02	80 667 02		81 667 06	
306 Saloon		6/94 - 02	80 667 02		81 667 28	
306 Break		2/97 - 02	80 667 02		81 667 23	
<i>Peugeot continues...</i>						

Make / Model	Type	Year	Front	Notes	Rear	Notes
<i>Peugeot continued</i>						
<b>307</b>						
307		8/00 - 07			81 667 30	
307 Estate		3/02 - 08			81 667 31	
<b>308</b>						
308		07 -			81 667 48	
308 SW		07 -			81 667 49	
<b>309</b>						
309		86 - 7/89			81 667 07	
309 Gti		86 - 7/89			81 667 08	
309		8/89 - 93			81 667 09	
309 Gti		8/89 - 95			81 667 10	
<b>405</b>						
405 Break		87 - 96			81 667 11	
<b>406</b>						
406 Saloon		97 - 99	80 667 01		81 667 17	
406 Saloon		99 - 5/04	80 667 01		81 667 33	
406 Break		10/96 - 5/04	80 667 01		81 667 19	
<b>407</b>						
407 Saloon		04 -			81 667 41	
407 Coupe		05 -			81 667 43	
407 SW		04 -			81 667 40	
407 SW, for the rear window		04 -			81 667 42	
<b>504</b>						
504 Break		73 - 86			81 667 12	
<b>505</b>						
505		84 - 93			81 667 14	
505 Break		83 - 93			81 667 15	
<b>604</b>						
604		6/74 - 86			81 667 16	
<b>605</b>						
605		90 - 6/94	80 667 00			
605		95 - 00	80 667 00		81 667 20	
<b>607</b>						
607		2/00 -	80 667 03		81 667 32	
<b>806</b>						
806	221	6/94 - 8/02			81 667 24	3)
806	221	6/94 - 8/02			81 667 25	4)
806	221	6/94 - 8/02			81 667 26	5)
<b>807</b>						
807		02 -			81 667 50	
<b>1007</b>						
1007		05 -			81 667 39	
<b>4007</b>						
4007, left side		07 -			81 667 35	
4007, right side		07 -			81 667 36	
<b>Expert</b>						
Expert Tepee		1/07 -			81 667 34	
<b>Partner</b>						
Partner		6/96 - 08			81 667 27	
Partner Tepee		08 -			81 667 27	

Make / Model	Type	Year	Front	Notes	Rear	Notes
<b>PORSCHE</b>						<b>697</b>
<b>911</b>						
911, without rear spoiler		68 - 8/89	80 697 00		81 697 00	
911, with rear spoiler		68 - 8/89	80 697 00		81 697 01	
<b>924</b>						
924		75 - 7/88	80 697 01		81 697 03	13)
<b>944</b>						
944		82 - 7/91	80 697 01		81 697 03	13)
<b>928</b>						
928		76 - 95	80 697 02		81 697 04	
<b>RENAULT</b>						<b>729</b>
<b>R5</b>						
R5		85 - 91			81 729 00	
<b>R11</b>						
R11		83 - 89			81 729 01	
<b>R14</b>						
R14		76 - 83			81 729 02	
<b>R18</b>						
R18 Break		79 - 86			81 729 03	
<b>R19</b>						
R19 Chamade Saloon		88 - 4/92			81 729 04	14)
R19 Chamade Saloon		11/93 - 12/95			81 729 24	
R19 Chamade Sport Saloon		88 - 4/92			81 729 11	
R19 Hatchback		88 - 4/92			81 729 05	
R19, 3-5 Doors		1/92 - 12/95			81 729 23	
R19 Sport Hatchback		88 - 4/92			81 729 12	
<b>R21</b>						
R21 Hatchback		9/89 - 9/95			81 729 13	
<b>Clio</b>						
Clio	B57 / C57	91 - 8/98			81 729 06	15)
Clio		9/98 - 05			81 729 17	
Clio	BR0/CR0	05 -			81 729 36	
<b>Espace</b>						
Espace	J11 / J13	7/84 - 12/90			81 729 07	
Espace	J63	1/91 - 92			81 729 18	
Espace	J63	92 - 96			81 729 19	
Espace	JE	11/96 - 10/02			81 729 20	
Espace, without opening rear window	JK0	11/02 -	80 729 00		81 729 30	
Espace, with opening rear window	JK0	11/02 -	80 729 00		81 729 31	
Espace, for the rear window	JK0	11/02 -	80 729 00		81 729 32	
<b>Kangoo</b>						
Kangoo		3/98 -			81 729 25	
<b>Laguna</b>						
Laguna Hatchback	B56	11/93 - 01			81 729 10	
Laguna Estate	K56	9/95 - 01			81 729 14	
Laguna Hatchback, without spoiler	B74	3/01 - 07			81 729 26	
Laguna Hatchback, with spoiler	B74	3/01 - 07			81 729 28	
Laguna Estate	K74	3/01 - 07			81 729 27	
<i>Renault continues...</i>						



Make / Model	Type	Year	Front	Notes	Rear	Notes
<i>Renault continued</i>						
<b>Megane</b>						
Megane	BA	1/96 - 01			81 729 15	
Megane Classic	LA	9/96 - 03			81 729 37	
Megane Coupe	DA	3/96 - 01			81 729 16	
Megane Grand tour	KA	1/97 - 01			81 729 21	
Megane Scenic	JA	1/97 - 01			81 729 22	
Megane	BM/CM	11/02 -			81 729 29	
Megane Coupe-Cabriolet	EM	03 -			81 729 38	
Megane Estate, without opening rear window	KM	03 -			81 729 39	
Megane Estate, with opening rear window	KM	03 -			81 729 40	
Megane Estate, for the rear window	KM	03 -			81 729 41	
Megane Saloon	LM	03 -			81 729 42	
<b>Modus</b>						
Modus, one piece tailgate	F/JP	04 -			81 729 43	
Modus, two piece tailgate	F/JP	04 -			81 729 44	
<b>Scenic</b>						
Scenic, without opening rear window	JM	6/03 -			81 729 33	
Scenic, with opening rear window	JM	6/03 -			81 729 34	
Scenic, for the rear window	JM	6/03 -			81 729 35	
Grand Scenic, without opening rear window	JM	04 -			81 729 33	
Grand Scenic, with opening rear window	JM	04 -			81 729 34	
Grand Scenic, for the rear window	JM	04 -			81 729 35	
<b>Twingo</b>						
Twingo	C06	93 -			81 729 08	
<b>ROVER</b>						<b>757</b>
<b>25</b>						
R25 Hatchback	RF	10/99 - 05			81 757 12	
<b>45</b>						
R45 Hatchback	RT	2/00 - 05			81 757 15	
<b>75</b>						
75	RJ	99 - 05	80 757 03		81 757 19	
75 Tourer	RJ	01 - 05	80 757 03		81 757 20	
<b>100</b>						
100		94 - 99			81 757 07	
<b>200</b>						
200 Hatchback, without spoiler		89 - 3/96			81 757 02	
200 Hatchback, with spoiler		89 - 3/96			81 757 03	
200 Hatchback	RF	11/95 - 3/00			81 757 12	
200 Cabriolet		92 - 99			81 757 13	
<b>400</b>						
400 Hatchback	RT	5/95 - 3/00			81 757 15	
400 Estate		5/95 - 3/00			81 757 14	
<b>800</b>						
800 Hatchback		86 - 91			81 757 04	
800 Hatchback, without spoiler		91 - 99	80 757 00		81 757 05	
800 Hatchback, with spoiler		91 - 99	80 757 00		81 757 06	
<b>Maxi</b>						
Maxi		4/69 - 10/81			81 757 00	
<b>Metro</b>						
Metro		3/82 - 4/90			81 757 01	
Metro Hatchback		5/90 - 95			81 757 07	
<i>Rover continues...</i>						

Make / Model	Type	Year	Front	Notes	Rear	Notes
<i>Rover continued</i>						
<b>Maestro</b>						
Maestro		84 - 93			81 757 08	
<b>Montego</b>						
Montego Estate		84 - 95			81 757 09	
<b>SD 1</b>						
SD 1		77 - 87			81 757 11	
<b>SAAB</b>						<b>778</b>
<b>9-3</b>						
9-3		3/98 - 02	80 778 02	30)	81 778 11	
9-3, with rear spoiler and rear wiper		3/98 - 02	80 778 02	30)	81 778 12	
9-3		3/98 - 02	80 778 03	31)	81 778 11	
9-3, with rear spoiler and rear wiper		3/98 - 02	80 778 03	31)	81 778 12	
9-3 Cabriolet, without rear spoiler		3/98 - 02	80 778 02	30)	81 778 20	
9-3 Cabriolet, without rear spoiler		3/98 - 02	80 778 03	31)	81 778 20	
9-3 Cabriolet, with rear spoiler		3/98 - 02	80 778 02	30)	81 778 21	
9-3 Cabriolet, with rear spoiler		3/98 - 02	80 778 03	31)	81 778 21	
9-3		9/02 -	80 778 05			
9-3 Cabriolet		8/03 -	80 778 05		81 778 18	
9-3 Estate		05 -	80 778 05		81 778 22	
<b>9-5</b>						
9-5		97 -	80 778 04		81 778 13	
9-5 Estate		10/98 -	80 778 04		81 778 14	16)
<b>99</b>						
99 Combi coupe		74 - 84			81 778 00	
<b>900</b>						
900 Combi coupe, without rear spoiler		79 - 93			81 778 00	
900 Combi coupe, with rear spoiler		79 - 93			81 778 01	
900, without rear spoiler		94 - 99	80 778 00		81 778 02	
900, with rear spoiler		94 - 99	80 778 00		81 778 03	
900 Cabriolet		94 - 98	80 778 00		81 778 19	
<b>9000</b>						
9000 CC, without rear spoiler		85 - 87	80 778 01		81 778 10	17)
9000 CC, with rear spoiler		85 - 87	80 778 01		81 778 04	17)
9000 CC, without rear spoiler		87 - 97	80 778 01		81 778 05	18)
9000 CC, with rear spoiler		87 - 97	80 778 01		81 778 06	18)
9000 CD		88 - 97	80 778 01		81 778 07	
9000 CS, without rear spoiler		91 - 97	80 778 01		81 778 08	18)
9000 CS, with rear spoiler		91 - 97	80 778 01		81 778 09	18)
<b>SEAT</b>						<b>829</b>
<b>Alhambra</b>						
Alhambra	7MS	4/96 -	80 829 02		81 829 04	
<b>Altea</b>						
Altea	5P1	04 -			81 829 14	
Altea XL	5P5	07 -			81 829 15	
<b>Arosa</b>						
Arosa	6H	5/97 - 5/03	80 829 00		81 829 05	
<i>Seat continues...</i>						

Make / Model	Type	Year	Front	Notes	Rear	Notes
<i>Seat continued</i>						
<b>Cordoba</b>						
Cordoba	6K2/C2	10/93 - 6/99			81 829 00	
Cordoba	6K2	6/99 - 10/02			81 829 07	
Cordoba Estate	6K5	8/96 - 03			81 829 06	
Cordoba	6L2	9/02 -			81 829 12	
<b>Ibiza</b>						
Ibiza	021A	6/84 - 5/93			81 829 03	
Ibiza	6K1	6/93 - 8/99			81 829 01	
Ibiza	6L	2/02 -			81 829 13	
<b>Leon</b>						
Leon	1M	10/99 - 8/05	80 829 01		81 829 08	
Leon	1P1	05 -			81 829 16	
<b>Malaga</b>						
Malaga	023A	5/85 - 12/93			81 829 09	
<b>Marbella</b>						
Marbella	28	8/86 - 10/98			81 829 10	
<b>Toledo</b>						
Toledo	1L	91 - 98			81 829 02	
Toledo	1M2	4/99 - 9/04	80 829 01		81 829 11	
Toledo	5P2	10/04 -			81 829 17	
<b>SKODA</b>						<b>857</b>
<b>Fabia</b>						
Fabia Hatchback / Estate	6Y2/6Y5	12/99 - 08			81 857 05	
Fabia Hatchback / Estate		3/07 -			81 857 06	
<b>Favorit</b>						
Favorit Hatchback / Estate		5/89 - 94			81 857 00	
<b>Felicia</b>						
Felicia Hatchback / Estate		10/94 - 01			81 857 02	
Felicia Van		95 - 01			81 857 01	
<b>Octavia</b>						
Octavia	1U	1/97 - 6/04			81 857 03	
Octavia Estate	1U	8/97 - 8/04			81 857 04	
Octavia, without rear spoiler	1Z3	6/04 -			81 857 07	
Octavia, with rear spoiler	1Z3	6/04 -			81 857 08	
Octavia Estate	1Z5	9/04 -			81 857 09	
<b>Superb</b>						
Superb	3U4	02 - 08	80 857 00		81 857 10	
<b>SMART</b>						<b>860</b>
<b>City-Coupe</b>						
City-Coupe		7/98 - 1/04			81 860 00	
<b>Forfour</b>						
Forfour		1/04 - 06			81 860 02	
<b>Fortwo</b>						
Fortwo Coupe		1/04 -			81 860 03	
<b>Roadster</b>						
Roadster		03 - 06	80 860 00			
Roadster Coupe		03 - 06	80 860 00		81 860 01	

Make / Model	Type	Year	Front	Notes	Rear	Notes
<b>SUBARU</b>						<b>883</b>
<b>Forester</b>						
Forester, left side	S10/SF	1/97 - 5/02			81 883 00	
Forester, right side	S10/SF	1/97 - 5/02			81 883 01	
Forester, left side	S11/SG	2/02 - 08			81 883 02	
Forester, right side	S11/SG	2/02 - 08			81 883 03	
<b>Impreza</b>						
Impreza Station Wagon	G10/GF	5/92 - 3/02			81 883 04	
Impreza Station Wagon	G11/GD/GG	4/00 - 08			81 883 05	
<b>SUZUKI</b>						<b>889</b>
<b>Alto</b>						
Alto, left side		6/82 - 06			81 889 01	
Alto, right side		6/82 - 06			81 889 00	
<b>Baleno</b>						
Baleno, left side	EG	3/96 - 02			81 889 05	
Baleno, right side	EG	3/96 - 02			81 889 04	
Baleno Estate, left side	EG	8/96 - 02			81 889 03	
Baleno Estate, right side	EG	8/96 - 02			81 889 02	
<b>Ignis</b>						
Ignis, left side	RG/FH/RM	00 - 07			81 889 10	
Ignis, right side	RG/FH/RM	00 - 07			81 889 11	
<b>Liana</b>						
Liana Estate, left side	ER	01 - 08			81 889 12	
Liana Estate, right side	ER	01 - 08			81 889 13	
<b>Swift</b>						
Swift, left side	EA	3/89 - 5/01			81 889 07	
Swift, right side	EA	3/89 - 5/01			81 889 06	
Swift, left side	RS/SG	05 -			81 889 14	
Swift, right side	RS/SG	05 -			81 889 15	
<b>Wagon R+</b>						
Wagon R+, left side	EM	2/98 - 5/00			81 889 09	
Wagon R+, right side	EM	2/98 - 5/00			81 889 08	
Wagon R+, left side	RB/MM	5/00 - 08			81 889 16	
Wagon R+, right side	RB/MM	5/00 - 08			81 889 17	
<b>TALBOT</b>						<b>895</b>
<b>1307, 1308, 1509, 1510</b>						
1307, 1308, 1509, 1510		75 - 4/84			81 895 00	
<b>Samba</b>						
Samba		10/81 - 86			81 895 02	
<b>TOYOTA</b>						<b>925</b>
<b>Auris</b>						
Auris		2/07 -			81 925 69	
<i>Toyota continues...</i>						

Make / Model	Type	Year	Front	Notes	Rear	Notes
<i>Toyota continued</i>						
<b>Avensis</b>						
Avensis Hatchback, left side	T22	97 - 1/03			81 925 32	
Avensis Hatchback, right side	T22	97 - 1/03			81 925 33	
Avensis Estate	T22	97 - 1/03			81 925 34	
Avensis Verso, left side	M20	5/01 - 06			81 925 40	
Avensis Verso, right side	M20	5/01 - 06			81 925 39	
Avensis Liftback, 5 doors	T25	1/03 -			81 925 57	
Avensis Estate	T25	1/03 -			81 925 58	
<b>Aygo</b>						
Aygo	B10	05 -			81 925 61	
<b>Camry</b>						
Camry Estate, left side	SV20 / SV21	12/86 - 9/91			81 925 00	
Camry Estate, right side	SV20 / SV21	12/86 - 9/91			81 925 01	
<b>Carina</b>						
Carina Liftback 5 doors	AT151/CT151	10/83 - 87			81 925 02	
Carina Liftback, 5 doors, left side	AT171/ST171	88 - 92			81 925 03	
Carina Liftback, 5 doors, right side	AT171/ST171	88 - 92			81 925 04	
Carina Estate, left side	AT171/ST171	88 - 92			81 925 05	
Carina Estate, right side	AT171/ST171	88 - 92			81 925 06	
Carina E Hatchback, left side	AT191/ST191	92 - 97			81 925 28	
Carina E Hatchback, right side	AT191/ST191	92 - 97			81 925 29	
Carina E Estate, left side	AT191/ST191	93 - 97			81 925 30	
Carina E Estate, right side	AT191/ST191	93 - 97			81 925 31	
<b>Celica</b>						
Celica, left side, without spoiler	ZZT23	8/99 - 9/05			81 925 62	
Celica, right side, without spoiler	ZZT23	8/99 - 9/05			81 925 63	
Celica, left side, with spoiler	ZZT23	8/99 - 9/05			81 925 64	
Celica, right side, with spoiler	ZZT23	8/99 - 9/05			81 925 65	
<b>Corolla</b>						
Corolla Estate	KE70/CE70	6/79 - 5/92			81 925 07	
Corolla Liftback	AE8/EE8/CE8	5/83 - 4/87			81 925 08	
Corolla 3 doors	EE80	5/83 - 4/87			81 925 09	
Corolla Hatchback, left side	AE92/CE90/EE90	5/87 - 92			81 925 10	
Corolla Hatchback, right side	AE92/CE90/EE90	5/87 - 92			81 925 11	
Corolla Glassback, left side	AE92/CE90/EE90	5/87 - 92			81 925 12	
Corolla Glassback, right side	AE92/CE90/EE90	5/87 - 92			81 925 13	
Corolla Estate, left side	AE92/CE90/EE90	5/87 - 92			81 925 14	
Corolla Estate, right side	AE92/CE90/EE90	5/87 - 92			81 925 15	
Corolla Hatchback, left side	EE10	5/92 - 6/97			81 925 35	
Corolla Hatchback, right side	EE10	5/92 - 6/97			81 925 36	
Corolla Liftback, left side	EE10	5/92 - 6/97			81 925 37	
Corolla Liftback, right side	EE10	5/92 - 6/97			81 925 38	
Corolla Estate, left side	E10	7/92 - 4/97			81 925 44	
Corolla Estate, right side	E10	7/92 - 4/97			81 925 43	
Corolla Hatchback, 3 doors, left side	E11	4/97 - 1/02			81 925 59	
Corolla Hatchback, 3 doors, right side	E11	4/97 - 1/02			81 925 60	
Corolla Liftback, 5 doors, left side	E11	4/97 - 1/02			81 925 48	38)
Corolla Liftback, 5 doors, right side	E11	4/97 - 1/02			81 925 47	38)
Corolla Liftback, 5 doors	E11	4/97 - 1/02			81 925 49	39)
Corolla Estate, left side	E11	4/97 - 1/02			81 925 45	
Corolla Estate, right side	E11	4/97 - 1/02			81 925 42	
Corolla Hatchback	E12	8/02 -			81 925 46	
Corolla Estate	E12	1/02 -			81 925 41	
Corolla Verso	E12	9/01 - 12/03			81 925 50	
Corolla Verso	R10	2/04 -			81 925 66	
<b>Hi-Ace</b>						
Hi-Ace		83 - 8/89			81 925 16	
Hi-Ace		8/89 - 1/05			81 925 18	
<i>Toyota continues...</i>						

Make / Model	Type	Year	Front	Notes	Rear	Notes
<i>Toyota continued</i>						
<b>Lite-Ace</b>						
Lite-Ace, left side		85 - 92			81 925 20	
Lite-Ace, right side		85 - 92			81 925 21	
<b>Picnic</b>						
Picnic, left side	M10	9/96 - 5/01			81 925 67	
Picnic, right side	M10	9/96 - 5/01			81 925 68	
<b>Previa</b>						
Previa, left side	CR	5/90 - 00			81 925 22	
Previa, right side	CR	5/90 - 00			81 925 23	
Previa, left side	ACR3	8/00 - 05			81 925 52	
Previa, right side	ACR3	8/00 - 05			81 925 51	
<b>Starlet</b>						
Starlet, left side	EP70-71	10/84 - 89			81 925 24	
Starlet, right side	EP70-71	10/84 - 89			81 925 25	
Starlet, left side	EP80	89 - 2/96			81 925 26	
Starlet, right side	EP80	89 - 2/96			81 925 27	
Starlet, left side	EP91	4/96 - 3/99			81 925 54	
Starlet, right side	EP91	4/96 - 3/99			81 925 53	
<b>Yaris</b>						
Yaris, left side	CP10	1/99 - 11/05			81 925 56	
Yaris, right side	CP10	1/99 - 11/05			81 925 55	
Yaris, left side	SP90	8/05 -			81 925 56	
Yaris, right side	SP90	8/05 -			81 925 55	

## VAUXHALL

634 / 946

<b>Agila</b>						
Agila, left side		9/00 - 02			81 634 45	42)
Agila, right side		9/00 - 02			81 634 44	42)
Agila, left side		02 - 08			81 634 57	43)
Agila, right side		02 - 08			81 634 58	43)
Agila, left side		08 -			81 634 65	
Agila, right side		08 -			81 634 66	
<b>Astra</b>						
Astra Hatchback	D	79 - 8/84			81 946 00	6)
Astra Estate, without rear wiper	D	79 - 8/84			81 946 26	
Astra Estate, with rear wiper	D	79 - 8/84			81 946 01	
Astra Hatchback, without rear wiper	E	9/84 - 8/91			81 946 33	
Astra Hatchback, with rear wiper	E	9/84 - 8/91			81 946 02	
Astra Hatchback SR1 / GTE, with rear wiper	E	9/84 - 8/91			81 946 03	
Astra Estate, without rear wiper	E	9/84 - 8/87			81 946 27	7)
Astra Estate, with rear wiper	E	9/84 - 8/87			81 946 04	7)
Astra Estate, without rear wiper	E	9/87 - 8/91			81 946 28	8)
Astra Estate, with rear wiper	E	9/87 - 8/91			81 946 05	8)
Astra Cabriolet	E	10/86 - 2/93			81 634 47	
Astra Hatchback	F	9/91 - 98			81 946 06	
Astra Estate, without rear loudspeaker	F	9/91 - 98			81 946 07	
Astra Estate, with rear loudspeaker	F	9/91 - 98			81 946 29	
Astra Cabriolet	F	3/93 - 3/01			81 634 46	
Astra	G	98 - 3/04			81 946 35	
Astra Estate	G	98 - 8/04			81 946 36	
Astra Cabriolet	G	01 - 05			81 634 59	
Astra, 3 doors	H	3/04 -	80 634 04		81 634 67	
Astra, 5 doors	H	3/04 -	80 634 04		81 634 54	
Astra Estate	H	8/04 -	80 634 04		81 634 53	
Astra Twin Top	H	9/05 -	80 634 04			
Astra Van	H	8/04 -	80 634 04		81 634 53	
<i>Vauxhall continues...</i>						

Make / Model	Type	Year	Front	Notes	Rear	Notes
<i>Vauxhall continued</i>						
<b>Calibra</b>						
Calibra	A	3/90 - 97			81 946 08	
<b>Carlton</b>						
Carlton Estate		78 - 86			81 946 23	
Carlton Saloon		86 - 91	80 946 00		81 946 09	
Carlton Estate, without rear loudspeaker		86 - 3/94	80 946 00		81 946 30	
Carlton Estate, with rear loudspeaker		86 - 3/94	80 946 00		81 946 10	
<b>Cavalier</b>						
Cavalier Hatchback, without rear wiper		81 - 88			81 946 24	
Cavalier Hatchback, with rear wiper		81 - 88			81 946 11	
Cavalier Hatchback, with rear spoiler		81 - 88			81 946 25	
Cavalier Hatchback, without rear spoiler		88 - 95			81 946 12	
Cavalier Hatchback, with rear spoiler		88 - 95			81 946 13	
<b>Corsa</b>						
Corsa, 3 doors, without rear wiper		93 - 00			81 946 31	
Corsa, 3 doors, with rear wiper		93 - 00			81 946 14	
Corsa, 5 doors		93 - 00			81 946 15	
Corsa		01 - 06			81 946 43	
Corsa, 3 doors		06 -			81 634 60	
Corsa, 5 doors		06 -			81 634 61	
<b>Frontera</b>						
Frontera, for the rear window	B	99 - 04			81 634 62	
<b>Meriva</b>						
Meriva		5/03 -			81 634 56	
<b>Midi</b>						
Midi Van		85 - 98			81 946 45	
<b>Nova</b>						
Nova Hatchback, without rear wiper		83 - 92			81 946 19	
Nova Hatchback, with rear wiper		83 - 92			81 946 20	
<b>Omega</b>						
Omega Saloon		94 - 7/03	80 946 01		81 946 32	
Omega Estate		94 - 7/03	80 946 01		81 946 21	
<b>Signum</b>						
Signum		5/03 -			81 634 55	
<b>Sintra</b>						
Sintra, left side		11/96 - 99			81 946 38	
Sintra, right side		11/96 - 99			81 946 39	
<b>Tigra</b>						
Tigra, left side		7/94 - 01			81 946 40	9)
Tigra, right side		7/94 - 01			81 946 40	
<b>Vectra</b>						
Vectra Hatchback		95 - 02	80 946 02		81 946 22	
Vectra Estate		11/96 - 02	80 946 02		81 946 37	
Vectra Saloon		4/02 -	80 634 03		81 634 50	
Vectra Hatchback		4/02 -	80 634 03		81 634 51	
Vectra Estate		10/03 -	80 634 03		81 634 63	
<b>Vivaro</b>						
Vivaro		8/01 -			81 634 52	
<b>Zafira</b>						
Zafira		4/99 - 05			81 946 42	
Zafira		05 -			81 634 64	

Make / Model	Type	Year	Front	Notes	Rear	Notes
<b>VOLKSWAGEN</b>						<b>950</b>
<b>Beetle</b>						
Beetle	1C	1/98 -	80 950 01		81 950 37	
Beetle Cabriolet	1Y7	1/03 -	80 850 01			
<b>Bora</b>						
Bora	1J2	10/98 - 5/05	80 950 14	47)52)	81 950 38	
Bora	1J2	10/98 - 5/05	80 950 10	48)49)	81 950 38	
Bora Variant	1J	8/97 - 5/05	80 950 14	47)52)	81 950 39	
Bora Variant	1J	8/97 - 5/05	80 950 10	48)49)	81 950 39	
<b>Caddy</b>						
Caddy, for vehicle with plastic hood	179	83 - 92			81 950 00	
Caddy Van	2KA	3/04 -	80 950 07		81 950 50	
Caddy Combi	2KB	3/04 -	80 950 07		81 950 50	
Caddy Maxi	2KH/2KJ	08 -	80 950 07		81 950 50	
<b>Corrado</b>						
Corrado	53	88 - 96			81 950 01	
<b>Fox</b>						
Fox	5Z	05 -			81 950 51	
<b>Golf</b>						
Golf 1	17	74 - 7/83			81 950 02	
Golf 1 Cabrio	155	79 - 93			81 950 07	
Golf 2	19	8/83 - 5/84			81 950 03	12)
Golf 2	19	6/84 - 8/91			81 950 04	19)
Golf 3	1HX	9/91 - 8/97			81 950 05	
Golf 3 Variant	1HX	9/91 - 11/98			81 950 06	
Golf 3 Cabrio	1HX	93 - 5/98			81 950 32	
Golf 4	1J	8/97 - 9/03	80 950 14	47)52)	81 950 33	
Golf 4	1J	8/97 - 9/03	80 950 10	48)49)	81 950 33	
Golf 4 Variant	1J	8/97 - 06	80 950 14	47)52)	81 950 33	
Golf 4 Variant	1J	8/97 - 06	80 950 10	48)49)	81 950 33	
Golf 4 Cabrio	1E	6/98 - 6/02	80 950 14	45)	81 950 52	
Golf 4 Cabrio	1E	6/98 - 6/02	80 950 10	46)	81 950 52	
Golf 5	1K1	10/03 -	80 950 05		81 950 45	
Golf 5 Variant	1K2	07 -	80 950 05		81 950 54	
<b>Golf Plus</b>						
Golf Plus	5M	05 -			81 950 53	
<b>Jetta</b>						
Jetta	1K2	05 -	80 950 05		81 950 55	
<b>Lupo</b>						
Lupo	6X	4/97 - 05	80 950 02		81 950 40	
Lupo, GTI, FSI, TDI	6X	4/97 - 05	80 950 03		81 950 41	
<b>Passat</b>						
Passat	32	74 - 8/77			81 950 08	20)
Passat	32	8/77 - 4/88			81 950 09	21)
Passat Variant	33	8/80 - 88			81 950 10	
Passat Variant	35	88 - 9/93			81 950 11	27)
Passat Variant	35	10/93 - 12/96			81 950 12	28)
Passat, without warning triangle	3B2	8/97 - 11/00	80 950 00		81 950 35	
Passat, with warning triangle	3B2	8/97 - 11/00	80 950 00		81 950 36	
Passat Variant	3B5	8/97 - 11/00	80 950 00		81 950 33	
Passat	3B3	11/00 - 2/05	80 950 04		81 950 60	
Passat Variant	3B6	11/00 - 7/05	80 950 04		81 950 44	
Passat	3C2	3/05 -	80 950 11		81 950 59	
Passat Variant	3C5	8/05 -	80 950 11		81 950 56	
<i>Volkswagen continues...</i>						



Make / Model	Type	Year	Front	Notes	Rear	Notes
<i>Volkswagen continued</i>						
<b>Polo</b>						
Polo	86	10/81 - 10/82			81 950 14	23)
Polo	86	10/82 - 4/86			81 950 15	24)
Polo	86	4/86 - 8/90			81 950 16	25)
Polo	86	10/90 - 8/94			81 950 17	26)
Polo Coupé	86	7/82 - 8/90			81 950 18	25)
Polo Coupé	86	10/90 - 8/94			81 950 10	26)
Polo Van	86CF	8/92 - 8/94			81 950 17	
Polo	6N	9/94 - 01			81 950 31	
Polo Classic	6K	11/95 - 12/99			81 950 42	54)
Polo Classic	6K	9/99 - 02			81 950 61	55)
Polo Variant	6K	5/97 - 9/01			81 950 43	
Polo	9N	10/01 -	80 950 08		81 950 48	
<b>Scirocco</b>						
Scirocco	53	74 - 12/80			81 950 28	
Scirocco, without spoiler	53	4/81 - 88			81 950 20	
Scirocco, with spoiler	53	4/81 - 88			81 950 21	
<b>Sharan</b>						
Sharan	7M	9/95 -	80 950 09		81 950 30	
<b>Touareg</b>						
Touareg, for the rear window	7L	02 -	80 950 12		81 950 57	
<b>Touran</b>						
Touran		2/03 - 12/06	80 950 07		81 950 47	
Touran		12/06 -	80 950 13		81 950 47	
<b>Transporter</b>						
Transporter, without rear wiper	T2	79 - 8/90			81 950 22	29)
Transporter, with rear wiper	T2	79 - 8/90			81 950 29	29)
Transporter, without rear wiper	T4	9/90 - 7/92			81 950 23	
Transporter, with rear wiper	T4	9/90 - 7/92			81 950 24	
Transporter, without rear wiper	T4	7/92 - 8/97			81 950 25	
Transporter, with rear wiper	T4	7/92 - 8/97			81 950 26	
Transporter	T5	4/03 -	80 950 06		81 950 46	33)
<b>Vento</b>						
Vento	1HX	9/91 - 8/97			81 950 27	
<b>VOLVO</b>						<b>958</b>
<b>145</b>						
145 Estate		67 - 74			81 958 01	
145 Express		67 - 74			81 958 02	
<b>245</b>						
245 Estate		75 - 78			81 958 04	30)
245 Estate		79 - 93			81 958 05	31)
<b>340/360</b>						
340 / 360, without rear spoiler		82 - 88			81 958 06	
340 / 360, with rear spoiler		76 - 88			81 958 07	
<b>440</b>						
440, without rear spoiler		88 - 7/96			81 958 08	
440, with rear spoiler		88 - 7/96			81 958 09	
<b>480</b>						
480		9/86 - 96			81 958 10	
<b>740</b>						
740, without rear spoiler		82 - 92	80 958 00		81 958 11	
740, with rear spoiler		82 - 92	80 958 00		81 958 12	
<i>Volvo continues...</i>						

Make / Model	Type	Year	Front	Notes	Rear	Notes
<i>Volvo continued</i>						
<b>745</b>						
745 Estate		83 - 95	80 958 00		81 958 13	
<b>760</b>						
760, without rear spoiler		82 - 92	80 958 00		81 958 11	
760, with rear spoiler		82 - 92	80 958 00		81 958 12	
<b>765</b>						
765 Estate		83 - 95	80 958 00		81 958 13	
<b>850</b>						
850, without rear spoiler		91 - 97			81 958 14	
850, with rear spoiler		91 - 97			81 958 15	
<b>855</b>						
855 Estate		93 - 97			81 958 16	
<b>940</b>						
940, without rear spoiler		90 - 97	80 958 00		81 958 17	
940, with rear spoiler		90 - 97	80 958 00		81 958 18	
<b>945</b>						
945 Estate		90 - 97	80 958 00		81 958 13	
<b>960</b>						
960, without rear spoiler		90 - 96	80 958 00		81 958 17	
960, with rear spoiler		90 - 96	80 958 00		81 958 18	
<b>965</b>						
965 Estate		90 - 96	80 958 00		81 958 13	
<b>C30</b>						
C30		06 -	80 958 05		81 958 30	
<b>S40</b>						
S40, without rear spoiler		7/95 - 12/03	80 958 01		81 958 19	
S40, with rear spoiler		7/95 - 12/03	80 958 01		81 958 20	
S40 II		1/04 -	80 958 05		81 958 28	
<b>V40</b>						
V40		7/95 - 04	80 958 01		81 958 21	
<b>V50</b>						
V50		4/04 -	80 958 05		81 958 29	
<b>S60</b>						
S60		11/00 - 04	80 958 02	31)	81 958 26	
S60		04 -	80 958 06	30)	81 958 26	
<b>C70</b>						
C70 Coupe		98 - 02			81 958 33	
C70 Cabriolet		06 -	80 958 05			
<b>S70</b>						
S70, without rear spoiler		1/97 - 00			81 958 22	
S70, with rear spoiler		1/97 - 00			81 958 23	
<b>V70</b>						
V70		1/97 - 00			81 958 16	
V70		3/00 - 04	80 958 02	31)	81 958 25	
V70		04 - 8/07	80 958 06	30)	81 958 25	
V70, with power opening tailgate		8/07 -	80 958 04		81 958 32	50)
V70, without power opening tailgate		8/07 -	80 958 04			
<i>Volvo continues...</i>						

Make / Model	Type	Year	Front	Notes	Rear	Notes
<i>Volvo continued</i>						
<b>XC70</b>						
XC70		98 - 00			81 958 16	
XC70		3/00 - 04	80 958 02	31)	81 958 25	
XC70		04 - 8/07	80 958 06	30)	81 958 25	
XC70, with power opening tailgate		8/07 -	80 958 04		81 958 32	51)
XC70, without power opening tailgate		8/07 -	80 958 04			
<b>S80</b>						
S80		6/98 - 3/06	80 958 02		81 958 24	
S80		3/06 -	80 958 04		81 958 31	
<b>S90</b>						
S90		1/97 - 99	80 958 00		81 958 18	
<b>V90</b>						
V90		1/97 - 99	80 958 00		81 958 13	
<b>XC 90</b>						
XC 90		10/02 -	80 958 03		81 958 27	

**GB**

- 1 Up to chassis.no -44F 115 150.
- 2 From chassis.no 44F115 151-.
- 3 Up to chassis.no -6944.
- 4 From chassis.nr 6945 - 7632.
- 5 From chassis.no 7633-.
- 6 Up to chassis.no -E5007044 / -EE105399.
- 7 Up to chassis.no -JE100000 / -J2502492.
- 8 From chassis.no JE100001- / J2502493-.
- 9 The original plastic tube must be used.
- 10 Up to chassis.no -N1145948.
- 12 Up to chassis.no -19E 780 000.
- 13 Not suitable for cars with electrical opening.
- 14 Not suitable for R19 Sport.
- 15 Not suitable for Baccara.
- 16 From chassis.no 23002609-.
- 17 Up to chassis.no -H1007931 / H000099.
- 18 From chassis.no H1007932 / H000100.
- 19 From chassis.no 19E 780 001-.
- 20 Up to chassis.no -327 2300 000.
- 21 From chassis.no 327 2300 001-.
- 23 From chassis.no 86B 150 001 - 86D 044 578.
- 24 From chassis.no 86D 044 579 - 86G 170 000.
- 25 From chassis.no 86G 170 001 - 80L 250 000.
- 26 From chassis.no 80MW 000 001 - 80RY 150 000.
- 27 From chassis.no 31J 000 001 - 31PE/PB 259 865.
- 28 From chassis.no 3ARE/PB 000 001-.
- 29 Not suitable for cars equipped with M308 (adjustable opening).
- 30 For cars equipped with 1 gas spring.
- 31 For cars equipped with 2 gas springs.
- 32 Not suitable for Coupe.
- 33 Not suitable for Multivan.
- 35 Up to chassis no. 4B-Y-130 134
- 36 From chassis no. 4B-Y-130 135
- 37 Not suitable for M3.
- 38 Only for vehicles with Chassis no. 3 at the 11th position.
- 39 Only for vehicles with Chassis no. E at the 11th position.
- 40 Up to chassis no. T 084580 / F229895
- 41 From chassis no. T 084581 / F229896
- 42 Up to chassis no. 2G056347
- 43 From chassis no. 2G056348
- 44 Not suitable for cars with powered closing.
- 45 Up to chassis no. 1E-1K010 829
- 46 From chassis no. 1E-1K010 830
- 47 Up to chassis no. 1J-1-560 000
- 48 From chassis no. 1J-1-560 001
- 49 Up to chassis no. 1J-4-225 000
- 50 Up to chassis no. 8073
- 51 Up to chassis no. 5894
- 52 From chassis no. 1J-4-225 001
- 53 The original end fittings must be re-used.
- 54 Up to chassis no. 6K-Y-502 794
- 55 From chassis no. 6K-Y-502 795

**SE**

- 1 Upp till chassis.no -44F 115 150.
- 2 Från chassi.nr 44F 115 151-.
- 3 Upp till chassi.nr -6944.
- 4 Från chassis.nr 6945 - 7632.
- 5 Från chassi.nr 7633-.
- 6 Upp till chassi.nr -E5007044 / -EE105399.
- 7 Upp till chassi.nr -JE100000 / -J2502492.
- 8 Från chassi.nr JE100001- / J2502493-.
- 9 Original plaströr måste användas.
- 10 Upp till chassi.nr -N1145948.
- 12 Upp till chassi.nr -19E 780 000.
- 13 Passar ej bilar med elektrisk öppning.
- 14 Passar ej R19 Sport.
- 15 Passar ej Baccara.
- 16 Från chassi.nr 23002609-.
- 17 Upp till chassi.nr -H1007931 / H000099.
- 18 Från chassi.nr H1007932 / H000100.
- 19 Från chassi.nr 19E 780 001-.
- 20 Upp till chassi.nr -327 2300 000.
- 21 Från chassi.nr 327 2300 001-.
- 23 Från chassi.nr 86B 150 001 - 86D 044 578.
- 24 Från chassi.nr 86D 044 579 - 86G 170 000.
- 25 Från chassi.nr 86G 170 001 - 80L 250 000.
- 26 Från chassi.nr 80MW 000 001 - 80RY 150 000.
- 27 Från chassi.nr 31J 000 001 - 31PE/PB 259 865.
- 28 Från chassi.nr 3ARE/PB 000 001-.
- 29 Passar ej bilar utrustade med M308 (justerbar öppning).
- 30 För bilar med 1 gasfjäder.
- 31 För bilar med 2 gasfjädrar.
- 32 Passar ej Coupe.
- 33 Passar ej Multivan.
- 35 Upp till chassi.nr 4B-Y-130 134
- 36 Från chassi.nr 4B-Y-130 135
- 37 Passar ej M3.
- 38 Passar endast fordon där 11:e tecknet i chassinumret är 3.
- 39 Passar endast fordon där 11:e tecknet i chassinumret är ett E.
- 40 Upp till chassi.nr T 084580 / F229895
- 41 Från chassi.nr T 084581 / F229896
- 42 Upp till chassi.nr 2G056347
- 43 Från chassi.nr 2G056348
- 44 Passar ej bilar med motordriven stängning.
- 45 Upp till chassi.nr 1E-1K010 829
- 46 Från chassi.nr 1E-1K010 830
- 47 Upp till chassi.nr 1J-1-560 000
- 48 Från chassi.nr 1J-1-560 001
- 49 Upp till chassi.nr 1J-4-225 000
- 50 Upp till chassi.nr 8073
- 51 Upp till chassi.nr 5894
- 52 Från chassi.nr 1J-4-225 001
- 53 Original ändfästen måste flyttas över.
- 54 Upp till chassi.nr 6K-Y-502 794
- 55 Från chassi.nr 6K-Y-502 795

**FI**

- 1 Al.nroon -44F 115 150.
- 2 Al.nrosta 44F 115 151-.
- 3 Al.nroon -6944.
- 4 Al.nrot 6945 - 7632.
- 5 Al.nrosta 7633-.
- 6 Al.nroihiin -E5007044 / -EE105399.
- 7 Al.nroihiin -JE100000 / -J2502492.
- 8 Al.nroista JE100001- / J2502493-.
- 9 Alkuperäinen muoviputki on käytettävä.
- 10 Al.nroon -N1145948.
- 12 Al.nroon -19E 780 000.
- 13 Ei sähköisellä avauksella varustettuihin malleihin.
- 14 Ei R19 Sport-malliin.
- 15 Ei Baccara-malliin.
- 16 Al.nroon 23002609-.
- 17 Al.nroihiin -H1007931 / -H000099.
- 18 Al.nroista H1007932- / H000100-.
- 19 Al.nrosta 19E 780 001-.
- 20 Al.nroon -327 2300 000.
- 21 Al.nrosta 327 2300 001-.
- 23 Al.nrot 86B 150 001 - 86D 044 578.
- 24 Al.nrot 86D 044 579 - 86G 170 000.
- 25 Al.nrot 86G 170 001 - 80L 250 000.
- 26 Al.nrot 80MW 000 001 - 80RY 150 000.
- 27 Al.nrot 31J 000 001 - 31PE/PB 259 865.
- 28 Al.nrot 3ARE/PB 000 001-.
- 29 Ei malleihin jotka on varustettu M308 (säädettävä aukko).
- 30 Malleihin joissa on 1 kaasujousi.
- 31 Malleihin joissa on 2 kaasujousta.
- 32 Ei Coupe-malliin.
- 33 Ei Multivan-malliin.
- 35 Al.nroon 4B-Y-130 134
- 36 Al.nrosta 4B-Y130135
- 37 Ei M3-malliin.
- 38 vain malleihin joissa alustanumeron 11. merkki on 3.
- 39 vain malleihin joissa alustanumeron 11. merkki on E.
- 40 Al.nroon T 084580 / F229895
- 41 Al.nrosta T 084581 / F229896
- 42 Al.nroon 2G056347
- 43 Al.nrosta 2G056348
- 44 Ei motorisoidulla sulkemismekanismilla varustettuihin malleihin
- 45 Al.nroon 1E-1K010 829
- 46 Al.nrosta 1E-1K010 830
- 47 Al.nroon 1J-1-560 000
- 48 Al.nrosta 1J-1-560 001
- 49 Al.nroon 1J-4-225 000
- 50 Al.nroon 8073
- 51 Al.nroon 5894
- 52 Al.nrosta 1J-4-225 001
- 53 Alkuperäiset kiinnikkeet käytettävä
- 54 Al.nroon 6K-Y-502 794
- 55 Al.nrosta 6K-Y-502 795

**DE**

- 1 Bis Chassis-Nr. - 44F 115 150.
- 2 Ab Chassis-Nr. - 44F 115 151.
- 3 Bis Chassis-Nr. - 6944.
- 4 Ab Chassis-Nr. - 6945 - 7632.
- 5 Ab Chassis-Nr. 7633-.
- 6 Bis Chassis-Nr. -E5007044 / -EE105399.
- 7 Bis Chassis-Nr. -JE100000 / -J2502492.
- 8 Ab Chassis-Nr. JE100001- / J2502493-.
- 9 Der originale Plastikschlauch muss verwendet werden.
- 10 Bis Chassis-Nr. -N1145948.
- 12 Bis Chassis-Nr. -19E 780 000.
- 13 Nicht passend für Fahrzeuge mit elektrischem Antrieb
- 14 Nicht passend für R19 Sport.
- 15 Nicht passend für Baccara.
- 16 Ab Chassis-Nr. 23002609-.
- 17 Bis Chassis-Nr. -H1007931 / H000099.
- 18 Ab Chassis-Nr. H1007932 / H000100.
- 19 Ab Chassis-Nr. 19E 780 001-.
- 20 Bis Chassis-Nr. -327 2300 000.
- 21 Ab Chassis-Nr. 327 2300 001-.
- 23 Ab Chassis-Nr. 86B 150 001 - 86D 044 578.
- 24 Ab Chassis-Nr. 86D 044 579 - 86G 170 000.
- 25 Ab Chassis-Nr. 86G 170 001 - 80L 250 000.
- 26 Ab Chassis-Nr. 80MW 000 001 - 80RY 150 000.
- 27 Ab Chassis-Nr. 31J 000 001 - 31PE/PB 259 865.
- 28 Ab Chassis-Nr. 3ARE/PB 000 001-.
- 29 Nicht passend für Fahrzeuge mit Ausstattung M308.
- 30 Für Fahrzeuge ausgestattet mit einer Gasfeder.
- 31 Für Fahrzeuge ausgestattet mit zwei Gasfedern.
- 32 Nicht passend für Coupe.
- 33 Nicht passend für Multivan.
- 35 Bis Chassis-Nr. 4B-Y-130 134
- 36 Ab Chassis-Nr. 4B-Y-130 135
- 37 Nicht passend für M3.
- 38 Nur für Fahrzeuge mit Chassis-Kennzeichnung "3" an der 11. Position
- 39 Nur für Fahrzeuge mit Chassis-Kennzeichnung "E" an der 11. Position
- 40 Bis Chassis-Nr. T 084580 / F229895
- 41 Ab Chassis-Nr. T 084581 / F229896
- 42 Bis Chassis-Nr. 2G056347
- 43 Ab Chassis-Nr. 2G056348
- 44 Nicht passend für Fahrzeuge mit elektronischem Verschluss.
- 45 Bis Chassis-Nr. 1E-1K010 829
- 46 Ab Chassis-Nr. 1E-1K010 830
- 47 Bis Chassis-Nr. 1J-1-560 000
- 48 Ab Chassis-Nr. 1J-1-560 001
- 49 Bis Chassis-Nr. 1J-4-225 000
- 50 Bis Chassis-Nr. 8073
- 51 Bis Chassis-Nr. 5894
- 52 Ab Chassis-Nr. 1J-4-225 001
- 53 Die Originalen Endmontage Teile müssen wieder verwendet werden.
- 54 Bis Chassis-Nr. 6K-Y-502 794
- 55 Ab Chassis-Nr. 6K-Y-502 795

**FR**

- 1 Jusqu'au Chassis no -44F115150.
- 2 A partir du Chassis no 44F115151-.
- 3 Jusqu'au Chassis no -6944.
- 4 A partir du Chassis no 6945-7632-.
- 5 A partir du Chassis no 7633- .
- 6 Jusqu'au Chassis no -E5007044 / EE105399.
- 7 Jusqu'au Chassis no -JE100000 / J2502492.
- 8 A partir du Chassis no JE100001 / J2502493.
- 9 Uniquement avec le conduit plastique OE.
- 10 Jusqu'au Chassis no -N1145948.
- 12 Jusqu'au Chassis no -19E 780 000.
- 13 Ne convient pas pour vehicules avec ouverture electrique.
- 14 Ne convient pas pour R19 Sport.
- 15 Ne convient pas pour Baccara.
- 16 A partir du Chassis no 23002609-.
- 17 Jusqu'au Chassis no -H1007931 / H000099.
- 18 A partir du Chassis no H1007932 / H000100.
- 19 A partir du Chassis no 19E 780 001-.
- 20 Jusqu'au Chassis no -327 2300 000.
- 21 A partir du Chassis no 327 2300 001-.
- 23 A partir du Chassis no 86B 150 001 - 86D 044 578.
- 24 A partir du Chassis no 86D 044 579 - 86G 170 000.
- 25 A partir du Chassis no 86G 170 001 - 80L 250 000.
- 26 A partir du Chassis no 80MW 000 001 - 80RY 150 000.
- 27 A partir du Chassis no 31J 000 001 - 31PE/PB 259 865.
- 28 A partir du Chassis no 3ARE /PB 000 001-.
- 29 Ne convient pas pour vehicules equipés avec M308 (ouvert. réglable).
- 30 Pour vehicules avec 1 ressort à gaz.
- 31 Pour vehicules avec 2 ressorts à gaz.
- 32 Ne convient pas pour Coupe.
- 33 Ne convient pas pour Multivan.
- 35 Jusqu'au Chassis no 4B-Y-130 134
- 36 A partir du Chassis no 4B-Y-130 135
- 37 Ne convient pas pour M3.
- 38 Uniquement pour vehicules avec la lettre 3 comme 11e chiffre dans le Châssis no.
- 39 Uniquement pour vehicules avec la lettre E comme 11e chiffre dans le Châssis no.
- 40 Jusqu'au Chassis no T 084580 / F229895
- 41 A partir du Chassis no T 084581 / F229896
- 42 Jusqu'au Chassis no 2G056347
- 43 A partir du Chassis no 2G056348
- 44 Ne convient pas pour vehicules avec fermeture automatique.
- 45 Jusqu'au Chassis no 1E-1K010 829
- 46 A partir du Chassis no 1E-1K010 830
- 47 Jusqu'au Chassis no 1J-1-560 000
- 48 A partir du Chassis no 1J-1-560 001
- 49 Jusqu'au Chassis no 1J-4-225 000
- 50 Jusqu'au Chassis no 8073
- 51 Jusqu'au Chassis no 5894
- 52 A partir du Chassis no 1J-4-225 001
- 53 Les embouts d'origine doivent obligatoirement être réutilisés.
- 54 Jusqu'au Chassis no 6K-Y-502 794
- 55 A partir du Chassis no 6K-Y-502 795

**PL**

- 1 Do numeru nadwozia -44F 115 150.
- 2 Od numeru nadwozia 44F 115 151.
- 3 Do numeru nadwozia -6944.
- 4 Od numeru nadwozia 6945 - 7632.
- 5 Od numeru nadwozia 7633-.
- 6 Do numeru nadwozia -E5007044 / -EE105399.
- 7 Do numeru nadwozia -JE100000 / -J2502492.
- 8 Od numeru nadwozia JE100001- / J2502493.
- 9 Należy użyć oryginalnej plastikowej obudowy.
- 10 Do numeru nadwozia -N1145948.
- 12 Do numeru nadwozia -19E 780 000.
- 13 Nie stosuje się w samochodach z elektrycznie otwieraną pokrywą.
- 14 Nie nadaje się do R19 Sport.
- 15 Nie nadaje się do Baccara.
- 16 Od numeru nadwozia 23002609-.
- 17 Do numeru nadwozia -H1007931 / H000099.
- 18 Od numeru nadwozia H1007932 / H000100.
- 19 Od numeru nadwozia 19E 780 001-.
- 20 Do numeru nadwozia -327 2300 000.
- 21 Od numeru nadwozia 327 2300 001-.
- 23 Od numeru nadwozia 86B 150 001 - 86D 044 578.
- 24 Od numeru nadwozia 86D 044 579 - 86G 170 000.
- 25 Od numeru nadwozia 86G 170 001 - 80L 250 000.
- 26 Od numeru nadwozia 80MW 000 001 - 80RY 150 000.
- 27 Od numeru nadwozia 31J 000 001 - 31PE/PB 259 865.
- 28 Od numeru nadwozia 3ARE/PB 000 001-.
- 29 Nie stosuje się w samochodach wyposażonych w M308 (pokrywa zregulowanym stopniem otwarcia)
- 30 Do samochodów wyposażonych w 1 amortyzator pokrywy bagażnika.
- 31 Do samochodów wyposażonych w 2 amortyzatory pokrywy bagażnika.
- 32 Nie nadaje się do Coupe.
- 33 Nie nadaje się do Multivan.
- 35 Do wszystkich nadwozi do numeru 4B-Y-130 134
- 36 Od numeru nadwozia 4B-Y-130 135
- 37 Nie nadaje się do M3.
- 38 Tylko do samochodów z cyfrą 3 na 11tym miejscu numeru nadwozia
- 39 Tylko do samochodów z literą E na 11tym miejscu numeru nadwozia
- 40 Do wszystkich nadwozi do numeru T 084580 / F229895
- 41 Od numeru nadwozia T 084581 / F229896
- 42 Do wszystkich nadwozi do numeru 2G056347
- 43 Od numeru nadwozia 2G056348
- 44 Nie stosuje się w samochodach napędzanych z zamknięcia.
- 45 Do wszystkich nadwozi do numeru 1E-1K010 829
- 46 Od numeru nadwozia 1E-1K010 830
- 47 Do wszystkich nadwozi do numeru 1J-1-560 000
- 48 Od numeru nadwozia 1J-1-560 001
- 49 Do wszystkich nadwozi do numeru 1J-4-225 000
- 50 Do wszystkich nadwozi do numeru 8073
- 51 Do wszystkich nadwozi do numeru 5894
- 52 Od numeru nadwozia 1J-4-225 001
- 53 Końcówki pierwotnego wyposażenia muszą być ponownie wykorzystane.
- 54 Do wszystkich nadwozi do numeru 6K-Y-502 794
- 55 Od numeru nadwozia 6K-Y-502 795

## RU

- 1 До шасси.но -44F115150.
- 2 От шасси.но 44F115151.
- 3 До шасси.но 6944.
- 4 От шасси.но 6945-7632.
- 5 От шасси.но 7633-.
- 6 До шасси.но E5007044 / EE105399.
- 7 До шасси chassis.но JE100000 / J2502492.
- 8 От шасси.но JE100001 / J2502493.
- 9 Использовать оригинальную пластиковую трубку.
- 10 До шасси.но -N1145948.
- 12 До шасси.но -19E 780 000.
- 13 Кроме машин с электрическим открыванием.
- 14 Кроме R19 Спорт.
- 15 Кроме Вассара.
- 16 От шасси.но 23002609-.
- 17 До шасси.но -H1007931 / H000099.
- 18 От шасси.но H1007932 / H000100.
- 19 От шасси.но 19E 780 001-.
- 20 До шасси.но -327 2300 000.
- 21 От шасси.но 327 2300 001-.
- 23 От шасси.но 86B 150 001 - 86D 044 578.
- 24 От шасси.но 86D 044 579 - 86G 170 000.
- 25 От шасси.но 86G 170 001 - 80L 250 000.
- 26 От шасси.но 80MW 000 001 - 80RY 150 000.
- 27 От шасси.но 31J 000 001 - 31PE/PB 259 865.
- 28 От шасси.но 3A RE /PB 000 001-.
- 29 Кроме машин, оборудованных M308 (регулируемым открыванием)
- 30 Для машин с 1 газовой пружиной.
- 31 Для машин с 2 газовой пружиной.
- 32 Кроме Coupe.
- 33 Кроме Multivan.
- 35 До шасси.но 4B-Y-130 134
- 36 От шасси.но 4B-Y-130 135
- 37 Кроме МЗ.
- 38 Только для машин с цифрой "3" на одиннадцатой позиции номера шасси VIN xxxxxxxx3xxxxx
- 39 Только для машин с цифрой "E" на одиннадцатой позиции номера шасси VIN xxxxxxxxExxxxx
- 40 До шасси.но T 084580 / F229895
- 41 От шасси.но T 084581 / F229896
- 42 До шасси.но 2G056347
- 43 От шасси.но 2G056348
- 44 Кроме машин, оборудованных системой автоматического закрытия двери
- 45 До шасси.но 1E-1K010 829
- 46 От шасси.но 1E-1K010 830
- 47 До шасси.но 1J-1-560 000
- 48 От шасси.но 1J-1-560 001
- 49 До шасси.но 1J-4-225 000
- 50 До шасси.но 8073
- 51 До шасси.но 5894
- 52 От шасси.но 1J-4-225 001
- 53 Первоначально целью арматуры должны быть повторно использованы.
- 54 До шасси.но 6K-Y-502 794
- 55 От шасси.но 6K-Y-502 795

Lesjöfors	Application	Rod Ø	Cyl Ø	Extended length	Stroke	Force (N)	Piston Rod, end fitting Drawing reference (see page 70-72)		Cylinder, end fitting Drawing reference (see page 70-72)		Info
80 007 00	Alfa Romeo	8	18	615	269	240	92010	Welded eye Ø 6,1mm	92010	Welded eye Ø 6,1mm	
80 007 01	Alfa Romeo	8	18	675	295	210	92025	M6x1,0 ball head Ø 8mm	92025	M6x1,0 ball head Ø 8mm	
80 007 02	Alfa Romeo	8	18	397	158	300	92076	M6x1,0 plastic ball head Ø 10mm	92076	M6x1,0 plastic ball head Ø 10mm	
80 007 03	Alfa Romeo	8	18	437	175	480	92078	M6x1,0 plastic ball head Ø 10mm	92078	M6x1,0 plastic ball head Ø 10mm	
80 007 04	Alfa Romeo	8	18	355	121	350		Plastic ball head		Plastic ball head	New 2009
80 007 05	Alfa Romeo	8	18	600	260	250		Plastic ball head		Plastic ball head	New 2009
80 007 06	Alfa Romeo	8	18	668	285	250		Plastic ball head		Plastic ball head	New 2009
80 042 00	Audi	8	18	608	269	400	92011	Welded eye Ø 8mm	92011	Welded eye Ø 8mm	
80 042 01	Audi	8	18	667	299	375	92011	Welded eye Ø 8mm	92011	Welded eye Ø 8mm	
80 042 03	Audi	8	18	694	314	130	92011	Welded eye Ø 8mm	92011	Welded eye Ø 8mm	
80 042 04	Audi	10	22	810	323	280	92011	Welded eye Ø 8mm	92011	Welded eye Ø 8mm	
80 042 05	Audi	8	18	685	295	260	92076	M6x1,0 plastic ball head Ø 10mm	92011	Welded eye Ø 8mm	
80 042 06	Audi	8	18	465	194	320	92011	Welded eye Ø 8mm	92011	Welded eye Ø 8mm	
80 042 07	Audi	10	22	825	380	410	92076	M6x1,0 plastic ball head Ø 10mm	Thread	Thread	
80 042 08	Audi	10	22	943	400	380	92076	M6x1,0 plastic ball head Ø 10mm	92015	M8x1,0 eye Ø 8,2mm	
80 042 09	Audi	8	18	720	307	310	92015	M8x1,0 eye Ø 8,2mm	92015	M8x1,0 eye Ø 8,2mm	
80 042 10	Audi	8	18	504	210	350	92078	M6x1,0 plastic ball head Ø 10mm	92077	M6x1,0 plastic ball head Ø 10mm (10°)	
80 042 13	Audi	8	18	278	100	440	92076	M6x1,0 plastic ball head Ø 10mm	92076	M6x1,0 plastic ball head Ø 10mm	
80 042 14	Audi	8	18	722	325	280	92077	M6x1,0 plastic ball head Ø 10mm (10°)	92077	M6x1,0 plastic ball head Ø 10mm (10°)	
80 042 15	Audi	8	18	530	223	245	92076	M6x1,0 plastic ball head Ø 10mm	92076	M6x1,0 plastic ball head Ø 10mm	
80 042 16	Audi	8	18	715	315	330	92077	M6x1,0 plastic ball head Ø 10mm (10°)	92076	M6x1,0 plastic ball head Ø 10mm	
80 042 17	Audi	8	18	712	320	250	92077	M6x1,0 plastic ball head Ø 10mm (10°)	92076	M6x1,0 plastic ball head Ø 10mm	
80 042 18	Audi	8	18	721	320	180	92077	M6x1,0 plastic ball head Ø 10mm (10°)	92076	M6x1,0 plastic ball head Ø 10mm	
80 042 20	Audi	8	18	762	340	340		Plastic ball head		Plastic ball head	New 2009
80 042 21	Audi	8	18	375	150	280		Plastic ball head		Plastic ball head	New 2009
80 042 22	Audi	8	18	314	120	440		Plastic ball head		Plastic ball head	New 2009
80 084 00	BMW	8	18	255	89	350	92011	Welded eye Ø 8mm	92011	Welded eye Ø 8mm	
80 084 01	BMW	8	18	365	145	320	92011	Welded eye Ø 8mm	92011	Welded eye Ø 8mm	
80 084 02	BMW	8	18	440	169	380	92011	Welded eye Ø 8mm	92011	Welded eye Ø 8mm	
80 084 03	BMW	8	18	240	84	380	92011	Welded eye Ø 8mm	92011	Welded eye Ø 8mm	
80 084 04	BMW	8	18	500	214	230	92011	Welded eye Ø 8mm	92011	Welded eye Ø 8mm	
80 084 05	BMW	8	18	254	89	440	92011	Welded eye Ø 8mm	92011	Welded eye Ø 8mm	
80 084 06	BMW	10	22	325	115	830	92018	M6x1,0 ball head Ø 10mm	92018	M6x1,0 ball head Ø 10mm	
80 084 07	BMW	8	18	412	169	280	92011	Welded eye Ø 8mm	92011	Welded eye Ø 8mm	
80 084 08	BMW	8	18	333	140	680	92078	M6x1,0 plastic ball head Ø 10mm	92078	M6x1,0 plastic ball head Ø 10mm	
80 084 09	BMW	8	18	317	120	580	92078	M6x1,0 plastic ball head Ø 10mm	92078	M6x1,0 plastic ball head Ø 10mm	
80 084 10	BMW	8	18	287	105	640	92078	M6x1,0 plastic ball head Ø 10mm	92078	M6x1,0 plastic ball head Ø 10mm	
80 084 11	BMW	8	18	345	120	700	92076	M6x1,0 plastic ball head Ø 10mm		Special	
80 084 12	BMW	8	18	373	147	350	92078	M6x1,0 plastic ball head Ø 10mm	92078	M6x1,0 plastic ball head Ø 10mm	
80 084 13	BMW	8	18	397	162	330		Plastic ball head		Plastic ball head	New 2009
80 084 14	BMW	8	18	313	117	330		Plastic ball head		Plastic ball head	New 2009
80 084 15	BMW	8	18	292	110	540		Plastic ball head		Plastic ball head	New 2009
80 084 16	BMW	8	18	715	315	160		Plastic ball head		Plastic ball head	New 2009
80 084 17	BMW	8	18	283	100	720		Plastic ball head		Plastic ball head	New 2009
80 084 18	BMW	8	18	412	175	390		Plastic ball head		Plastic ball head	New 2009
80 084 19	BMW	8	18	672	255	180		Plastic ball head		Plastic ball head	New 2009
80 156 00	Citroen	8	18	540	230	253	92076	M6x1,0 plastic ball head Ø 10mm	92018	M6x1,0 ball head Ø 10mm	
80 156 01	Citroen	8	18	460	171	300	92076	M6x1,0 plastic ball head Ø 10mm	92076	M6x1,0 plastic ball head Ø 10mm	
80 156 02	Citroen	8	18	597	260	440	92076	M6x1,0 plastic ball head Ø 10mm	92076	M6x1,0 plastic ball head Ø 10mm	
80 156 03	Citroen	8	18	506	214	145	92078	M6x1,0 plastic ball head Ø 10mm	92078	M6x1,0 plastic ball head Ø 10mm	
80 156 04	Citroen	8	18	580	255	165		Plastic ball head		Plastic ball head	New 2009
80 261 00	Fiat	8	18	505	205	250	92076	M6x1,0 plastic ball head Ø 10mm	92076	M6x1,0 plastic ball head Ø 10mm	
80 261 01	Fiat	8	18	670	278	240	92025	M6x1,0 ball head Ø 8mm	92025	M6x1,0 ball head Ø 8mm	
80 261 02	Fiat	8	18	212	57	200	92078	M6x1,0 plastic ball head Ø 10mm	92078	M6x1,0 plastic ball head Ø 10mm	
80 261 03	Fiat	8	18	670	289	250	92025	M6x1,0 ball head Ø 8mm	92025	M6x1,0 ball head Ø 8mm	
80 275 00	Ford	8	18	549	230	285	92022	M8x1,0 ball head Ø 10mm	92022	M8x1,0 ball head Ø 10mm	
80 275 01	Ford	8	18	248	85	660	92076	M6x1,0 plastic ball head Ø 10mm	92076	M6x1,0 plastic ball head Ø 10mm	
80 275 02	Ford	8	18	454	186	350	92078	M6x1,0 plastic ball head Ø 10mm	92076	M6x1,0 plastic ball head Ø 10mm	
80 372 00	Hyundai	8	18	442	161	300		Plastic ball head		Plastic ball head	New 2009
80 372 01	Hyundai	8	18	447	189	300		Plastic ball head		Plastic ball head	New 2009
80 372 02	Hyundai	8	18	447	189	300		Plastic ball head		Plastic ball head	New 2009
80 414 00	Jaguar	8	18	505	203	210	92013	M6x1,0 eye Ø 10,1mm	92013	M6x1,0 eye Ø 10,1mm	
80 414 01	Jaguar	8	18	400	154	380	92076	M6x1,0 plastic ball head Ø 10mm	92076	M6x1,0 plastic ball head Ø 10mm	
80 421 00	Jeep	6	15	436	180	300		Plastic ball head		Plastic ball head	New 2009
80 421 01	Jeep	8	18	287	105	460		Plastic ball head		Plastic ball head	New 2009
80 421 02	Jeep	6	15	347	139	410		Plastic ball head		Plastic ball head	New 2009
80 442 00	Kia	8	18	396	159	440		Plastic ball head		Plastic ball head	New 2009
80 442 01	Kia	8	18	565	240	290		Plastic ball head		Plastic ball head	New 2009
80 568 00	Mercedes	8	18	783	359	280	92011	Welded eye Ø 8mm			
80 568 01	Mercedes	10	22	265	72	1040	92064	M6x1,0 plastic tap	92011	Welded eye Ø 8mm	
80 568 02	Mercedes	8	18	457	190	544	92078	M6x1,0 plastic ball head Ø 10mm	92078	M6x1,0 plastic ball head Ø 10mm	



Lesjöfors	Application	Rod Ø	Cyl Ø	Extended length	Stroke	Force (N)	Piston Rod, end fitting Drawing reference (see page 70–72)	Cylinder, end fitting Drawing reference (see page 70–72)	Info
80 568 03	Mercedes	8	18	450	182	490	92076 M6x1,0 plastic ball head Ø 10mm	92076 M6x1,0 plastic ball head Ø 10mm	
80 568 04	Mercedes	8	18	673	294	260	92076 M6x1,0 plastic ball head Ø 10mm	92076 M6x1,0 plastic ball head Ø 10mm	
80 568 05	Mercedes	10	22	233	66	850	92018 M6x1,0 ball head Ø 10mm	92076 M6x1,0 plastic ball head Ø 10mm	
80 568 06	Mercedes	8	18	583	247	280	92076 M6x1,0 plastic ball head Ø 10mm	Special	
80 568 07	Mercedes	8	18	585	209	280	92076 M6x1,0 plastic ball head Ø 10mm	92076 M6x1,0 plastic ball head Ø 10mm	
80 568 08	Mercedes	8	18	553	218	330	Plastic ball head	Special	New 2009
80 568 09	Mercedes	8	18	580	250	330	Plastic ball head	Thread	New 2009
80 568 10	Mercedes	8	18	686	305	230	Plastic ball head	Plastic ball head	New 2009
80 568 11	Mercedes	10	22	890	403	260	Plastic ball head	Special	New 2009
80 568 12	Mercedes	8	18	674	295	300	Plastic ball head	Plastic ball head	New 2009
80 568 13	Mercedes	8	18	675	290	330	Plastic ball head	Plastic ball head	New 2009
80 585 00	MG	8	18	338	129	420	Plastic ball head	Plastic ball head	New 2009
80 587 00	Mini	8	18	575	238	270	92076 M6x1,0 plastic ball head Ø 10mm	92076 M6x1,0 plastic ball head Ø 10mm	
80 587 01	Mini	10	22	241	80	700	Plastic ball head	Plastic ball head	New 2009
80 634 00	Opel	8	18	515	210	240	92076 M6x1,0 plastic ball head Ø 10mm	93032 Special	
80 634 02	Opel	10	22	250	85	850	92076 M6x1,0 plastic ball head Ø 10mm	92076 M6x1,0 plastic ball head Ø 10mm	
80 634 03	Opel	8	18	650	280	250	92077 M6x1,0 plastic ball head Ø 10mm (10')	92076 M6x1,0 plastic ball head Ø 10mm	
80 634 04	Opel	8	18	542	226	310	92076 M6x1,0 plastic ball head Ø 10mm	92076 M6x1,0 plastic ball head Ø 10mm	
80 667 00	Peugeot	10	22	193	60	850	92076 M6x1,0 plastic ball head Ø 10mm	92076 M6x1,0 plastic ball head Ø 10mm	
80 667 01	Peugeot	8	18	689	300	200	92078 M6x1,0 plastic ball head Ø 10mm	92078 M6x1,0 plastic ball head Ø 10mm	
80 667 02	Peugeot	8	18	650	275	190	92078 M6x1,0 plastic ball head Ø 10mm	92078 M6x1,0 plastic ball head Ø 10mm	
80 667 03	Peugeot	8	18	554	182	150	92078 M6x1,0 plastic ball head Ø 10mm	92078 M6x1,0 plastic ball head Ø 10mm	
80 697 00	Porsche	8	18	320	125	370	92014 M6x1,0 eye Ø 6,2mm	92071 Welded eye Ø 6mm	
80 697 01	Porsche	8	18	405	164	270	92076 M6x1,0 plastic ball head Ø 10mm	92011 Welded eye Ø 8mm	
80 697 02	Porsche	8	18	435	180	150	92076 M6x1,0 plastic ball head Ø 10mm	92076 M6x1,0 plastic ball head Ø 10mm	
80 729 00	Renault	8	18	392	157	230	Special	Special	
80 757 00	Rover	8	18	510	220	350	92076 M6x1,0 plastic ball head Ø 10mm	92076 M6x1,0 plastic ball head Ø 10mm	
80 757 01	Land Rover	6	15	400	166	230	Plastic ball head	Plastic ball head	New 2009
80 757 02	Land Rover	8	18	293	101	410	Plastic ball head	Plastic ball head	New 2009
80 757 03	Rover	8	18	338	129	420	Plastic ball head	Plastic ball head	New 2009
80 778 00	Saab	8	18	527	220	240	92076 M6x1,0 plastic ball head Ø 10mm	92076 M6x1,0 plastic ball head Ø 10mm	
80 778 01	Saab	8	18	550	218	225	92011 Welded eye Ø 8mm	92011 Welded eye Ø 8mm	
80 778 02	Saab	8	18	525	220	480	92076 M6x1,0 plastic ball head Ø 10mm	92076 M6x1,0 plastic ball head Ø 10mm	
80 778 03	Saab	8	18	525	220	240	92076 M6x1,0 plastic ball head Ø 10mm	92076 M6x1,0 plastic ball head Ø 10mm	
80 778 04	Saab	8	18	763	350	200	92076 M6x1,0 plastic ball head Ø 10mm	92076 M6x1,0 plastic ball head Ø 10mm	
80 778 05	Saab	8	18	740	310	290	92077 M6x1,0 plastic ball head Ø 10mm (10')	92078 M6x1,0 plastic ball head Ø 10mm	
80 829 00	Seat	8	18	502	210	280	92078 M6x1,0 plastic ball head Ø 10mm	92077 M6x1,0 plastic ball head Ø 10mm (10')	
80 829 01	Seat	8	18	573	245	330	92076 M6x1,0 plastic ball head Ø 10mm	92076 M6x1,0 plastic ball head Ø 10mm	
80 829 02	Seat	8	18	454	186	350	92078 M6x1,0 plastic ball head Ø 10mm	92076 M6x1,0 plastic ball head Ø 10mm	
80 857 00	Skoda	8	18	722	320	350	Plastic ball head	Plastic ball head	New 2009
80 860 00	Smart	8	18	299	115	240	Plastic ball head	Plastic ball head	New 2009
80 946 00	Vauxhall	8	18	500	202	360	92011 Welded eye Ø 8mm	92011 Welded eye Ø 8mm	
80 946 01	Vauxhall	8	18	515	210	240	92076 M6x1,0 plastic ball head Ø 10mm	93032 Special	
80 946 02	Vauxhall	10	22	250	85	850	92076 M6x1,0 plastic ball head Ø 10mm	92076 M6x1,0 plastic ball head Ø 10mm	
80 950 00	Volkswagen	8	18	725	327	280	92077 M6x1,0 plastic ball head Ø 10mm (10')	92022 M8x1,0 ball head Ø 10mm	
80 950 01	Volkswagen	8	18	679	275	270	92077 M6x1,0 plastic ball head Ø 10mm (10')	92076 M6x1,0 plastic ball head Ø 10mm	
80 950 02	Volkswagen	8	18	502	210	280	92078 M6x1,0 plastic ball head Ø 10mm	92077 M6x1,0 plastic ball head Ø 10mm (10')	
80 950 03	Volkswagen	8	18	500	200	190	92078 M6x1,0 plastic ball head Ø 10mm	92077 M6x1,0 plastic ball head Ø 10mm (10')	
80 950 04	Volkswagen	8	18	723	320	300	92077 M6x1,0 plastic ball head Ø 10mm (10')	92076 M6x1,0 plastic ball head Ø 10mm	
80 950 05	Volkswagen	8	18	729	320	240	92077 M6x1,0 plastic ball head Ø 10mm (10')	92076 M6x1,0 plastic ball head Ø 10mm	
80 950 06	Volkswagen	8	18	389	157	360	92076 M6x1,0 plastic ball head Ø 10mm	92076 M6x1,0 plastic ball head Ø 10mm	
80 950 07	Volkswagen	8	18	402	157	460	92078 M6x1,0 plastic ball head Ø 10mm	92076 M6x1,0 plastic ball head Ø 10mm	
80 950 08	Volkswagen	8	18	500	209	310	92078 M6x1,0 plastic ball head Ø 10mm	92077 M6x1,0 plastic ball head Ø 10mm (10')	
80 950 09	Volkswagen	8	18	454	186	350	92078 M6x1,0 plastic ball head Ø 10mm	92076 M6x1,0 plastic ball head Ø 10mm	
80 950 10	Volkswagen	8	18	500	210	350	Plastic ball head	Plastic ball head	New 2009
80 950 11	Volkswagen	8	18	732	320	350	Plastic ball head	Plastic ball head	New 2009
80 950 12	Volkswagen	8	18	538	205	125	Plastic ball head	Plastic ball head	New 2009
80 950 13	Volkswagen	8	18	402	165	520	92076 M6x1,0 plastic ball head Ø 10mm	92076 M6x1,0 plastic ball head Ø 10mm	New 2009
80 950 14	Volkswagen	8	18	504	210	350	92078 M6x1,0 plastic ball head Ø 10mm	92077 M6x1,0 plastic ball head Ø 10mm (10')	New 2009
80 958 00	Volvo	8	18	603	269	160	92011 Welded eye Ø 8mm	Special	
80 958 01	Volvo	8	18	749	327	300	92078 M6x1,0 plastic ball head Ø 10mm	92078 M6x1,0 plastic ball head Ø 10mm	
80 958 02	Volvo	6	15	245	91	400	92078 M6x1,0 plastic ball head Ø 10mm	92078 M6x1,0 plastic ball head Ø 10mm	
80 958 03	Volvo	8	18	510	209	320	92076 M6x1,0 plastic ball head Ø 10mm	92076 M6x1,0 plastic ball head Ø 10mm	
80 958 04	Volvo	8	18	283	103	450	Plastic ball head	Plastic ball head	New 2009
80 958 05	Volvo	8	18	729	320	140	Plastic ball head	Plastic ball head	New 2009
80 958 06	Volvo	8	18	245	82	700	Plastic ball head	Plastic ball head	New 2009
81 007 00	Alfa Romeo	8	18	547	230	210	92076 M6x1,0 plastic ball head Ø 10mm	92011 Welded eye Ø 8mm	
81 007 01	Alfa Romeo	8	18	550	230	300	92025 M6x1,0 ball head Ø 8mm	92071 Welded eye Ø 6mm	
81 007 02	Alfa Romeo	8	18	255	89	490	92011 Welded eye Ø 8mm	92011 Welded eye Ø 8mm	
81 007 03	Alfa Romeo	8	18	305	99	320	92011 Welded eye Ø 8mm	92011 Welded eye Ø 8mm	
81 007 04	Alfa Romeo	10	22	996	377	260	92071 Welded eye Ø 6mm	92071 Welded eye Ø 6mm	

Lesjöfors	Application	Rod Ø	Cyl Ø	Extended length	Stroke	Force (N)	Piston Rod, end fitting Drawing reference (see page 70–72)		Cylinder, end fitting Drawing reference (see page 70–72)		Info
81 007 07	Alfa Romeo	8	18	280	100	600	92018	M6x1,0 ball head Ø 10mm	92018	M6x1,0 ball head Ø 10mm	
81 007 08	Alfa Romeo	8	18	280	100	600	92018	M6x1,0 ball head Ø 10mm	92018	M6x1,0 ball head Ø 10mm	
81 007 09	Alfa Romeo	8	18	522	220	300	92076	M6x1,0 plastic ball head Ø 10mm	92076	M6x1,0 plastic ball head Ø 10mm	
81 007 10	Alfa Romeo	8	18	522	220	400	92076	M6x1,0 plastic ball head Ø 10mm	92076	M6x1,0 plastic ball head Ø 10mm	
81 007 11	Alfa Romeo	8	18	263	94	370	92076	M6x1,0 plastic ball head Ø 10mm	92076	M6x1,0 plastic ball head Ø 10mm	
81 007 12	Alfa Romeo	8	18	347	125	620	92076	M6x1,0 plastic ball head Ø 10mm	92076	M6x1,0 plastic ball head Ø 10mm	
81 007 13	Alfa Romeo	8	18	280	105	390	92078	M6x1,0 plastic ball head Ø 10mm	92078	M6x1,0 plastic ball head Ø 10mm	
81 007 14	Alfa Romeo	8	18	435	175	370	92078	M6x1,0 plastic ball head Ø 10mm	92077	M6x1,0 plastic ball head Ø 10mm (10°)	
81 007 15	Alfa Romeo	8	18	317	120	580	92078	M6x1,0 plastic ball head Ø 10mm	92078	M6x1,0 plastic ball head Ø 10mm	
81 007 16	Alfa Romeo	10	22	253	85	1180		Plastic ball head		Plastic ball head	New 2009
81 007 17	Alfa Romeo	8	18	392	158	170		Plastic ball head		Plastic ball head	New 2009
81 007 19	Alfa Romeo	8	18	290	114	380		Plastic ball head		Plastic ball head	New 2009
81 007 20	Alfa Romeo	8	18	399	165	400		Plastic ball head		Plastic ball head	New 2009
81 007 21	Alfa Romeo	8	18	270	92	380		Plastic ball head		Plastic ball head	New 2009
81 007 22	Alfa Romeo	8	18	470	200	350	92076	M6x1,0 plastic ball head Ø 10mm	92076	M6x1,0 plastic ball head Ø 10mm	New 2009
81 042 01	Audi	8	18	300	115	400	92077	M6x1,0 plastic ball head Ø 10mm (10°)	92076	M6x1,0 plastic ball head Ø 10mm	
81 042 02	Audi	8	18	300	115	490	92077	M6x1,0 plastic ball head Ø 10mm (10°)	92076	M6x1,0 plastic ball head Ø 10mm	
81 042 03	Audi	10	22	275	100	580	92076	M6x1,0 plastic ball head Ø 10mm	92076	M6x1,0 plastic ball head Ø 10mm	
81 042 04	Audi	10	22	275	100	660	92076	M6x1,0 plastic ball head Ø 10mm	92076	M6x1,0 plastic ball head Ø 10mm	
81 042 05	Audi	8	18	280	100	580	92076	M6x1,0 plastic ball head Ø 10mm	92018	M6x1,0 ball head Ø 10mm	
81 042 06	Audi	8	18	280	100	660	92076	M6x1,0 plastic ball head Ø 10mm	92018	M6x1,0 ball head Ø 10mm	
81 042 07	Audi	8	18	573	250	500	92078	M6x1,0 plastic ball head Ø 10mm	92077	M6x1,0 plastic ball head Ø 10mm (10°)	
81 042 08	Audi	8	18	350	130	230	92076	M6x1,0 plastic ball head Ø 10mm	92076	M6x1,0 plastic ball head Ø 10mm	
81 042 09	Audi	8	18	580	242	470	92076	M6x1,0 plastic ball head Ø 10mm	92076	M6x1,0 plastic ball head Ø 10mm	
81 042 10	Audi	8	18	405	164	390	92076	M6x1,0 plastic ball head Ø 10mm	92076	M6x1,0 plastic ball head Ø 10mm	
81 042 11	Audi	8	18	645	275	450	92076	M6x1,0 plastic ball head Ø 10mm	92076	M6x1,0 plastic ball head Ø 10mm	
81 042 12	Audi	8	18	602	250	310	92077	M6x1,0 plastic ball head Ø 10mm (10°)	92018	M6x1,0 ball head Ø 10mm	
81 042 13	Audi	8	18	602	250	340	92077	M6x1,0 plastic ball head Ø 10mm (10°)	92018	M6x1,0 ball head Ø 10mm	
81 042 14	Audi	8	18	280	100	490	92076	M6x1,0 plastic ball head Ø 10mm	92076	M6x1,0 plastic ball head Ø 10mm	
81 042 15	Audi	8	18	500	210	420	92078	M6x1,0 plastic ball head Ø 10mm	92077	M6x1,0 plastic ball head Ø 10mm (10°)	
81 042 19	Audi	10	22	500	200	690	92076	M6x1,0 plastic ball head Ø 10mm	92076	M6x1,0 plastic ball head Ø 10mm	
81 042 20	Audi	8	18	403	165	150	92076	M6x1,0 plastic ball head Ø 10mm	92076	M6x1,0 plastic ball head Ø 10mm	
81 042 21	Audi	8	18	402	165	520	92076	M6x1,0 plastic ball head Ø 10mm	92076	M6x1,0 plastic ball head Ø 10mm	
81 042 22	Audi	8	18	403	162	200	92076	M6x1,0 plastic ball head Ø 10mm	92076	M6x1,0 plastic ball head Ø 10mm	
81 042 23	Audi	8	18	402	157	625	92076	M6x1,0 plastic ball head Ø 10mm	92076	M6x1,0 plastic ball head Ø 10mm	
81 042 24	Audi	8	18	402	165	310	92076	M6x1,0 plastic ball head Ø 10mm	92076	M6x1,0 plastic ball head Ø 10mm	
81 042 25	Audi	8	18	512	208	370	92076	M6x1,0 plastic ball head Ø 10mm	92076	M6x1,0 plastic ball head Ø 10mm	
81 042 26	Audi	8	18	278	100	630	92076	M6x1,0 plastic ball head Ø 10mm	92076	M6x1,0 plastic ball head Ø 10mm	
81 042 27	Audi	8	18	500	207	530	92078	M6x1,0 plastic ball head Ø 10mm	92078	M6x1,0 plastic ball head Ø 10mm	
81 042 28	Audi	8	18	474	190	490	92078	M6x1,0 plastic ball head Ø 10mm	92078	M6x1,0 plastic ball head Ø 10mm	
81 042 29	Audi	8	18	531	209	410	92076	M6x1,0 plastic ball head Ø 10mm	92077	M6x1,0 plastic ball head Ø 10mm (10°)	
81 042 30	Audi	8	18	299	79	730	92076	M6x1,0 plastic ball head Ø 10mm	92076	M6x1,0 plastic ball head Ø 10mm	
81 042 31	Audi	8	18	490	199	660	92076	M6x1,0 plastic ball head Ø 10mm	92077	M6x1,0 plastic ball head Ø 10mm (10°)	
81 042 32	Audi	8	18	296	79	700	92076	M6x1,0 plastic ball head Ø 10mm	92076	M6x1,0 plastic ball head Ø 10mm	
81 042 33	Audi	8	18	491	199	540	92078	M6x1,0 plastic ball head Ø 10mm	92078	M6x1,0 plastic ball head Ø 10mm	
81 042 34	Audi	8	18	298	115	650	92076	M6x1,0 plastic ball head Ø 10mm	92078	M6x1,0 plastic ball head Ø 10mm	New 2009
81 042 35	Audi	8	18	311	115	590		Plastic ball head		Plastic ball head	New 2009
81 042 36	Audi	8	20	405	164	300	92076	M6x1,0 plastic ball head Ø 10mm	92076	M6x1,0 plastic ball head Ø 10mm	New 2009
81 042 37	Audi	8	19	467	165	230		Plastic ball head		Plastic ball head	New 2009
81 042 38	Audi	8	18	331	115	495		Plastic ball head		Plastic ball head	New 2009
81 058 00	Autobianchi	8	18	360	140	190	92076	M6x1,0 plastic ball head Ø 10mm	92011	Welded eye Ø 8mm	
81 084 00	BMW	8	18	500	202	320	92011	Welded eye Ø 8mm	92011	Welded eye Ø 8mm	
81 084 01	BMW	8	18	630	275	290	92076	M6x1,0 plastic ball head Ø 10mm	92076	M6x1,0 plastic ball head Ø 10mm	
81 084 02	BMW	8	18	295	100	480	92076	M6x1,0 plastic ball head Ø 10mm	92076	M6x1,0 plastic ball head Ø 10mm	
81 084 03	BMW	8	18	367	146	410	92011	Welded eye Ø 8mm	92011	Welded eye Ø 8mm	
81 084 04	BMW	8	18	367	146	480	92011	Welded eye Ø 8mm	92011	Welded eye Ø 8mm	
81 084 05	BMW	10	22	725	282	360	92076	M6x1,0 plastic ball head Ø 10mm	92005	M8x1,0 Special eye Ø 11mm, left	
81 084 06	BMW	10	22	725	282	360	92076	M6x1,0 plastic ball head Ø 10mm	92006	M8x1,0 Special eye Ø 11mm, right	
81 084 07	BMW	8	18	255	89	490	92011	Welded eye Ø 8mm	92011	Welded eye Ø 8mm	
81 084 08	BMW	8	18	500	202	150	92011	Welded eye Ø 8mm	92011	Welded eye Ø 8mm	
81 084 09	BMW	10	22	518	200	380	92078	M6x1,0 plastic ball head Ø 10mm	92078	M6x1,0 plastic ball head Ø 10mm	
81 084 10	BMW	10	22	596	220	420	92022	M8x1,0 ball head Ø 10mm	92022	M8x1,0 ball head Ø 10mm	
81 084 11	BMW	8	18	350	120	320	92078	M6x1,0 plastic ball head Ø 10mm	92078	M6x1,0 plastic ball head Ø 10mm	
81 084 12	BMW	8	18	543	210	470	92078	M6x1,0 plastic ball head Ø 10mm	92078	M6x1,0 plastic ball head Ø 10mm	
81 084 14	BMW	10	22	314	100	640	92018	M6x1,0 ball head Ø 10mm		Special	
81 084 16	BMW	10	22	347	67	540	92076	M6x1,0 plastic ball head Ø 10mm	92076	M6x1,0 plastic ball head Ø 10mm	
81 084 17	BMW	8	18	242	88	560	92011	Welded eye Ø 8mm	92018	M6x1,0 ball head Ø 10mm	
81 084 18	BMW	8	18	530	175	530	92078	M6x1,0 plastic ball head Ø 10mm	92078	M6x1,0 plastic ball head Ø 10mm	
81 084 19	BMW	8	18	213	62	545	92078	M6x1,0 plastic ball head Ø 10mm	92078	M6x1,0 plastic ball head Ø 10mm	
81 084 20	BMW	8	18	295	85	480	92076	M6x1,0 plastic ball head Ø 10mm	92076	M6x1,0 plastic ball head Ø 10mm	
81 084 21	BMW	8	18	410	157	400	92078	M6x1,0 plastic ball head Ø 10mm	92076	M6x1,0 plastic ball head Ø 10mm	

Lesjöfors	Application	Rod Ø	Cyl Ø	Extended length	Stroke	Force (N)	Piston Rod, end fitting Drawing reference (see page 70–72)	Cylinder, end fitting Drawing reference (see page 70–72)	Info
81 084 22	BMW	8	18	362	115	260	Plastic ball head	Plastic ball head	New 2009
81 084 23	BMW	8	18	370	110	320	Plastic ball head	Plastic ball head	New 2009
81 084 24	BMW	8	18	365	123	280	Plastic ball head	Plastic ball head	New 2009
81 084 25	BMW	8	18	627	209	660	Plastic ball head	Plastic ball head	New 2009
81 084 26	BMW	8	18	557	230	225	Plastic ball head	Plastic ball head	New 2009
81 084 27	BMW	8	18	368	112	320	Plastic ball head	Plastic ball head	New 2009
81 084 28	BMW	8	18	542	230	440	92076 M6x1,0 plastic ball head Ø 10mm	92076 M6x1,0 plastic ball head Ø 10mm	New 2009
81 084 29	BMW	8	18	423	167	350	Plastic ball head	Plastic ball head	New 2009
81 084 30	BMW	8	18	622	210	590	Plastic ball head	Plastic ball head	New 2009
81 084 31	BMW	8	18	294	100	250	Plastic ball head	Plastic ball head	New 2009
81 142 00	Chevrolet	8	18	457	190	544	92078 M6x1,0 plastic ball head Ø 10mm	92078 M6x1,0 plastic ball head Ø 10mm	New 2009
81 142 01	Chevrolet	8	18	490	191	510	Plastic ball head	Plastic ball head	New 2009
81 142 02	Chevrolet	8	18	406	162	335	Plastic ball head	Plastic ball head	New 2009
81 142 03	Chevrolet	10	22	384	147	644	Plastic ball head	Plastic ball head	New 2009
81 156 00	Citroen	8	18	545	230	250	92076 M6x1,0 plastic ball head Ø 10mm	92076 M6x1,0 plastic ball head Ø 10mm	
81 156 01	Citroen	8	18	640	282	300	92011 Welded eye Ø 8mm	92011 Welded eye Ø 8mm	
81 156 02	Citroen	8	18	655	282	400	92011 Welded eye Ø 8mm	92011 Welded eye Ø 8mm	
81 156 03	Citroen	8	18	640	280	300	92076 M6x1,0 plastic ball head Ø 10mm	92011 Welded eye Ø 8mm	
81 156 04	Citroen	8	18	648	280	310	92076 M6x1,0 plastic ball head Ø 10mm	92011 Welded eye Ø 8mm	
81 156 05	Citroen	8	18	650	260	460	92076 M6x1,0 plastic ball head Ø 10mm	92076 M6x1,0 plastic ball head Ø 10mm	
81 156 06	Citroen	8	18	580	240	320	92011 Welded eye Ø 8mm	92011 Welded eye Ø 8mm	
81 156 07	Citroen	10	22	580	258	380	92070 Ball	92011 Welded eye Ø 8mm	
81 156 08	Citroen	8	18	600	269	230	92011 Welded eye Ø 8mm	92011 Welded eye Ø 8mm	
81 156 09	Citroen	8	18	600	269	430	92011 Welded eye Ø 8mm	92011 Welded eye Ø 8mm	
81 156 10	Citroen	8	18	485	200	600	92027 Threaded pin	92015 M8x1,0 eye Ø 8,2mm	
81 156 11	Citroen	8	18	600	269	550	92011 Welded eye Ø 8mm	92011 Welded eye Ø 8mm	
81 156 12	Citroen	8	18	837	327	330	92076 M6x1,0 plastic ball head Ø 10mm	92076 M6x1,0 plastic ball head Ø 10mm	
81 156 13	Citroen	10	22	630	240	683	92076 M6x1,0 plastic ball head Ø 10mm	92076 M6x1,0 plastic ball head Ø 10mm	
81 156 14	Citroen	8	18	600	250	323	92076 M6x1,0 plastic ball head Ø 10mm	92076 M6x1,0 plastic ball head Ø 10mm	
81 156 15	Citroen	8	18	600	250	382	92076 M6x1,0 plastic ball head Ø 10mm	92076 M6x1,0 plastic ball head Ø 10mm	
81 156 17	Citroen	8	18	600	269	360	92011 Welded eye Ø 8mm	92011 Welded eye Ø 8mm	
81 156 18	Citroen	8	18	604	230	680	92076 M6x1,0 plastic ball head Ø 10mm	92076 M6x1,0 plastic ball head Ø 10mm	
81 156 19	Citroen	8	18	592	250	480	92076 M6x1,0 plastic ball head Ø 10mm	92076 M6x1,0 plastic ball head Ø 10mm	
81 156 20	Citroen	8	18	625	250	360	92076 M6x1,0 plastic ball head Ø 10mm	92076 M6x1,0 plastic ball head Ø 10mm	
81 156 22	Citroen	8	18	700	250	664	92076 M6x1,0 plastic ball head Ø 10mm	92076 M6x1,0 plastic ball head Ø 10mm	
81 156 23	Citroen	8	18	628	242	629	92076 M6x1,0 plastic ball head Ø 10mm	92076 M6x1,0 plastic ball head Ø 10mm	
81 156 24	Citroen	8	18	612	210	594	92076 M6x1,0 plastic ball head Ø 10mm	92076 M6x1,0 plastic ball head Ø 10mm	
81 156 25	Citroen	8	18	632	210	594	92076 M6x1,0 plastic ball head Ø 10mm	92076 M6x1,0 plastic ball head Ø 10mm	
81 156 26	Citroen	8	18	612	242	349	92076 M6x1,0 plastic ball head Ø 10mm	92076 M6x1,0 plastic ball head Ø 10mm	
81 156 27	Citroen	8	18	600	268	584	92078 M6x1,0 plastic ball head Ø 10mm	92078 M6x1,0 plastic ball head Ø 10mm	
81 156 28	Citroen	8	18	600	268	674	92078 M6x1,0 plastic ball head Ø 10mm	92078 M6x1,0 plastic ball head Ø 10mm	
81 156 29	Citroen	8	18	657	275	404	92078 M6x1,0 plastic ball head Ø 10mm	92078 M6x1,0 plastic ball head Ø 10mm	
81 156 30	Citroen	8	18	445	165	420	92076 M6x1,0 plastic ball head Ø 10mm	92076 M6x1,0 plastic ball head Ø 10mm	
81 156 31	Citroen	8	18	313	101	228	92076 M6x1,0 plastic ball head Ø 10mm	Special	
81 156 32	Citroen	8	18	510	223	490	92078 M6x1,0 plastic ball head Ø 10mm	92078 M6x1,0 plastic ball head Ø 10mm	
81 156 33	Citroen	8	18	458	190	380	92076 M6x1,0 plastic ball head Ø 10mm	92076 M6x1,0 plastic ball head Ø 10mm	
81 156 34	Citroen	8	18	626	238	520	92076 M6x1,0 plastic ball head Ø 10mm	92076 M6x1,0 plastic ball head Ø 10mm	
81 156 35	Citroen	8	18	665	279	390	Special	Special	
81 156 36	Citroen	8	18	541	227	520	92018 M6x1,0 ball head Ø 10mm	92018 M6x1,0 ball head Ø 10mm	
81 156 37	Citroen	8	18	546	290	425	Plastic ball head	Plastic ball head	New 2009
81 156 38	Citroen	8	18	557	275	530	Plastic ball head	Plastic ball head	New 2009
81 156 39	Citroen	8	18	557	275	500	Plastic ball head	Plastic ball head	New 2009
81 156 40	Citroen	8	18	495	210	585	Plastic ball head	Plastic ball head	New 2009
81 156 41	Citroen	8	18	388	155	465	Plastic ball head	Plastic ball head	New 2009
81 156 42	Citroen	8	18	580	195	580	Plastic ball head	Plastic ball head	New 2009
81 156 43	Citroen	8	18	587	210	675	Plastic ball head	Plastic ball head	New 2009
81 156 44	Citroen	8	18	588	250	110	Plastic ball head	Plastic ball head	New 2009
81 156 45	Citroen	8	18	636	260	595	Plastic ball head	Plastic ball head	New 2009
81 156 46	Citroen	8	18	527	220	125	Plastic ball head	Plastic ball head	New 2009
81 156 47	Citroen	10	22	700	175	1050	Plastic ball head	Plastic ball head	New 2009
81 156 48	Citroen	8	18	493	198	420	Plastic ball head	Special	New 2009
81 156 49	Citroen	8	19	472	178	540	Plastic ball head	Special	New 2009
81 156 50	Citroen	10	22	547	225	535	Plastic ball head	Plastic ball head	New 2009
81 156 51	Citroen	8	20	375	140	495	Special	Plastic ball head	New 2009
81 156 52	Citroen	8	18	554	228	305	Plastic ball head	Plastic ball head	New 2009
81 156 53	Citroen	8	18	636	260	565	Plastic ball head	Plastic ball head	New 2009
81 177 00	Daewoo	10	22	473	183	410	92078 M6x1,0 plastic ball head Ø 10mm	92077 M6x1,0 plastic ball head Ø 10mm (10')	
81 177 01	Daewoo	8	18	496	200	252	92076 M6x1,0 plastic ball head Ø 10mm	92076 M6x1,0 plastic ball head Ø 10mm	
81 177 02	Daewoo	8	18	447	172	520	92076 M6x1,0 plastic ball head Ø 10mm	92076 M6x1,0 plastic ball head Ø 10mm	
81 177 03	Daewoo	8	18	457	190	544	92078 M6x1,0 plastic ball head Ø 10mm	92078 M6x1,0 plastic ball head Ø 10mm	New 2009
81 177 04	Daewoo	8	18	490	191	510	Plastic ball head	Plastic ball head	New 2009

Lesjöfors	Application	Rod Ø	Cyl Ø	Extended length	Stroke	Force (N)	Piston Rod, end fitting Drawing reference (see page 70-72)	Cylinder, end fitting Drawing reference (see page 70-72)	Info
81 177 05	Daewoo	8	18	406	162	335	Plastic ball head	Plastic ball head	New 2009
81 177 06	Daewoo	10	22	384	147	644	Plastic ball head	Plastic ball head	New 2009
81 177 07	Daewoo	10	22	433,5	172	460	Plastic ball head	Plastic ball head	New 2009
81 191 00	Daihatsu	12,5	22	507	120	528	92019 M6x1,0 ball head Ø 10mm	Special	
81 191 02	Daihatsu	12,5	22	507	120	528	92019 M6x1,0 ball head Ø 10mm	Special	
81 191 04	Daihatsu	8	18	575	214	155	Special	Special	
81 191 05	Daihatsu	8	18	590	195	201	Special	Special	
81 191 06	Daihatsu	8	18	575	214	155	Special	Special	
81 191 07	Daihatsu	8	18	590	195	201	Special	Special	
81 191 08	Daihatsu	10	22	575	220	500	Special	Special	
81 191 10	Daihatsu	8	18	600	242	259	Special	Special	
81 191 11	Daihatsu	8	18	600	242	259	Special	Special	
81 261 00	Fiat	8	18	600	269	230	92011 Welded eye Ø 8mm	92011 Welded eye Ø 8mm	
81 261 01	Fiat	8	18	543	240	370	92011 Welded eye Ø 8mm	92011 Welded eye Ø 8mm	
81 261 02	Fiat	8	18	601	269	320	92011 Welded eye Ø 8mm	92011 Welded eye Ø 8mm	
81 261 04	Fiat	8	18	500	202	470	92076 M6x1,0 Plastic ball head Ø 10mm	92076 M6x1,0 Plastic ball head Ø 10mm	
81 261 05	Fiat	10	22	805	357	400	92007 Special eye Ø 8mm	92016 M8x1,0 eye Ø 8,2mm	
81 261 06	Fiat	8	18	550	222	200	92011 Welded eye Ø 8mm	93039 Special	
81 261 07	Fiat	8	18	444	180	300	92076 M6x1,0 plastic ball head Ø 10mm	92076 M6x1,0 plastic ball head Ø 10mm	
81 261 08	Fiat	8	18	538	230	300	92076 M6x1,0 plastic ball head Ø 10mm	92076 M6x1,0 plastic ball head Ø 10mm	
81 261 09	Fiat	8	18	600	269	220	92011 Welded eye Ø 8mm	92011 Welded eye Ø 8mm	
81 261 11	Fiat	8	18	595	250	280	92076 M6x1,0 plastic ball head Ø 10mm	92076 M6x1,0 plastic ball head Ø 10mm	
81 261 12	Fiat	8	18	585	250	280	92076 M6x1,0 plastic ball head Ø 10mm	92077 M6x1,0 plastic ball head Ø 10mm (10°)	
81 261 13	Fiat	8	18	590	260	410	92076 M6x1,0 plastic ball head Ø 10mm	92076 M6x1,0 plastic ball head Ø 10mm	
81 261 14	Fiat	8	18	565	230	290	92076 M6x1,0 plastic ball head Ø 10mm	92076 M6x1,0 plastic ball head Ø 10mm	
81 261 15	Fiat	8	18	585	250	430	92076 M6x1,0 plastic ball head Ø 10mm	92076 M6x1,0 plastic ball head Ø 10mm	
81 261 18	Fiat	8	18	600	269	310	92011 Welded eye Ø 8mm	92011 Welded eye Ø 8mm	
81 261 19	Fiat	8	18	576	250	210	92076 M6x1,0 plastic ball head Ø 10mm	92076 M6x1,0 plastic ball head Ø 10mm	
81 261 20	Fiat	8	18	630	275	330	92077 M6x1,0 plastic ball head Ø 10mm (10°)	92076 M6x1,0 plastic ball head Ø 10mm	
81 261 21	Fiat	8	18	625	275	640	92076 M6x1,0 plastic ball head Ø 10mm	92076 M6x1,0 plastic ball head Ø 10mm	
81 261 22	Fiat	8	18	520	200	360	92076 M6x1,0 plastic ball head Ø 10mm	92076 M6x1,0 plastic ball head Ø 10mm	
81 261 23	Fiat	8	18	468	200	320	92076 M6x1,0 plastic ball head Ø 10mm	92076 M6x1,0 plastic ball head Ø 10mm	
81 261 24	Fiat	8	18	403	169	170	92076 M6x1,0 plastic ball head Ø 10mm	92076 M6x1,0 plastic ball head Ø 10mm	
81 261 25	Fiat	8	18	505	220	420	92076 M6x1,0 plastic ball head Ø 10mm	92076 M6x1,0 plastic ball head Ø 10mm	
81 261 26	Fiat	8	18	472	188	330	92076 M6x1,0 plastic ball head Ø 10mm	92076 M6x1,0 plastic ball head Ø 10mm	
81 261 27	Fiat	8	18	568	242	210	M6x1,0 plastic ball head Ø 10mm	M6x1,0 plastic ball head Ø 10mm	
81 261 28	Fiat	8	18	630	237	490	92076 M6x1,0 plastic ball head Ø 10mm	92076 M6x1,0 plastic ball head Ø 10mm	
81 261 29	Fiat	8	18	505	213	520	92076 M6x1,0 plastic ball head Ø 10mm	92078 M6x1,0 plastic ball head Ø 10mm	
81 261 30	Fiat	8	18	438	183	460	M6x1,0 plastic ball head Ø 10mm	M6x1,0 plastic ball head Ø 10mm	
81 261 31	Fiat	8	18	438	183	460	92076 M6x1,0 plastic ball head Ø 10mm	92076 M6x1,0 plastic ball head Ø 10mm	
81 261 32	Fiat	8	18	505	205	380	92076 M6x1,0 plastic ball head Ø 10mm	92076 M6x1,0 plastic ball head Ø 10mm	
81 261 34	Fiat	8	18	517	220	570	92078 M6x1,0 plastic ball head Ø 10mm	92078 M6x1,0 plastic ball head Ø 10mm	
81 261 35	Fiat	8	18	550	241	390	Plastic eye	Special	New 2009
81 261 36	Fiat	8	18	455	165	380	Plastic ball head	Plastic ball head	New 2009
81 261 37	Fiat	10	22	604	230	740	Plastic ball head	Plastic ball head	New 2009
81 261 38	Fiat	10	22	866	360	370	Plastic ball head	Plastic ball head	New 2009
81 261 39	Fiat	8	18	503	209	280	Plastic ball head	Plastic ball head	New 2009
81 261 40	Fiat	8	18	473	186	480	Plastic ball head	Plastic ball head	New 2009
81 261 41	Fiat	8	18	627	285	460	Plastic ball head	Plastic ball head	New 2009
81 261 42	Fiat	10	22	604	210	810	Plastic ball head	Plastic ball head	New 2009
81 261 43	Fiat	10	22	604	210	850	Plastic ball head	Plastic ball head	New 2009
81 261 44	Fiat	8	18	392	158	180	Plastic ball head	Plastic ball head	New 2009
81 261 45	Fiat	8	18	435	180	350	Plastic ball head	Plastic ball head	New 2009
81 261 47	Fiat	10	22	700	175	1050	Plastic ball head	Plastic ball head	New 2009
81 275 00	Ford	8	18	575	230	260	92076 M6x1,0 plastic ball head Ø 10mm	92076 M6x1,0 plastic ball head Ø 10mm	
81 275 01	Ford	8	18	575	230	305	92076 M6x1,0 plastic ball head Ø 10mm	92076 M6x1,0 plastic ball head Ø 10mm	
81 275 03	Ford	8	18	575	230	425	92076 M6x1,0 plastic ball head Ø 10mm	92076 M6x1,0 plastic ball head Ø 10mm	
81 275 04	Ford	8	18	595	250	370	92076 M6x1,0 plastic ball head Ø 10mm	92076 M6x1,0 plastic ball head Ø 10mm	
81 275 05	Ford	8	18	585	250	440	92076 M6x1,0 plastic ball head Ø 10mm	92076 M6x1,0 plastic ball head Ø 10mm	
81 275 06	Ford	8	18	592	242	345	92076 M6x1,0 plastic ball head Ø 10mm	92076 M6x1,0 plastic ball head Ø 10mm	
81 275 07	Ford	8	18	595	250	400	92076 M6x1,0 plastic ball head Ø 10mm	92076 M6x1,0 plastic ball head Ø 10mm	
81 275 08	Ford	8	18	556	242	330	92076 M6x1,0 plastic ball head Ø 10mm	92076 M6x1,0 plastic ball head Ø 10mm	
81 275 09	Ford	8	18	560	242	380	92076 M6x1,0 plastic ball head Ø 10mm	92076 M6x1,0 plastic ball head Ø 10mm	
81 275 10	Ford	8	18	555	242	485	92076 M6x1,0 plastic ball head Ø 10mm	92076 M6x1,0 plastic ball head Ø 10mm	
81 275 11	Ford	8	18	535	230	420	92076 M6x1,0 plastic ball head Ø 10mm	92076 M6x1,0 plastic ball head Ø 10mm	
81 275 12	Ford	8	18	542	230	440	92076 M6x1,0 plastic ball head Ø 10mm	92076 M6x1,0 plastic ball head Ø 10mm	
81 275 13	Ford	8	18	547	230	495	92076 M6x1,0 plastic ball head Ø 10mm	92076 M6x1,0 plastic ball head Ø 10mm	
81 275 14	Ford	8	18	578	242	325	92076 M6x1,0 plastic ball head Ø 10mm	92076 M6x1,0 plastic ball head Ø 10mm	
81 275 15	Ford	8	18	315	115	300	92076 M6x1,0 plastic ball head Ø 10mm	92076 M6x1,0 plastic ball head Ø 10mm	
81 275 16	Ford	8	18	615	260	360	92012 M6x1,0 eye Ø 13,1mm	92012 M6x1,0 eye Ø 13,1mm	
81 275 17	Ford	8	18	615	260	300	92076 M6x1,0 plastic ball head Ø 10mm	92076 M6x1,0 plastic ball head Ø 10mm	

Lesjöfors	Application	Rod Ø	Cyl Ø	Extended length	Stroke	Force (N)	Piston Rod, end fitting Drawing reference (see page 70–72)		Cylinder, end fitting Drawing reference (see page 70–72)		Info
81 275 18	Ford	8	18	615	260	350	92076	M6x1,0 plastic ball head Ø 10mm	92076	M6x1,0 plastic ball head Ø 10mm	
81 275 19	Ford	10	22	565	230	590	92076	M6x1,0 plastic ball head Ø 10mm	92076	M6x1,0 plastic ball head Ø 10mm	
81 275 20	Ford	10	22	565	230	645	92076	M6x1,0 plastic ball head Ø 10mm	92076	M6x1,0 plastic ball head Ø 10mm	
81 275 21	Ford	8	18	580	242	260	92076	M6x1,0 plastic ball head Ø 10mm	92076	M6x1,0 plastic ball head Ø 10mm	
81 275 22	Ford	8	18	578	242	295	92076	M6x1,0 plastic ball head Ø 10mm	92076	M6x1,0 plastic ball head Ø 10mm	
81 275 23	Ford	8	18	565	242	450	92012	M6x1,0 eye Ø 13,1mm	Thread	M10x1,75 Thread	
81 275 24	Ford	8	18	553	230	515	92078	M6x1,0 plastic ball head Ø 10mm	92076	M6x1,0 plastic ball head Ø 10mm	
81 275 25	Ford	8	18	553	230	560	92078	M6x1,0 plastic ball head Ø 10mm	92076	M6x1,0 plastic ball head Ø 10mm	
81 275 27	Ford	8	18	483	171	640	92076	M6x1,0 plastic ball head Ø 10mm	92076	M6x1,0 plastic ball head Ø 10mm	
81 275 29	Ford	8	18	245	89	330	92011	Welded eye Ø 8mm	92011	Welded eye Ø 8mm	
81 275 31	Ford	8	18	500	190	635	92076	M6x1,0 plastic ball head Ø 10mm	92076	M6x1,0 plastic ball head Ø 10mm	
81 275 32	Ford	10	22	500	200	780	92076	M6x1,0 plastic ball head Ø 10mm	92076	M6x1,0 plastic ball head Ø 10mm	
81 275 33	Ford	8	18	565	242	480	92077	M6x1,0 plastic ball head Ø 10mm (10')	92076	M6x1,0 plastic ball head Ø 10mm	
81 275 34	Ford	8	18	490	200	460	92076	M6x1,0 plastic ball head Ø 10mm	92076	M6x1,0 plastic ball head Ø 10mm	
81 275 35	Ford	8	18	490	200	510	92076	M6x1,0 plastic ball head Ø 10mm	92076	M6x1,0 plastic ball head Ø 10mm	
81 275 36	Ford	10	22	490	200	750	92076	M6x1,0 plastic ball head Ø 10mm	92076	M6x1,0 plastic ball head Ø 10mm	
81 275 37	Ford	8	18	485	200	470	92076	M6x1,0 plastic ball head Ø 10mm	92076	M6x1,0 plastic ball head Ø 10mm	
81 275 38	Ford	8	18	485	200	460	92076	M6x1,0 plastic ball head Ø 10mm	92076	M6x1,0 plastic ball head Ø 10mm	
81 275 39	Ford	8	18	445	180	310	92077	M6x1,0 plastic ball head Ø 10mm (10')	92077	M6x1,0 plastic ball head Ø 10mm (10')	
81 275 40	Ford	8	18	285	100	230	92022	M8x1,0 ball head Ø 10mm	92022	M8x1,0 ball head Ø 10mm	
81 275 41	Ford	8	18	578	250	285	92022	M8x1,0 ball head Ø 10mm	92022	M8x1,0 ball head Ø 10mm	
81 275 42	Ford	8	18	256	90	500	92022	M8x1,0 ball head Ø 10mm	92022	M8x1,0 ball head Ø 10mm	
81 275 43	Ford	10	22	256	92	630	92022	M8x1,0 ball head Ø 10mm	92022	M8x1,0 ball head Ø 10mm	
81 275 44	Ford	10	22	551	235	810	92022	M8x1,0 ball head Ø 10mm	92022	M8x1,0 ball head Ø 10mm	
81 275 45	Ford	10	22	551	235	850	92022	M8x1,0 ball head Ø 10mm	92022	M8x1,0 ball head Ø 10mm	
81 275 46	Ford	8	18	580	250	200	92076	M6x1,0 plastic ball head Ø 10mm	92077	M6x1,0 plastic ball head Ø 10mm	
81 275 47	Ford	8	18	465	149	655	92076	M6x1,0 plastic ball head Ø 10mm	92076	M6x1,0 plastic ball head Ø 10mm	
81 275 48	Ford	8	18	512	220	550	92076	M6x1,0 plastic ball head Ø 10mm	92076	M6x1,0 plastic ball head Ø 10mm	
81 275 49	Ford	10	27,4	590	212	790	92077	M6x1,0 plastic ball head Ø 10mm (10')	92077	M6x1,0 plastic ball head Ø 10mm (10')	
81 275 50	Ford	8	18	300	100	560	92078	M6x1,0 plastic ball head Ø 10mm	92078	M6x1,0 plastic ball head Ø 10mm	
81 275 51	Ford	8	18	534	250	585	92076	M6x1,0 plastic ball head Ø 10mm	92076	M6x1,0 plastic ball head Ø 10mm	
81 275 52	Ford	8	18	553	242	475	92076	M6x1,0 plastic ball head Ø 10mm	92077	M6x1,0 plastic ball head Ø 10mm (10')	
81 275 53	Ford	10	22	850	350	670	92076	M6x1,0 plastic ball head Ø 10mm	92076	M6x1,0 plastic ball head Ø 10mm	
81 275 54	Ford	8	18	280	109	420	92078	M6x1,0 plastic ball head Ø 10mm	92078	M6x1,0 plastic ball head Ø 10mm	
81 275 55	Ford	8	18	555	214	500	92076	M6x1,0 plastic ball head Ø 10mm	92076	M6x1,0 plastic ball head Ø 10mm	
81 275 56	Ford	8	18	600	200	440	92076	M6x1,0 plastic ball head Ø 10mm	92076	M6x1,0 plastic ball head Ø 10mm	
81 275 57	Ford	8	18	455	127	700	92076	M6x1,0 plastic ball head Ø 10mm	92076	M6x1,0 plastic ball head Ø 10mm	
81 275 58	Ford	8	18	567	238	460	92076	M6x1,0 plastic ball head Ø 10mm	92076	M6x1,0 plastic ball head Ø 10mm	
81 275 59	Ford	8	18	483	199	530	92076	M6x1,0 plastic ball head Ø 10mm	92076	M6x1,0 plastic ball head Ø 10mm	
81 275 60	Ford	8	18	583	260	420	92076	M6x1,0 plastic ball head Ø 10mm	92076	M6x1,0 plastic ball head Ø 10mm	
81 275 61	Ford	8	18	279	89	510	92076	M6x1,0 plastic ball head Ø 10mm	92076	M6x1,0 plastic ball head Ø 10mm	
81 275 62	Ford	8	18	623	220	575	92076	M6x1,0 plastic ball head Ø 10mm	92076	M6x1,0 plastic ball head Ø 10mm	New 2009
81 275 63	Ford	10	27,4	573	200	990		Plastic ball head		Plastic ball head	New 2009
81 275 64	Ford	10	22	605	245	635		Plastic ball head		Plastic ball head	New 2009
81 275 65	Ford	8	18	203	65	480		Plastic ball head		Plastic ball head	New 2009
81 275 66	Ford	8	18	552	253	670		Plastic ball head		Plastic ball head	New 2009
81 275 67	Ford	8	18	554	253	715		Plastic ball head		Plastic ball head	New 2009
81 275 68	Ford	8	18	381	128	540		Plastic ball head		Plastic ball head	New 2009
81 275 69	Ford	8	18	538	220	585		Plastic ball head		Plastic ball head	New 2009
81 275 70	Ford	8	18	677	293	480		Plastic ball head		Plastic ball head	New 2009
81 357 00	Honda	8	18	565	222	300	93042	Special	93041	Special	
81 357 01	Honda	10	22	353	111	610	93018	Special	93041	Special	
81 357 02	Honda	10	22	353	111	610	93019	Special	93041	Special	
81 357 03	Honda	10	22	566	225	450	93037	M8x1,0 ball head Ø 10mm incl. Ball bolt	93010	Special	
81 357 04	Honda	10	22	566	225	450	93037	M8x1,0 ball head Ø 10mm incl. Ball bolt	93011	Special	
81 357 05	Honda	8	18	555	230	450	93037	M8x1,0 ball head Ø 10mm incl. Ball bolt	93020	Special	
81 357 06	Honda	8	18	555	230	450	93037	M8x1,0 ball head Ø 10mm incl. Ball bolt	93021	Special	
81 357 07	Honda	8	18	538	200	340	93037	M8x1,0 ball head Ø 10mm incl. Ball bolt	93038	Special	
81 357 08	Honda	8	18	377	149	230	92022	M8x1,0 ball head Ø 10mm	92022	M8x1,0 ball head Ø 10mm	
81 357 09	Honda	8	18	664	230	375	93037	M8x1,0 ball head Ø 10mm incl. Ball bolt	93022	Special	
81 357 10	Honda	10	22	579	240	430	93037	M8x1,0 ball head Ø 10mm incl. Ball bolt	93012	Special	
81 357 11	Honda	10	22	579	240	430	93037	M8x1,0 ball head Ø 10mm incl. Ball bolt	93013	Special	
81 357 12	Honda	8	18	515	210	490	92078	M6x1,0 plastic ball head Ø 10mm	92078	M6x1,0 plastic ball head Ø 10mm	
81 357 13	Honda	10	22	624	260	280		Special	93038	Special	
81 357 14	Honda	10	22	624	260	280		Special	93038	Special	
81 357 15	Honda	10	22	415	158	475		Special		Special	
81 357 16	Honda	10	22	415	158	475		Special		Special	
81 357 17	Honda	10	22	550	160	710	92076	M6x1,0 plastic ball head Ø 10mm	92077	M6x1,0 plastic ball head Ø 10mm (10')	
81 357 18	Honda	8	18	585	238	500	92078	M6x1,0 plastic ball head Ø 10mm	92078	M6x1,0 plastic ball head Ø 10mm	
81 357 20	Honda	8	18	738	293	138		Special		Special	
81 357 21	Honda	8	18	635	234	197		Special		Special	

Lesjöfors	Application	Rod Ø	Cyl Ø	Extended length	Stroke	Force (N)	Piston Rod, end fitting Drawing reference (see page 70–72)		Cylinder, end fitting Drawing reference (see page 70–72)		Info
81 357 22	Honda	8	18	502	204	400	92076	M6x1,0 plastic ball head Ø 10mm	92076	M6x1,0 plastic ball head Ø 10mm	
81 357 23	Honda	8	18	566	223	360	92076	M6x1,0 plastic ball head Ø 10mm	92077	M6x1,0 plastic ball head Ø 10mm (10')	
81 357 25	Honda	8	18	683	287	390	92018	M6x1,0 ball head Ø 10mm	92018	M6x1,0 ball head Ø 10mm	
81 357 26	Honda	10	22	725	235	371		Special		Special	
81 357 27	Honda	10	22	690	217	389		Special		Special	
81 357 28	Honda	10	22	690	217	389		Special		Special	
81 357 29	Honda	8	18	639	258	465		Plastic ball head		Plastic ball head	New 2009
81 357 30	Honda	8	18	355	140	115		Plastic ball head		Plastic ball head	New 2009
81 372 00	Hyundai	10	22	538	211	450	92076	M6x1,0 plastic ball head Ø 10mm	92076	M6x1,0 plastic ball head Ø 10mm	
81 372 01	Hyundai	8	18	604	244	320		Special	92076	M6x1,0 plastic ball head Ø 10mm	
81 372 02	Hyundai	8	18	604	244	320		Special	92076	M6x1,0 plastic ball head Ø 10mm	
81 372 03	Hyundai	12,5	27,4	805	240	720		Special		Special	
81 372 04	Hyundai	12,5	27,4	805	240	720		Special		Special	
81 372 05	Hyundai	8	18	450	171	363	92076	M6x1,0 plastic ball head Ø 10mm		Special	
81 372 06	Hyundai	8	18	450	167	422	92076	M6x1,0 plastic ball head Ø 10mm		Special	
81 372 07	Hyundai	10	22	518	206	397	92076	M6x1,0 plastic ball head Ø 10mm	92076	M6x1,0 plastic ball head Ø 10mm	
81 372 08	Hyundai	10	22	567	238	570	92076	M6x1,0 plastic ball head Ø 10mm	92076	M6x1,0 plastic ball head Ø 10mm	
81 372 09	Hyundai	8	18	579	225	460		Plastic ball head		Special	New 2009
81 372 10	Hyundai	8	18	579	225	460		Plastic ball head		Special	New 2009
81 372 11	Hyundai	8	18	588	220	520		Plastic ball head		Plastic ball head	New 2009
81 372 12	Hyundai	8	18	588	220	520		Plastic ball head		Plastic ball head	New 2009
81 372 13	Hyundai	8	18	576	225	420		Plastic ball head		Special	New 2009
81 372 14	Hyundai	8	18	576	225	420		Plastic ball head		Special	New 2009
81 372 15	Hyundai	8	18	588	220	550		Plastic ball head		Plastic ball head	New 2009
81 372 16	Hyundai	8	18	588	220	550		Plastic ball head		Plastic ball head	New 2009
81 372 17	Hyundai	8	18	483	191	370		Plastic ball head		Plastic ball head	New 2009
81 372 18	Hyundai	8	18	571	209	630		Plastic ball head		Plastic ball head	New 2009
81 372 19	Hyundai	8	18	435	170	100		Plastic ball head		Plastic ball head	New 2009
81 372 20	Hyundai	8	18	557	222	550		Plastic ball head		Plastic ball head	New 2009
81 372 21	Hyundai	10	22	453	177	655		Plastic ball head		Plastic ball head	New 2009
81 372 22	Hyundai	8	18	515	200	585		Plastic ball head		Plastic ball head	New 2009
81 372 23	Hyundai	8	18	381	152	140		Plastic ball head		Plastic ball head	New 2009
81 372 24	Hyundai	10	22	540	227	440		Special		Special	New 2009
81 372 25	Hyundai	10	22	540	227	440		Special		Special	New 2009
81 421 00	Jeep	10	22	563	197			Plastic ball head		Special	New 2009
81 421 01	Jeep	8	18	451	183	155		Plastic ball head		Plastic ball head	New 2009
81 421 02	Jeep	10	22	469	136	838		Special		Special	New 2009
81 421 03	Jeep	8	18	507	205	585		Plastic ball head		Plastic ball head	New 2009
81 421 04	Jeep	8	18	381	128	200		Plastic ball head		Plastic ball head	New 2009
81 442 00	Kia	10	22	617	244	371		Special		Special	
81 442 01	Kia	10	22	617	244	371		Special		Special	
81 442 02	Kia	8	18	600	239	90		Special		Special	
81 442 03	Kia	8	18	600	241	170	92078	M6x1,0 plastic ball head Ø 10mm	92078	M6x1,0 plastic ball head Ø 10mm	
81 442 04	Kia	8	18	687	278	530		Special		Special	
81 442 05	Kia	10	22	565	198	363		Special		Special	
81 442 06	Kia	10	22	565	198	363		Special		Special	
81 442 07	Kia	8	18	783	311	180		Ball head inc. Ball bolt		Special	
81 442 08	Kia	8	18	783	311	180		Ball head inc. Ball bolt		Special	
81 442 09	Kia	8	18	514	215	490		Plastic ball head		Plastic ball head	New 2009
81 442 10	Kia	10	22	736	340	725		Plastic ball head		Plastic ball head	New 2009
81 442 11	Kia	8	18	479	195	335		Special		Plastic ball head	New 2009
81 442 12	Kia	8	18	479	195	335		Special		Plastic ball head	New 2009
81 442 13	Kia	8	18	490	200	380		Plastic ball head		Plastic ball head	New 2009
81 442 14	Kia	8	18	566	250	360		Special		Special	New 2009
81 442 15	Kia	8	18	566	250	360		Special		Special	New 2009
81 442 16	Kia	8	18	546	210	595		Plastic ball head		Plastic ball head	New 2009
81 442 17	Kia	6	15	362	148	100		Plastic ball head		Plastic ball head	New 2009
81 442 18	Kia	8	18	412	160	540		Plastic ball head		Special	New 2009
81 442 19	Kia	8	18	412	160	540		Plastic ball head		Special	New 2009
81 442 20	Kia	8	18	565	225	560		Plastic ball head		Plastic ball head	New 2009
81 442 21	Kia	8	18	481	184	135		Plastic ball head		Plastic ball head	New 2009
81 470 00	Lada	10	22	455	185	300	93035	M6x1,0 ball head Ø 10mm incl. Ball bolt	93035	M6x1,0 ball head Ø 10mm incl. Ball bolt	
81 484 00	Lancia	8	18	270	100	440	92076	M6x1,0 plastic ball head Ø 10mm	92076	M6x1,0 plastic ball head Ø 10mm	
81 484 01	Lancia	8	18	600	250	160	92076	M6x1,0 plastic ball head Ø 10mm	92076	M6x1,0 plastic ball head Ø 10mm	
81 484 02	Lancia	8	18	484	196	320		Plastic ball head		Plastic ball head	New 2009
81 484 03	Lancia	8	18	473	186	480		Plastic ball head		Plastic ball head	New 2009
81 554 00	Mazda	8	18	665	200	400	93037	M8x1,0 ball head Ø 10mm incl. Ball bolt	93000	Special	
81 554 01	Mazda	8	18	665	200	400	93037	M8x1,0 ball head Ø 10mm incl. Ball bolt	93001	Special	
81 554 02	Mazda	8	18	533	200	350	93037	M8x1,0 ball head Ø 10mm incl. Ball bolt	93000	Special	
81 554 03	Mazda	8	18	533	200	350	93037	M8x1,0 ball head Ø 10mm incl. Ball bolt	93001	Special	
81 554 04	Mazda	8	18	698	280	300	93037	M8x1,0 ball head Ø 10mm incl. Ball bolt	93000	Special	

Lesjöfors	Application	Rod Ø	Cyl Ø	Extended length	Stroke	Force (N)	Piston Rod, end fitting Drawing reference (see page 70–72)	Cylinder, end fitting Drawing reference (see page 70–72)	Info
81 554 05	Mazda	8	18	698	280	300	93037 M8x1,0 ball head Ø 10mm incl. Ball bolt	93001 Special	
81 554 06	Mazda	10	22	649	282	400	93037 M8x1,0 ball head Ø 10mm incl. Ball bolt	93000 Special	
81 554 07	Mazda	10	22	649	282	400	93037 M8x1,0 ball head Ø 10mm incl. Ball bolt	93001 Special	
81 554 08	Mazda	10	22	495	185	650	93035 M6x1,0 ball head Ø 10mm incl. Ball bolt	93000 Special	
81 554 09	Mazda	10	22	495	185	650	93035 M6x1,0 ball head Ø 10mm incl. Ball bolt	93001 Special	
81 554 10	Mazda	8	18	665	268	300	92022 M8x1,0 ball head Ø 10mm	Special	
81 554 11	Mazda	8	18	665	268	300	92022 M8x1,0 ball head Ø 10mm	Special	
81 554 12	Mazda	10	22	530	211	340	92022 M8x1,0 ball head Ø 10mm	Special	
81 554 13	Mazda	10	22	530	211	340	92022 M8x1,0 ball head Ø 10mm	Special	
81 554 14	Mazda	10	22	543	211	390	92022 M8x1,0 ball head Ø 10mm	Special	
81 554 15	Mazda	10	22	543	211	390	92022 M8x1,0 ball head Ø 10mm	Special	
81 554 16	Mazda	10	22	618	254	435	Special	Special	
81 554 17	Mazda	10	22	618	254	435	Special	Special	
81 554 18	Mazda	10	22	573	230	293	Special	Special	
81 554 19	Mazda	10	22	573	230	293	Special	Special	
81 554 20	Mazda	10	22	585	235	306	Special	Special	
81 554 21	Mazda	10	22	585	235	306	Special	Special	
81 554 22	Mazda	10	22	510	190	490	92076 M6x1,0 plastic ball head Ø 10mm	92076 M6x1,0 plastic ball head Ø 10mm	
81 554 23	Mazda	10	18	580	275	480	92077 M6x1,0 plastic ball head Ø 10mm (10')	92076 M6x1,0 plastic ball head Ø 10mm	
81 554 24	Mazda	10	22	585	237	461	Special	Special	
81 554 25	Mazda	10	22	585	237	461	Special	Special	
81 554 26	Mazda	10	22	610	260	514	Special	Special	
81 554 27	Mazda	10	22	610	260	514	Special	Special	
81 554 28	Mazda	8	18	605	238	295	Special	Special	
81 554 29	Mazda	8	18	605	238	295	Special	Special	
81 554 30	Mazda	10	22	620	202	543	Special	Special	
81 554 31	Mazda	10	22	620	202	543	Special	Special	
81 554 32	Mazda	10	22	500	193	404	Special	Special	
81 554 33	Mazda	10	22	500	193	404	Special	Special	
81 554 34	Mazda	10	22	687	278	530	Special	Special	New 2009
81 554 35	Mazda	8	18	578	242	325	92076 M6x1,0 plastic ball head Ø 10mm	92076 M6x1,0 plastic ball head Ø 10mm	New 2009
81 554 36	Mazda	8	18	566	242	480	92076 M6x1,0 plastic ball head Ø 10mm	92077 M6x1,0 plastic ball head Ø 10mm (10')	New 2009
81 554 37	Mazda	8	18	540	226	390	Plastic ball head	Plastic ball head	New 2009
81 554 38	Mazda	8	22	557	212	466	Plastic ball head	Special	New 2009
81 554 39	Mazda	8	22	557	212	466	Plastic ball head	Special	New 2009
81 568 00	Mercedes	8	18	540	220	370	92078 M6x1,0 plastic ball head Ø 10mm	92078 M6x1,0 plastic ball head Ø 10mm	
81 568 01	Mercedes	8	18	485	195	450	92078 M6x1,0 plastic ball head Ø 10mm	92078 M6x1,0 plastic ball head Ø 10mm	
81 568 02	Mercedes	10	27,4	326	112	1400	92018 M6x1,0 ball head Ø 10mm	92018 M6x1,0 ball head Ø 10mm	
81 568 03	Mercedes	10	27,4	773	329	630	92076 M6x1,0 plastic ball head Ø 10mm	92076 M6x1,0 plastic ball head Ø 10mm	
81 568 04	Mercedes	10	27	278	92	1780	Special	Special	
81 568 05	Mercedes	8	18	510	208	470	92019 M6x1,0 ball head Ø 10mm	92076 M6x1,0 plastic ball head Ø 10mm	
81 568 07	Mercedes	8	18	640	265	510	92076 M6x1,0 plastic ball head Ø 10mm	92077 M6x1,0 plastic ball head Ø 10mm (10')	
81 568 08	Mercedes	10	22	666	256	755	92076 M6x1,0 plastic ball head Ø 10mm	92076 M6x1,0 plastic ball head Ø 10mm	
81 568 09	Mercedes	8	18	694	283	640	92076 M6x1,0 plastic ball head Ø 10mm	92076 M6x1,0 plastic ball head Ø 10mm	
81 568 10	Mercedes	8	18	498	200	430	Plastic ball head	Plastic ball head	New 2009
81 568 11	Mercedes	10	22	540	225	450	Plastic ball head	Plastic ball head	New 2009
81 568 12	Mercedes	10	22	543	230	460	Plastic ball head	Plastic ball head	New 2009
81 568 13	Mercedes	10	22	255	85	610	Plastic ball head	Plastic ball head	New 2009
81 568 14	Mercedes	8	18	255	85	530	Plastic ball head	Plastic ball head	New 2009
81 568 15	Mercedes	10	22	559	180	725	Plastic ball head	Special	New 2009
81 568 16	Mercedes	10	22	559	180	725	Plastic ball head	Special	New 2009
81 568 17	Mercedes	8	18	398	158	295	Ball head	Special	New 2009
81 568 18	Mercedes	8	18	398	158	295	Ball head	Special	New 2009
81 568 19	Mercedes	8	18	349	127	440	Plastic ball head	Plastic ball head	New 2009
81 568 20	Mercedes	8	18	282	98	560	Plastic ball head	Plastic ball head	New 2009
81 585 05	MG	8	18	600	239	360	92076 M6x1,0 plastic ball head Ø 10mm	92076 M6x1,0 plastic ball head Ø 10mm	New 2009
81 585 06	MG	8	18	515	207	445	92078 M6x1,0 plastic ball head Ø 10mm	92078 M6x1,0 plastic ball head Ø 10mm	New 2009
81 585 07	MG	8	18	317	120	370	Plastic ball head	Plastic ball head	New 2009
81 585 08	MG	8	18	565	225	560	Plastic ball head	Plastic ball head	New 2009
81 587 00	Mini	8	18	490	207	330	92077 M6x1,0 plastic ball head Ø 10mm (10')	92077 M6x1,0 plastic ball head Ø 10mm (10')	
81 587 01	Mini	8	18	495	203	370	Plastic ball head	Plastic ball head	New 2009
81 592 00	Mitsubishi	8	18	650	260	460	93035 M6x1,0 ball head Ø 10mm incl. Ball bolt	93035 M6x1,0 ball head Ø 10mm incl. Ball bolt	
81 592 01	Mitsubishi	8	18	570	242	490	92076 M6x1,0 plastic ball head Ø 10mm	92076 M6x1,0 plastic ball head Ø 10mm	
81 592 02	Mitsubishi	8	18	570	242	490	92076 M6x1,0 plastic ball head Ø 10mm	92076 M6x1,0 plastic ball head Ø 10mm	
81 592 03	Mitsubishi	8	18	457	182	180	Special	Special	
81 592 04	Mitsubishi	8	18	470	184	206	Special	Special	
81 592 05	Mitsubishi	8	18	573	220	221	Special	Special	
81 592 06	Mitsubishi	8	18	470	184	206	Special	Special	
81 592 07	Mitsubishi	8	18	573	220	221	Special	Special	
81 592 08	Mitsubishi	12,5	22	645	250	340	Special	Special	
81 592 09	Mitsubishi	10	22	580	173	530	Special	Special	

Lesjöfors	Application	Rod Ø	Cyl Ø	Extended length	Stroke	Force (N)	Piston Rod, end fitting Drawing reference (see page 70–72)	Cylinder, end fitting Drawing reference (see page 70–72)	Info
81 592 10	Mitsubishi	12,5	22	645	250	340	Special	Special	
81 592 11	Mitsubishi	10	22	580	173	530	Special	Special	
81 592 12	Mitsubishi	10	22	585	240	355	Special	Special	
81 592 13	Mitsubishi	10	22	517	192	476	Special	Special	
81 592 14	Mitsubishi	10	22	517	192	476	Special	Special	
81 592 15	Mitsubishi	8	18	555	230	450	92076 M6x1,0 plastic ball head Ø 10mm	92076 M6x1,0 plastic ball head Ø 10mm	
81 592 16	Mitsubishi	10	22	495	195	415	Special	Special	
81 592 17	Mitsubishi	12,5	22	503	183	580	Special	Special	
81 592 18	Mitsubishi	10	22	495	195	415	Special	Special	
81 592 19	Mitsubishi	12,5	22	503	183	580	Special	Special	
81 592 20	Mitsubishi	8	19	472	178	540	Plastic ball head	Special	New 2009
81 592 21	Mitsubishi	8	19	472	178	540	Plastic ball head	Special	New 2009
81 592 22	Mitsubishi	8	18	493	198	420	Plastic ball head	Special	New 2009
81 592 23	Mitsubishi	8	19	472	178	540	Plastic ball head	Special	New 2009
81 592 24	Mitsubishi	8	18	589	245	460	Plastic ball head	Plastic ball head	New 2009
81 592 25	Mitsubishi	12,5	27,4	468	180	610	Ball head	Special	New 2009
81 620 00	Nissan	10	22	697	282	300	93037 M8x1,0 ball head Ø 10mm incl. Ball bolt	93023 Special	
81 620 01	Nissan	10	22	685	225	330	93037 M8x1,0 ball head Ø 10mm incl. Ball bolt	93037 M8x1,0 ball head Ø 10mm incl. Ball bolt	
81 620 02	Nissan	8	18	585	240	215	93014 Special	93016 Special	
81 620 03	Nissan	8	18	585	240	215	93015 Special	93017 Special	
81 620 04	Nissan	10	22	270	75	450	93037 M8x1,0 ball head Ø 10mm incl. Ball bolt	93037 M8x1,0 ball head Ø 10mm incl. Ball bolt	
81 620 05	Nissan	10	22	270	75	550	93037 M8x1,0 ball head Ø 10mm incl. Ball bolt	93037 M8x1,0 ball head Ø 10mm incl. Ball bolt	
81 620 06	Nissan	8	18	592	242	400	93035 M6x1,0 ball head Ø 10mm incl. Ball bolt	93035 M6x1,0 ball head Ø 10mm incl. Ball bolt	
81 620 07	Nissan	10	22	560	225	335	93037 M8x1,0 ball head Ø 10mm incl. Ball bolt	93037 M8x1,0 ball head Ø 10mm incl. Ball bolt	
81 620 08	Nissan	10	22	520	250	665	93035 M6x1,0 ball head Ø 10mm incl. Ball bolt	93035 M6x1,0 ball head Ø 10mm incl. Ball bolt	
81 620 09	Nissan	8	18	635	230	180	93037 M8x1,0 ball head Ø 10mm incl. Ball bolt	93037 M8x1,0 ball head Ø 10mm incl. Ball bolt	
81 620 10	Nissan	10	22	820	327	200	93037 M8x1,0 ball head Ø 10mm incl. Ball bolt	92000 Welded eye Ø 13mm	
81 620 11	Nissan	10	22	820	327	200	93037 M8x1,0 ball head Ø 10mm incl. Ball bolt	92000 Welded eye Ø 13mm	
81 620 12	Nissan	8	18	765	327	235	92076 M6x1,0 plastic ball head Ø 10mm	92076 M6x1,0 plastic ball head Ø 10mm	
81 620 13	Nissan	8	18	540	230	200	93037 M8x1,0 ball head Ø 10mm incl. Ball bolt	93037 M8x1,0 ball head Ø 10mm incl. Ball bolt	
81 620 14	Nissan	8	18	540	230	300	93037 M8x1,0 ball head Ø 10mm incl. Ball bolt	93037 M8x1,0 ball head Ø 10mm incl. Ball bolt	
81 620 15	Nissan	10	22	600	225	325	93037 M8x1,0 ball head Ø 10mm incl. Ball bolt	93037 M8x1,0 ball head Ø 10mm incl. Ball bolt	
81 620 16	Nissan	10	22	520	200	730	93035 M6x1,0 ball head Ø 10mm incl. Ball bolt	93035 M6x1,0 ball head Ø 10mm incl. Ball bolt	
81 620 17	Nissan	10	22	525	230	660	93036 M6x1,0 ball head Ø 10mm incl. Ball bolt	93035 M6x1,0 ball head Ø 10mm incl. Ball bolt	
81 620 18	Nissan	8	18	550	242	290	Special	Special	
81 620 19	Nissan	8	18	550	242	290	Special	Special	
81 620 20	Nissan	8	18	550	242	250	Special	Special	
81 620 21	Nissan	8	18	550	242	250	Special	Special	
81 620 22	Nissan	10	22	470	161	517	Special	Special	
81 620 23	Nissan	10	22	470	161	517	Special	Special	
81 620 24	Nissan	8	18	483	183	351	Special	Special	
81 620 25	Nissan	8	18	520	218	530	92078 M6x1,0 plastic ball head Ø 10mm	92078 M6x1,0 plastic ball head Ø 10mm	
81 620 26	Nissan	8	18	520	218	530	92078 M6x1,0 plastic ball head Ø 10mm	92078 M6x1,0 plastic ball head Ø 10mm	
81 620 27	Nissan	8	18	483	183	351	Special	Special	
81 620 28	Nissan	8	18	530	177	710	92076 M6x1,0 plastic ball head Ø 10mm	92078 M6x1,0 plastic ball head Ø 10mm	
81 620 29	Nissan	6	15	480	162	93	92076 M6x1,0 plastic ball head Ø 10mm	92076 M6x1,0 plastic ball head Ø 10mm	
81 620 30	Nissan	8	18	314	133	420	92076 M6x1,0 plastic ball head Ø 10mm	92076 M6x1,0 plastic ball head Ø 10mm	
81 620 31	Nissan	10	22	773	330	500	92078 M6x1,0 plastic ball head Ø 10mm	92078 M6x1,0 plastic ball head Ø 10mm	
81 620 32	Nissan	8	18	557	220	302	Special	Special	
81 620 33	Nissan	8	18	557	220	295	Special	Special	
81 620 34	Nissan	10	22	525	203	471	Special	Special	
81 620 35	Nissan	10	22	525	203	471	Special	Special	
81 620 36	Nissan	8	18	526	190	575	92078 M6x1,0 plastic ball head Ø 10mm	92078 M6x1,0 plastic ball head Ø 10mm	
81 620 37	Nissan	8	18	470	183	590	Special	92076 M6x1,0 plastic ball head Ø 10mm	
81 620 38	Nissan	8	18	500	199	360	92076 M6x1,0 plastic ball head Ø 10mm	92076 M6x1,0 plastic ball head Ø 10mm	
81 620 39	Nissan	8	18	267	88	510	92076 M6x1,0 plastic ball head Ø 10mm	92076 M6x1,0 plastic ball head Ø 10mm	
81 620 40	Nissan	8	18	540	215	340	Plastic ball head	Plastic ball head	New 2009
81 620 41	Nissan	8	18	590	179	425	Plastic ball head	Plastic ball head	New 2009
81 620 42	Nissan	8	18	535	220	410	Plastic ball head	Special	New 2009
81 620 43	Nissan	8	18	535	220	410	Plastic ball head	Special	New 2009
81 620 44	Nissan	8	18	528	220	410	Plastic ball head	Special	New 2009
81 620 45	Nissan	8	18	528	220	410	Plastic ball head	Special	New 2009
81 634 00	Opel	8	18	510	210	350	92077 M6x1,0 plastic ball head Ø 10mm (10°)	92076 M6x1,0 plastic ball head Ø 10mm	
81 634 01	Opel	8	18	510	210	390	92077 M6x1,0 plastic ball head Ø 10mm (10°)	92076 M6x1,0 plastic ball head Ø 10mm	
81 634 02	Opel	8	18	510	210	440	92077 M6x1,0 plastic ball head Ø 10mm (10°)	92076 M6x1,0 plastic ball head Ø 10mm	
81 634 03	Opel	8	18	595	250	350	92077 M6x1,0 plastic ball head Ø 10mm (10°)	92077 M6x1,0 plastic ball head Ø 10mm (10°)	
81 634 04	Opel	8	18	510	200	550	92077 M6x1,0 plastic ball head Ø 10mm (10°)	92077 M6x1,0 plastic ball head Ø 10mm (10°)	
81 634 05	Opel	8	18	510	200	600	92077 M6x1,0 plastic ball head Ø 10mm (10°)	92077 M6x1,0 plastic ball head Ø 10mm (10°)	
81 634 06	Opel	8	18	566	210	430	92076 M6x1,0 plastic ball head Ø 10mm	92076 M6x1,0 plastic ball head Ø 10mm	
81 634 07	Opel	8	18	615	260	460	92021 M8x1,0 ball head Ø 13mm	92021 M8x1,0 ball head Ø 13mm	
81 634 08	Opel	8	18	615	260	550	92021 M8x1,0 ball head Ø 13mm	92021 M8x1,0 ball head Ø 13mm	



Lesjöfors	Application	Rod Ø	Cyl Ø	Extended length	Stroke	Force (N)	Piston Rod, end fitting Drawing reference (see page 70–72)	Cylinder, end fitting Drawing reference (see page 70–72)	Info
81 634 09	Opel	8	18	545	230	320	92076 M6x1,0 plastic ball head Ø 10mm	92076 M6x1,0 plastic ball head Ø 10mm	
81 634 10	Opel	8	18	545	230	360	92076 M6x1,0 plastic ball head Ø 10mm	92076 M6x1,0 plastic ball head Ø 10mm	
81 634 11	Opel	8	18	567	230	360	92076 M6x1,0 plastic ball head Ø 10mm	92076 M6x1,0 plastic ball head Ø 10mm	
81 634 12	Opel	8	18	535	230	470	92076 M6x1,0 plastic ball head Ø 10mm	92076 M6x1,0 plastic ball head Ø 10mm	
81 634 13	Opel	10	22	575	242	550	92021 M8x1,0 ball head Ø 13mm	92021 M8x1,0 ball head Ø 13mm	
81 634 14	Opel	8	18	735	327	330	92076 M6x1,0 plastic ball head Ø 10mm	92076 M6x1,0 plastic ball head Ø 10mm	
81 634 15	Opel	10	22	590	242	650	92021 M8x1,0 ball head Ø 13mm	92021 M8x1,0 ball head Ø 13mm	
81 634 16	Opel	10	22	590	242	700	92021 M8x1,0 ball head Ø 13mm	92021 M8x1,0 ball head Ø 13mm	
81 634 17	Opel	8	18	555	242	320	92077 M6x1,0 plastic ball head Ø 10mm (10')	92077 M6x1,0 plastic ball head Ø 10mm (10')	
81 634 18	Opel	8	18	550	230	355	92077 M6x1,0 plastic ball head Ø 10mm (10')	92077 M6x1,0 plastic ball head Ø 10mm (10')	
81 634 19	Opel	8	18	547	230	410	92077 M6x1,0 plastic ball head Ø 10mm (10')	92077 M6x1,0 plastic ball head Ø 10mm (10')	
81 634 20	Opel	10	22	705	284	540	92021 M8x1,0 ball head Ø 13mm	92021 M8x1,0 ball head Ø 13mm	
81 634 21	Opel	10	22	705	284	610	92021 M8x1,0 ball head Ø 13mm	92021 M8x1,0 ball head Ø 13mm	
81 634 22	Opel	8	18	698	260	290	92077 M6x1,0 plastic ball head Ø 10mm (10')	92077 M6x1,0 plastic ball head Ø 10mm (10')	
81 634 23	Opel	8	18	703	260	330	92076 M6x1,0 plastic ball head Ø 10mm	92076 M6x1,0 plastic ball head Ø 10mm	
81 634 24	Opel	8	18	515	210	480	92077 M6x1,0 plastic ball head Ø 10mm (10')	92077 M6x1,0 plastic ball head Ø 10mm (10')	
81 634 25	Opel	8	18	510	210	530	92077 M6x1,0 plastic ball head Ø 10mm (10')	92077 M6x1,0 plastic ball head Ø 10mm (10')	
81 634 26	Opel	8	18	436	180	370	92076 M6x1,0 plastic ball head Ø 10mm	92076 M6x1,0 plastic ball head Ø 10mm	
81 634 27	Opel	8	18	506	200	620	92077 M6x1,0 plastic ball head Ø 10mm (10')	92077 M6x1,0 plastic ball head Ø 10mm (10')	
81 634 28	Opel	8	18	580	246	340	92076 M6x1,0 plastic ball head Ø 10mm	92076 M6x1,0 plastic ball head Ø 10mm	
81 634 29	Opel	8	18	470	200	530	92076 M6x1,0 plastic ball head Ø 10mm	92076 M6x1,0 plastic ball head Ø 10mm	
81 634 30	Opel	8	18	476	200	560	92076 M6x1,0 plastic ball head Ø 10mm	92076 M6x1,0 plastic ball head Ø 10mm	
81 634 31	Opel	8	18	600	250	330	92076 M6x1,0 plastic ball head Ø 10mm	92076 M6x1,0 plastic ball head Ø 10mm	
81 634 32	Opel	8	18	468	190	560	92076 M6x1,0 plastic ball head Ø 10mm	92076 M6x1,0 plastic ball head Ø 10mm	
81 634 33	Opel	8	18	930	300	360	92012 M6x1,0 eye Ø 13,1mm	92077 M6x1,0 plastic ball head Ø 10mm (10')	
81 634 34	Opel	8	18	930	300	430	92012 M6x1,0 eye Ø 13,1mm	92077 M6x1,0 plastic ball head Ø 10mm (10')	
81 634 35	Opel	8	18	535	230	430	92076 M6x1,0 plastic ball head Ø 10mm	92076 M6x1,0 plastic ball head Ø 10mm	
81 634 36	Opel	8	18	565	230	500	92076 M6x1,0 plastic ball head Ø 10mm	92076 M6x1,0 plastic ball head Ø 10mm	
81 634 37	Opel	8	18	568	210	540	92078 M6x1,0 plastic ball head Ø 10mm	92076 M6x1,0 plastic ball head Ø 10mm	
81 634 38	Opel	10	22	725	230	820	92076 M6x1,0 plastic ball head Ø 10mm	92076 M6x1,0 plastic ball head Ø 10mm	
81 634 39	Opel	10	22	727	225	819	92076 M6x1,0 plastic ball head Ø 10mm	92076 M6x1,0 plastic ball head Ø 10mm	
81 634 40	Opel	8	18	828	327	355	92076 M6x1,0 plastic ball head Ø 10mm	92076 M6x1,0 plastic ball head Ø 10mm	
81 634 42	Opel	8	18	544	200	590	92077 M6x1,0 plastic ball head Ø 10mm (10')	92077 M6x1,0 plastic ball head Ø 10mm (10')	
81 634 43	Opel	8	18	470	200	350	92076 M6x1,0 plastic ball head Ø 10mm	92076 M6x1,0 plastic ball head Ø 10mm	
81 634 44	Opel	10	22	644	217	390	Special	Special	
81 634 45	Opel	10	22	644	217	390	Special	Special	
81 634 46	Opel	8	18	280	102	400	92078 M6x1,0 plastic ball head Ø 10mm	92078 M6x1,0 plastic ball head Ø 10mm	
81 634 47	Opel	8	18	397	158	350	92076 M6x1,0 plastic ball head Ø 10mm	92076 M6x1,0 plastic ball head Ø 10mm	
81 634 48	Opel	6	15	366	145	220	92076 M6x1,0 plastic ball head Ø 10mm	92076 M6x1,0 plastic ball head Ø 10mm	
81 634 50	Opel	8	18	262	89	520	92076 M6x1,0 plastic ball head Ø 10mm	92076 M6x1,0 plastic ball head Ø 10mm	
81 634 51	Opel	8	18	472	210	680	92076 M6x1,0 plastic ball head Ø 10mm	92076 M6x1,0 plastic ball head Ø 10mm	
81 634 52	Opel	10	22	905	315	720	92076 M6x1,0 plastic ball head Ø 10mm	92076 M6x1,0 plastic ball head Ø 10mm	
81 634 53	Opel	8	18	473	196	570	92076 M6x1,0 plastic ball head Ø 10mm	92076 M6x1,0 plastic ball head Ø 10mm	
81 634 54	Opel	8	18	425	172	450	92077 M6x1,0 plastic ball head Ø 10mm (10')	92076 M6x1,0 plastic ball head Ø 10mm	
81 634 55	Opel/Vauxhall	10	22	482	194	700	92076 M6x1,0 plastic ball head Ø 10mm	92076 M6x1,0 plastic ball head Ø 10mm	New 2009
81 634 56	Opel/Vauxhall	8	18	539	205	520	92076 M6x1,0 plastic ball head Ø 10mm	92076 M6x1,0 plastic ball head Ø 10mm	
81 634 57	Opel/Vauxhall	8	18	643	250	475	Special	Special	New 2009
81 634 58	Opel/Vauxhall	8	18	643	250	475	Special	Special	New 2009
81 634 59	Opel/Vauxhall	6	15	375	133	180	Plastic ball head	Plastic ball head	New 2009
81 634 60	Opel/Vauxhall	8	18	601	256	240	Plastic ball head	Plastic ball head	New 2009
81 634 61	Opel/Vauxhall	8	18	610	264	245	Plastic ball head	Plastic ball head	New 2009
81 634 62	Opel/Vauxhall	8	18	498	160	150	Plastic ball head	Plastic ball head	New 2009
81 634 63	Opel/Vauxhall	8	18	575	213	530	Plastic ball head	Plastic ball head	New 2009
81 634 64	Opel/Vauxhall	10	22	505	210	610	Plastic ball head	Plastic ball head	New 2009
81 634 65	Opel/Vauxhall	8	18	508	195	420	Plastic ball head	Special	New 2009
81 634 66	Opel/Vauxhall	8	18	508	195	420	Plastic ball head	Special	New 2009
81 634 67	Opel/Vauxhall	8	18	479	193	340	Plastic ball head	Plastic ball head	New 2009
81 667 00	Peugeot	8	18	640	246	360	92076 M6x1,0 plastic ball head Ø 10mm	92076 M6x1,0 plastic ball head Ø 10mm	
81 667 01	Peugeot	8	18	600	250	310	92076 M6x1,0 plastic ball head Ø 10mm	92076 M6x1,0 plastic ball head Ø 10mm	
81 667 02	Peugeot	8	18	600	250	290	92076 M6x1,0 plastic ball head Ø 10mm	92076 M6x1,0 plastic ball head Ø 10mm	
81 667 03	Peugeot	8	18	305	114	275	92010 Welded eye Ø 6,1mm	92010 Welded eye Ø 6,1mm	
81 667 04	Peugeot	10	22	265	92	820	92076 M6x1,0 plastic ball head Ø 10mm	92076 M6x1,0 plastic ball head Ø 10mm	
81 667 05	Peugeot	8	18	635	250	360	92076 M6x1,0 plastic ball head Ø 10mm	92076 M6x1,0 plastic ball head Ø 10mm	
81 667 06	Peugeot	8	18	600	250	300	92077 M6x1,0 plastic ball head Ø 10mm (10')	92077 M6x1,0 plastic ball head Ø 10mm (10')	
81 667 07	Peugeot	8	18	552	226	400	92076 M6x1,0 plastic ball head Ø 10mm	92076 M6x1,0 plastic ball head Ø 10mm	
81 667 08	Peugeot	8	18	545	230	480	92076 M6x1,0 plastic ball head Ø 10mm	92076 M6x1,0 plastic ball head Ø 10mm	
81 667 09	Peugeot	8	18	566	242	440	92076 M6x1,0 plastic ball head Ø 10mm	92076 M6x1,0 plastic ball head Ø 10mm	
81 667 10	Peugeot	8	18	566	242	483	92076 M6x1,0 plastic ball head Ø 10mm	92076 M6x1,0 plastic ball head Ø 10mm	
81 667 11	Peugeot	8	18	421	149	650	92076 M6x1,0 plastic ball head Ø 10mm	92076 M6x1,0 plastic ball head Ø 10mm	
81 667 12	Peugeot	10	27,4	600	249	450	92011 Welded eye Ø 8mm	92011 Welded eye Ø 8mm	
81 667 14	Peugeot	8	18	420	169	363	92011 Welded eye Ø 8mm	92076 M6x1,0 plastic ball head Ø 10mm	

Lesjöfors	Application	Rod Ø	Cyl Ø	Extended length	Stroke	Force (N)	Piston Rod, end fitting Drawing reference (see page 70-72)		Cylinder, end fitting Drawing reference (see page 70-72)		Info
81 667 15	Peugeot	8	18	640	350	470	92076	M6x1,0 plastic ball head Ø 10mm	92076	M6x1,0 plastic ball head Ø 10mm	
81 667 16	Peugeot	8	18	319	124	520	92011	Welded eye Ø 8mm	92011	Welded eye Ø 8mm	
81 667 17	Peugeot	8	18	490	200	233	92076	M6x1,0 plastic ball head Ø 10mm	92076	M6x1,0 plastic ball head Ø 10mm	
81 667 19	Peugeot	8	18	557	210	550	92022	M8x1,0 ball head Ø 10mm	92022	M8x1,0 ball head Ø 10mm	
81 667 20	Peugeot	6	15	406	162	310	92022	M8x1,0 ball head Ø 10mm	92022	M8x1,0 ball head Ø 10mm	
81 667 21	Peugeot	8	18	586	230	340	92076	M6x1,0 plastic ball head Ø 10mm	92076	M6x1,0 plastic ball head Ø 10mm	
81 667 22	Peugeot	8	18	520	220	304	92078	M6x1,0 plastic ball head Ø 10mm	92078	M6x1,0 plastic ball head Ø 10mm	
81 667 23	Peugeot	8	18	625	268	515	92078	M6x1,0 plastic ball head Ø 10mm	92078	M6x1,0 plastic ball head Ø 10mm	
81 667 24	Peugeot	8	18	628	242	629	92076	M6x1,0 plastic ball head Ø 10mm	92076	M6x1,0 plastic ball head Ø 10mm	
81 667 25	Peugeot	8	18	612	210	594	92076	M6x1,0 plastic ball head Ø 10mm	92076	M6x1,0 plastic ball head Ø 10mm	
81 667 26	Peugeot	8	18	632	210	594	92076	M6x1,0 plastic ball head Ø 10mm	92076	M6x1,0 plastic ball head Ø 10mm	
81 667 27	Peugeot	8	18	700	250	664	92076	M6x1,0 plastic ball head Ø 10mm	92076	M6x1,0 plastic ball head Ø 10mm	
81 667 28	Peugeot	8	18	290	110	290	92078	M6x1,0 plastic ball head Ø 10mm	92076	M6x1,0 plastic ball head Ø 10mm	
81 667 29	Peugeot	8	18	579	219	535	92078	M6x1,0 plastic ball head Ø 10mm	92078	M6x1,0 plastic ball head Ø 10mm	
81 667 30	Peugeot	8	18	454	181	395	92078	M6x1,0 plastic ball head Ø 10mm	92078	M6x1,0 plastic ball head Ø 10mm	
81 667 31	Peugeot	8	18	492	190	600	92076	M6x1,0 plastic ball head Ø 10mm	92076	M6x1,0 plastic ball head Ø 10mm	
81 667 32	Peugeot	8	18	498	180	345	92078	M6x1,0 plastic ball head Ø 10mm	92078	M6x1,0 plastic ball head Ø 10mm	
81 667 33	Peugeot	8	18	445	180	250		Plastic ball head		Plastic ball head	New 2009
81 667 34	Peugeot	10	22	700	175	1050		Plastic ball head		Plastic ball head	New 2009
81 667 35	Peugeot	8	18	493	198	420		Plastic ball head		Special	New 2009
81 667 36	Peugeot	8	19	472	178	540		Plastic ball head		Special	New 2009
81 667 37	Peugeot	8	18	554	228	305		Plastic ball head		Plastic ball head	New 2009
81 667 38	Peugeot	8	18	449	185	590		Plastic ball head		Plastic ball head	New 2009
81 667 39	Peugeot	8	18	565	220	315		Plastic ball head		Plastic ball head	New 2009
81 667 40	Peugeot	8	18	375	145	615		Plastic ball head		Plastic ball head	New 2009
81 667 41	Peugeot	8	18	320	140	470		Plastic ball head		Plastic ball head	New 2009
81 667 42	Peugeot	8	18	310	110	430		Plastic ball head		Plastic ball head	New 2009
81 667 43	Peugeot	8	18	321	130	450		Plastic ball head		Plastic ball head	New 2009
81 667 44	Peugeot	8	18	503	210	335		Plastic ball head		Plastic ball head	New 2009
81 667 46	Peugeot	8	18	631	270	455		Plastic ball head		Plastic ball head	New 2009
81 667 47	Peugeot	8	20	510	223	490	92078	M6x1,0 plastic ball head Ø 10mm	92078	M6x1,0 plastic ball head Ø 10mm	New 2009
81 667 48	Peugeot	8	18	457	185	410		Plastic ball head		Plastic ball head	New 2009
81 667 49	Peugeot	10	22	530	190	620		Plastic ball head		Plastic ball head	New 2009
81 667 50	Peugeot	8	18	626	238	520	92076	M6x1,0 plastic ball head Ø 10mm	92076	M6x1,0 plastic ball head Ø 10mm	New 2009
81 697 00	Porsche	8	18	256	90	370	92014	M6x1,0 eye Ø 6,2mm	92071	Welded eye Ø 6mm	
81 697 01	Porsche	8	18	256	90	600	92014	M6x1,0 eye Ø 6,2mm	92071	Welded eye Ø 6mm	
81 697 03	Porsche	8	18	655	291	270	92076	M6x1,0 plastic ball head Ø 10mm	92076	M6x1,0 plastic ball head Ø 10mm	
81 697 04	Porsche	8	18	435	180	420	92076	M6x1,0 plastic ball head Ø 10mm	92076	M6x1,0 plastic ball head Ø 10mm	
81 729 00	Renault	8	18	700	295	250	92076	M6x1,0 plastic ball head Ø 10mm	92076	M6x1,0 plastic ball head Ø 10mm	
81 729 01	Renault	10	22	440	163	720	92076	M6x1,0 plastic ball head Ø 10mm	92076	M6x1,0 plastic ball head Ø 10mm	
81 729 02	Renault	8	18	620	271	300	92076	M6x1,0 plastic ball head Ø 10mm	92076	M6x1,0 plastic ball head Ø 10mm	
81 729 03	Renault	8	18	605	260	290	92076	M6x1,0 plastic ball head Ø 10mm	92076	M6x1,0 plastic ball head Ø 10mm	
81 729 04	Renault	8	18	310	100	420	92076	M6x1,0 plastic ball head Ø 10mm	92076	M6x1,0 plastic ball head Ø 10mm	
81 729 05	Renault	8	18	500	200	400	92076	M6x1,0 plastic ball head Ø 10mm	92076	M6x1,0 plastic ball head Ø 10mm	
81 729 06	Renault	8	18	480	200	390	92076	M6x1,0 plastic ball head Ø 10mm	92076	M6x1,0 plastic ball head Ø 10mm	
81 729 07	Renault	8	18	600	280	480	92077	M6x1,0 plastic ball head Ø 10mm (10')	92077	M6x1,0 plastic ball head Ø 10mm (10')	
81 729 08	Renault	10	22	454	165	740	92076	M6x1,0 plastic ball head Ø 10mm	92076	M6x1,0 plastic ball head Ø 10mm	
81 729 10	Renault	8	18	595	250	500	92076	M6x1,0 plastic ball head Ø 10mm	92076	M6x1,0 plastic ball head Ø 10mm	
81 729 11	Renault	8	18	310	100	580	92076	M6x1,0 plastic ball head Ø 10mm	92076	M6x1,0 plastic ball head Ø 10mm	
81 729 12	Renault	8	18	500	200	510	92076	M6x1,0 plastic ball head Ø 10mm	92076	M6x1,0 plastic ball head Ø 10mm	
81 729 13	Renault	8	18	490	200	630	92076	M6x1,0 plastic ball head Ø 10mm	92076	M6x1,0 plastic ball head Ø 10mm	
81 729 14	Renault	8	18	476	171	625	92076	M6x1,0 plastic ball head Ø 10mm	92076	M6x1,0 plastic ball head Ø 10mm	
81 729 15	Renault	8	18	442	171	480	92076	M6x1,0 plastic ball head Ø 10mm	92076	M6x1,0 plastic ball head Ø 10mm	
81 729 16	Renault	8	18	180	61	480	92076	M6x1,0 plastic ball head Ø 10mm	92010	Welded eye Ø 6,1mm	
81 729 17	Renault	8	18	411	171	334	92078	M6x1,0 plastic ball head Ø 10mm	92078	M6x1,0 plastic ball head Ø 10mm	
81 729 18	Renault	8	18	525	210	554	92076	M6x1,0 plastic ball head Ø 10mm	92076	M6x1,0 plastic ball head Ø 10mm	
81 729 19	Renault	8	18	542	230	524	92076	M6x1,0 plastic ball head Ø 10mm	92076	M6x1,0 plastic ball head Ø 10mm	
81 729 20	Renault	8	18	562	210	800	92076	M6x1,0 plastic ball head Ø 10mm	92076	M6x1,0 plastic ball head Ø 10mm	
81 729 21	Renault	8	18	467	200	425	92078	M6x1,0 plastic ball head Ø 10mm	92078	M6x1,0 plastic ball head Ø 10mm	
81 729 22	Renault	8	18	598	220	554	92076	M6x1,0 plastic ball head Ø 10mm	92076	M6x1,0 plastic ball head Ø 10mm	
81 729 23	Renault	8	18	502	211	490	92076	M6x1,0 plastic ball head Ø 10mm	92076	M6x1,0 plastic ball head Ø 10mm	
81 729 24	Renault	8	18	312	125	600	92076	M6x1,0 plastic ball head Ø 10mm	92076	M6x1,0 plastic ball head Ø 10mm	
81 729 25	Renault	10	18	688	295	630	92078	M6x1,0 plastic ball head Ø 10mm	92078	M6x1,0 plastic ball head Ø 10mm	
81 729 26	Renault	8	18	513	216	535	92078	M6x1,0 plastic ball head Ø 10mm	92078	M6x1,0 plastic ball head Ø 10mm	
81 729 27	Renault	8	18	535	230	455	92078	M6x1,0 plastic ball head Ø 10mm	92078	M6x1,0 plastic ball head Ø 10mm	
81 729 28	Renault	8	18	513	218	585	92078	M6x1,0 plastic ball head Ø 10mm	92078	M6x1,0 plastic ball head Ø 10mm	
81 729 29	Renault	8	18	418	163	445	92076	M6x1,0 plastic ball head Ø 10mm	92076	M6x1,0 plastic ball head Ø 10mm	
81 729 30	Renault	10	22	724	203	740	92076	M6x1,0 plastic ball head Ø 10mm	92076	M6x1,0 plastic ball head Ø 10mm	
81 729 31	Renault	10	22	724	203	830	92076	M6x1,0 plastic ball head Ø 10mm	92076	M6x1,0 plastic ball head Ø 10mm	
81 729 32	Renault	6	15	546	192	180		Special		Special	
81 729 33	Renault	8	18	519	183	590	92076	M6x1,0 plastic ball head Ø 10mm	92076	M6x1,0 plastic ball head Ø 10mm	

Lesjöfors	Application	Rod Ø	Cyl Ø	Extended length	Stroke	Force (N)	Piston Rod, end fitting Drawing reference (see page 70–72)	Cylinder, end fitting Drawing reference (see page 70–72)	Info
81 729 34	Renault	10	22	517	183	630	92076 M6x1,0 plastic ball head Ø 10mm	92076 M6x1,0 plastic ball head Ø 10mm	
81 729 35	Renault	6	15	363	147	135	92078 M6x1,0 plastic ball head Ø 10mm	92078 M6x1,0 plastic ball head Ø 10mm	
81 729 36	Renault	8	18	450	180	385	Plastic ball head	Plastic ball head	New 2009
81 729 37	Renault	8	18	300	113	410	Plastic ball head	Plastic ball head	New 2009
81 729 38	Renault	8	18	445	192	450	Plastic ball head	Plastic ball head	New 2009
81 729 39	Renault	10	22	546	225	480	Plastic ball head	Plastic ball head	New 2009
81 729 40	Renault	10	22	546	225	540	Plastic ball head	Plastic ball head	New 2009
81 729 41	Renault	8	18	520	218	105	Plastic ball head	Plastic ball head	New 2009
81 729 42	Renault	8	18	345	132	350	Plastic ball head	Plastic ball head	New 2009
81 729 43	Renault	8	18	534	170	515	Plastic ball head	Plastic ball head	New 2009
81 729 44	Renault	10	27,4	533	220	730	Plastic ball head	Plastic ball head	New 2009
81 757 00	Rover	10	22	501	200	530	92013 M6x1,0 eye Ø 10,1mm	92013 M6x1,0 eye Ø 10,1mm	
81 757 01	Rover	8	18	540	230	360	92076 M6x1,0 plastic ball head Ø 10mm	92076 M6x1,0 plastic ball head Ø 10mm	
81 757 02	Rover	8	18	684	295	360	92076 M6x1,0 plastic ball head Ø 10mm	92076 M6x1,0 plastic ball head Ø 10mm	
81 757 03	Rover	8	18	684	295	390	92076 M6x1,0 plastic ball head Ø 10mm	92076 M6x1,0 plastic ball head Ø 10mm	
81 757 04	Rover	8	18	570	230	530	92076 M6x1,0 plastic ball head Ø 10mm	92076 M6x1,0 plastic ball head Ø 10mm	
81 757 05	Rover	8	18	600	250	520	92076 M6x1,0 plastic ball head Ø 10mm	92018 M6x1,0 ball head Ø 10mm	
81 757 06	Rover	8	18	605	250	520	92076 M6x1,0 plastic ball head Ø 10mm	92018 M6x1,0 ball head Ø 10mm	
81 757 07	Rover	8	18	550	230	410	92077 M6x1,0 plastic ball head Ø 10mm (10')	92077 M6x1,0 plastic ball head Ø 10mm (10')	
81 757 08	Rover	8	18	507	210	436	92076 M6x1,0 plastic ball head Ø 10mm	92076 M6x1,0 plastic ball head Ø 10mm	
81 757 09	Rover	8	18	553	204	470	93040 Special	92076 M6x1,0 plastic ball head Ø 10mm	
81 757 10	Rover	8	18	495	210	225	92076 M6x1,0 plastic ball head Ø 10mm	92076 M6x1,0 plastic ball head Ø 10mm	
81 757 11	Rover	8	18	522	200	440	92076 M6x1,0 plastic ball head Ø 10mm	92077 M6x1,0 plastic ball head Ø 10mm (10')	
81 757 12	Rover	8	18	600	239	360	92076 M6x1,0 plastic ball head Ø 10mm	92076 M6x1,0 plastic ball head Ø 10mm	
81 757 13	Rover	6	15	275	100	320	92078 M6x1,0 plastic ball head Ø 10mm	92078 M6x1,0 plastic ball head Ø 10mm	
81 757 14	Rover	8	18	568	233	330	92076 M6x1,0 plastic ball head Ø 10mm	92076 M6x1,0 plastic ball head Ø 10mm	
81 757 15	Rover	8	18	515	207	445	92078 M6x1,0 plastic ball head Ø 10mm	92078 M6x1,0 plastic ball head Ø 10mm	
81 757 16	Rover	8	18	405	164	300	92076 M6x1,0 plastic ball head Ø 10mm	92076 M6x1,0 plastic ball head Ø 10mm	
81 757 17	Land Rover	8	18	480	185	480	Plastic ball head	Plastic ball head	New 2009
81 757 18	Land Rover	8	18	515	281	580	Plastic ball head	Plastic ball head	New 2009
81 757 19	Rover	8	18	317	120	370	Plastic ball head	Plastic ball head	New 2009
81 757 20	Rover	8	18	565	225	560	Plastic ball head	Plastic ball head	New 2009
81 778 00	Saab	10	22	500	201	600	92011 Welded eye Ø 8mm	92011 Welded eye Ø 8mm	
81 778 01	Saab	10	22	500	201	650	92011 Welded eye Ø 8mm	92011 Welded eye Ø 8mm	
81 778 02	Saab	8	18	566	242	480	92076 M6x1,0 plastic ball head Ø 10mm	92077 M6x1,0 plastic ball head Ø 10mm (10')	
81 778 03	Saab	8	18	570	242	520	92076 M6x1,0 plastic ball head Ø 10mm	92077 M6x1,0 plastic ball head Ø 10mm (10')	
81 778 04	Saab	8	18	670	299	345	92011 Welded eye Ø 8mm	92011 Welded eye Ø 8mm	
81 778 05	Saab	8	18	700	299	345	92011 Welded eye Ø 8mm	92011 Welded eye Ø 8mm	
81 778 06	Saab	8	18	700	299	400	92011 Welded eye Ø 8mm	92011 Welded eye Ø 8mm	
81 778 07	Saab	8	18	228	75	100	92076 M6x1,0 plastic ball head Ø 10mm	92076 M6x1,0 plastic ball head Ø 10mm	
81 778 08	Saab	10	22	490	200	610	92076 M6x1,0 plastic ball head Ø 10mm	92076 M6x1,0 plastic ball head Ø 10mm	
81 778 09	Saab	10	22	490	200	660	92076 M6x1,0 plastic ball head Ø 10mm	92076 M6x1,0 plastic ball head Ø 10mm	
81 778 10	Saab	8	18	670	299	320	92011 Welded eye Ø 8mm	92011 Welded eye Ø 8mm	
81 778 11	Saab	8	18	570	242	470	92076 M6x1,0 plastic ball head Ø 10mm	92077 M6x1,0 plastic ball head Ø 10mm (10')	
81 778 12	Saab	8	18	568	242	500	92076 M6x1,0 plastic ball head Ø 10mm	92077 M6x1,0 plastic ball head Ø 10mm (10')	
81 778 13	Saab	8	18	280	94	550	92076 M6x1,0 plastic ball head Ø 10mm	92078 M6x1,0 plastic ball head Ø 10mm	
81 778 14	Saab	10	27,4	398	116	1550	92020 M8x1,0 ball head Ø 13mm	92020 M8x1,0 ball head Ø 13mm	
81 778 18	Saab	8	18	319	117	38	92078 M6x1,0 plastic ball head Ø 10mm	92078 M6x1,0 plastic ball head Ø 10mm	
81 778 19	Saab	8	18	281	98	680	Plastic ball head	Ball head	New 2009
81 778 20	Saab	10	22	281	100	650	Plastic ball head	Ball head	New 2009
81 778 21	Saab	10	22	281	100	680	Plastic ball head	Ball head	New 2009
81 778 22	Saab	10	27,4	399	100	1260	Plastic ball head	Plastic ball head	New 2009
81 829 00	Seat	8	18	285	100	315	92076 M6x1,0 plastic ball head Ø 10mm	92076 M6x1,0 plastic ball head Ø 10mm	
81 829 01	Seat	8	18	523	220	320	92076 M6x1,0 plastic ball head Ø 10mm	92076 M6x1,0 plastic ball head Ø 10mm	
81 829 02	Seat	8	18	505	200	500	92076 M6x1,0 plastic ball head Ø 10mm	92076 M6x1,0 plastic ball head Ø 10mm	
81 829 03	Seat	8	18	690	299	220	92011 Welded eye Ø 8mm	92011 Welded eye Ø 8mm	
81 829 04	Seat	10	27,4	590	212	790	92077 M6x1,0 plastic ball head Ø 10mm (10')	92077 M6x1,0 plastic ball head Ø 10mm (10')	
81 829 05	Seat	8	18	504	210	350	92078 M6x1,0 plastic ball head Ø 10mm	92077 M6x1,0 plastic ball head Ø 10mm (10')	
81 829 06	Seat	8	18	500	210	480	92078 M6x1,0 plastic ball head Ø 10mm	92078 M6x1,0 plastic ball head Ø 10mm	
81 829 07	Seat	8	18	286	103	365	92076 M6x1,0 plastic ball head Ø 10mm	92076 M6x1,0 plastic ball head Ø 10mm	
81 829 08	Seat	8	18	500	210	450	92078 M6x1,0 plastic ball head Ø 10mm	92077 M6x1,0 plastic ball head Ø 10mm (10')	
81 829 09	Seat	8	18	252	95	440	92011 Welded eye Ø 8mm	92011 Welded eye Ø 8mm	
81 829 10	Seat	8	18	550	245	250	92011 Welded eye Ø 8mm	92011 Welded eye Ø 8mm	
81 829 11	Seat	8	18	280	99	530	92076 M6x1,0 plastic ball head Ø 10mm	92076 M6x1,0 plastic ball head Ø 10mm	
81 829 12	Seat	8	18	286	106	600	92078 M6x1,0 plastic ball head Ø 10mm	92076 M6x1,0 plastic ball head Ø 10mm	
81 829 13	Seat	8	18	500	212	470	92078 M6x1,0 plastic ball head Ø 10mm	92076 M6x1,0 plastic ball head Ø 10mm	
81 829 14	Seat	8	18	500	210	420	Plastic ball head	Plastic ball head	New 2009
81 829 15	Seat	8	18	419	170	510	Plastic ball head	Plastic ball head	New 2009
81 829 16	Seat	8	18	500	210	340	Plastic ball head	Plastic ball head	New 2009
81 829 17	Seat	10	22	869	375	240	Plastic ball head	Plastic ball head	New 2009
81 857 00	Skoda	8	18	525	220	450	92077 M6x1,0 plastic ball head Ø 10mm (10')	92077 M6x1,0 plastic ball head Ø 10mm (10')	

Lesjöfors	Application	Rod Ø	Cyl Ø	Extended length	Stroke	Force (N)	Piston Rod, end fitting Drawing reference (see page 70–72)		Cylinder, end fitting Drawing reference (see page 70–72)		Info
81 857 01	Skoda	8	18	700	295	325	92076	M6x1,0 plastic ball head Ø 10mm	92076	M6x1,0 plastic ball head Ø 10mm	
81 857 02	Skoda	8	18	527	220	450	92022	M8x1,0 ball head Ø 10mm	92077	M6x1,0 plastic ball head Ø 10mm (10')	
81 857 03	Skoda	8	18	493	200	500	92077	M6x1,0 plastic ball head Ø 10mm (10')	92076	M6x1,0 plastic ball head Ø 10mm	
81 857 04	Skoda	8	18	403	164	580	92076	M6x1,0 plastic ball head Ø 10mm	92076	M6x1,0 plastic ball head Ø 10mm	
81 857 05	Skoda	8	18	440	177	600	92076	M6x1,0 plastic ball head Ø 10mm	92076	M6x1,0 plastic ball head Ø 10mm	
81 857 06	Skoda	8	18	492	196	440		Plastic ball head		Plastic ball head	New 2009
81 857 07	Skoda	8	18	585	250	430	92076	M6x1,0 plastic ball head Ø 10mm	92076	M6x1,0 plastic ball head Ø 10mm	New 2009
81 857 08	Skoda	8	18	584	248	460		Plastic ball head		Plastic ball head	New 2009
81 857 09	Skoda	8	18	492	205	480		Plastic ball head		Plastic ball head	New 2009
81 857 10	Skoda	8	18	280	99	530	92076	M6x1,0 plastic ball head Ø 10mm	92076	M6x1,0 plastic ball head Ø 10mm	New 2009
81 860 00	Smart	6	15	305	120	130	92078	M6x1,0 plastic ball head Ø 10mm	92078	M6x1,0 plastic ball head Ø 10mm	
81 860 01	Smart	8	18	435	175	160		Plastic ball head		Plastic ball head	New 2009
81 860 02	Smart	8	18	532	190	360		Plastic ball head		Plastic ball head	New 2009
81 860 03	Smart	8	18	444	185	95		Plastic ball head		Plastic ball head	New 2009
81 883 00	Subaru	10	22	636	260	370		Ball head		Special	New 2009
81 883 01	Subaru	10	22	636	260	370		Ball head		Special	New 2009
81 883 02	Subaru	10	22	555	220	420		Ball head		Special	New 2009
81 883 03	Subaru	10	22	555	220	420		Ball head		Special	New 2009
81 883 04	Subaru	8	18	615	260	300	92076	M6x1,0 plastic ball head Ø 10mm	92076	M6x1,0 plastic ball head Ø 10mm	New 2009
81 883 04	Subaru	8	18	618	257	298		Ball head		Ball head	New 2009
81 883 05	Subaru	8	18	568	233	330	92076	M6x1,0 plastic ball head Ø 10mm	92076	M6x1,0 plastic ball head Ø 10mm	New 2009
81 883 05	Subaru	8	18	565	225	334		Ball head		Ball head	New 2009
81 889 00	Suzuki	8	18	580	241	209		Special		Special	New 2009
81 889 01	Suzuki	8	18	580	241	209		Special		Special	
81 889 02	Suzuki	10	22	497	196	385		Special		Special	
81 889 03	Suzuki	10	22	497	196	385		Special		Special	
81 889 04	Suzuki	8	18	615	215	349		Special		Special	
81 889 05	Suzuki	8	18	615	215	349		Special		Special	
81 889 06	Suzuki	8	18	613	261	152		Special		Special	
81 889 07	Suzuki	8	18	613	261	152		Special		Special	
81 889 08	Suzuki	10	22	693	293	337		Special		Special	
81 889 09	Suzuki	10	22	693	293	337		Special		Special	
81 889 10	Suzuki	8	18	547	235	280		Special		Special	New 2009
81 889 11	Suzuki	8	18	547	235	280		Special		Special	New 2009
81 889 12	Suzuki	8	18	570	205	382		Special		Special	New 2009
81 889 13	Suzuki	8	18	570	205	406		Special		Special	New 2009
81 889 14	Suzuki	8	18	438	168	410		Plastic ball head		Special	New 2009
81 889 15	Suzuki	8	18	438	168	410		Plastic ball head		Special	New 2009
81 889 16	Suzuki	8	18	643	250	475		Special		Special	New 2009
81 889 17	Suzuki	8	18	643	250	475		Special		Special	New 2009
81 895 02	Talbot	8	18	485	200	600	92027	Threaded pin	92015	M8x1,0 eye Ø 8,2mm	
81 925 00	Toyota	10	22	570	225	450	93043	Special	93004	Special	
81 925 01	Toyota	10	22	570	225	450	93044	Special	93005	Special	
81 925 02	Toyota	10	22	670	282	300	93037	M8x1,0 ball head Ø 10mm incl. Ball bolt	93037	M8x1,0 ball head Ø 10mm incl. Ball bolt	
81 925 03	Toyota	10	22	770	305	270	93037	M8x1,0 ball head Ø 10mm incl. Ball bolt	93037	M8x1,0 ball head Ø 10mm incl. Ball bolt	
81 925 04	Toyota	10	22	770	305	370	93037	M8x1,0 ball head Ø 10mm incl. Ball bolt	93037	M8x1,0 ball head Ø 10mm incl. Ball bolt	
81 925 05	Toyota	10	22	620	225	380	93037	M8x1,0 ball head Ø 10mm incl. Ball bolt	93037	M8x1,0 ball head Ø 10mm incl. Ball bolt	
81 925 06	Toyota	10	22	620	225	370	93037	M8x1,0 ball head Ø 10mm incl. Ball bolt	93037	M8x1,0 ball head Ø 10mm incl. Ball bolt	
81 925 07	Toyota	10	22	620	225	350	93037	M8x1,0 ball head Ø 10mm incl. Ball bolt	93037	M8x1,0 ball head Ø 10mm incl. Ball bolt	
81 925 08	Toyota	10	22	635	282	330	93037	M8x1,0 ball head Ø 10mm incl. Ball bolt	93037	M8x1,0 ball head Ø 10mm incl. Ball bolt	
81 925 09	Toyota	8	18	575	200	270	93037	M8x1,0 ball head Ø 10mm incl. Ball bolt	93037	M8x1,0 ball head Ø 10mm incl. Ball bolt	
81 925 10	Toyota	8	18	585	230	250	93024	Special	93026	Special	
81 925 11	Toyota	8	18	585	230	250	93025	Special	93027	Special	
81 925 12	Toyota	10	22	660	282	350	93037	M8x1,0 ball head Ø 10mm incl. Ball bolt	93008	Special	
81 925 13	Toyota	10	22	660	282	350	93037	M8x1,0 ball head Ø 10mm incl. Ball bolt	93009	Special	
81 925 14	Toyota	10	22	552	200	400	93037	M8x1,0 ball head Ø 10mm incl. Ball bolt	93000	Special	
81 925 15	Toyota	10	22	552	200	400	93037	M8x1,0 ball head Ø 10mm incl. Ball bolt	93001	Special	
81 925 16	Toyota	10	27,4	700	202	850	92009	Special eye Ø 7mm	92009	Special eye Ø 7mm	
81 925 18	Toyota	10	27,4	745	240	800	92009	Special eye Ø 7mm	92009	Special eye Ø 7mm	
81 925 20	Toyota	10	22	823	282	530	93037	M8x1,0 ball head Ø 10mm incl. Ball bolt	93006	Special	
81 925 22	Toyota	10	22	622	202	700	93028	Special	93030	Special	
81 925 23	Toyota	10	22	622	202	700	93029	Special	93031	Special	
81 925 24	Toyota	8	18	602	230	220	93037	M8x1,0 ball head Ø 10mm incl. Ball bolt	93002	Special	
81 925 25	Toyota	8	18	602	230	220	93037	M8x1,0 ball head Ø 10mm incl. Ball bolt	93003	Special	
81 925 26	Toyota	8	18	634	250	200	93037	M8x1,0 ball head Ø 10mm incl. Ball bolt	93000	Special	
81 925 27	Toyota	8	18	634	250	200	93037	M8x1,0 ball head Ø 10mm incl. Ball bolt	93001	Special	
81 925 28	Toyota	8	18	610	250	380	92022	M8x1,0 ball head Ø 10mm	92022	M8x1,0 ball head Ø 10mm	
81 925 29	Toyota	8	18	610	250	380	92022	M8x1,0 ball head Ø 10mm	92022	M8x1,0 ball head Ø 10mm	
81 925 30	Toyota	8	18	537	200	600	93033	Special	92022	M8x1,0 ball head Ø 10mm	
81 925 31	Toyota	8	18	537	200	600	93034	Special	92022	M8x1,0 ball head Ø 10mm	
81 925 32	Toyota	8	18	498	230	540		Special		Special	

Lesjöfors	Application	Rod Ø	Cyl Ø	Extended length	Stroke	Force (N)	Piston Rod, end fitting Drawing reference (see page 70–72)	Cylinder, end fitting Drawing reference (see page 70–72)	Info
81 925 33	Toyota	8	18	498	230	540	Special	Special	
81 925 34	Toyota	8	18	454	190	600	92078 M6x1,0 plastic ball head Ø 10mm	92078 M6x1,0 plastic ball head Ø 10mm	
81 925 35	Toyota	12,5	22	618	212	390	Special	Special	
81 925 36	Toyota	12,5	22	618	212	390	Special	Special	
81 925 37	Toyota	10	22	628	233	400	Special	Special	
81 925 38	Toyota	10	22	628	233	400	Special	Special	
81 925 39	Toyota	10	22	435	160	495	Special	Special	
81 925 40	Toyota	10	22	435	160	495	Special	Special	
81 925 41	Toyota	8	18	432	163	585	92078 M6x1,0 plastic ball head Ø 10mm	92078 M6x1,0 plastic ball head Ø 10mm	
81 925 42	Toyota	8	18	720	310	280	Special	93035 M6x1,0 ball head Ø 10mm incl. Ball bolt	
81 925 43	Toyota	12,5	22	573	176	510	92019 M6x1,0 ball head Ø 10mm	Special	
81 925 44	Toyota	12,5	22	573	176	516	92019 M6x1,0 ball head Ø 10mm	Special	
81 925 45	Toyota	8	18	720	310	280	Special	93035 M6x1,0 ball head Ø 10mm incl. Ball bolt	
81 925 46	Toyota	8	18	465	173	440	92019 M6x1,0 ball head Ø 10mm	92077 M6x1,0 plastic ball head Ø 10mm (10°)	
81 925 47	Toyota	12,5	22	495	186	498	Special	92019 M6x1,0 ball head Ø 10mm	
81 925 48	Toyota	12,5	22	495	186	498	Special	92019 M6x1,0 ball head Ø 10mm	
81 925 49	Toyota	8	18	495	210	570	92078 M6x1,0 plastic ball head Ø 10mm	92078 M6x1,0 plastic ball head Ø 10mm	
81 925 50	Toyota	8	18	507	182	545	92078 M6x1,0 plastic ball head Ø 10mm	92078 M6x1,0 plastic ball head Ø 10mm	
81 925 51	Toyota	10	22	635	217	460	Special	Special	
81 925 52	Toyota	10	22	635	217	460	Special	Special	
81 925 53	Toyota	8	18	590	245	246	Special	Special	
81 925 54	Toyota	8	18	590	245	246	Special	Special	
81 925 55	Toyota	8	18	500	203	245	92078 M6x1,0 plastic ball head Ø 10mm	92076 M6x1,0 plastic ball head Ø 10mm	
81 925 56	Toyota	8	18	500	203	245	92078 M6x1,0 plastic ball head Ø 10mm	92076 M6x1,0 plastic ball head Ø 10mm	
81 925 57	Toyota	8	18	486	199	565	Special	92078 M6x1,0 plastic ball head Ø 10mm	
81 925 58	Toyota	8	18	447	183	550	Special	92078 M6x1,0 plastic ball head Ø 10mm	
81 925 59	Toyota	12,5	22	474	186	400	Special	Ball head	New 2009
81 925 60	Toyota	12,5	22	474	186	400	Plastic ball head	Plastic ball head	New 2009
81 925 61	Toyota	8	18	516	205	295	Plastic ball head	Plastic ball head	New 2009
81 925 62	Toyota	12,5	22	420	160	460	Ball head	Special	New 2009
81 925 63	Toyota	12,5	22	420	160	460	Ball head	Special	New 2009
81 925 64	Toyota	12,5	22	420	160	500	Ball head	Special	New 2009
81 925 65	Toyota	12,5	22	420	160	500	Ball head	Special	New 2009
81 925 66	Toyota	8	18	532	173	545	Plastic ball head	Plastic ball head	New 2009
81 925 67	Toyota	12,5	22	580	160	675	Special	Special	New 2009
81 925 68	Toyota	12,5	22	580	160	675	Special	Special	New 2009
81 925 69	Toyota	8	18	443	171	455	Plastic ball head	Plastic ball head	New 2009
81 946 00	Vauxhall	8	18	735	327	330	92076 M6x1,0 plastic ball head Ø 10mm	92076 M6x1,0 plastic ball head Ø 10mm	
81 946 01	Vauxhall	10	22	590	242	700	92021 M8x1,0 ball head Ø 13mm	92021 M8x1,0 ball head Ø 13mm	
81 946 02	Vauxhall	8	18	550	230	355	92077 M6x1,0 plastic ball head Ø 10mm (10°)	92077 M6x1,0 plastic ball head Ø 10mm (10°)	
81 946 03	Vauxhall	8	18	547	230	410	92077 M6x1,0 plastic ball head Ø 10mm (10°)	92077 M6x1,0 plastic ball head Ø 10mm (10°)	
81 946 04	Vauxhall	10	22	705	284	610	92021 M8x1,0 ball head Ø 13mm	92021 M8x1,0 ball head Ø 13mm	
81 946 05	Vauxhall	8	18	703	260	330	92077 M6x1,0 plastic ball head Ø 10mm (10°)	92077 M6x1,0 plastic ball head Ø 10mm (10°)	
81 946 06	Vauxhall	8	18	595	250	350	92077 M6x1,0 plastic ball head Ø 10mm (10°)	92077 M6x1,0 plastic ball head Ø 10mm (10°)	
81 946 07	Vauxhall	8	18	510	200	550	92077 M6x1,0 plastic ball head Ø 10mm (10°)	92077 M6x1,0 plastic ball head Ø 10mm (10°)	
81 946 08	Vauxhall	8	18	566	210	430	92076 M6x1,0 plastic ball head Ø 10mm	92076 M6x1,0 plastic ball head Ø 10mm	
81 946 09	Vauxhall	8	18	367	140	240	92076 M6x1,0 plastic ball head Ø 10mm	92076 M6x1,0 plastic ball head Ø 10mm	
81 946 10	Vauxhall	8	18	510	210	530	92077 M6x1,0 plastic ball head Ø 10mm (10°)	92077 M6x1,0 plastic ball head Ø 10mm (10°)	
81 946 11	Vauxhall	8	18	510	210	390	92077 M6x1,0 plastic ball head Ø 10mm (10°)	92076 M6x1,0 plastic ball head Ø 10mm	
81 946 12	Vauxhall	8	18	470	200	530	92076 M6x1,0 plastic ball head Ø 10mm	92076 M6x1,0 plastic ball head Ø 10mm	
81 946 13	Vauxhall	8	18	476	200	560	92076 M6x1,0 plastic ball head Ø 10mm	92076 M6x1,0 plastic ball head Ø 10mm	
81 946 14	Vauxhall	8	18	545	230	360	92076 M6x1,0 plastic ball head Ø 10mm	92076 M6x1,0 plastic ball head Ø 10mm	
81 946 15	Vauxhall	8	18	567	230	360	92076 M6x1,0 plastic ball head Ø 10mm	92076 M6x1,0 plastic ball head Ø 10mm	
81 946 19	Vauxhall	8	18	615	260	460	92021 M8x1,0 ball head Ø 13mm	92021 M8x1,0 ball head Ø 13mm	
81 946 20	Vauxhall	8	18	615	260	550	92021 M8x1,0 ball head Ø 13mm	92021 M8x1,0 ball head Ø 13mm	
81 946 21	Vauxhall	8	18	506	200	620	92077 M6x1,0 plastic ball head Ø 10mm (10°)	92077 M6x1,0 plastic ball head Ø 10mm (10°)	
81 946 22	Vauxhall	8	18	468	190	560	92076 M6x1,0 plastic ball head Ø 10mm	92076 M6x1,0 plastic ball head Ø 10mm	
81 946 23	Vauxhall	8	18	580	246	340	92076 M6x1,0 plastic ball head Ø 10mm	92076 M6x1,0 plastic ball head Ø 10mm	
81 946 24	Vauxhall	8	18	510	210	350	92077 M6x1,0 plastic ball head Ø 10mm (10°)	92076 M6x1,0 plastic ball head Ø 10mm	
81 946 25	Vauxhall	8	18	510	210	440	92077 M6x1,0 plastic ball head Ø 10mm (10°)	92076 M6x1,0 plastic ball head Ø 10mm	
81 946 26	Vauxhall	10	22	590	242	650	92021 M8x1,0 ball head Ø 13mm	92021 M8x1,0 ball head Ø 13mm	
81 946 27	Vauxhall	10	22	705	284	540	92021 M8x1,0 ball head Ø 13mm	92021 M8x1,0 ball head Ø 13mm	
81 946 28	Vauxhall	8	18	698	260	290	92077 M6x1,0 plastic ball head Ø 10mm (10°)	92077 M6x1,0 plastic ball head Ø 10mm (10°)	
81 946 29	Vauxhall	8	18	510	200	600	92077 M6x1,0 plastic ball head Ø 10mm (10°)	92077 M6x1,0 plastic ball head Ø 10mm (10°)	
81 946 30	Vauxhall	8	18	515	210	480	92077 M6x1,0 plastic ball head Ø 10mm (10°)	92077 M6x1,0 plastic ball head Ø 10mm (10°)	
81 946 31	Vauxhall	8	18	545	230	320	92076 M6x1,0 plastic ball head Ø 10mm	92076 M6x1,0 plastic ball head Ø 10mm	
81 946 32	Vauxhall	8	18	436	180	370	92077 M6x1,0 plastic ball head Ø 10mm (10°)	92077 M6x1,0 plastic ball head Ø 10mm (10°)	
81 946 33	Vauxhall	8	18	555	242	320	92077 M6x1,0 plastic ball head Ø 10mm (10°)	92077 M6x1,0 plastic ball head Ø 10mm (10°)	
81 946 35	Vauxhall	8	18	535	230	430	92076 M6x1,0 plastic ball head Ø 10mm	92076 M6x1,0 plastic ball head Ø 10mm	
81 946 36	Vauxhall	8	18	565	230	500	92076 M6x1,0 plastic ball head Ø 10mm	92076 M6x1,0 plastic ball head Ø 10mm	
81 946 37	Vauxhall	8	18	568	210	540	92078 M6x1,0 plastic ball head Ø 10mm	92076 M6x1,0 plastic ball head Ø 10mm	

Lesjöfors	Application	Rod Ø	Cyl Ø	Extended length	Stroke	Force (N)	Piston Rod, end fitting Drawing reference (see page 70–72)		Cylinder, end fitting Drawing reference (see page 70–72)		Info
81 946 38	Vauxhall	10	22	725	230	820	92076	M6x1,0 plastic ball head Ø 10mm	92076	M6x1,0 plastic ball head Ø 10mm	
81 946 39	Vauxhall	10	22	727	225	819	92076	M6x1,0 plastic ball head Ø 10mm	92076	M6x1,0 plastic ball head Ø 10mm	
81 946 40	Vauxhall	8	18	828	327	355	92076	M6x1,0 plastic ball head Ø 10mm	92076	M6x1,0 plastic ball head Ø 10mm	
81 946 42	Vauxhall	8	18	544	200	590	92077	M6x1,0 plastic ball head Ø 10mm (10°)	92077	M6x1,0 plastic ball head Ø 10mm (10°)	
81 946 43	Vauxhall	8	18	470	200	350	92076	M6x1,0 plastic ball head Ø 10mm	92076	M6x1,0 plastic ball head Ø 10mm	
81 946 45	Vauxhall	10	22	830	225	750	92076	M6x1,0 plastic ball head Ø 10mm	92076	M6x1,0 plastic ball head Ø 10mm	
81 950 00	Volkswagen	8	18	500	214	230	92011	Welded eye Ø 8mm	92076	M6x1,0 plastic ball head Ø 10mm	
81 950 01	Volkswagen	8	18	640	260	390	92076	M6x1,0 plastic ball head Ø 10mm	92011	Welded eye Ø 8mm	
81 950 02	Volkswagen	8	18	497	214	470	92011	Welded eye Ø 8mm	92011	Welded eye Ø 8mm	
81 950 03	Volkswagen	8	18	500	200	270	92076	M6x1,0 plastic ball head Ø 10mm	92011	Welded eye Ø 8mm	
81 950 04	Volkswagen	8	18	500	210	270	92077	M6x1,0 plastic ball head Ø 10mm (10°)	92077	M6x1,0 plastic ball head Ø 10mm (10°)	
81 950 05	Volkswagen	8	18	500	210	330	92076	M6x1,0 plastic ball head Ø 10mm	92077	M6x1,0 plastic ball head Ø 10mm (10°)	
81 950 06	Volkswagen	8	18	583	250	360	92076	M6x1,0 plastic ball head Ø 10mm	92077	M6x1,0 plastic ball head Ø 10mm (10°)	
81 950 07	Volkswagen	8	18	415	164	260	92015	M8x1,0 eye Ø 8,2mm	92011	Welded eye Ø 8mm	
81 950 08	Volkswagen	8	18	551	222	400	92011	Welded eye Ø 8mm	92011	Welded eye Ø 8mm	
81 950 09	Volkswagen	8	18	540	214	480	92011	Welded eye Ø 8mm	92011	Welded eye Ø 8mm	
81 950 10	Volkswagen	8	18	570	222	380	92004	Welded eye Ø 13mm	92076	M6x1,0 plastic ball head Ø 10mm	
81 950 11	Volkswagen	8	18	530	230	460	92018	M6x1,0 ball head Ø 10mm	92018	M6x1,0 ball head Ø 10mm	
81 950 12	Volkswagen	8	18	515	220	500	92018	M6x1,0 ball head Ø 10mm	92018	M6x1,0 ball head Ø 10mm	
81 950 14	Volkswagen	8	18	520	220	550	92076	M6x1,0 plastic ball head Ø 10mm	92011	Welded eye Ø 8mm	
81 950 15	Volkswagen	8	18	515	220	550	92076	M6x1,0 plastic ball head Ø 10mm	92011	Welded eye Ø 8mm	
81 950 16	Volkswagen	8	18	520	220	550	92076	M6x1,0 plastic ball head Ø 10mm	92076	M6x1,0 plastic ball head Ø 10mm	
81 950 17	Volkswagen	8	18	507	210	560	92077	M6x1,0 plastic ball head Ø 10mm (10°)	92076	M6x1,0 plastic ball head Ø 10mm	
81 950 18	Volkswagen	8	18	570	222	600	92004	Welded eye Ø 13mm	92076	M6x1,0 plastic ball head Ø 10mm	
81 950 20	Volkswagen	8	18	500	202	380	92071	Welded eye Ø 6mm	92076	M6x1,0 plastic ball head Ø 10mm	
81 950 21	Volkswagen	8	18	500	202	460	92071	Welded eye Ø 6mm	92025	M6x1,0 ball head Ø 8mm	
81 950 22	Volkswagen	8	18	515	220	600	92076	M6x1,0 plastic ball head Ø 10mm	92011	Welded eye Ø 8mm	
81 950 23	Volkswagen	10	22	570	240	660	92076	M6x1,0 plastic ball head Ø 10mm	92076	M6x1,0 plastic ball head Ø 10mm	
81 950 24	Volkswagen	10	22	570	240	750	92076	M6x1,0 plastic ball head Ø 10mm	92076	M6x1,0 plastic ball head Ø 10mm	
81 950 25	Volkswagen	10	27,4	685	262	710	92077	M6x1,0 plastic ball head Ø 10mm (10°)	92077	M6x1,0 plastic ball head Ø 10mm (10°)	
81 950 26	Volkswagen	10	27,4	685	262	830	92077	M6x1,0 plastic ball head Ø 10mm (10°)	92077	M6x1,0 plastic ball head Ø 10mm (10°)	
81 950 27	Volkswagen	10	22	259	92	690	92076	M6x1,0 plastic ball head Ø 10mm	92018	M6x1,0 ball head Ø 10mm	
81 950 28	Volkswagen	8	18	500	202	300	92011	Welded eye Ø 8mm	92011	Welded eye Ø 8mm	
81 950 29	Volkswagen	8	18	513	210	540	92076	M6x1,0 plastic ball head Ø 10mm	92011	Welded eye Ø 8mm	
81 950 30	Volkswagen	10	27,4	590	212	790	92077	M6x1,0 plastic ball head Ø 10mm (10°)	92077	M6x1,0 plastic ball head Ø 10mm (10°)	
81 950 31	Volkswagen	8	18	430	171	330	92076	M6x1,0 plastic ball head Ø 10mm	92076	M6x1,0 plastic ball head Ø 10mm	
81 950 32	Volkswagen	10	22	174	45	650	92076	M6x1,0 plastic ball head Ø 10mm	92076	M6x1,0 plastic ball head Ø 10mm	
81 950 33	Volkswagen	8	18	501	210	500	92078	M6x1,0 plastic ball head Ø 10mm	92077	M6x1,0 plastic ball head Ø 10mm (10°)	
81 950 35	Volkswagen	8	18	278	100	490	92022	M8x1,0 ball head Ø 10mm	92022	M8x1,0 ball head Ø 10mm	
81 950 36	Volkswagen	8	18	279	100	520	92022	M8x1,0 ball head Ø 10mm	92022	M8x1,0 ball head Ø 10mm	
81 950 37	Volkswagen	8	18	600	250	330	92076	M6x1,0 plastic ball head Ø 10mm	92076	M6x1,0 plastic ball head Ø 10mm	
81 950 38	Volkswagen	8	18	278	100	520	92076	M6x1,0 plastic ball head Ø 10mm	92076	M6x1,0 plastic ball head Ø 10mm	
81 950 39	Volkswagen	8	18	502	210	500	92078	M6x1,0 plastic ball head Ø 10mm	92077	M6x1,0 plastic ball head Ø 10mm (10°)	
81 950 40	Volkswagen	8	18	504	210	350	92078	M6x1,0 plastic ball head Ø 10mm	92077	M6x1,0 plastic ball head Ø 10mm (10°)	
81 950 41	Volkswagen	8	18	502	210	365	92078	M6x1,0 plastic ball head Ø 10mm	92077	M6x1,0 plastic ball head Ø 10mm (10°)	
81 950 42	Volkswagen	8	18	285	100	315	92076	M6x1,0 plastic ball head Ø 10mm	92076	M6x1,0 plastic ball head Ø 10mm	
81 950 43	Volkswagen	8	18	500	210	480	92078	M6x1,0 plastic ball head Ø 10mm	92078	M6x1,0 plastic ball head Ø 10mm	
81 950 44	Volkswagen	8	18	500	208	500	92078	M6x1,0 plastic ball head Ø 10mm	92077	M6x1,0 plastic ball head Ø 10mm (10°)	
81 950 45	Volkswagen	10	22	428	156	560	92078	M6x1,0 plastic ball head Ø 10mm	92076	M6x1,0 plastic ball head Ø 10mm	
81 950 46	Volkswagen	10	27,4	756	218	970	92076	M6x1,0 plastic ball head Ø 10mm	92077	M6x1,0 plastic ball head Ø 10mm (10°)	
81 950 47	Volkswagen	8	18	506	166	770	92076	M6x1,0 plastic ball head Ø 10mm	92077	M6x1,0 plastic ball head Ø 10mm (10°)	
81 950 48	Volkswagen	8	18	500	209	380	92078	M6x1,0 plastic ball head Ø 10mm	92077	M6x1,0 plastic ball head Ø 10mm (10°)	
81 950 50	Volkswagen	10	22	718	280	870		Plastic ball head		Plastic ball head	New 2009
81 950 51	Volkswagen	8	18	464	185	360		Plastic ball head		Plastic ball head	New 2009
81 950 52	Volkswagen	10	22	175	45	720		Plastic ball head		Plastic ball head	New 2009
81 950 53	Volkswagen	8	18	478	190	550		Plastic ball head		Plastic ball head	New 2009
81 950 54	Volkswagen	8	18	527	211	420		Plastic ball head		Plastic ball head	New 2009
81 950 55	Volkswagen	10	22	299	75	710		Plastic ball head		Plastic ball head	New 2009
81 950 56	Volkswagen	8	18	453	181	550		Plastic ball head		Plastic ball head	New 2009
81 950 57	Volkswagen	8	18	318	90	550		Plastic ball head		Plastic ball head	New 2009
81 950 59	Volkswagen	8	18	367	145	390		Plastic ball head		Plastic ball head	New 2009
81 950 60	Volkswagen	8	18	280	99	530	92076	M6x1,0 plastic ball head Ø 10mm	92076	M6x1,0 plastic ball head Ø 10mm	New 2009
81 950 61	Volkswagen	8	18	286	103	365	92076	M6x1,0 plastic ball head Ø 10mm	92076	M6x1,0 plastic ball head Ø 10mm	New 2009
81 958 01	Volvo	10	22	470	202	700	92020	M8x1,0 ball head Ø 13mm	92011	Welded eye Ø 8mm	
81 958 02	Volvo	10	22	580	262	610	92020	M8x1,0 ball head Ø 13mm	92017	M8x1,0 eye Ø 9,2mm	
81 958 04	Volvo	10	22	475	202	700	92020	M8x1,0 ball head Ø 13mm	92017	M8x1,0 eye Ø 9,2mm	
81 958 05	Volvo	10	22	489	202	400	92020	M8x1,0 ball head Ø 13mm	92011	Welded eye Ø 8mm	
81 958 06	Volvo	8	18	536	210	350	Thread	M6x1,0 thread	92076	M6x1,0 plastic ball head Ø 10mm	
81 958 07	Volvo	8	18	550	230	460	92076	M6x1,0 plastic ball head Ø 10mm	92076	M6x1,0 plastic ball head Ø 10mm	
81 958 08	Volvo	8	18	555	250	415	92076	M6x1,0 plastic ball head Ø 10mm	92076	M6x1,0 plastic ball head Ø 10mm	
81 958 09	Volvo	8	18	550	230	475	92077	M6x1,0 plastic ball head Ø 10mm (10°)	92077	M6x1,0 plastic ball head Ø 10mm (10°)	

Lesjöfors	Application	Rod Ø	Cyl Ø	Extended length	Stroke	Force (N)	Piston Rod, end fitting Drawing reference (see page 70–72)	Cylinder, end fitting Drawing reference (see page 70–72)	Info
81 958 10	Volvo	8	18	535	230	200	92076 M6x1,0 plastic ball head Ø 10mm	92076 M6x1,0 plastic ball head Ø 10mm	
81 958 11	Volvo	8	18	366	149	290	92066 M6x1,0 hook	92010 Welded eye Ø 6,1mm	
81 958 12	Volvo	8	18	366	149	380	92066 M6x1,0 hook	92010 Welded eye Ø 6,1mm	
81 958 13	Volvo	8	18	542	230	330	92077 M6x1,0 plastic ball head Ø 10mm (10')	92077 M6x1,0 plastic ball head Ø 10mm (10')	
81 958 14	Volvo	8	18	465	200	300	92066 M6x1,0 hook	92010 Welded eye Ø 6,1mm	
81 958 15	Volvo	8	18	465	200	335	92066 M6x1,0 hook	92010 Welded eye Ø 6,1mm	
81 958 16	Volvo	12,5	27,4	272	74	1500	92021 M8x1,0 ball head Ø 13mm	92021 M8x1,0 ball head Ø 13mm	
81 958 17	Volvo	8	18	530	200	310	92076 M6x1,0 plastic ball head Ø 10mm	92076 M6x1,0 plastic ball head Ø 10mm	
81 958 18	Volvo	8	18	523	220	350	92076 M6x1,0 plastic ball head Ø 10mm	92076 M6x1,0 plastic ball head Ø 10mm	
81 958 19	Volvo	8	18	298	100	490	92078 M6x1,0 plastic ball head Ø 10mm	92078 M6x1,0 plastic ball head Ø 10mm	
81 958 20	Volvo	8	18	298	100	510	92078 M6x1,0 plastic ball head Ø 10mm	92078 M6x1,0 plastic ball head Ø 10mm	
81 958 21	Volvo	8	18	600	280	320	92078 M6x1,0 plastic ball head Ø 10mm	92077 M6x1,0 plastic ball head Ø 10mm (10')	
81 958 22	Volvo	8	18	495	210	320	92066 M6x1,0 hook	92076 M6x1,0 plastic ball head Ø 10mm	
81 958 23	Volvo	8	18	495	210	340	92066 M6x1,0 hook	92076 M6x1,0 plastic ball head Ø 10mm	
81 958 24	Volvo	8	18	363	138	310	92078 M6x1,0 plastic ball head Ø 10mm	92078 M6x1,0 plastic ball head Ø 10mm	
81 958 25	Volvo	12,5	28	320	94	1160	92020 M8x1,0 ball head Ø 13mm	92020 M8x1,0 ball head Ø 13mm	
81 958 26	Volvo	8	18	270	80	420	92076 M6x1,0 plastic ball head Ø 10mm	92076 M6x1,0 plastic ball head Ø 10mm	
81 958 27	Volvo	8	18	468	193	380	92078 M6x1,0 plastic ball head Ø 10mm	92076 M6x1,0 plastic ball head Ø 10mm	
81 958 28	Volvo	8	18	325	111	325	92078 M6x1,0 plastic ball head Ø 10mm	92078 M6x1,0 plastic ball head Ø 10mm	
81 958 29	Volvo	8	18	429	171	425	92078 M6x1,0 plastic ball head Ø 10mm	92078 M6x1,0 plastic ball head Ø 10mm	
81 958 30	Volvo	8	18	482	186	360	Plastic ball head	Plastic ball head	New 2009
81 958 31	Volvo	8	18	290	92	600	Plastic ball head	Plastic ball head	New 2009
81 958 32	Volvo	10	27,4	309	100	1350	Ball head	Ball head	New 2009
81 958 33	Volvo	8	18	298	103	600	Plastic ball head	Plastic ball head	New 2009

Lesjöfors	Application	Rod Ø	Cyl Ø	Extended length	Stroke	Force (N)	Piston Rod, end fitting Drawing reference (see page 70-72)		Cylinder, end fitting Drawing reference (see page 70-72)		Info
81 950 32	Volkswagen	10	22	174	45	650	92076	M6x1,0 plastic ball head Ø 10mm	92076	M6x1,0 plastic ball head Ø 10mm	
81 950 52	Volkswagen	10	22	175	45	720		Plastic ball head		Plastic ball head	New 2009
81 729 16	Renault	8	18	180	61	480	92076	M6x1,0 plastic ball head Ø 10mm	92010	Welded eye Ø 6,1mm	
80 667 00	Peugeot	10	22	193	60	850	92076	M6x1,0 plastic ball head Ø 10mm	92076	M6x1,0 plastic ball head Ø 10mm	
81 275 65	Ford	8	18	203	65	480		Plastic ball head		Plastic ball head	New 2009
80 261 02	Fiat	8	18	212	57	200	92078	M6x1,0 plastic ball head Ø 10mm	92078	M6x1,0 plastic ball head Ø 10mm	
81 084 19	BMW	8	18	213	62	545	92078	M6x1,0 plastic ball head Ø 10mm	92078	M6x1,0 plastic ball head Ø 10mm	
81 778 07	Saab	8	18	228	75	100	92076	M6x1,0 plastic ball head Ø 10mm	92076	M6x1,0 plastic ball head Ø 10mm	
80 568 05	Mercedes	10	22	233	66	850	92018	M6x1,0 ball head Ø 10mm	92076	M6x1,0 plastic ball head Ø 10mm	
80 084 03	BMW	8	18	240	84	380	92011	Welded eye Ø 8mm	92011	Welded eye Ø 8mm	
80 587 01	Mini	10	22	241	80	700		Plastic ball head		Plastic ball head	New 2009
81 084 17	BMW	8	18	242	88	560	92011	Welded eye Ø 8mm	92018	M6x1,0 ball head Ø 10mm	
80 958 06	Volvo	8	18	245	82	700		Plastic ball head		Plastic ball head	New 2009
81 275 29	Ford	8	18	245	89	330	92011	Welded eye Ø 8mm	92011	Welded eye Ø 8mm	
80 958 02	Volvo	6	15	245	91	400	92078	M6x1,0 plastic ball head Ø 10mm	92078	M6x1,0 plastic ball head Ø 10mm	
80 275 01	Ford	8	18	248	85	660	92076	M6x1,0 plastic ball head Ø 10mm	92076	M6x1,0 plastic ball head Ø 10mm	
80 634 02	Opel	10	22	250	85	850	92076	M6x1,0 plastic ball head Ø 10mm	92076	M6x1,0 plastic ball head Ø 10mm	
80 946 02	Vauxhall	10	22	250	85	850	92076	M6x1,0 plastic ball head Ø 10mm	92076	M6x1,0 plastic ball head Ø 10mm	
81 829 09	Seat	8	18	252	95	440	92011	Welded eye Ø 8mm	92011	Welded eye Ø 8mm	
81 007 16	Alfa Romeo	10	22	253	85	1180		Plastic ball head		Plastic ball head	New 2009
80 084 05	BMW	8	18	254	89	440	92011	Welded eye Ø 8mm	92011	Welded eye Ø 8mm	
81 568 13	Mercedes	10	22	255	85	610		Plastic ball head		Plastic ball head	New 2009
81 568 14	Mercedes	8	18	255	85	530		Plastic ball head		Plastic ball head	New 2009
80 084 00	BMW	8	18	255	89	350	92011	Welded eye Ø 8mm	92011	Welded eye Ø 8mm	
81 007 02	Alfa Romeo	8	18	255	89	490	92011	Welded eye Ø 8mm	92011	Welded eye Ø 8mm	
81 084 07	BMW	8	18	255	89	490	92011	Welded eye Ø 8mm	92011	Welded eye Ø 8mm	
81 275 42	Ford	8	18	256	90	500	92022	M8x1,0 ball head Ø 10mm	92022	M8x1,0 ball head Ø 10mm	
81 697 00	Porsche	8	18	256	90	370	92014	M6x1,0 eye Ø 6,2mm	92071	Welded eye Ø 6mm	
81 697 01	Porsche	8	18	256	90	600	92014	M6x1,0 eye Ø 6,2mm	92071	Welded eye Ø 6mm	
81 275 43	Ford	10	22	256	92	630	92022	M8x1,0 ball head Ø 10mm	92022	M8x1,0 ball head Ø 10mm	
81 950 27	Volkswagen	10	22	259	92	690	92076	M6x1,0 plastic ball head Ø 10mm	92018	M6x1,0 ball head Ø 10mm	
81 634 50	Opel	8	18	262	89	520	92076	M6x1,0 plastic ball head Ø 10mm	92076	M6x1,0 plastic ball head Ø 10mm	
81 007 11	Alfa Romeo	8	18	263	94	370	92076	M6x1,0 plastic ball head Ø 10mm	92076	M6x1,0 plastic ball head Ø 10mm	
80 568 01	Mercedes	10	22	265	72	1040	92064	M6x1,0 plastic tap	92011	Welded eye Ø 8mm	
81 667 04	Peugeot	10	22	265	92	820	92076	M6x1,0 plastic ball head Ø 10mm	92076	M6x1,0 plastic ball head Ø 10mm	
81 620 39	Nissan	8	18	267	88	510	92076	M6x1,0 plastic ball head Ø 10mm	92076	M6x1,0 plastic ball head Ø 10mm	
81 620 04	Nissan	10	22	270	75	450	93037	M8x1,0 ball head Ø 10mm incl. Ball bolt	93037	M8x1,0 ball head Ø 10mm incl. Ball bolt	
81 620 05	Nissan	10	22	270	75	550	93037	M8x1,0 ball head Ø 10mm incl. Ball bolt	93037	M8x1,0 ball head Ø 10mm incl. Ball bolt	
81 958 26	Volvo	8	18	270	80	420	92076	M6x1,0 plastic ball head Ø 10mm	92076	M6x1,0 plastic ball head Ø 10mm	
81 007 21	Alfa Romeo	8	18	270	92	380		Plastic ball head		Plastic ball head	New 2009
81 484 00	Lancia	8	18	270	100	440	92076	M6x1,0 plastic ball head Ø 10mm	92076	M6x1,0 plastic ball head Ø 10mm	
81 958 16	Volvo	12,5	27,4	272	74	1500	92021	M8x1,0 ball head Ø 13mm	92021	M8x1,0 ball head Ø 13mm	
81 042 03	Audi	10	22	275	100	580	92076	M6x1,0 plastic ball head Ø 10mm	92076	M6x1,0 plastic ball head Ø 10mm	
81 042 04	Audi	10	22	275	100	660	92076	M6x1,0 plastic ball head Ø 10mm	92076	M6x1,0 plastic ball head Ø 10mm	
81 757 13	Rover	6	15	275	100	320	92078	M6x1,0 plastic ball head Ø 10mm	92078	M6x1,0 plastic ball head Ø 10mm	
81 568 04	Mercedes	10	27	278	92	1780		Special		Special	
80 042 13	Audi	8	18	278	100	440	92076	M6x1,0 plastic ball head Ø 10mm	92076	M6x1,0 plastic ball head Ø 10mm	
81 042 26	Audi	8	18	278	100	630	92076	M6x1,0 plastic ball head Ø 10mm	92076	M6x1,0 plastic ball head Ø 10mm	
81 950 35	Volkswagen	8	18	278	100	490	92022	M8x1,0 ball head Ø 10mm	92022	M8x1,0 ball head Ø 10mm	
81 950 38	Volkswagen	8	18	278	100	520	92076	M6x1,0 plastic ball head Ø 10mm	92076	M6x1,0 plastic ball head Ø 10mm	
81 275 61	Ford	8	18	279	89	510	92076	M6x1,0 plastic ball head Ø 10mm	92076	M6x1,0 plastic ball head Ø 10mm	
81 950 36	Volkswagen	8	18	279	100	520	92022	M8x1,0 ball head Ø 10mm	92022	M8x1,0 ball head Ø 10mm	
81 778 13	Saab	8	18	280	94	550	92076	M6x1,0 plastic ball head Ø 10mm	92078	M6x1,0 plastic ball head Ø 10mm	
81 829 11	Seat	8	18	280	99	530	92076	M6x1,0 plastic ball head Ø 10mm	92076	M6x1,0 plastic ball head Ø 10mm	
81 857 10	Skoda	8	18	280	99	530	92076	M6x1,0 plastic ball head Ø 10mm	92076	M6x1,0 plastic ball head Ø 10mm	New 2009
81 950 60	Volkswagen	8	18	280	99	530	92076	M6x1,0 plastic ball head Ø 10mm	92076	M6x1,0 plastic ball head Ø 10mm	New 2009
81 007 07	Alfa Romeo	8	18	280	100	600	92018	M6x1,0 ball head Ø 10mm	92018	M6x1,0 ball head Ø 10mm	
81 007 08	Alfa Romeo	8	18	280	100	600	92018	M6x1,0 ball head Ø 10mm	92018	M6x1,0 ball head Ø 10mm	
81 042 05	Audi	8	18	280	100	580	92076	M6x1,0 plastic ball head Ø 10mm	92018	M6x1,0 ball head Ø 10mm	
81 042 06	Audi	8	18	280	100	660	92076	M6x1,0 plastic ball head Ø 10mm	92018	M6x1,0 ball head Ø 10mm	
81 042 14	Audi	8	18	280	100	490	92076	M6x1,0 plastic ball head Ø 10mm	92076	M6x1,0 plastic ball head Ø 10mm	
81 634 46	Opel	8	18	280	102	400	92078	M6x1,0 plastic ball head Ø 10mm	92078	M6x1,0 plastic ball head Ø 10mm	
81 007 13	Alfa Romeo	8	18	280	105	390	92078	M6x1,0 plastic ball head Ø 10mm	92078	M6x1,0 plastic ball head Ø 10mm	
81 275 54	Ford	8	18	280	109	420	92078	M6x1,0 plastic ball head Ø 10mm	92078	M6x1,0 plastic ball head Ø 10mm	
81 778 19	Saab	8	18	281	98	680		Plastic ball head		Ball head	New 2009
81 778 20	Saab	10	22	281	100	650		Plastic ball head		Ball head	New 2009
81 778 21	Saab	10	22	281	100	680		Plastic ball head		Ball head	New 2009
81 568 20	Mercedes	8	18	282	98	560		Plastic ball head		Plastic ball head	New 2009
80 084 17	BMW	8	18	283	100	720		Plastic ball head		Plastic ball head	New 2009
80 958 04	Volvo	8	18	283	103	450		Plastic ball head		Plastic ball head	New 2009
81 275 40	Ford	8	18	285	100	230	92022	M8x1,0 ball head Ø 10mm	92022	M8x1,0 ball head Ø 10mm	



Lesjöfors	Application	Rod Ø	Cyl Ø	Extended length	Stroke	Force (N)	Piston Rod, end fitting Drawing reference (see page 70–72)		Cylinder, end fitting Drawing reference (see page 70–72)		Info
81 829 00	Seat	8	18	285	100	315	92076	M6x1,0 plastic ball head Ø 10mm	92076	M6x1,0 plastic ball head Ø 10mm	
81 950 42	Volkswagen	8	18	285	100	315	92076	M6x1,0 plastic ball head Ø 10mm	92076	M6x1,0 plastic ball head Ø 10mm	
81 829 07	Seat	8	18	286	103	365	92076	M6x1,0 plastic ball head Ø 10mm	92076	M6x1,0 plastic ball head Ø 10mm	
81 950 61	VW	8	18	286	103	365	92076	M6x1,0 plastic ball head Ø 10mm	92076	M6x1,0 plastic ball head Ø 10mm	New 2009
81 829 12	Seat	8	18	286	106	600	92078	M6x1,0 plastic ball head Ø 10mm	92076	M6x1,0 plastic ball head Ø 10mm	
80 084 10	BMW	8	18	287	105	640	92078	M6x1,0 plastic ball head Ø 10mm	92078	M6x1,0 plastic ball head Ø 10mm	
80 421 01	Jeep	8	18	287	105	460		Plastic ball head		Plastic ball head	New 2009
81 958 31	Volvo	8	18	290	92	600		Plastic ball head		Plastic ball head	New 2009
81 667 28	Peugeot	8	18	290	110	290	92078	M6x1,0 plastic ball head Ø 10mm	92076	M6x1,0 plastic ball head Ø 10mm	
81 007 19	Alfa Romeo	8	18	290	114	380		Plastic ball head		Plastic ball head	New 2009
80 084 15	BMW	8	18	292	110	540		Plastic ball head		Plastic ball head	New 2009
80 757 02	Land Rover	8	18	293	101	410		Plastic ball head		Plastic ball head	New 2009
81 084 31	BMW	8	18	294	100	250		Plastic ball head		Plastic ball head	New 2009
81 084 20	BMW	8	18	295	85	480	92076	M6x1,0 plastic ball head Ø 10mm	92076	M6x1,0 plastic ball head Ø 10mm	
81 084 02	BMW	8	18	295	100	480	92076	M6x1,0 plastic ball head Ø 10mm	92076	M6x1,0 plastic ball head Ø 10mm	
81 042 32	Audi	8	18	296	79	700	92076	M6x1,0 plastic ball head Ø 10mm	92076	M6x1,0 plastic ball head Ø 10mm	
81 958 19	Volvo	8	18	298	100	490	92078	M6x1,0 plastic ball head Ø 10mm	92078	M6x1,0 plastic ball head Ø 10mm	
81 958 20	Volvo	8	18	298	100	510	92078	M6x1,0 plastic ball head Ø 10mm	92078	M6x1,0 plastic ball head Ø 10mm	
81 958 33	Volvo	8	18	298	103	600		Plastic ball head		Plastic ball head	New 2009
81 042 34	Audi	8	18	298	115	650	92076	M6x1,0 plastic ball head Ø 10mm	92078	M6x1,0 plastic ball head Ø 10mm	New 2009
81 950 55	Volkswagen	10	22	299	75	710		Plastic ball head		Plastic ball head	New 2009
81 042 30	Audi	8	18	299	79	730	92076	M6x1,0 plastic ball head Ø 10mm	92076	M6x1,0 plastic ball head Ø 10mm	
80 860 00	Smart	8	18	299	115	240		Plastic ball head		Plastic ball head	New 2009
81 275 50	Ford	8	18	300	100	560	92078	M6x1,0 plastic ball head Ø 10mm	92078	M6x1,0 plastic ball head Ø 10mm	
81 729 37	Renault	8	18	300	113	410		Plastic ball head		Plastic ball head	New 2009
81 042 01	Audi	8	18	300	115	400	92077	M6x1,0 plastic ball head Ø 10mm (10°)	92076	M6x1,0 plastic ball head Ø 10mm	
81 042 02	Audi	8	18	300	115	490	92077	M6x1,0 plastic ball head Ø 10mm (10°)	92076	M6x1,0 plastic ball head Ø 10mm	
81 007 03	Alfa Romeo	8	18	305	99	320	92011	Welded eye Ø 8mm	92011	Welded eye Ø 8mm	
81 667 03	Peugeot	8	18	305	114	275	92010	Welded eye Ø 6,1mm	92010	Welded eye Ø 6,1mm	
81 860 00	Smart	6	15	305	120	130	92078	M6x1,0 plastic ball head Ø 10mm	92078	M6x1,0 plastic ball head Ø 10mm	
81 958 32	Volvo	10	27,4	309	100	1350		Ball head		Ball head	New 2009
81 729 04	Renault	8	18	310	100	420	92076	M6x1,0 plastic ball head Ø 10mm	92076	M6x1,0 plastic ball head Ø 10mm	
81 729 11	Renault	8	18	310	100	580	92076	M6x1,0 plastic ball head Ø 10mm	92076	M6x1,0 plastic ball head Ø 10mm	
81 667 42	Peugeot	8	18	310	110	430		Plastic ball head		Plastic ball head	New 2009
81 042 35	Audi	8	18	311	115	590		Plastic ball head		Plastic ball head	New 2009
81 729 24	Renault	8	18	312	125	600	92076	M6x1,0 plastic ball head Ø 10mm	92076	M6x1,0 plastic ball head Ø 10mm	
81 156 31	Citroen	8	18	313	101	228	92076	M6x1,0 plastic ball head Ø 10mm		Special	
80 084 14	BMW	8	18	313	117	330		Plastic ball head		Plastic ball head	New 2009
81 084 14	BMW	10	22	314	100	640	92018	M6x1,0 ball head Ø 10mm		Special	
80 042 22	Audi	8	18	314	120	440		Plastic ball head		Plastic ball head	New 2009
81 620 30	Nissan	8	18	314	133	420	92076	M6x1,0 plastic ball head Ø 10mm	92076	M6x1,0 plastic ball head Ø 10mm	
81 275 15	Ford	8	18	315	115	300	92076	M6x1,0 plastic ball head Ø 10mm	92076	M6x1,0 plastic ball head Ø 10mm	
80 084 09	BMW	8	18	317	120	580	92078	M6x1,0 plastic ball head Ø 10mm	92078	M6x1,0 plastic ball head Ø 10mm	
81 007 15	Alfa Romeo	8	18	317	120	580	92078	M6x1,0 plastic ball head Ø 10mm	92078	M6x1,0 plastic ball head Ø 10mm	
81 585 07	MG	8	18	317	120	370		Plastic ball head		Plastic ball head	New 2009
81 757 19	Rover	8	18	317	120	370		Plastic ball head		Plastic ball head	New 2009
81 950 57	Volkswagen	8	18	318	90	550		Plastic ball head		Plastic ball head	New 2009
81 778 18	Saab	8	18	319	117	38	92078	M6x1,0 plastic ball head Ø 10mm	92078	M6x1,0 plastic ball head Ø 10mm	
81 667 16	Peugeot	8	18	319	124	520	92011	Welded eye Ø 8mm	92011	Welded eye Ø 8mm	
81 958 25	Volvo	12,5	28	320	94	1160	92020	M8x1,0 ball head Ø 13mm	92020	M8x1,0 ball head Ø 13mm	
80 697 00	Porsche	8	18	320	125	370	92014	M6x1,0 eye Ø 6,2mm	92071	Welded eye Ø 6mm	
81 667 41	Peugeot	8	18	320	140	470		Plastic ball head		Plastic ball head	New 2009
81 667 43	Peugeot	8	18	321	130	450		Plastic ball head		Plastic ball head	New 2009
81 958 28	Volvo	8	18	325	111	325	92078	M6x1,0 plastic ball head Ø 10mm	92078	M6x1,0 plastic ball head Ø 10mm	
80 084 06	BMW	10	22	325	115	830	92018	M6x1,0 ball head Ø 10mm	92018	M6x1,0 ball head Ø 10mm	
81 568 02	Mercedes	10	27,4	326	112	1400	92018	M6x1,0 ball head Ø 10mm	92018	M6x1,0 ball head Ø 10mm	
81 042 38	Audi	8	18	331	115	495		Plastic ball head		Plastic ball head	New 2009
80 084 08	BMW	8	18	333	140	680	92078	M6x1,0 plastic ball head Ø 10mm	92078	M6x1,0 plastic ball head Ø 10mm	
80 585 00	MG	8	18	338	129	420		Plastic ball head		Plastic ball head	New 2009
80 757 03	Rover	8	18	338	129	420		Plastic ball head		Plastic ball head	New 2009
80 084 11	BMW	8	18	345	120	700	92076	M6x1,0 plastic ball head Ø 10mm		Special	
81 729 42	Renault	8	18	345	132	350		Plastic ball head		Plastic ball head	New 2009
81 084 16	BMW	10	22	347	67	540	92076	M6x1,0 plastic ball head Ø 10mm	92076	M6x1,0 plastic ball head Ø 10mm	
81 007 12	Alfa Romeo	8	18	347	125	620	92076	M6x1,0 plastic ball head Ø 10mm	92076	M6x1,0 plastic ball head Ø 10mm	
80 421 02	Jeep	6	15	347	139	410		Plastic ball head		Plastic ball head	New 2009
81 568 19	Mercedes	8	18	349	127	440		Plastic ball head		Plastic ball head	New 2009
81 084 11	BMW	8	18	350	120	320	92078	M6x1,0 plastic ball head Ø 10mm	92078	M6x1,0 plastic ball head Ø 10mm	
81 042 08	Audi	8	18	350	130	230	92076	M6x1,0 plastic ball head Ø 10mm	92076	M6x1,0 plastic ball head Ø 10mm	
81 357 01	Honda	10	22	353	111	610	93018	Special	93041	Special	
81 357 02	Honda	10	22	353	111	610	93019	Special	93041	Special	
80 007 04	Alfa Romeo	8	18	355	121	350		Plastic ball head		Plastic ball head	New 2009

Lesjöfors	Application	Rod Ø	Cyl Ø	Extended length	Stroke	Force (N)	Piston Rod, end fitting Drawing reference (see page 70-72)	Cylinder, end fitting Drawing reference (see page 70-72)	Info
81 357 30	Honda	8	18	355	140	115		Plastic ball head	New 2009
81 058 00	Autobianchi	8	18	360	140	190	92076	M6x1,0 plastic ball head Ø 10mm	
81 084 22	BMW	8	18	362	115	260		Plastic ball head	New 2009
81 442 17	Kia	6	15	362	148	100		Plastic ball head	New 2009
81 958 24	Volvo	8	18	363	138	310	92078	M6x1,0 plastic ball head Ø 10mm	
81 729 35	Renault	6	15	363	147	135	92078	M6x1,0 plastic ball head Ø 10mm	
81 084 24	BMW	8	18	365	123	280		Plastic ball head	New 2009
80 084 01	BMW	8	18	365	145	320	92011	Welded eye Ø 8mm	
81 634 48	Opel	6	15	366	145	220	92076	M6x1,0 plastic ball head Ø 10mm	
81 958 11	Volvo	8	18	366	149	290	92066	M6x1,0 hook	
81 958 12	Volvo	8	18	366	149	380	92066	M6x1,0 hook	
81 946 09	Vauxhall	8	18	367	140	240	92076	M6x1,0 plastic ball head Ø 10mm	
81 950 59	Volkswagen	8	18	367	145	390		Plastic ball head	New 2009
81 084 03	BMW	8	18	367	146	410	92011	Welded eye Ø 8mm	
81 084 04	BMW	8	18	367	146	480	92011	Welded eye Ø 8mm	
81 084 27	BMW	8	18	368	112	320		Plastic ball head	New 2009
81 084 23	BMW	8	18	370	110	320		Plastic ball head	New 2009
80 084 12	BMW	8	18	373	147	350	92078	M6x1,0 plastic ball head Ø 10mm	
81 634 59	Opel/Vauxhall	6	15	375	133	180		Plastic ball head	New 2009
81 156 51	Citroen	8	20	375	140	495		Special	New 2009
81 667 40	Peugeot	8	18	375	145	615		Plastic ball head	New 2009
80 042 21	Audi	8	18	375	150	280		Plastic ball head	New 2009
81 357 08	Honda	8	18	377	149	230	92022	M8x1,0 ball head Ø 10mm	
81 275 68	Ford	8	18	381	128	540		Plastic ball head	New 2009
81 421 04	Jeep	8	18	381	128	200		Plastic ball head	New 2009
81 372 23	Hyundai	8	18	381	152	140		Plastic ball head	New 2009
81 142 03	Chevrolet	10	22	384	147	644		Plastic ball head	New 2009
81 177 06	Daewoo	10	22	384	147	644		Plastic ball head	New 2009
81 156 41	Citroen	8	18	388	155	465		Plastic ball head	New 2009
80 950 06	Volkswagen	8	18	389	157	360	92076	M6x1,0 plastic ball head Ø 10mm	
80 729 00	Renault	8	18	392	157	230		Special	
81 007 17	Alfa Romeo	8	18	392	158	170		Plastic ball head	New 2009
81 261 44	Fiat	8	18	392	158	180		Plastic ball head	New 2009
80 442 00	Kia	8	18	396	159	440		Plastic ball head	New 2009
80 007 02	Alfa Romeo	8	18	397	158	300	92076	M6x1,0 plastic ball head Ø 10mm	
81 634 47	Opel	8	18	397	158	350	92076	M6x1,0 plastic ball head Ø 10mm	
80 084 13	BMW	8	18	397	162	330		Plastic ball head	New 2009
81 778 14	Saab	10	27,4	398	116	1550	92020	M8x1,0 ball head Ø 13mm	
81 568 17	Mercedes	8	18	398	158	295		Ball head	New 2009
81 568 18	Mercedes	8	18	398	158	295		Ball head	New 2009
81 778 22	Saab	10	27,4	399	100	1260		Plastic ball head	New 2009
81 007 20	Alfa Romeo	8	18	399	165	400		Plastic ball head	New 2009
80 414 01	Jaguar	8	18	400	154	380	92076	M6x1,0 plastic ball head Ø 10mm	
80 757 01	Land Rover	6	15	400	166	230		Plastic ball head	New 2009
80 950 07	Volkswagen	8	18	402	157	460	92078	M6x1,0 plastic ball head Ø 10mm	
81 042 23	Audi	8	18	402	157	625	92076	M6x1,0 plastic ball head Ø 10mm	
80 950 13	Volkswagen	8	18	402	165	520	92076	M6x1,0 plastic ball head Ø 10mm	New 2009
81 042 21	Audi	8	18	402	165	520	92076	M6x1,0 plastic ball head Ø 10mm	
81 042 24	Audi	8	18	402	165	310	92076	M6x1,0 plastic ball head Ø 10mm	
81 042 22	Audi	8	18	403	162	200	92076	M6x1,0 plastic ball head Ø 10mm	
81 857 04	Skoda	8	18	403	164	580	92076	M6x1,0 plastic ball head Ø 10mm	
81 042 20	Audi	8	18	403	165	150	92076	M6x1,0 plastic ball head Ø 10mm	
81 261 24	Fiat	8	18	403	169	170	92076	M6x1,0 plastic ball head Ø 10mm	
80 697 01	Porsche	8	18	405	164	270	92076	M6x1,0 plastic ball head Ø 10mm	
81 042 10	Audi	8	18	405	164	390	92076	M6x1,0 plastic ball head Ø 10mm	
81 042 36	Audi	8	20	405	164	300	92076	M6x1,0 plastic ball head Ø 10mm	New 2009
81 757 16	Rover	8	18	405	164	300	92076	M6x1,0 plastic ball head Ø 10mm	
81 142 02	Chevrolet	8	18	406	162	335		Plastic ball head	New 2009
81 177 05	Daewoo	8	18	406	162	335		Plastic ball head	New 2009
81 667 20	Peugeot	6	15	406	162	310	92022	M8x1,0 ball head Ø 10mm	
81 084 21	BMW	8	18	410	157	400	92078	M6x1,0 plastic ball head Ø 10mm	
81 729 17	Renault	8	18	411	171	334	92078	M6x1,0 plastic ball head Ø 10mm	
81 442 18	Kia	8	18	412	160	540		Plastic ball head	New 2009
81 442 19	Kia	8	18	412	160	540		Plastic ball head	New 2009
80 084 07	BMW	8	18	412	169	280	92011	Welded eye Ø 8mm	
80 084 18	BMW	8	18	412	175	390		Plastic ball head	New 2009
81 357 15	Honda	10	22	415	158	475		Special	
81 357 16	Honda	10	22	415	158	475		Special	
81 950 07	Volkswagen	8	18	415	164	260	92015	M8x1,0 eye Ø 8,2mm	
81 729 29	Renault	8	18	418	163	445	92076	M6x1,0 plastic ball head Ø 10mm	
81 829 15	Seat	8	18	419	170	510		Plastic ball head	New 2009

Lesjöfors	Application	Rod Ø	Cyl Ø	Extended length	Stroke	Force (N)	Piston Rod, end fitting Drawing reference (see page 70–72)	Cylinder, end fitting Drawing reference (see page 70–72)	Info
81 925 62	Toyota	12,5	22	420	160	460	Ball head	Special	New 2009
81 925 63	Toyota	12,5	22	420	160	460	Ball head	Special	New 2009
81 925 64	Toyota	12,5	22	420	160	500	Ball head	Special	New 2009
81 925 65	Toyota	12,5	22	420	160	500	Ball head	Special	New 2009
81 667 14	Peugeot	8	18	420	169	363	92011 Welded eye Ø 8mm	92076 M6x1,0 plastic ball head Ø 10mm	
81 667 11	Peugeot	8	18	421	149	650	92076 M6x1,0 plastic ball head Ø 10mm	92076 M6x1,0 plastic ball head Ø 10mm	
81 084 29	BMW	8	18	423	167	350	Plastic ball head	Plastic ball head	New 2009
81 634 54	Opel	8	18	425	172	450	92077 M6x1,0 plastic ball head Ø 10mm (10')	92076 M6x1,0 plastic ball head Ø 10mm	
81 950 45	Volkswagen	10	22	428	156	560	92078 M6x1,0 plastic ball head Ø 10mm	92076 M6x1,0 plastic ball head Ø 10mm	
81 958 29	Volvo	8	18	429	171	425	92078 M6x1,0 plastic ball head Ø 10mm	92078 M6x1,0 plastic ball head Ø 10mm	
81 950 31	Volkswagen	8	18	430	171	330	92076 M6x1,0 plastic ball head Ø 10mm	92076 M6x1,0 plastic ball head Ø 10mm	
81 925 41	Toyota	8	18	432	163	585	92078 M6x1,0 plastic ball head Ø 10mm	92078 M6x1,0 plastic ball head Ø 10mm	
81 177 07	Daewoo	10	22	433,5	172	460	Plastic ball head	Plastic ball head	New 2009
81 925 39	Toyota	10	22	435	160	495	Special	Special	
81 925 40	Toyota	10	22	435	160	495	Special	Special	
81 372 19	Hyundai	8	18	435	170	100	Plastic ball head	Plastic ball head	New 2009
81 007 14	Alfa Romeo	8	18	435	175	370	92078 M6x1,0 plastic ball head Ø 10mm	92077 M6x1,0 plastic ball head Ø 10mm (10')	
81 860 01	Smart	8	18	435	175	160	Plastic ball head	Plastic ball head	New 2009
80 697 02	Porsche	8	18	435	180	150	92076 M6x1,0 plastic ball head Ø 10mm	92076 M6x1,0 plastic ball head Ø 10mm	
81 261 45	Fiat	8	18	435	180	350	Plastic ball head	Plastic ball head	New 2009
81 697 04	Porsche	8	18	435	180	420	92076 M6x1,0 plastic ball head Ø 10mm	92076 M6x1,0 plastic ball head Ø 10mm	
80 421 00	Jeep	6	15	436	180	300	Plastic ball head	Plastic ball head	New 2009
81 634 26	Opel	8	18	436	180	370	92076 M6x1,0 plastic ball head Ø 10mm	92076 M6x1,0 plastic ball head Ø 10mm	
81 946 32	Vauxhall	8	18	436	180	370	92077 M6x1,0 plastic ball head Ø 10mm (10')	92077 M6x1,0 plastic ball head Ø 10mm (10')	
80 007 03	Alfa Romeo	8	18	437	175	480	92078 M6x1,0 plastic ball head Ø 10mm	92078 M6x1,0 plastic ball head Ø 10mm	
81 889 14	Suzuki	8	18	438	168	410	Plastic ball head	Special	New 2009
81 889 15	Suzuki	8	18	438	168	410	Plastic ball head	Special	New 2009
81 261 30	Fiat	8	18	438	183	460	M6x1,0 plastic ball head Ø 10mm	M6x1,0 plastic ball head Ø 10mm	
81 261 31	Fiat	8	18	438	183	460	92076 M6x1,0 plastic ball head Ø 10mm	92076 M6x1,0 plastic ball head Ø 10mm	
81 729 01	Renault	10	22	440	163	720	92076 M6x1,0 plastic ball head Ø 10mm	92076 M6x1,0 plastic ball head Ø 10mm	
80 084 02	BMW	8	18	440	169	380	92011 Welded eye Ø 8mm	92011 Welded eye Ø 8mm	
81 857 05	Skoda	8	18	440	177	600	92076 M6x1,0 plastic ball head Ø 10mm	92076 M6x1,0 plastic ball head Ø 10mm	
80 372 00	Hyundai	8	18	442	161	300	Plastic ball head	Plastic ball head	New 2009
81 729 15	Renault	8	18	442	171	480	92076 M6x1,0 plastic ball head Ø 10mm	92076 M6x1,0 plastic ball head Ø 10mm	
81 925 69	Toyota	8	18	443	171	455	Plastic ball head	Plastic ball head	New 2009
81 261 07	Fiat	8	18	444	180	300	92076 M6x1,0 plastic ball head Ø 10mm	92076 M6x1,0 plastic ball head Ø 10mm	
81 860 03	Smart	8	18	444	185	95	Plastic ball head	Plastic ball head	New 2009
81 156 30	Citroen	8	18	445	165	420	92076 M6x1,0 plastic ball head Ø 10mm	92076 M6x1,0 plastic ball head Ø 10mm	
81 275 39	Ford	8	18	445	180	310	92077 M6x1,0 plastic ball head Ø 10mm (10')	92077 M6x1,0 plastic ball head Ø 10mm (10')	
81 667 33	Peugeot	8	18	445	180	250	Plastic ball head	Plastic ball head	New 2009
81 729 38	Renault	8	18	445	192	450	Plastic ball head	Plastic ball head	New 2009
81 177 02	Daewoo	8	18	447	172	520	92076 M6x1,0 plastic ball head Ø 10mm	92076 M6x1,0 plastic ball head Ø 10mm	
81 925 58	Toyota	8	18	447	183	550	Special	92078 M6x1,0 plastic ball head Ø 10mm	
80 372 01	Hyundai	8	18	447	189	300	Plastic ball head	Plastic ball head	New 2009
80 372 02	Hyundai	8	18	447	189	300	Plastic ball head	Plastic ball head	New 2009
81 667 38	Peugeot	8	18	449	185	590	Plastic ball head	Plastic ball head	New 2009
81 372 06	Hyundai	8	18	450	167	422	92076 M6x1,0 plastic ball head Ø 10mm	Special	
81 372 05	Hyundai	8	18	450	171	363	92076 M6x1,0 plastic ball head Ø 10mm	Special	
81 729 36	Renault	8	18	450	180	385	Plastic ball head	Plastic ball head	New 2009
80 568 03	Mercedes	8	18	450	182	490	92076 M6x1,0 plastic ball head Ø 10mm	92076 M6x1,0 plastic ball head Ø 10mm	
81 421 01	Jeep	8	18	451	183	155	Plastic ball head	Plastic ball head	New 2009
81 372 21	Hyundai	10	22	453	177	655	Plastic ball head	Plastic ball head	New 2009
81 950 56	Volkswagen	8	18	453	181	550	Plastic ball head	Plastic ball head	New 2009
81 729 08	Renault	10	22	454	165	740	92076 M6x1,0 plastic ball head Ø 10mm	92076 M6x1,0 plastic ball head Ø 10mm	
81 667 30	Peugeot	8	18	454	181	395	92078 M6x1,0 plastic ball head Ø 10mm	92078 M6x1,0 plastic ball head Ø 10mm	
80 275 02	Ford	8	18	454	186	350	92078 M6x1,0 plastic ball head Ø 10mm	92076 M6x1,0 plastic ball head Ø 10mm	
80 829 02	Seat	8	18	454	186	350	92078 M6x1,0 plastic ball head Ø 10mm	92076 M6x1,0 plastic ball head Ø 10mm	
80 950 09	Volkswagen	8	18	454	186	350	92078 M6x1,0 plastic ball head Ø 10mm	92076 M6x1,0 plastic ball head Ø 10mm	
81 925 34	Toyota	8	18	454	190	600	92078 M6x1,0 plastic ball head Ø 10mm	92078 M6x1,0 plastic ball head Ø 10mm	
81 275 57	Ford	8	18	455	127	700	92076 M6x1,0 plastic ball head Ø 10mm	92076 M6x1,0 plastic ball head Ø 10mm	
81 261 36	Fiat	8	18	455	165	380	Plastic ball head	Plastic ball head	New 2009
81 470 00	Lada	10	22	455	185	300	93035 M6x1,0 ball head Ø 10mm incl. Ball bolt	93035 M6x1,0 ball head Ø 10mm incl. Ball bolt	
81 592 03	Mitsubishi	8	18	457	182	180	Special	Special	
81 667 48	Peugeot	8	18	457	185	410	Plastic ball head	Plastic ball head	New 2009
80 568 02	Mercedes	8	18	457	190	544	92078 M6x1,0 plastic ball head Ø 10mm	92078 M6x1,0 plastic ball head Ø 10mm	
81 142 00	Chevrolet	8	18	457	190	544	92078 M6x1,0 plastic ball head Ø 10mm	92078 M6x1,0 plastic ball head Ø 10mm	New 2009
81 177 03	Daewoo	8	18	457	190	544	92078 M6x1,0 plastic ball head Ø 10mm	92078 M6x1,0 plastic ball head Ø 10mm	New 2009
81 156 33	Citroen	8	18	458	190	380	92076 M6x1,0 plastic ball head Ø 10mm	92076 M6x1,0 plastic ball head Ø 10mm	
80 156 01	Citroen	8	18	460	171	300	92076 M6x1,0 plastic ball head Ø 10mm	92076 M6x1,0 plastic ball head Ø 10mm	
81 950 51	Volkswagen	8	18	464	185	360	Plastic ball head	Plastic ball head	New 2009
81 275 47	Ford	8	18	465	149	655	92076 M6x1,0 plastic ball head Ø 10mm	92076 M6x1,0 plastic ball head Ø 10mm	

Lesjöfors	Application	Rod Ø	Cyl Ø	Extended length	Stroke	Force (N)	Piston Rod, end fitting Drawing reference (see page 70-72)		Cylinder, end fitting Drawing reference (see page 70-72)		Info
81 925 46	Toyota	8	18	465	173	440	92019	M6x1,0 ball head Ø 10mm	92077	M6x1,0 plastic ball head Ø 10mm (10°)	
80 042 06	Audi	8	18	465	194	320	92011	Welded eye Ø 8mm	92011	Welded eye Ø 8mm	
81 958 14	Volvo	8	18	465	200	300	92066	M6x1,0 hook	92010	Welded eye Ø 6,1mm	
81 958 15	Volvo	8	18	465	200	335	92066	M6x1,0 hook	92010	Welded eye Ø 6,1mm	
81 042 37	Audi	8	19	467	165	230		Plastic ball head		Plastic ball head	New 2009
81 729 21	Renault	8	18	467	200	425	92078	M6x1,0 plastic ball head Ø 10mm	92078	M6x1,0 plastic ball head Ø 10mm	
81 592 25	Mitsubishi	12,5	27,4	468	180	610		Ball head		Special	New 2009
81 634 32	Opel	8	18	468	190	560	92076	M6x1,0 plastic ball head Ø 10mm	92076	M6x1,0 plastic ball head Ø 10mm	
81 946 22	Vauxhall	8	18	468	190	560	92076	M6x1,0 plastic ball head Ø 10mm	92076	M6x1,0 plastic ball head Ø 10mm	
81 958 27	Volvo	8	18	468	193	380	92078	M6x1,0 plastic ball head Ø 10mm	92076	M6x1,0 plastic ball head Ø 10mm	
81 261 23	Fiat	8	18	468	200	320	92076	M6x1,0 plastic ball head Ø 10mm	92076	M6x1,0 plastic ball head Ø 10mm	
81 421 02	Jeep	10	22	469	136	838		Special		Special	New 2009
81 620 22	Nissan	10	22	470	161	517		Special		Special	
81 620 23	Nissan	10	22	470	161	517		Special		Special	
81 620 37	Nissan	8	18	470	183	590		Special	92076	M6x1,0 plastic ball head Ø 10mm	
81 592 04	Mitsubishi	8	18	470	184	206		Special		Special	
81 592 06	Mitsubishi	8	18	470	184	206		Special		Special	
81 007 22	Alfa Romeo	8	18	470	200	350	92076	M6x1,0 plastic ball head Ø 10mm	92076	M6x1,0 plastic ball head Ø 10mm	New 2009
81 634 29	Opel	8	18	470	200	530	92076	M6x1,0 plastic ball head Ø 10mm	92076	M6x1,0 plastic ball head Ø 10mm	
81 634 43	Opel	8	18	470	200	350	92076	M6x1,0 plastic ball head Ø 10mm	92076	M6x1,0 plastic ball head Ø 10mm	
81 946 12	Vauxhall	8	18	470	200	530	92076	M6x1,0 plastic ball head Ø 10mm	92076	M6x1,0 plastic ball head Ø 10mm	
81 946 43	Vauxhall	8	18	470	200	350	92076	M6x1,0 plastic ball head Ø 10mm	92076	M6x1,0 plastic ball head Ø 10mm	
81 958 01	Volvo	10	22	470	202	700	92020	M8x1,0 ball head Ø 13mm	92011	Welded eye Ø 8mm	
81 156 49	Citroen	8	19	472	178	540		Plastic ball head		Special	New 2009
81 592 20	Mitsubishi	8	19	472	178	540		Plastic ball head		Special	New 2009
81 592 21	Mitsubishi	8	19	472	178	540		Plastic ball head		Special	New 2009
81 592 23	Mitsubishi	8	19	472	178	540		Plastic ball head		Special	New 2009
81 667 36	Peugeot	8	19	472	178	540		Plastic ball head		Special	New 2009
81 261 26	Fiat	8	18	472	188	330	92076	M6x1,0 plastic ball head Ø 10mm	92076	M6x1,0 plastic ball head Ø 10mm	
81 634 51	Opel	8	18	472	210	680	92076	M6x1,0 plastic ball head Ø 10mm	92076	M6x1,0 plastic ball head Ø 10mm	
81 177 00	Daewoo	10	22	473	183	410	92078	M6x1,0 plastic ball head Ø 10mm	92077	M6x1,0 plastic ball head Ø 10mm (10°)	
81 261 40	Fiat	8	18	473	186	480		Plastic ball head		Plastic ball head	New 2009
81 484 03	Lancia	8	18	473	186	480		Plastic ball head		Plastic ball head	New 2009
81 634 53	Opel	8	18	473	196	570	92076	M6x1,0 plastic ball head Ø 10mm	92076	M6x1,0 plastic ball head Ø 10mm	
81 925 59	Toyota	12,5	22	474	186	400		Special		Ball head	New 2009
81 925 60	Toyota	12,5	22	474	186	400		Plastic ball head		Plastic ball head	New 2009
81 042 28	Audi	8	18	474	190	490	92078	M6x1,0 plastic ball head Ø 10mm	92078	M6x1,0 plastic ball head Ø 10mm	
81 958 04	Volvo	10	22	475	202	700	92020	M8x1,0 ball head Ø 13mm	92017	M8x1,0 eye Ø 9,2mm	
81 729 14	Renault	8	18	476	171	625	92076	M6x1,0 plastic ball head Ø 10mm	92076	M6x1,0 plastic ball head Ø 10mm	
81 634 30	Opel	8	18	476	200	560	92076	M6x1,0 plastic ball head Ø 10mm	92076	M6x1,0 plastic ball head Ø 10mm	
81 946 13	Vauxhall	8	18	476	200	560	92076	M6x1,0 plastic ball head Ø 10mm	92076	M6x1,0 plastic ball head Ø 10mm	
81 950 53	Volkswagen	8	18	478	190	550		Plastic ball head		Plastic ball head	New 2009
81 634 67	Opel/Vauxhall	8	18	479	193	340		Plastic ball head		Plastic ball head	New 2009
81 442 11	Kia	8	18	479	195	335		Special		Plastic ball head	New 2009
81 442 12	Kia	8	18	479	195	335		Special		Plastic ball head	New 2009
81 620 29	Nissan	6	15	480	162	93	92076	M6x1,0 plastic ball head Ø 10mm	92076	M6x1,0 plastic ball head Ø 10mm	
81 757 17	Land Rover	8	18	480	185	480		Plastic ball head		Plastic ball head	New 2009
81 729 06	Renault	8	18	480	200	390	92076	M6x1,0 plastic ball head Ø 10mm	92076	M6x1,0 plastic ball head Ø 10mm	
81 442 21	Kia	8	18	481	184	135		Plastic ball head		Plastic ball head	New 2009
81 958 30	Volvo	8	18	482	186	360		Plastic ball head		Plastic ball head	New 2009
81 634 55	Opel/Vauxhall	10	22	482	194	700	92076	M6x1,0 plastic ball head Ø 10mm	92076	M6x1,0 plastic ball head Ø 10mm	New 2009
81 275 27	Ford	8	18	483	171	640	92076	M6x1,0 plastic ball head Ø 10mm	92076	M6x1,0 plastic ball head Ø 10mm	
81 620 24	Nissan	8	18	483	183	351		Special		Special	
81 620 27	Nissan	8	18	483	183	351		Special		Special	
81 372 17	Hyundai	8	18	483	191	370		Plastic ball head		Plastic ball head	New 2009
81 275 59	Ford	8	18	483	199	530	92076	M6x1,0 plastic ball head Ø 10mm	92076	M6x1,0 plastic ball head Ø 10mm	
81 484 02	Lancia	8	18	484	196	320		Plastic ball head		Plastic ball head	New 2009
81 568 01	Mercedes	8	18	485	195	450	92078	M6x1,0 plastic ball head Ø 10mm	92078	M6x1,0 plastic ball head Ø 10mm	
81 156 10	Citroen	8	18	485	200	600	92027	Threaded pin	92015	M8x1,0 eye Ø 8,2mm	
81 275 37	Ford	8	18	485	200	470	92076	M6x1,0 plastic ball head Ø 10mm	92076	M6x1,0 plastic ball head Ø 10mm	
81 275 38	Ford	8	18	485	200	460	92076	M6x1,0 plastic ball head Ø 10mm	92076	M6x1,0 plastic ball head Ø 10mm	
81 895 02	Talbot	8	18	485	200	600	92027	Threaded pin	92015	M8x1,0 eye Ø 8,2mm	
81 925 57	Toyota	8	18	486	199	565		Special		Special	
81 958 05	Volvo	10	22	489	202	400	92020	M8x1,0 ball head Ø 13mm	92011	Welded eye Ø 8mm	
81 142 01	Chevrolet	8	18	490	191	510		Plastic ball head		Plastic ball head	New 2009
81 177 04	Daewoo	8	18	490	191	510		Plastic ball head		Plastic ball head	New 2009
81 042 31	Audi	8	18	490	199	660	92076	M6x1,0 plastic ball head Ø 10mm	92077	M6x1,0 plastic ball head Ø 10mm (10°)	
81 275 34	Ford	8	18	490	200	460	92076	M6x1,0 plastic ball head Ø 10mm	92076	M6x1,0 plastic ball head Ø 10mm	
81 275 35	Ford	8	18	490	200	510	92076	M6x1,0 plastic ball head Ø 10mm	92076	M6x1,0 plastic ball head Ø 10mm	
81 275 36	Ford	10	22	490	200	750	92076	M6x1,0 plastic ball head Ø 10mm	92076	M6x1,0 plastic ball head Ø 10mm	
81 442 13	Kia	8	18	490	200	380		Plastic ball head		Plastic ball head	New 2009

Lesjöfors	Application	Rod Ø	Cyl Ø	Extended length	Stroke	Force (N)	Piston Rod, end fitting Drawing reference (see page 70–72)		Cylinder, end fitting Drawing reference (see page 70–72)		Info
81 667 17	Peugeot	8	18	490	200	233	92076	M6x1,0 plastic ball head Ø 10mm	92076	M6x1,0 plastic ball head Ø 10mm	
81 729 13	Renault	8	18	490	200	630	92076	M6x1,0 plastic ball head Ø 10mm	92076	M6x1,0 plastic ball head Ø 10mm	
81 778 08	Saab	10	22	490	200	610	92076	M6x1,0 plastic ball head Ø 10mm	92076	M6x1,0 plastic ball head Ø 10mm	
81 778 09	Saab	10	22	490	200	660	92076	M6x1,0 plastic ball head Ø 10mm	92076	M6x1,0 plastic ball head Ø 10mm	
81 587 00	Mini	8	18	490	207	330	92077	M6x1,0 plastic ball head Ø 10mm (10')	92077	M6x1,0 plastic ball head Ø 10mm (10')	
81 042 33	Audi	8	18	491	199	540	92078	M6x1,0 plastic ball head Ø 10mm	92078	M6x1,0 plastic ball head Ø 10mm	
81 667 31	Peugeot	8	18	492	190	600	92076	M6x1,0 plastic ball head Ø 10mm	92076	M6x1,0 plastic ball head Ø 10mm	
81 857 06	Skoda	8	18	492	196	440		Plastic ball head		Plastic ball head	New 2009
81 857 09	Skoda	8	18	492	205	480		Plastic ball head		Plastic ball head	New 2009
81 156 48	Citroen	8	18	493	198	420		Plastic ball head		Special	New 2009
81 592 22	Mitsubishi	8	18	493	198	420		Plastic ball head		Special	New 2009
81 667 35	Peugeot	8	18	493	198	420		Plastic ball head		Special	New 2009
81 857 03	Skoda	8	18	493	200	500	92077	M6x1,0 plastic ball head Ø 10mm (10')	92076	M6x1,0 plastic ball head Ø 10mm	
81 554 08	Mazda	10	22	495	185	650	93035	M6x1,0 ball head Ø 10mm incl. Ball bolt	93000	Special	
81 554 09	Mazda	10	22	495	185	650	93035	M6x1,0 ball head Ø 10mm incl. Ball bolt	93001	Special	
81 925 47	Toyota	12,5	22	495	186	498		Special	92019	M6x1,0 ball head Ø 10mm	
81 925 48	Toyota	12,5	22	495	186	498		Special	92019	M6x1,0 ball head Ø 10mm	
81 592 16	Mitsubishi	10	22	495	195	415		Special		Special	
81 592 18	Mitsubishi	10	22	495	195	415		Special		Special	
81 587 01	Mini	8	18	495	203	370		Plastic ball head		Plastic ball head	New 2009
81 156 40	Citroen	8	18	495	210	585		Plastic ball head		Plastic ball head	New 2009
81 757 10	Rover	8	18	495	210	225	92076	M6x1,0 plastic ball head Ø 10mm	92076	M6x1,0 plastic ball head Ø 10mm	
81 925 49	Toyota	8	18	495	210	570	92078	M6x1,0 plastic ball head Ø 10mm	92078	M6x1,0 plastic ball head Ø 10mm	
81 958 22	Volvo	8	18	495	210	320	92066	M6x1,0 hook	92076	M6x1,0 plastic ball head Ø 10mm	
81 958 23	Volvo	8	18	495	210	340	92066	M6x1,0 hook	92076	M6x1,0 plastic ball head Ø 10mm	
81 177 01	Daewoo	8	18	496	200	252	92076	M6x1,0 plastic ball head Ø 10mm	92076	M6x1,0 plastic ball head Ø 10mm	
81 889 02	Suzuki	10	22	497	196	385		Special		Special	
81 889 03	Suzuki	10	22	497	196	385		Special		Special	
81 950 02	Volkswagen	8	18	497	214	470	92011	Welded eye Ø 8mm	92011	Welded eye Ø 8mm	
81 634 62	Opel/Vauxhall	8	18	498	160	150		Plastic ball head		Plastic ball head	New 2009
81 667 32	Peugeot	8	18	498	180	345	92078	M6x1,0 plastic ball head Ø 10mm	92078	M6x1,0 plastic ball head Ø 10mm	
81 568 10	Mercedes	8	18	498	200	430		Plastic ball head		Plastic ball head	New 2009
81 925 32	Toyota	8	18	498	230	540		Special		Special	
81 925 33	Toyota	8	18	498	230	540		Special		Special	
81 275 31	Ford	8	18	500	190	635	92076	M6x1,0 plastic ball head Ø 10mm	92076	M6x1,0 plastic ball head Ø 10mm	
81 554 32	Mazda	10	22	500	193	404		Special		Special	
81 554 33	Mazda	10	22	500	193	404		Special		Special	
81 620 38	Nissan	8	18	500	199	360	92076	M6x1,0 plastic ball head Ø 10mm	92076	M6x1,0 plastic ball head Ø 10mm	
80 950 03	Volkswagen	8	18	500	200	190	92078	M6x1,0 plastic ball head Ø 10mm	92077	M6x1,0 plastic ball head Ø 10mm (10')	
81 042 19	Audi	10	22	500	200	690	92076	M6x1,0 plastic ball head Ø 10mm	92076	M6x1,0 plastic ball head Ø 10mm	
81 275 32	Ford	10	22	500	200	780	92076	M6x1,0 plastic ball head Ø 10mm	92076	M6x1,0 plastic ball head Ø 10mm	
81 729 05	Renault	8	18	500	200	400	92076	M6x1,0 plastic ball head Ø 10mm	92076	M6x1,0 plastic ball head Ø 10mm	
81 729 12	Renault	8	18	500	200	510	92076	M6x1,0 plastic ball head Ø 10mm	92076	M6x1,0 plastic ball head Ø 10mm	
81 950 03	Volkswagen	8	18	500	200	270	92076	M6x1,0 plastic ball head Ø 10mm	92011	Welded eye Ø 8mm	
81 778 00	Saab	10	22	500	201	600	92011	Welded eye Ø 8mm	92011	Welded eye Ø 8mm	
81 778 01	Saab	10	22	500	201	650	92011	Welded eye Ø 8mm	92011	Welded eye Ø 8mm	
80 946 00	Vauxhall	8	18	500	202	360	92011	Welded eye Ø 8mm	92011	Welded eye Ø 8mm	
81 084 00	BMW	8	18	500	202	320	92011	Welded eye Ø 8mm	92011	Welded eye Ø 8mm	
81 084 08	BMW	8	18	500	202	150	92011	Welded eye Ø 8mm	92011	Welded eye Ø 8mm	
81 261 04	Fiat	8	18	500	202	470	92076	M6x1,0 Plastic ball head Ø 10mm	92076	M6x1,0 Plastic ball head Ø 10mm	
81 950 20	Volkswagen	8	18	500	202	380	92071	Welded eye Ø 6mm	92076	M6x1,0 plastic ball head Ø 10mm	
81 950 21	Volkswagen	8	18	500	202	460	92071	Welded eye Ø 6mm	92025	M6x1,0 ball head Ø 8mm	
81 950 28	Volkswagen	8	18	500	202	300	92011	Welded eye Ø 8mm	92011	Welded eye Ø 8mm	
81 925 55	Toyota	8	18	500	203	245	92078	M6x1,0 plastic ball head Ø 10mm	92076	M6x1,0 plastic ball head Ø 10mm	
81 925 56	Toyota	8	18	500	203	245	92078	M6x1,0 plastic ball head Ø 10mm	92076	M6x1,0 plastic ball head Ø 10mm	
81 042 27	Audi	8	18	500	207	530	92078	M6x1,0 plastic ball head Ø 10mm	92078	M6x1,0 plastic ball head Ø 10mm	
81 950 44	Volkswagen	8	18	500	208	500	92078	M6x1,0 plastic ball head Ø 10mm	92077	M6x1,0 plastic ball head Ø 10mm (10')	
80 950 08	Volkswagen	8	18	500	209	310	92078	M6x1,0 plastic ball head Ø 10mm	92077	M6x1,0 plastic ball head Ø 10mm (10')	
81 950 48	Volkswagen	8	18	500	209	380	92078	M6x1,0 plastic ball head Ø 10mm	92077	M6x1,0 plastic ball head Ø 10mm (10')	
80 950 10	Volkswagen	8	18	500	210	350		Plastic ball head		Plastic ball head	New 2009
81 042 15	Audi	8	18	500	210	420	92078	M6x1,0 plastic ball head Ø 10mm	92077	M6x1,0 plastic ball head Ø 10mm (10')	
81 829 06	Seat	8	18	500	210	480	92078	M6x1,0 plastic ball head Ø 10mm	92078	M6x1,0 plastic ball head Ø 10mm	
81 829 08	Seat	8	18	500	210	450	92078	M6x1,0 plastic ball head Ø 10mm	92077	M6x1,0 plastic ball head Ø 10mm (10')	
81 829 14	Seat	8	18	500	210	420		Plastic ball head		Plastic ball head	New 2009
81 829 16	Seat	8	18	500	210	340		Plastic ball head		Plastic ball head	New 2009
81 950 04	Volkswagen	8	18	500	210	270	92077	M6x1,0 plastic ball head Ø 10mm (10')	92077	M6x1,0 plastic ball head Ø 10mm (10')	
81 950 05	Volkswagen	8	18	500	210	330	92076	M6x1,0 plastic ball head Ø 10mm	92077	M6x1,0 plastic ball head Ø 10mm (10')	
81 950 43	Volkswagen	8	18	500	210	480	92078	M6x1,0 plastic ball head Ø 10mm	92078	M6x1,0 plastic ball head Ø 10mm	
81 829 13	Seat	8	18	500	212	470	92078	M6x1,0 plastic ball head Ø 10mm	92076	M6x1,0 plastic ball head Ø 10mm	
80 084 04	BMW	8	18	500	214	230	92011	Welded eye Ø 8mm	92011	Welded eye Ø 8mm	
81 950 00	Volkswagen	8	18	500	214	230	92011	Welded eye Ø 8mm	92076	M6x1,0 plastic ball head Ø 10mm	

Lesjöfors	Application	Rod Ø	Cyl Ø	Extended length	Stroke	Force (N)	Piston Rod, end fitting Drawing reference (see page 70-72)		Cylinder, end fitting Drawing reference (see page 70-72)		Info
81 757 00	Rover	10	22	501	200	530	92013	M6x1,0 eye Ø 10,1mm	92013	M6x1,0 eye Ø 10,1mm	
81 950 33	Volkswagen	8	18	501	210	500	92078	M6x1,0 plastic ball head Ø 10mm	92077	M6x1,0 plastic ball head Ø 10mm (10°)	
81 357 22	Honda	8	18	502	204	400	92076	M6x1,0 plastic ball head Ø 10mm	92076	M6x1,0 plastic ball head Ø 10mm	
80 829 00	Seat	8	18	502	210	280	92078	M6x1,0 plastic ball head Ø 10mm	92077	M6x1,0 plastic ball head Ø 10mm (10°)	
80 950 02	Volkswagen	8	18	502	210	280	92078	M6x1,0 plastic ball head Ø 10mm	92077	M6x1,0 plastic ball head Ø 10mm (10°)	
81 950 39	Volkswagen	8	18	502	210	500	92078	M6x1,0 plastic ball head Ø 10mm	92077	M6x1,0 plastic ball head Ø 10mm (10°)	
81 950 41	Volkswagen	8	18	502	210	365	92078	M6x1,0 plastic ball head Ø 10mm	92077	M6x1,0 plastic ball head Ø 10mm (10°)	
81 729 23	Renault	8	18	502	211	490	92076	M6x1,0 plastic ball head Ø 10mm	92076	M6x1,0 plastic ball head Ø 10mm	
81 592 17	Mitsubishi	12,5	22	503	183	580		Special		Special	
81 592 19	Mitsubishi	12,5	22	503	183	580		Special		Special	
81 261 39	Fiat	8	18	503	209	280		Plastic ball head		Plastic ball head	New 2009
81 667 44	Peugeot	8	18	503	210	335		Plastic ball head		Plastic ball head	New 2009
80 042 10	Audi	8	18	504	210	350	92078	M6x1,0 plastic ball head Ø 10mm	92077	M6x1,0 plastic ball head Ø 10mm (10°)	
80 950 14	Volkswagen	8	18	504	210	350	92078	M6x1,0 plastic ball head Ø 10mm	92077	M6x1,0 plastic ball head Ø 10mm (10°)	New 2009
81 829 05	Seat	8	18	504	210	350	92078	M6x1,0 plastic ball head Ø 10mm	92077	M6x1,0 plastic ball head Ø 10mm (10°)	
81 950 40	Volkswagen	8	18	504	210	350	92078	M6x1,0 plastic ball head Ø 10mm	92077	M6x1,0 plastic ball head Ø 10mm (10°)	
81 829 02	Seat	8	18	505	200	500	92076	M6x1,0 plastic ball head Ø 10mm	92076	M6x1,0 plastic ball head Ø 10mm	
80 414 00	Jaguar	8	18	505	203	210	92013	M6x1,0 eye Ø 10,1mm	92013	M6x1,0 eye Ø 10,1mm	
80 261 00	Fiat	8	18	505	205	250	92076	M6x1,0 plastic ball head Ø 10mm	92076	M6x1,0 plastic ball head Ø 10mm	
81 261 32	Fiat	8	18	505	205	380	92076	M6x1,0 plastic ball head Ø 10mm	92076	M6x1,0 plastic ball head Ø 10mm	
81 634 64	Opel/Vauxhall	10	22	505	210	610		Plastic ball head		Plastic ball head	New 2009
81 261 29	Fiat	8	18	505	213	520	92076	M6x1,0 plastic ball head Ø 10mm	92078	M6x1,0 plastic ball head Ø 10mm	
81 261 25	Fiat	8	18	505	220	420	92076	M6x1,0 plastic ball head Ø 10mm	92076	M6x1,0 plastic ball head Ø 10mm	
81 950 47	Volkswagen	8	18	506	166	770	92076	M6x1,0 plastic ball head Ø 10mm	92077	M6x1,0 plastic ball head Ø 10mm (10°)	
81 634 27	Opel	8	18	506	200	620	92077	M6x1,0 plastic ball head Ø 10mm (10°)	92077	M6x1,0 plastic ball head Ø 10mm (10°)	
81 946 21	Vauxhall	8	18	506	200	620	92077	M6x1,0 plastic ball head Ø 10mm (10°)	92077	M6x1,0 plastic ball head Ø 10mm (10°)	
80 156 03	Citroen	8	18	506	214	145	92078	M6x1,0 plastic ball head Ø 10mm	92078	M6x1,0 plastic ball head Ø 10mm	
81 191 00	Daihatsu	12,5	22	507	120	528	92019	M6x1,0 ball head Ø 10mm		Special	
81 191 02	Daihatsu	12,5	22	507	120	528	92019	M6x1,0 ball head Ø 10mm		Special	
81 925 50	Toyota	8	18	507	182	545	92078	M6x1,0 plastic ball head Ø 10mm	92078	M6x1,0 plastic ball head Ø 10mm	
81 421 03	Jeep	8	18	507	205	585		Plastic ball head		Plastic ball head	New 2009
81 757 08	Rover	8	18	507	210	436	92076	M6x1,0 plastic ball head Ø 10mm	92076	M6x1,0 plastic ball head Ø 10mm	
81 950 17	Volkswagen	8	18	507	210	560	92077	M6x1,0 plastic ball head Ø 10mm (10°)	92076	M6x1,0 plastic ball head Ø 10mm	
81 634 65	Opel/Vauxhall	8	18	508	195	420		Plastic ball head		Special	New 2009
81 634 66	Opel/Vauxhall	8	18	508	195	420		Plastic ball head		Special	New 2009
81 554 22	Mazda	10	22	510	190	490	92076	M6x1,0 plastic ball head Ø 10mm	92076	M6x1,0 plastic ball head Ø 10mm	
81 634 04	Opel	8	18	510	200	550	92077	M6x1,0 plastic ball head Ø 10mm (10°)	92077	M6x1,0 plastic ball head Ø 10mm (10°)	
81 634 05	Opel	8	18	510	200	600	92077	M6x1,0 plastic ball head Ø 10mm (10°)	92077	M6x1,0 plastic ball head Ø 10mm (10°)	
81 946 07	Vauxhall	8	18	510	200	550	92077	M6x1,0 plastic ball head Ø 10mm (10°)	92077	M6x1,0 plastic ball head Ø 10mm (10°)	
81 946 29	Vauxhall	8	18	510	200	600	92077	M6x1,0 plastic ball head Ø 10mm (10°)	92077	M6x1,0 plastic ball head Ø 10mm (10°)	
81 568 05	Mercedes	8	18	510	208	470	92019	M6x1,0 ball head Ø 10mm	92076	M6x1,0 plastic ball head Ø 10mm	
80 958 03	Volvo	8	18	510	209	320	92076	M6x1,0 plastic ball head Ø 10mm	92076	M6x1,0 plastic ball head Ø 10mm	
81 634 00	Opel	8	18	510	210	350	92077	M6x1,0 plastic ball head Ø 10mm (10°)	92076	M6x1,0 plastic ball head Ø 10mm	
81 634 01	Opel	8	18	510	210	390	92077	M6x1,0 plastic ball head Ø 10mm (10°)	92076	M6x1,0 plastic ball head Ø 10mm	
81 634 02	Opel	8	18	510	210	440	92077	M6x1,0 plastic ball head Ø 10mm (10°)	92076	M6x1,0 plastic ball head Ø 10mm	
81 634 25	Opel	8	18	510	210	530	92077	M6x1,0 plastic ball head Ø 10mm (10°)	92077	M6x1,0 plastic ball head Ø 10mm (10°)	
81 946 10	Vauxhall	8	18	510	210	530	92077	M6x1,0 plastic ball head Ø 10mm (10°)	92077	M6x1,0 plastic ball head Ø 10mm (10°)	
81 946 11	Vauxhall	8	18	510	210	390	92077	M6x1,0 plastic ball head Ø 10mm (10°)	92076	M6x1,0 plastic ball head Ø 10mm	
81 946 24	Vauxhall	8	18	510	210	350	92077	M6x1,0 plastic ball head Ø 10mm (10°)	92076	M6x1,0 plastic ball head Ø 10mm	
81 946 25	Vauxhall	8	18	510	210	440	92077	M6x1,0 plastic ball head Ø 10mm (10°)	92076	M6x1,0 plastic ball head Ø 10mm	
80 757 00	Rover	8	18	510	220	350	92076	M6x1,0 plastic ball head Ø 10mm	92076	M6x1,0 plastic ball head Ø 10mm	
81 156 32	Citroen	8	18	510	223	490	92078	M6x1,0 plastic ball head Ø 10mm	92078	M6x1,0 plastic ball head Ø 10mm	
81 667 47	Peugeot	8	20	510	223	490	92078	M6x1,0 plastic ball head Ø 10mm	92078	M6x1,0 plastic ball head Ø 10mm	New 2009
81 042 25	Audi	8	18	512	208	370	92076	M6x1,0 plastic ball head Ø 10mm	92076	M6x1,0 plastic ball head Ø 10mm	
81 275 48	Ford	8	18	512	220	550	92076	M6x1,0 plastic ball head Ø 10mm	92076	M6x1,0 plastic ball head Ø 10mm	
81 950 29	Volkswagen	8	18	513	210	540	92076	M6x1,0 plastic ball head Ø 10mm	92011	Welded eye Ø 8mm	
81 729 26	Renault	8	18	513	216	535	92078	M6x1,0 plastic ball head Ø 10mm	92078	M6x1,0 plastic ball head Ø 10mm	
81 729 28	Renault	8	18	513	218	585	92078	M6x1,0 plastic ball head Ø 10mm	92078	M6x1,0 plastic ball head Ø 10mm	
81 442 09	Kia	8	18	514	215	490		Plastic ball head		Plastic ball head	New 2009
81 372 22	Hyundai	8	18	515	200	585		Plastic ball head		Plastic ball head	New 2009
81 585 06	MG	8	18	515	207	445	92078	M6x1,0 plastic ball head Ø 10mm	92078	M6x1,0 plastic ball head Ø 10mm	New 2009
81 757 15	Rover	8	18	515	207	445	92078	M6x1,0 plastic ball head Ø 10mm	92078	M6x1,0 plastic ball head Ø 10mm	
80 634 00	Opel	8	18	515	210	240	92076	M6x1,0 plastic ball head Ø 10mm	93032	Special	
80 946 01	Vauxhall	8	18	515	210	240	92076	M6x1,0 plastic ball head Ø 10mm	93032	Special	
81 357 12	Honda	8	18	515	210	490	92078	M6x1,0 plastic ball head Ø 10mm	92078	M6x1,0 plastic ball head Ø 10mm	
81 634 24	Opel	8	18	515	210	480	92077	M6x1,0 plastic ball head Ø 10mm (10°)	92077	M6x1,0 plastic ball head Ø 10mm (10°)	
81 946 30	Vauxhall	8	18	515	210	480	92077	M6x1,0 plastic ball head Ø 10mm (10°)	92077	M6x1,0 plastic ball head Ø 10mm (10°)	
81 950 12	Volkswagen	8	18	515	220	500	92018	M6x1,0 ball head Ø 10mm	92018	M6x1,0 ball head Ø 10mm	
81 950 15	Volkswagen	8	18	515	220	550	92076	M6x1,0 plastic ball head Ø 10mm	92011	Welded eye Ø 8mm	
81 950 22	Volkswagen	8	18	515	220	600	92076	M6x1,0 plastic ball head Ø 10mm	92011	Welded eye Ø 8mm	
81 757 18	Land Rover	8	18	515	281	580		Plastic ball head		Plastic ball head	New 2009

Lesjöfors	Application	Rod Ø	Cyl Ø	Extended length	Stroke	Force (N)	Piston Rod, end fitting Drawing reference (see page 70–72)	Cylinder, end fitting Drawing reference (see page 70–72)	Info
81 925 61	Toyota	8	18	516	205	295	Plastic ball head	Plastic ball head	New 2009
81 729 34	Renault	10	22	517	183	630	92076 M6x1,0 plastic ball head Ø 10mm	92076 M6x1,0 plastic ball head Ø 10mm	
81 592 13	Mitsubishi	10	22	517	192	476	Special	Special	
81 592 14	Mitsubishi	10	22	517	192	476	Special	Special	
81 261 34	Fiat	8	18	517	220	570	92078 M6x1,0 plastic ball head Ø 10mm	92078 M6x1,0 plastic ball head Ø 10mm	
81 084 09	BMW	10	22	518	200	380	92078 M6x1,0 plastic ball head Ø 10mm	92078 M6x1,0 plastic ball head Ø 10mm	
81 372 07	Hyundai	10	22	518	206	397	92076 M6x1,0 plastic ball head Ø 10mm	92076 M6x1,0 plastic ball head Ø 10mm	
81 729 33	Renault	8	18	519	183	590	92076 M6x1,0 plastic ball head Ø 10mm	92076 M6x1,0 plastic ball head Ø 10mm	
81 261 22	Fiat	8	18	520	200	360	92076 M6x1,0 plastic ball head Ø 10mm	92076 M6x1,0 plastic ball head Ø 10mm	
81 620 16	Nissan	10	22	520	200	730	93035 M6x1,0 ball head Ø 10mm incl. Ball bolt	93035 M6x1,0 ball head Ø 10mm incl. Ball bolt	
81 620 25	Nissan	8	18	520	218	530	92078 M6x1,0 plastic ball head Ø 10mm	92078 M6x1,0 plastic ball head Ø 10mm	
81 620 26	Nissan	8	18	520	218	530	92078 M6x1,0 plastic ball head Ø 10mm	92078 M6x1,0 plastic ball head Ø 10mm	
81 729 41	Renault	8	18	520	218	105	Plastic ball head	Plastic ball head	New 2009
81 667 22	Peugeot	8	18	520	220	304	92078 M6x1,0 plastic ball head Ø 10mm	92078 M6x1,0 plastic ball head Ø 10mm	
81 950 14	Volkswagen	8	18	520	220	550	92076 M6x1,0 plastic ball head Ø 10mm	92011 Welded eye Ø 8mm	
81 950 16	Volkswagen	8	18	520	220	550	92076 M6x1,0 plastic ball head Ø 10mm	92076 M6x1,0 plastic ball head Ø 10mm	
81 620 08	Nissan	10	22	520	250	665	93035 M6x1,0 ball head Ø 10mm incl. Ball bolt	93035 M6x1,0 ball head Ø 10mm incl. Ball bolt	
81 757 11	Rover	8	18	522	200	440	92076 M6x1,0 plastic ball head Ø 10mm	92077 M6x1,0 plastic ball head Ø 10mm (10')	
81 007 09	Alfa Romeo	8	18	522	220	300	92076 M6x1,0 plastic ball head Ø 10mm	92076 M6x1,0 plastic ball head Ø 10mm	
81 007 10	Alfa Romeo	8	18	522	220	400	92076 M6x1,0 plastic ball head Ø 10mm	92076 M6x1,0 plastic ball head Ø 10mm	
81 829 01	Seat	8	18	523	220	320	92076 M6x1,0 plastic ball head Ø 10mm	92076 M6x1,0 plastic ball head Ø 10mm	
81 958 18	Volvo	8	18	523	220	350	92076 M6x1,0 plastic ball head Ø 10mm	92076 M6x1,0 plastic ball head Ø 10mm	
81 620 34	Nissan	10	22	525	203	471	Special	Special	
81 620 35	Nissan	10	22	525	203	471	Special	Special	
81 729 18	Renault	8	18	525	210	554	92076 M6x1,0 plastic ball head Ø 10mm	92076 M6x1,0 plastic ball head Ø 10mm	
80 778 02	Saab	8	18	525	220	480	92076 M6x1,0 plastic ball head Ø 10mm	92076 M6x1,0 plastic ball head Ø 10mm	
80 778 03	Saab	8	18	525	220	240	92076 M6x1,0 plastic ball head Ø 10mm	92076 M6x1,0 plastic ball head Ø 10mm	
81 857 00	Skoda	8	18	525	220	450	92077 M6x1,0 plastic ball head Ø 10mm (10')	92077 M6x1,0 plastic ball head Ø 10mm (10')	
81 620 17	Nissan	10	22	525	230	660	93036 M6x1,0 ball head Ø 10mm incl. Ball bolt	93035 M6x1,0 ball head Ø 10mm incl. Ball bolt	
81 620 36	Nissan	8	18	526	190	575	92078 M6x1,0 plastic ball head Ø 10mm	92078 M6x1,0 plastic ball head Ø 10mm	
81 950 54	Volkswagen	8	18	527	211	420	Plastic ball head	Plastic ball head	New 2009
80 778 00	Saab	8	18	527	220	240	92076 M6x1,0 plastic ball head Ø 10mm	92076 M6x1,0 plastic ball head Ø 10mm	
81 156 46	Citroen	8	18	527	220	125	Plastic ball head	Plastic ball head	New 2009
81 857 02	Skoda	8	18	527	220	450	92022 M8x1,0 ball head Ø 10mm	92077 M6x1,0 plastic ball head Ø 10mm (10')	
81 620 44	Nissan	8	18	528	220	410	Plastic ball head	Special	New 2009
81 620 45	Nissan	8	18	528	220	410	Plastic ball head	Special	New 2009
81 084 18	BMW	8	18	530	175	530	92078 M6x1,0 plastic ball head Ø 10mm	92078 M6x1,0 plastic ball head Ø 10mm	
81 620 28	Nissan	8	18	530	177	710	92076 M6x1,0 plastic ball head Ø 10mm	92078 M6x1,0 plastic ball head Ø 10mm	
81 667 49	Peugeot	10	22	530	190	620	Plastic ball head	Plastic ball head	New 2009
81 958 17	Volvo	8	18	530	200	310	92076 M6x1,0 plastic ball head Ø 10mm	92076 M6x1,0 plastic ball head Ø 10mm	
81 554 12	Mazda	10	22	530	211	340	92022 M8x1,0 ball head Ø 10mm	Special	
81 554 13	Mazda	10	22	530	211	340	92022 M8x1,0 ball head Ø 10mm	Special	
80 042 15	Audi	8	18	530	223	245	92076 M6x1,0 plastic ball head Ø 10mm	92076 M6x1,0 plastic ball head Ø 10mm	
81 950 11	Volkswagen	8	18	530	230	460	92018 M6x1,0 ball head Ø 10mm	92018 M6x1,0 ball head Ø 10mm	
81 042 29	Audi	8	18	531	209	410	92076 M6x1,0 plastic ball head Ø 10mm	92077 M6x1,0 plastic ball head Ø 10mm (10')	
81 925 66	Toyota	8	18	532	173	545	Plastic ball head	Plastic ball head	New 2009
81 860 02	Smart	8	18	532	190	360	Plastic ball head	Plastic ball head	New 2009
81 554 02	Mazda	8	18	533	200	350	93037 M8x1,0 ball head Ø 10mm incl. Ball bolt	93000 Special	
81 554 03	Mazda	8	18	533	200	350	93037 M8x1,0 ball head Ø 10mm incl. Ball bolt	93001 Special	
81 729 44	Renault	10	27,4	533	220	730	Plastic ball head	Plastic ball head	New 2009
81 729 43	Renault	8	18	534	170	515	Plastic ball head	Plastic ball head	New 2009
81 275 51	Ford	8	18	534	250	585	92076 M6x1,0 plastic ball head Ø 10mm	92076 M6x1,0 plastic ball head Ø 10mm	
81 620 42	Nissan	8	18	535	220	410	Plastic ball head	Special	New 2009
81 620 43	Nissan	8	18	535	220	410	Plastic ball head	Special	New 2009
81 275 11	Ford	8	18	535	230	420	92076 M6x1,0 plastic ball head Ø 10mm	92076 M6x1,0 plastic ball head Ø 10mm	
81 634 12	Opel	8	18	535	230	470	92076 M6x1,0 plastic ball head Ø 10mm	92076 M6x1,0 plastic ball head Ø 10mm	
81 634 35	Opel	8	18	535	230	430	92076 M6x1,0 plastic ball head Ø 10mm	92076 M6x1,0 plastic ball head Ø 10mm	
81 729 27	Renault	8	18	535	230	455	92078 M6x1,0 plastic ball head Ø 10mm	92078 M6x1,0 plastic ball head Ø 10mm	
81 946 35	Vauxhall	8	18	535	230	430	92076 M6x1,0 plastic ball head Ø 10mm	92076 M6x1,0 plastic ball head Ø 10mm	
81 958 10	Volvo	8	18	535	230	200	92076 M6x1,0 plastic ball head Ø 10mm	92076 M6x1,0 plastic ball head Ø 10mm	
81 958 06	Volvo	8	18	536	210	350	Thread M6x1,0 thread	92076 M6x1,0 plastic ball head Ø 10mm	
81 925 30	Toyota	8	18	537	200	600	93033 Special	92022 M8x1,0 ball head Ø 10mm	
81 925 31	Toyota	8	18	537	200	600	93034 Special	92022 M8x1,0 ball head Ø 10mm	
81 357 07	Honda	8	18	538	200	340	93037 M8x1,0 ball head Ø 10mm incl. Ball bolt	93038 Special	
80 950 12	Volkswagen	8	18	538	205	125	Plastic ball head	Plastic ball head	New 2009
81 372 00	Hyundai	10	22	538	211	450	92076 M6x1,0 plastic ball head Ø 10mm	92076 M6x1,0 plastic ball head Ø 10mm	
81 275 69	Ford	8	18	538	220	585	Plastic ball head	Plastic ball head	New 2009
81 261 08	Fiat	8	18	538	230	300	92076 M6x1,0 plastic ball head Ø 10mm	92076 M6x1,0 plastic ball head Ø 10mm	
81 634 56	Opel/Vauxhall	8	18	539	205	520	92076 M6x1,0 plastic ball head Ø 10mm	92076 M6x1,0 plastic ball head Ø 10mm	
81 950 09	Volkswagen	8	18	540	214	480	92011 Welded eye Ø 8mm	92011 Welded eye Ø 8mm	
81 620 40	Nissan	8	18	540	215	340	Plastic ball head	Plastic ball head	New 2009

Lesjöfors	Application	Rod Ø	Cyl Ø	Extended length	Stroke	Force (N)	Piston Rod, end fitting Drawing reference (see page 70-72)		Cylinder, end fitting Drawing reference (see page 70-72)		Info
81 568 00	Mercedes	8	18	540	220	370	92078	M6x1,0 plastic ball head Ø 10mm	92078	M6x1,0 plastic ball head Ø 10mm	
81 568 11	Mercedes	10	22	540	225	450		Plastic ball head		Plastic ball head	New 2009
81 554 37	Mazda	8	18	540	226	390		Plastic ball head		Plastic ball head	New 2009
81 372 24	Hyundai	10	22	540	227	440		Special		Special	New 2009
81 372 25	Hyundai	10	22	540	227	440		Special		Special	New 2009
80 156 00	Citroen	8	18	540	230	253	92076	M6x1,0 plastic ball head Ø 10mm	92018	M6x1,0 ball head Ø 10mm	
81 620 13	Nissan	8	18	540	230	200	93037	M8x1,0 ball head Ø 10mm incl. Ball bolt	93037	M8x1,0 ball head Ø 10mm incl. Ball bolt	
81 620 14	Nissan	8	18	540	230	300	93037	M8x1,0 ball head Ø 10mm incl. Ball bolt	93037	M8x1,0 ball head Ø 10mm incl. Ball bolt	
81 757 01	Rover	8	18	540	230	360	92076	M6x1,0 plastic ball head Ø 10mm	92076	M6x1,0 plastic ball head Ø 10mm	
81 156 36	Citroen	8	18	541	227	520	92018	M6x1,0 ball head Ø 10mm	92018	M6x1,0 ball head Ø 10mm	
80 634 04	Opel	8	18	542	226	310	92076	M6x1,0 plastic ball head Ø 10mm	92076	M6x1,0 plastic ball head Ø 10mm	
81 084 28	BMW	8	18	542	230	440	92076	M6x1,0 plastic ball head Ø 10mm	92076	M6x1,0 plastic ball head Ø 10mm	New 2009
81 275 12	Ford	8	18	542	230	440	92076	M6x1,0 plastic ball head Ø 10mm	92076	M6x1,0 plastic ball head Ø 10mm	
81 729 19	Renault	8	18	542	230	524	92076	M6x1,0 plastic ball head Ø 10mm	92076	M6x1,0 plastic ball head Ø 10mm	
81 958 13	Volvo	8	18	542	230	330	92077	M6x1,0 plastic ball head Ø 10mm (10°)	92077	M6x1,0 plastic ball head Ø 10mm (10°)	
81 084 12	BMW	8	18	543	210	470	92078	M6x1,0 plastic ball head Ø 10mm	92078	M6x1,0 plastic ball head Ø 10mm	
81 554 14	Mazda	10	22	543	211	390	92022	M8x1,0 ball head Ø 10mm		Special	
81 554 15	Mazda	10	22	543	211	390	92022	M8x1,0 ball head Ø 10mm		Special	
81 568 12	Mercedes	10	22	543	230	460		Plastic ball head		Plastic ball head	New 2009
81 261 01	Fiat	8	18	543	240	370	92011	Welded eye Ø 8mm	92011	Welded eye Ø 8mm	
81 634 42	Opel	8	18	544	200	590	92077	M6x1,0 plastic ball head Ø 10mm (10°)	92077	M6x1,0 plastic ball head Ø 10mm (10°)	
81 946 42	Vauxhall	8	18	544	200	590	92077	M6x1,0 plastic ball head Ø 10mm (10°)	92077	M6x1,0 plastic ball head Ø 10mm (10°)	
81 156 00	Citroen	8	18	545	230	250	92076	M6x1,0 plastic ball head Ø 10mm	92076	M6x1,0 plastic ball head Ø 10mm	
81 634 09	Opel	8	18	545	230	320	92076	M6x1,0 plastic ball head Ø 10mm	92076	M6x1,0 plastic ball head Ø 10mm	
81 634 10	Opel	8	18	545	230	360	92076	M6x1,0 plastic ball head Ø 10mm	92076	M6x1,0 plastic ball head Ø 10mm	
81 667 08	Peugeot	8	18	545	230	480	92076	M6x1,0 plastic ball head Ø 10mm	92076	M6x1,0 plastic ball head Ø 10mm	
81 946 14	Vauxhall	8	18	545	230	360	92076	M6x1,0 plastic ball head Ø 10mm	92076	M6x1,0 plastic ball head Ø 10mm	
81 946 31	Vauxhall	8	18	545	230	320	92076	M6x1,0 plastic ball head Ø 10mm	92076	M6x1,0 plastic ball head Ø 10mm	
81 729 32	Renault	6	15	546	192	180		Special		Special	
81 442 16	Kia	8	18	546	210	595		Plastic ball head		Plastic ball head	New 2009
81 729 39	Renault	10	22	546	225	480		Plastic ball head		Plastic ball head	New 2009
81 729 40	Renault	10	22	546	225	540		Plastic ball head		Plastic ball head	New 2009
81 156 37	Citroen	8	18	546	290	425		Plastic ball head		Plastic ball head	New 2009
81 156 50	Citroen	10	22	547	225	535		Plastic ball head		Plastic ball head	New 2009
81 007 00	Alfa Romeo	8	18	547	230	210	92076	M6x1,0 plastic ball head Ø 10mm	92011	Welded eye Ø 8mm	
81 275 13	Ford	8	18	547	230	495	92076	M6x1,0 plastic ball head Ø 10mm	92076	M6x1,0 plastic ball head Ø 10mm	
81 634 19	Opel	8	18	547	230	410	92077	M6x1,0 plastic ball head Ø 10mm (10°)	92077	M6x1,0 plastic ball head Ø 10mm (10°)	
81 946 03	Vauxhall	8	18	547	230	410	92077	M6x1,0 plastic ball head Ø 10mm (10°)	92077	M6x1,0 plastic ball head Ø 10mm (10°)	
81 889 10	Suzuki	8	18	547	235	280		Special		Special	New 2009
81 889 11	Suzuki	8	18	547	235	280		Special		Special	New 2009
80 275 00	Ford	8	18	549	230	285	92022	M8x1,0 ball head Ø 10mm	92022	M8x1,0 ball head Ø 10mm	
81 357 17	Honda	10	22	550	160	710	92076	M6x1,0 plastic ball head Ø 10mm	92077	M6x1,0 plastic ball head Ø 10mm (10°)	
80 778 01	Saab	8	18	550	218	225	92011	Welded eye Ø 8mm	92011	Welded eye Ø 8mm	
81 261 06	Fiat	8	18	550	222	200	92011	Welded eye Ø 8mm	93039	Special	
81 007 01	Alfa Romeo	8	18	550	230	300	92025	M6x1,0 ball head Ø 8mm	92071	Welded eye Ø 6mm	
81 634 18	Opel	8	18	550	230	355	92077	M6x1,0 plastic ball head Ø 10mm (10°)	92077	M6x1,0 plastic ball head Ø 10mm (10°)	
81 757 07	Rover	8	18	550	230	410	92077	M6x1,0 plastic ball head Ø 10mm (10°)	92077	M6x1,0 plastic ball head Ø 10mm (10°)	
81 946 02	Vauxhall	8	18	550	230	355	92077	M6x1,0 plastic ball head Ø 10mm (10°)	92077	M6x1,0 plastic ball head Ø 10mm (10°)	
81 958 07	Volvo	8	18	550	230	460	92076	M6x1,0 plastic ball head Ø 10mm	92076	M6x1,0 plastic ball head Ø 10mm	
81 958 09	Volvo	8	18	550	230	475	92077	M6x1,0 plastic ball head Ø 10mm (10°)	92077	M6x1,0 plastic ball head Ø 10mm (10°)	
81 261 35	Fiat	8	18	550	241	390		Plastic eye		Special	New 2009
81 620 18	Nissan	8	18	550	242	290		Special		Special	
81 620 19	Nissan	8	18	550	242	290		Special		Special	
81 620 20	Nissan	8	18	550	242	250		Special		Special	
81 620 21	Nissan	8	18	550	242	250		Special		Special	
81 829 10	Seat	8	18	550	245	250	92011	Welded eye Ø 8mm	92011	Welded eye Ø 8mm	
81 950 08	Volkswagen	8	18	551	222	400	92011	Welded eye Ø 8mm	92011	Welded eye Ø 8mm	
81 275 44	Ford	10	22	551	235	810	92022	M8x1,0 ball head Ø 10mm	92022	M8x1,0 ball head Ø 10mm	
81 275 45	Ford	10	22	551	235	850	92022	M8x1,0 ball head Ø 10mm	92022	M8x1,0 ball head Ø 10mm	
81 925 14	Toyota	10	22	552	200	400	93037	M8x1,0 ball head Ø 10mm incl. Ball bolt	93000	Special	
81 925 15	Toyota	10	22	552	200	400	93037	M8x1,0 ball head Ø 10mm incl. Ball bolt	93001	Special	
81 667 07	Peugeot	8	18	552	226	400	92076	M6x1,0 plastic ball head Ø 10mm	92076	M6x1,0 plastic ball head Ø 10mm	
81 275 66	Ford	8	18	552	253	670		Plastic ball head		Plastic ball head	New 2009
81 757 09	Rover	8	18	553	204	470	93040	Special	92076	M6x1,0 plastic ball head Ø 10mm	
80 568 08	Mercedes	8	18	553	218	330		Plastic ball head		Special	New 2009
81 275 24	Ford	8	18	553	230	515	92078	M6x1,0 plastic ball head Ø 10mm	92076	M6x1,0 plastic ball head Ø 10mm	
81 275 25	Ford	8	18	553	230	560	92078	M6x1,0 plastic ball head Ø 10mm	92076	M6x1,0 plastic ball head Ø 10mm	
81 275 52	Ford	8	18	553	242	475	92076	M6x1,0 plastic ball head Ø 10mm	92077	M6x1,0 plastic ball head Ø 10mm (10°)	
80 667 03	Peugeot	8	18	554	182	150	92078	M6x1,0 plastic ball head Ø 10mm	92078	M6x1,0 plastic ball head Ø 10mm	
81 156 52	Citroen	8	18	554	228	305		Plastic ball head		Plastic ball head	New 2009
81 667 37	Peugeot	8	18	554	228	305		Plastic ball head		Plastic ball head	New 2009



Lesjöfors	Application	Rod Ø	Cyl Ø	Extended length	Stroke	Force (N)	Piston Rod, end fitting Drawing reference (see page 70–72)	Cylinder, end fitting Drawing reference (see page 70–72)	Info
81 275 67	Ford	8	18	554	253	715	Plastic ball head	Plastic ball head	New 2009
81 275 55	Ford	8	18	555	214	500	92076 M6x1,0 plastic ball head Ø 10mm	92076 M6x1,0 plastic ball head Ø 10mm	
81 883 02	Subaru	10	22	555	220	420	Ball head	Special	New 2009
81 883 03	Subaru	10	22	555	220	420	Ball head	Special	New 2009
81 357 05	Honda	8	18	555	230	450	93037 M8x1,0 ball head Ø 10mm incl. Ball bolt	93020 Special	
81 357 06	Honda	8	18	555	230	450	93037 M8x1,0 ball head Ø 10mm incl. Ball bolt	93021 Special	
81 592 15	Mitsubishi	8	18	555	230	450	92076 M6x1,0 plastic ball head Ø 10mm	92076 M6x1,0 plastic ball head Ø 10mm	
81 275 10	Ford	8	18	555	242	485	92076 M6x1,0 plastic ball head Ø 10mm	92076 M6x1,0 plastic ball head Ø 10mm	
81 634 17	Opel	8	18	555	242	320	92077 M6x1,0 plastic ball head Ø 10mm (10')	92077 M6x1,0 plastic ball head Ø 10mm (10')	
81 946 33	Vauxhall	8	18	555	242	320	92077 M6x1,0 plastic ball head Ø 10mm (10')	92077 M6x1,0 plastic ball head Ø 10mm (10')	
81 958 08	Volvo	8	18	555	250	415	92076 M6x1,0 plastic ball head Ø 10mm	92076 M6x1,0 plastic ball head Ø 10mm	
81 275 08	Ford	8	18	556	242	330	92076 M6x1,0 plastic ball head Ø 10mm	92076 M6x1,0 plastic ball head Ø 10mm	
81 667 19	Peugeot	8	18	557	210	550	92022 M8x1,0 ball head Ø 10mm	92022 M8x1,0 ball head Ø 10mm	
81 554 38	Mazda	8	22	557	212	466	Plastic ball head	Special	New 2009
81 554 39	Mazda	8	22	557	212	466	Plastic ball head	Special	New 2009
81 620 32	Nissan	8	18	557	220	302	Special	Special	
81 620 33	Nissan	8	18	557	220	295	Special	Special	
81 372 20	Hyundai	8	18	557	222	550	Plastic ball head	Plastic ball head	New 2009
81 084 26	BMW	8	18	557	230	225	Plastic ball head	Plastic ball head	New 2009
81 156 38	Citroen	8	18	557	275	530	Plastic ball head	Plastic ball head	New 2009
81 156 39	Citroen	8	18	557	275	500	Plastic ball head	Plastic ball head	New 2009
81 568 15	Mercedes	10	22	559	180	725	Plastic ball head	Special	New 2009
81 568 16	Mercedes	10	22	559	180	725	Plastic ball head	Special	New 2009
81 620 07	Nissan	10	22	560	225	335	93037 M8x1,0 ball head Ø 10mm incl. Ball bolt	93037 M8x1,0 ball head Ø 10mm incl. Ball bolt	
81 275 09	Ford	8	18	560	242	380	92076 M6x1,0 plastic ball head Ø 10mm	92076 M6x1,0 plastic ball head Ø 10mm	
81 729 20	Renault	8	18	562	210	800	92076 M6x1,0 plastic ball head Ø 10mm	92076 M6x1,0 plastic ball head Ø 10mm	
81 421 00	Jeep	10	22	563	197		Plastic ball head	Special	New 2009
81 442 05	Kia	10	22	565	198	363	Special	Special	
81 442 06	Kia	10	22	565	198	363	Special	Special	
81 667 39	Peugeot	8	18	565	220	315	Plastic ball head	Plastic ball head	New 2009
81 357 00	Honda	8	18	565	222	300	93042 Special	93041 Special	
81 442 20	Kia	8	18	565	225	560	Plastic ball head	Plastic ball head	New 2009
81 585 08	MG	8	18	565	225	560	Plastic ball head	Plastic ball head	New 2009
81 757 20	Rover	8	18	565	225	560	Plastic ball head	Plastic ball head	New 2009
81 883 05	Subaru	8	18	565	225	334	Ball head	Ball head	New 2009
81 261 14	Fiat	8	18	565	230	290	92076 M6x1,0 plastic ball head Ø 10mm	92076 M6x1,0 plastic ball head Ø 10mm	
81 275 19	Ford	10	22	565	230	590	92076 M6x1,0 plastic ball head Ø 10mm	92076 M6x1,0 plastic ball head Ø 10mm	
81 275 20	Ford	10	22	565	230	645	92076 M6x1,0 plastic ball head Ø 10mm	92076 M6x1,0 plastic ball head Ø 10mm	
81 634 36	Opel	8	18	565	230	500	92076 M6x1,0 plastic ball head Ø 10mm	92076 M6x1,0 plastic ball head Ø 10mm	
81 946 36	Vauxhall	8	18	565	230	500	92076 M6x1,0 plastic ball head Ø 10mm	92076 M6x1,0 plastic ball head Ø 10mm	
80 442 01	Kia	8	18	565	240	290	Plastic ball head	Plastic ball head	New 2009
81 275 23	Ford	8	18	565	242	450	92012 M6x1,0 eye Ø 13,1mm	Thread M10x1,75 Thread	
81 275 33	Ford	8	18	565	242	480	92077 M6x1,0 plastic ball head Ø 10mm (10')	92076 M6x1,0 plastic ball head Ø 10mm	
81 634 06	Opel	8	18	566	210	430	92076 M6x1,0 plastic ball head Ø 10mm	92076 M6x1,0 plastic ball head Ø 10mm	
81 946 08	Vauxhall	8	18	566	210	430	92076 M6x1,0 plastic ball head Ø 10mm	92076 M6x1,0 plastic ball head Ø 10mm	
81 357 23	Honda	8	18	566	223	360	92076 M6x1,0 plastic ball head Ø 10mm	92077 M6x1,0 plastic ball head Ø 10mm (10')	
81 357 03	Honda	10	22	566	225	450	93037 M8x1,0 ball head Ø 10mm incl. Ball bolt	93010 Special	
81 357 04	Honda	10	22	566	225	450	93037 M8x1,0 ball head Ø 10mm incl. Ball bolt	93011 Special	
81 554 36	Mazda	8	18	566	242	480	92076 M6x1,0 plastic ball head Ø 10mm	92077 M6x1,0 plastic ball head Ø 10mm (10')	New 2009
81 667 09	Peugeot	8	18	566	242	440	92076 M6x1,0 plastic ball head Ø 10mm	92076 M6x1,0 plastic ball head Ø 10mm	
81 667 10	Peugeot	8	18	566	242	483	92076 M6x1,0 plastic ball head Ø 10mm	92076 M6x1,0 plastic ball head Ø 10mm	
81 778 02	Saab	8	18	566	242	480	92076 M6x1,0 plastic ball head Ø 10mm	92077 M6x1,0 plastic ball head Ø 10mm (10')	
81 442 14	Kia	8	18	566	250	360	Special	Special	New 2009
81 442 15	Kia	8	18	566	250	360	Special	Special	New 2009
81 634 11	Opel	8	18	567	230	360	92076 M6x1,0 plastic ball head Ø 10mm	92076 M6x1,0 plastic ball head Ø 10mm	
81 946 15	Vauxhall	8	18	567	230	360	92076 M6x1,0 plastic ball head Ø 10mm	92076 M6x1,0 plastic ball head Ø 10mm	
81 275 58	Ford	8	18	567	238	460	92076 M6x1,0 plastic ball head Ø 10mm	92076 M6x1,0 plastic ball head Ø 10mm	
81 372 08	Hyundai	10	22	567	238	570	92076 M6x1,0 plastic ball head Ø 10mm	92076 M6x1,0 plastic ball head Ø 10mm	
81 634 37	Opel	8	18	568	210	540	92078 M6x1,0 plastic ball head Ø 10mm	92076 M6x1,0 plastic ball head Ø 10mm	
81 946 37	Vauxhall	8	18	568	210	540	92078 M6x1,0 plastic ball head Ø 10mm	92076 M6x1,0 plastic ball head Ø 10mm	
81 757 14	Rover	8	18	568	233	330	92076 M6x1,0 plastic ball head Ø 10mm	92076 M6x1,0 plastic ball head Ø 10mm	
81 883 05	Subaru	8	18	568	233	330	92076 M6x1,0 plastic ball head Ø 10mm	92076 M6x1,0 plastic ball head Ø 10mm	New 2009
81 261 27	Fiat	8	18	568	242	210	M6x1,0 plastic ball head Ø 10mm	M6x1,0 plastic ball head Ø 10mm	
81 778 12	Saab	8	18	568	242	500	92076 M6x1,0 plastic ball head Ø 10mm	92077 M6x1,0 plastic ball head Ø 10mm (10')	
81 889 12	Suzuki	8	18	570	205	382	Special	Special	New 2009
81 889 13	Suzuki	8	18	570	205	406	Special	Special	New 2009
81 950 10	Volkswagen	8	18	570	222	380	92004 Welded eye Ø 13mm	92076 M6x1,0 plastic ball head Ø 10mm	
81 950 18	Volkswagen	8	18	570	222	600	92004 Welded eye Ø 13mm	92076 M6x1,0 plastic ball head Ø 10mm	
81 925 00	Toyota	10	22	570	225	450	93043 Special	93004 Special	
81 925 01	Toyota	10	22	570	225	450	93044 Special	93005 Special	
81 757 04	Rover	8	18	570	230	530	92076 M6x1,0 plastic ball head Ø 10mm	92076 M6x1,0 plastic ball head Ø 10mm	

Lesjöfors	Application	Rod Ø	Cyl Ø	Extended length	Stroke	Force (N)	Piston Rod, end fitting Drawing reference (see page 70-72)		Cylinder, end fitting Drawing reference (see page 70-72)		Info
81 950 23	Volkswagen	10	22	570	240	660	92076	M6x1,0 plastic ball head Ø 10mm	92076	M6x1,0 plastic ball head Ø 10mm	
81 950 24	Volkswagen	10	22	570	240	750	92076	M6x1,0 plastic ball head Ø 10mm	92076	M6x1,0 plastic ball head Ø 10mm	
81 592 01	Mitsubishi	8	18	570	242	490	92076	M6x1,0 plastic ball head Ø 10mm	92076	M6x1,0 plastic ball head Ø 10mm	
81 592 02	Mitsubishi	8	18	570	242	490	92076	M6x1,0 plastic ball head Ø 10mm	92076	M6x1,0 plastic ball head Ø 10mm	
81 778 03	Saab	8	18	570	242	520	92076	M6x1,0 plastic ball head Ø 10mm	92077	M6x1,0 plastic ball head Ø 10mm (10°)	
81 778 11	Saab	8	18	570	242	470	92076	M6x1,0 plastic ball head Ø 10mm	92077	M6x1,0 plastic ball head Ø 10mm (10°)	
81 372 18	Hyundai	8	18	571	209	630		Plastic ball head		Plastic ball head	New 2009
81 925 43	Toyota	12,5	22	573	176	510	92019	M6x1,0 ball head Ø 10mm		Special	
81 925 44	Toyota	12,5	22	573	176	516	92019	M6x1,0 ball head Ø 10mm		Special	
81 275 63	Ford	10	27,4	573	200	990		Plastic ball head		Plastic ball head	New 2009
81 592 05	Mitsubishi	8	18	573	220	221		Special		Special	
81 592 07	Mitsubishi	8	18	573	220	221		Special		Special	
81 554 18	Mazda	10	22	573	230	293		Special		Special	
81 554 19	Mazda	10	22	573	230	293		Special		Special	
80 829 01	Seat	8	18	573	245	330	92076	M6x1,0 plastic ball head Ø 10mm	92076	M6x1,0 plastic ball head Ø 10mm	
81 042 07	Audi	8	18	573	250	500	92078	M6x1,0 plastic ball head Ø 10mm	92077	M6x1,0 plastic ball head Ø 10mm (10°)	
81 925 09	Toyota	8	18	575	200	270	93037	M8x1,0 ball head Ø 10mm incl. Ball bolt	93037	M8x1,0 ball head Ø 10mm incl. Ball bolt	
81 634 63	Opel/Vauxhall	8	18	575	213	530		Plastic ball head		Plastic ball head	New 2009
81 191 04	Daihatsu	8	18	575	214	155		Special		Special	
81 191 06	Daihatsu	8	18	575	214	155		Special		Special	
81 191 08	Daihatsu	10	22	575	220	500		Special		Special	
81 275 00	Ford	8	18	575	230	260	92076	M6x1,0 plastic ball head Ø 10mm	92076	M6x1,0 plastic ball head Ø 10mm	
81 275 01	Ford	8	18	575	230	305	92076	M6x1,0 plastic ball head Ø 10mm	92076	M6x1,0 plastic ball head Ø 10mm	
81 275 03	Ford	8	18	575	230	425	92076	M6x1,0 plastic ball head Ø 10mm	92076	M6x1,0 plastic ball head Ø 10mm	
80 587 00	Mini	8	18	575	238	270	92076	M6x1,0 plastic ball head Ø 10mm	92076	M6x1,0 plastic ball head Ø 10mm	
81 634 13	Opel	10	22	575	242	550	92021	M8x1,0 ball head Ø 13mm	92021	M8x1,0 ball head Ø 13mm	
81 372 13	Hyundai	8	18	576	225	420		Plastic ball head		Special	New 2009
81 372 14	Hyundai	8	18	576	225	420		Plastic ball head		Special	New 2009
81 261 19	Fiat	8	18	576	250	210	92076	M6x1,0 plastic ball head Ø 10mm	92076	M6x1,0 plastic ball head Ø 10mm	
81 275 14	Ford	8	18	578	242	325	92076	M6x1,0 plastic ball head Ø 10mm	92076	M6x1,0 plastic ball head Ø 10mm	
81 275 22	Ford	8	18	578	242	295	92076	M6x1,0 plastic ball head Ø 10mm	92076	M6x1,0 plastic ball head Ø 10mm	
81 554 35	Mazda	8	18	578	242	325	92076	M6x1,0 plastic ball head Ø 10mm	92076	M6x1,0 plastic ball head Ø 10mm	New 2009
81 275 41	Ford	8	18	578	250	285	92022	M8x1,0 ball head Ø 10mm	92022	M8x1,0 ball head Ø 10mm	
81 667 29	Peugeot	8	18	579	219	535	92078	M6x1,0 plastic ball head Ø 10mm	92078	M6x1,0 plastic ball head Ø 10mm	
81 372 09	Hyundai	8	18	579	225	460		Plastic ball head		Special	New 2009
81 372 10	Hyundai	8	18	579	225	460		Plastic ball head		Special	New 2009
81 357 10	Honda	10	22	579	240	430	93037	M8x1,0 ball head Ø 10mm incl. Ball bolt	93012	Special	
81 357 11	Honda	10	22	579	240	430	93037	M8x1,0 ball head Ø 10mm incl. Ball bolt	93013	Special	
81 925 67	Toyota	12,5	22	580	160	675		Special		Special	New 2009
81 925 68	Toyota	12,5	22	580	160	675		Special		Special	New 2009
81 592 09	Mitsubishi	10	22	580	173	530		Special		Special	
81 592 11	Mitsubishi	10	22	580	173	530		Special		Special	
81 156 42	Citroen	8	18	580	195	580		Plastic ball head		Plastic ball head	New 2009
81 156 06	Citroen	8	18	580	240	320	92011	Welded eye Ø 8mm	92011	Welded eye Ø 8mm	
81 889 00	Suzuki	8	18	580	241	209		Special		Special	New 2009
81 889 01	Suzuki	8	18	580	241	209		Special		Special	
81 042 09	Audi	8	18	580	242	470	92076	M6x1,0 plastic ball head Ø 10mm	92076	M6x1,0 plastic ball head Ø 10mm	
81 275 21	Ford	8	18	580	242	260	92076	M6x1,0 plastic ball head Ø 10mm	92076	M6x1,0 plastic ball head Ø 10mm	
81 634 28	Opel	8	18	580	246	340	92076	M6x1,0 plastic ball head Ø 10mm	92076	M6x1,0 plastic ball head Ø 10mm	
81 946 23	Vauxhall	8	18	580	246	340	92076	M6x1,0 plastic ball head Ø 10mm	92076	M6x1,0 plastic ball head Ø 10mm	
80 568 09	Mercedes	8	18	580	250	330		Plastic ball head		Thread	New 2009
81 275 46	Ford	8	18	580	250	200	92076	M6x1,0 plastic ball head Ø 10mm	92077	M6x1,0 plastic ball head Ø 10mm	
80 156 04	Citroen	8	18	580	255	165		Plastic ball head		Plastic ball head	New 2009
81 156 07	Citroen	10	22	580	258	380	92070	Ball	92011	Welded eye Ø 8mm	
81 958 02	Volvo	10	22	580	262	610	92020	M8x1,0 ball head Ø 13mm	92017	M8x1,0 eye Ø 9,2mm	
81 554 23	Mazda	10	18	580	275	480	92077	M6x1,0 plastic ball head Ø 10mm (10°)	92076	M6x1,0 plastic ball head Ø 10mm	
80 568 06	Mercedes	8	18	583	247	280	92076	M6x1,0 plastic ball head Ø 10mm		Special	
81 950 06	Volkswagen	8	18	583	250	360	92076	M6x1,0 plastic ball head Ø 10mm	92077	M6x1,0 plastic ball head Ø 10mm (10°)	
81 275 60	Ford	8	18	583	260	420	92076	M6x1,0 plastic ball head Ø 10mm	92076	M6x1,0 plastic ball head Ø 10mm	
81 857 08	Skoda	8	18	584	248	460		Plastic ball head		Plastic ball head	New 2009
80 568 07	Mercedes	8	18	585	209	280	92076	M6x1,0 plastic ball head Ø 10mm	92076	M6x1,0 plastic ball head Ø 10mm	
81 925 10	Toyota	8	18	585	230	250	93024	Special	93026	Special	
81 925 11	Toyota	8	18	585	230	250	93025	Special	93027	Special	
81 554 20	Mazda	10	22	585	235	306		Special		Special	
81 554 21	Mazda	10	22	585	235	306		Special		Special	
81 554 24	Mazda	10	22	585	237	461		Special		Special	
81 554 25	Mazda	10	22	585	237	461		Special		Special	
81 357 18	Honda	8	18	585	238	500	92078	M6x1,0 plastic ball head Ø 10mm	92078	M6x1,0 plastic ball head Ø 10mm	
81 592 12	Mitsubishi	10	22	585	240	355		Special		Special	
81 620 02	Nissan	8	18	585	240	215	93014	Special	93016	Special	
81 620 03	Nissan	8	18	585	240	215	93015	Special	93017	Special	

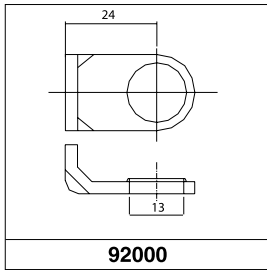
Lesjöfors	Application	Rod Ø	Cyl Ø	Extended length	Stroke	Force (N)	Piston Rod, end fitting Drawing reference (see page 70–72)	Cylinder, end fitting Drawing reference (see page 70–72)	Info
81 261 12	Fiat	8	18	585	250	280	92076 M6x1,0 plastic ball head Ø 10mm	92077 M6x1,0 plastic ball head Ø 10mm (10')	
81 261 15	Fiat	8	18	585	250	430	92076 M6x1,0 plastic ball head Ø 10mm	92076 M6x1,0 plastic ball head Ø 10mm	
81 275 05	Ford	8	18	585	250	440	92076 M6x1,0 plastic ball head Ø 10mm	92076 M6x1,0 plastic ball head Ø 10mm	
81 857 07	Skoda	8	18	585	250	430	92076 M6x1,0 plastic ball head Ø 10mm	92076 M6x1,0 plastic ball head Ø 10mm	New 2009
81 667 21	Peugeot	8	18	586	230	340	92076 M6x1,0 plastic ball head Ø 10mm	92076 M6x1,0 plastic ball head Ø 10mm	
81 156 43	Citroen	8	18	587	210	675	Plastic ball head	Plastic ball head	New 2009
81 372 11	Hyundai	8	18	588	220	520	Plastic ball head	Plastic ball head	New 2009
81 372 12	Hyundai	8	18	588	220	520	Plastic ball head	Plastic ball head	New 2009
81 372 15	Hyundai	8	18	588	220	550	Plastic ball head	Plastic ball head	New 2009
81 372 16	Hyundai	8	18	588	220	550	Plastic ball head	Plastic ball head	New 2009
81 156 44	Citroen	8	18	588	250	110	Plastic ball head	Plastic ball head	New 2009
81 592 24	Mitsubishi	8	18	589	245	460	Plastic ball head	Plastic ball head	New 2009
81 620 41	Nissan	8	18	590	179	425	Plastic ball head	Plastic ball head	New 2009
81 191 05	Daihatsu	8	18	590	195	201	Special	Special	
81 191 07	Daihatsu	8	18	590	195	201	Special	Special	
81 275 49	Ford	10	27,4	590	212	790	92077 M6x1,0 plastic ball head Ø 10mm (10')	92077 M6x1,0 plastic ball head Ø 10mm (10')	
81 829 04	Seat	10	27,4	590	212	790	92077 M6x1,0 plastic ball head Ø 10mm (10')	92077 M6x1,0 plastic ball head Ø 10mm (10')	
81 950 30	Volkswagen	10	27,4	590	212	790	92077 M6x1,0 plastic ball head Ø 10mm (10')	92077 M6x1,0 plastic ball head Ø 10mm (10')	
81 634 15	Opel	10	22	590	242	650	92021 M8x1,0 ball head Ø 13mm	92021 M8x1,0 ball head Ø 13mm	
81 634 16	Opel	10	22	590	242	700	92021 M8x1,0 ball head Ø 13mm	92021 M8x1,0 ball head Ø 13mm	
81 946 01	Vauxhall	10	22	590	242	700	92021 M8x1,0 ball head Ø 13mm	92021 M8x1,0 ball head Ø 13mm	
81 946 26	Vauxhall	10	22	590	242	650	92021 M8x1,0 ball head Ø 13mm	92021 M8x1,0 ball head Ø 13mm	
81 925 53	Toyota	8	18	590	245	246	Special	Special	
81 925 54	Toyota	8	18	590	245	246	Special	Special	
81 261 13	Fiat	8	18	590	260	410	92076 M6x1,0 plastic ball head Ø 10mm	92076 M6x1,0 plastic ball head Ø 10mm	
81 275 06	Ford	8	18	592	242	345	92076 M6x1,0 plastic ball head Ø 10mm	92076 M6x1,0 plastic ball head Ø 10mm	
81 620 06	Nissan	8	18	592	242	400	93035 M6x1,0 ball head Ø 10mm incl. Ball bolt	93035 M6x1,0 ball head Ø 10mm incl. Ball bolt	
81 156 19	Citroen	8	18	592	250	480	92076 M6x1,0 plastic ball head Ø 10mm	92076 M6x1,0 plastic ball head Ø 10mm	
81 261 11	Fiat	8	18	595	250	280	92076 M6x1,0 plastic ball head Ø 10mm	92076 M6x1,0 plastic ball head Ø 10mm	
81 275 04	Ford	8	18	595	250	370	92076 M6x1,0 plastic ball head Ø 10mm	92076 M6x1,0 plastic ball head Ø 10mm	
81 275 07	Ford	8	18	595	250	400	92076 M6x1,0 plastic ball head Ø 10mm	92076 M6x1,0 plastic ball head Ø 10mm	
81 634 03	Opel	8	18	595	250	350	92077 M6x1,0 plastic ball head Ø 10mm (10')	92077 M6x1,0 plastic ball head Ø 10mm (10')	
81 729 10	Renault	8	18	595	250	500	92076 M6x1,0 plastic ball head Ø 10mm	92076 M6x1,0 plastic ball head Ø 10mm	
81 946 06	Vauxhall	8	18	595	250	350	92077 M6x1,0 plastic ball head Ø 10mm (10')	92077 M6x1,0 plastic ball head Ø 10mm (10')	
81 084 10	BMW	10	22	596	220	420	92022 M8x1,0 ball head Ø 10mm	92022 M8x1,0 ball head Ø 10mm	
80 156 02	Citroen	8	18	597	260	440	92076 M6x1,0 plastic ball head Ø 10mm	92076 M6x1,0 plastic ball head Ø 10mm	
81 729 22	Renault	8	18	598	220	554	92076 M6x1,0 plastic ball head Ø 10mm	92076 M6x1,0 plastic ball head Ø 10mm	
81 275 56	Ford	8	18	600	200	440	92076 M6x1,0 plastic ball head Ø 10mm	92076 M6x1,0 plastic ball head Ø 10mm	
81 620 15	Nissan	10	22	600	225	325	93037 M8x1,0 ball head Ø 10mm incl. Ball bolt	93037 M8x1,0 ball head Ø 10mm incl. Ball bolt	
81 442 02	Kia	8	18	600	239	90	Special	Special	
81 585 05	MG	8	18	600	239	360	92076 M6x1,0 plastic ball head Ø 10mm	92076 M6x1,0 plastic ball head Ø 10mm	New 2009
81 757 12	Rover	8	18	600	239	360	92076 M6x1,0 plastic ball head Ø 10mm	92076 M6x1,0 plastic ball head Ø 10mm	
81 442 03	Kia	8	18	600	241	170	92078 M6x1,0 plastic ball head Ø 10mm	92078 M6x1,0 plastic ball head Ø 10mm	
81 191 10	Daihatsu	8	18	600	242	259	Special	Special	
81 191 11	Daihatsu	8	18	600	242	259	Special	Special	
81 667 12	Peugeot	10	27,4	600	249	450	92011 Welded eye Ø 8mm	92011 Welded eye Ø 8mm	
81 156 14	Citroen	8	18	600	250	323	92076 M6x1,0 plastic ball head Ø 10mm	92076 M6x1,0 plastic ball head Ø 10mm	
81 156 15	Citroen	8	18	600	250	382	92076 M6x1,0 plastic ball head Ø 10mm	92076 M6x1,0 plastic ball head Ø 10mm	
81 484 01	Lancia	8	18	600	250	160	92076 M6x1,0 plastic ball head Ø 10mm	92076 M6x1,0 plastic ball head Ø 10mm	
81 634 31	Opel	8	18	600	250	330	92076 M6x1,0 plastic ball head Ø 10mm	92076 M6x1,0 plastic ball head Ø 10mm	
81 667 01	Peugeot	8	18	600	250	310	92076 M6x1,0 plastic ball head Ø 10mm	92076 M6x1,0 plastic ball head Ø 10mm	
81 667 02	Peugeot	8	18	600	250	290	92076 M6x1,0 plastic ball head Ø 10mm	92076 M6x1,0 plastic ball head Ø 10mm	
81 667 06	Peugeot	8	18	600	250	300	92077 M6x1,0 plastic ball head Ø 10mm (10')	92077 M6x1,0 plastic ball head Ø 10mm (10')	
81 757 05	Rover	8	18	600	250	520	92076 M6x1,0 plastic ball head Ø 10mm	92018 M6x1,0 ball head Ø 10mm	
81 950 37	Volkswagen	8	18	600	250	330	92076 M6x1,0 plastic ball head Ø 10mm	92076 M6x1,0 plastic ball head Ø 10mm	
80 007 05	Alfa Romeo	8	18	600	260	250	Plastic ball head	Plastic ball head	New 2009
81 156 27	Citroen	8	18	600	268	584	92078 M6x1,0 plastic ball head Ø 10mm	92078 M6x1,0 plastic ball head Ø 10mm	
81 156 28	Citroen	8	18	600	268	674	92078 M6x1,0 plastic ball head Ø 10mm	92078 M6x1,0 plastic ball head Ø 10mm	
81 156 08	Citroen	8	18	600	269	230	92011 Welded eye Ø 8mm	92011 Welded eye Ø 8mm	
81 156 09	Citroen	8	18	600	269	430	92011 Welded eye Ø 8mm	92011 Welded eye Ø 8mm	
81 156 11	Citroen	8	18	600	269	550	92011 Welded eye Ø 8mm	92011 Welded eye Ø 8mm	
81 156 17	Citroen	8	18	600	269	360	92011 Welded eye Ø 8mm	92011 Welded eye Ø 8mm	
81 261 00	Fiat	8	18	600	269	230	92011 Welded eye Ø 8mm	92011 Welded eye Ø 8mm	
81 261 09	Fiat	8	18	600	269	220	92011 Welded eye Ø 8mm	92011 Welded eye Ø 8mm	
81 261 18	Fiat	8	18	600	269	310	92011 Welded eye Ø 8mm	92011 Welded eye Ø 8mm	
81 729 07	Renault	8	18	600	280	480	92077 M6x1,0 plastic ball head Ø 10mm (10')	92077 M6x1,0 plastic ball head Ø 10mm (10')	
81 958 21	Volvo	8	18	600	280	320	92078 M6x1,0 plastic ball head Ø 10mm	92077 M6x1,0 plastic ball head Ø 10mm (10')	
81 634 60	Opel/Vauxhall	8	18	601	256	240	Plastic ball head	Plastic ball head	New 2009
81 261 02	Fiat	8	18	601	269	320	92011 Welded eye Ø 8mm	92011 Welded eye Ø 8mm	
81 925 24	Toyota	8	18	602	230	220	93037 M8x1,0 ball head Ø 10mm incl. Ball bolt	93002 Special	
81 925 25	Toyota	8	18	602	230	220	93037 M8x1,0 ball head Ø 10mm incl. Ball bolt	93003 Special	

Lesjöfors	Application	Rod Ø	Cyl Ø	Extended length	Stroke	Force (N)	Piston Rod, end fitting Drawing reference (see page 70-72)		Cylinder, end fitting Drawing reference (see page 70-72)		Info
81 042 12	Audi	8	18	602	250	310	92077	M6x1,0 plastic ball head Ø 10mm (10°)	92018	M6x1,0 ball head Ø 10mm	
81 042 13	Audi	8	18	602	250	340	92077	M6x1,0 plastic ball head Ø 10mm (10°)	92018	M6x1,0 ball head Ø 10mm	
80 958 00	Volvo	8	18	603	269	160	92011	Welded eye Ø 8mm		Special	
81 261 42	Fiat	10	22	604	210	810		Plastic ball head		Plastic ball head	New 2009
81 261 43	Fiat	10	22	604	210	850		Plastic ball head		Plastic ball head	New 2009
81 156 18	Citroen	8	18	604	230	680	92076	M6x1,0 plastic ball head Ø 10mm	92076	M6x1,0 plastic ball head Ø 10mm	
81 261 37	Fiat	10	22	604	230	740		Plastic ball head		Plastic ball head	New 2009
81 372 01	Hyundai	8	18	604	244	320		Special	92076	M6x1,0 plastic ball head Ø 10mm	
81 372 02	Hyundai	8	18	604	244	320		Special	92076	M6x1,0 plastic ball head Ø 10mm	
81 554 28	Mazda	8	18	605	238	295		Special		Special	
81 554 29	Mazda	8	18	605	238	295		Special		Special	
81 275 64	Ford	10	22	605	245	635		Plastic ball head		Plastic ball head	New 2009
81 757 06	Rover	8	18	605	250	520	92076	M6x1,0 plastic ball head Ø 10mm	92018	M6x1,0 ball head Ø 10mm	
81 729 03	Renault	8	18	605	260	290	92076	M6x1,0 plastic ball head Ø 10mm	92076	M6x1,0 plastic ball head Ø 10mm	
80 042 00	Audi	8	18	608	269	400	92011	Welded eye Ø 8mm		Welded eye Ø 8mm	
81 925 28	Toyota	8	18	610	250	380	92022	M8x1,0 ball head Ø 10mm	92022	M8x1,0 ball head Ø 10mm	
81 925 29	Toyota	8	18	610	250	380	92022	M8x1,0 ball head Ø 10mm	92022	M8x1,0 ball head Ø 10mm	
81 554 26	Mazda	10	22	610	260	514		Special		Special	
81 554 27	Mazda	10	22	610	260	514		Special		Special	
81 634 61	Opel/Vauxhall	8	18	610	264	245		Plastic ball head		Plastic ball head	New 2009
81 156 24	Citroen	8	18	612	210	594	92076	M6x1,0 plastic ball head Ø 10mm	92076	M6x1,0 plastic ball head Ø 10mm	
81 667 25	Peugeot	8	18	612	210	594	92076	M6x1,0 plastic ball head Ø 10mm	92076	M6x1,0 plastic ball head Ø 10mm	
81 156 26	Citroen	8	18	612	242	349	92076	M6x1,0 plastic ball head Ø 10mm	92076	M6x1,0 plastic ball head Ø 10mm	
81 889 06	Suzuki	8	18	613	261	152		Special		Special	
81 889 07	Suzuki	8	18	613	261	152		Special		Special	
81 889 04	Suzuki	8	18	615	215	349		Special		Special	
81 889 05	Suzuki	8	18	615	215	349		Special		Special	
81 275 16	Ford	8	18	615	260	360	92012	M6x1,0 eye Ø 13,1mm	92012	M6x1,0 eye Ø 13,1mm	
81 275 17	Ford	8	18	615	260	300	92076	M6x1,0 plastic ball head Ø 10mm	92076	M6x1,0 plastic ball head Ø 10mm	
81 275 18	Ford	8	18	615	260	350	92076	M6x1,0 plastic ball head Ø 10mm	92076	M6x1,0 plastic ball head Ø 10mm	
81 634 07	Opel	8	18	615	260	460	92021	M8x1,0 ball head Ø 13mm	92021	M8x1,0 ball head Ø 13mm	
81 634 08	Opel	8	18	615	260	550	92021	M8x1,0 ball head Ø 13mm	92021	M8x1,0 ball head Ø 13mm	
81 883 04	Subaru	8	18	615	260	300	92076	M6x1,0 plastic ball head Ø 10mm	92076	M6x1,0 plastic ball head Ø 10mm	New 2009
81 946 19	Vauxhall	8	18	615	260	460	92021	M8x1,0 ball head Ø 13mm	92021	M8x1,0 ball head Ø 13mm	
81 946 20	Vauxhall	8	18	615	260	550	92021	M8x1,0 ball head Ø 13mm	92021	M8x1,0 ball head Ø 13mm	
80 007 00	Alfa Romeo	8	18	615	269	240	92010	Welded eye Ø 6,1mm	92010	Welded eye Ø 6,1mm	
81 442 00	Kia	10	22	617	244	371		Special		Special	
81 442 01	Kia	10	22	617	244	371		Special		Special	
81 925 35	Toyota	12,5	22	618	212	390		Special		Special	
81 925 36	Toyota	12,5	22	618	212	390		Special		Special	
81 554 16	Mazda	10	22	618	254	435		Special		Special	
81 554 17	Mazda	10	22	618	254	435		Special		Special	
81 883 04	Subaru	8	18	618	257	298		Ball head		Ball head	New 2009
81 554 30	Mazda	10	22	620	202	543		Special		Special	
81 554 31	Mazda	10	22	620	202	543		Special		Special	
81 925 05	Toyota	10	22	620	225	380	93037	M8x1,0 ball head Ø 10mm incl. Ball bolt	93037	M8x1,0 ball head Ø 10mm incl. Ball bolt	
81 925 06	Toyota	10	22	620	225	370	93037	M8x1,0 ball head Ø 10mm incl. Ball bolt	93037	M8x1,0 ball head Ø 10mm incl. Ball bolt	
81 925 07	Toyota	10	22	620	225	350	93037	M8x1,0 ball head Ø 10mm incl. Ball bolt	93037	M8x1,0 ball head Ø 10mm incl. Ball bolt	
81 729 02	Renault	8	18	620	271	300	92076	M6x1,0 plastic ball head Ø 10mm	92076	M6x1,0 plastic ball head Ø 10mm	
81 925 22	Toyota	10	22	622	202	700	93028	Special	93030	Special	
81 925 23	Toyota	10	22	622	202	700	93029	Special	93031	Special	
81 084 30	BMW	8	18	622	210	590		Plastic ball head		Plastic ball head	New 2009
81 275 62	Ford	8	18	623	220	575	92076	M6x1,0 plastic ball head Ø 10mm	92076	M6x1,0 plastic ball head Ø 10mm	New 2009
81 357 13	Honda	10	22	624	260	280		Special	93038	Special	
81 357 14	Honda	10	22	624	260	280		Special	93038	Special	
81 156 20	Citroen	8	18	625	250	360	92076	M6x1,0 plastic ball head Ø 10mm	92076	M6x1,0 plastic ball head Ø 10mm	
81 667 23	Peugeot	8	18	625	268	515	92078	M6x1,0 plastic ball head Ø 10mm	92078	M6x1,0 plastic ball head Ø 10mm	
81 261 21	Fiat	8	18	625	275	640	92076	M6x1,0 plastic ball head Ø 10mm	92076	M6x1,0 plastic ball head Ø 10mm	
81 156 34	Citroen	8	18	626	238	520	92076	M6x1,0 plastic ball head Ø 10mm	92076	M6x1,0 plastic ball head Ø 10mm	
81 667 50	Peugeot	8	18	626	238	520	92076	M6x1,0 plastic ball head Ø 10mm	92076	M6x1,0 plastic ball head Ø 10mm	New 2009
81 084 25	BMW	8	18	627	209	660		Plastic ball head		Plastic ball head	New 2009
81 261 41	Fiat	8	18	627	285	460		Plastic ball head		Plastic ball head	New 2009
81 925 37	Toyota	10	22	628	233	400		Special		Special	
81 925 38	Toyota	10	22	628	233	400		Special		Special	
81 156 23	Citroen	8	18	628	242	629	92076	M6x1,0 plastic ball head Ø 10mm	92076	M6x1,0 plastic ball head Ø 10mm	
81 667 24	Peugeot	8	18	628	242	629	92076	M6x1,0 plastic ball head Ø 10mm	92076	M6x1,0 plastic ball head Ø 10mm	
81 261 28	Fiat	8	18	630	237	490	92076	M6x1,0 plastic ball head Ø 10mm	92076	M6x1,0 plastic ball head Ø 10mm	
81 156 13	Citroen	10	22	630	240	683	92076	M6x1,0 plastic ball head Ø 10mm	92076	M6x1,0 plastic ball head Ø 10mm	
81 084 01	BMW	8	18	630	275	290	92076	M6x1,0 plastic ball head Ø 10mm	92076	M6x1,0 plastic ball head Ø 10mm	
81 261 20	Fiat	8	18	630	275	330	92077	M6x1,0 plastic ball head Ø 10mm (10°)	92076	M6x1,0 plastic ball head Ø 10mm	
81 667 46	Peugeot	8	18	631	270	455		Plastic ball head		Plastic ball head	New 2009

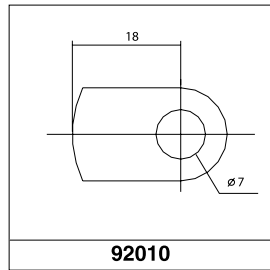
Lesjöfors	Application	Rod Ø	Cyl Ø	Extended length	Stroke	Force (N)	Piston Rod, end fitting Drawing reference (see page 70–72)	Cylinder, end fitting Drawing reference (see page 70–72)	Info
81 156 25	Citroen	8	18	632	210	594	92076 M6x1,0 plastic ball head Ø 10mm	92076 M6x1,0 plastic ball head Ø 10mm	
81 667 26	Peugeot	8	18	632	210	594	92076 M6x1,0 plastic ball head Ø 10mm	92076 M6x1,0 plastic ball head Ø 10mm	
81 925 26	Toyota	8	18	634	250	200	93037 M8x1,0 ball head Ø 10mm incl. Ball bolt	93000 Special	
81 925 27	Toyota	8	18	634	250	200	93037 M8x1,0 ball head Ø 10mm incl. Ball bolt	93001 Special	
81 925 51	Toyota	10	22	635	217	460	Special	Special	
81 925 52	Toyota	10	22	635	217	460	Special	Special	
81 620 09	Nissan	8	18	635	230	180	93037 M8x1,0 ball head Ø 10mm incl. Ball bolt	93037 M8x1,0 ball head Ø 10mm incl. Ball bolt	
81 357 21	Honda	8	18	635	234	197	Special	Special	
81 667 05	Peugeot	8	18	635	250	360	92076 M6x1,0 plastic ball head Ø 10mm	92076 M6x1,0 plastic ball head Ø 10mm	
81 925 08	Toyota	10	22	635	282	330	93037 M8x1,0 ball head Ø 10mm incl. Ball bolt	93037 M8x1,0 ball head Ø 10mm incl. Ball bolt	
81 156 45	Citroen	8	18	636	260	595	Plastic ball head	Plastic ball head	New 2009
81 156 53	Citroen	8	18	636	260	565	Plastic ball head	Plastic ball head	New 2009
81 883 00	Subaru	10	22	636	260	370	Ball head	Special	New 2009
81 883 01	Subaru	10	22	636	260	370	Ball head	Special	New 2009
81 357 29	Honda	8	18	639	258	465	Plastic ball head	Plastic ball head	New 2009
81 667 00	Peugeot	8	18	640	246	360	92076 M6x1,0 plastic ball head Ø 10mm	92076 M6x1,0 plastic ball head Ø 10mm	
81 950 01	Volkswagen	8	18	640	260	390	92076 M6x1,0 plastic ball head Ø 10mm	92011 Welded eye Ø 8mm	
81 568 07	Mercedes	8	18	640	265	510	92076 M6x1,0 plastic ball head Ø 10mm	92077 M6x1,0 plastic ball head Ø 10mm (10')	
81 156 03	Citroen	8	18	640	280	300	92076 M6x1,0 plastic ball head Ø 10mm	92011 Welded eye Ø 8mm	
81 156 01	Citroen	8	18	640	282	300	92011 Welded eye Ø 8mm	92011 Welded eye Ø 8mm	
81 667 15	Peugeot	8	18	640	350	470	92076 M6x1,0 plastic ball head Ø 10mm	92076 M6x1,0 plastic ball head Ø 10mm	
81 634 57	Opel/Vauxhall	8	18	643	250	475	Special	Special	New 2009
81 634 58	Opel/Vauxhall	8	18	643	250	475	Special	Special	New 2009
81 889 16	Suzuki	8	18	643	250	475	Special	Special	New 2009
81 889 17	Suzuki	8	18	643	250	475	Special	Special	New 2009
81 634 44	Opel	10	22	644	217	390	Special	Special	
81 634 45	Opel	10	22	644	217	390	Special	Special	
81 592 08	Mitsubishi	12,5	22	645	250	340	Special	Special	
81 592 10	Mitsubishi	12,5	22	645	250	340	Special	Special	
81 042 11	Audi	8	18	645	275	450	92076 M6x1,0 plastic ball head Ø 10mm	92076 M6x1,0 plastic ball head Ø 10mm	
81 156 04	Citroen	8	18	648	280	310	92076 M6x1,0 plastic ball head Ø 10mm	92011 Welded eye Ø 8mm	
81 554 06	Mazda	10	22	649	282	400	93037 M8x1,0 ball head Ø 10mm incl. Ball bolt	93000 Special	
81 554 07	Mazda	10	22	649	282	400	93037 M8x1,0 ball head Ø 10mm incl. Ball bolt	93001 Special	
81 156 05	Citroen	8	18	650	260	460	92076 M6x1,0 plastic ball head Ø 10mm	92076 M6x1,0 plastic ball head Ø 10mm	
81 592 00	Mitsubishi	8	18	650	260	460	93035 M6x1,0 ball head Ø 10mm incl. Ball bolt	93035 M6x1,0 ball head Ø 10mm incl. Ball bolt	
80 667 02	Peugeot	8	18	650	275	190	92078 M6x1,0 plastic ball head Ø 10mm	92078 M6x1,0 plastic ball head Ø 10mm	
80 634 03	Opel	8	18	650	280	250	92077 M6x1,0 plastic ball head Ø 10mm (10')	92076 M6x1,0 plastic ball head Ø 10mm	
81 156 02	Citroen	8	18	655	282	400	92011 Welded eye Ø 8mm	92011 Welded eye Ø 8mm	
81 697 03	Porsche	8	18	655	291	270	92076 M6x1,0 plastic ball head Ø 10mm	92076 M6x1,0 plastic ball head Ø 10mm	
81 156 29	Citroen	8	18	657	275	404	92078 M6x1,0 plastic ball head Ø 10mm	92078 M6x1,0 plastic ball head Ø 10mm	
81 925 12	Toyota	10	22	660	282	350	93037 M8x1,0 ball head Ø 10mm incl. Ball bolt	93008 Special	
81 925 13	Toyota	10	22	660	282	350	93037 M8x1,0 ball head Ø 10mm incl. Ball bolt	93009 Special	
81 357 09	Honda	8	18	664	230	375	93037 M8x1,0 ball head Ø 10mm incl. Ball bolt	93022 Special	
81 554 00	Mazda	8	18	665	200	400	93037 M8x1,0 ball head Ø 10mm incl. Ball bolt	93000 Special	
81 554 01	Mazda	8	18	665	200	400	93037 M8x1,0 ball head Ø 10mm incl. Ball bolt	93001 Special	
81 554 10	Mazda	8	18	665	268	300	92022 M8x1,0 ball head Ø 10mm	Special	
81 554 11	Mazda	8	18	665	268	300	92022 M8x1,0 ball head Ø 10mm	Special	
81 156 35	Citroen	8	18	665	279	390	Special	Special	
81 568 08	Mercedes	10	22	666	256	755	92076 M6x1,0 plastic ball head Ø 10mm	92076 M6x1,0 plastic ball head Ø 10mm	
80 042 01	Audi	8	18	667	299	375	92011 Welded eye Ø 8mm	92011 Welded eye Ø 8mm	
80 007 06	Alfa Romeo	8	18	668	285	250	Plastic ball head	Plastic ball head	New 2009
80 261 01	Fiat	8	18	670	278	240	92025 M6x1,0 ball head Ø 8mm	92025 M6x1,0 ball head Ø 8mm	
81 925 02	Toyota	10	22	670	282	300	93037 M8x1,0 ball head Ø 10mm incl. Ball bolt	93037 M8x1,0 ball head Ø 10mm incl. Ball bolt	
80 261 03	Fiat	8	18	670	289	250	92025 M6x1,0 ball head Ø 8mm	92025 M6x1,0 ball head Ø 8mm	
81 778 04	Saab	8	18	670	299	345	92011 Welded eye Ø 8mm	92011 Welded eye Ø 8mm	
81 778 10	Saab	8	18	670	299	320	92011 Welded eye Ø 8mm	92011 Welded eye Ø 8mm	
80 084 19	BMW	8	18	672	255	180	Plastic ball head	Plastic ball head	New 2009
80 568 04	Mercedes	8	18	673	294	260	92076 M6x1,0 plastic ball head Ø 10mm	92076 M6x1,0 plastic ball head Ø 10mm	
80 568 12	Mercedes	8	18	674	295	300	Plastic ball head	Plastic ball head	New 2009
80 568 13	Mercedes	8	18	675	290	330	Plastic ball head	Plastic ball head	New 2009
80 007 01	Alfa Romeo	8	18	675	295	210	92025 M6x1,0 ball head Ø 8mm	92025 M6x1,0 ball head Ø 8mm	
81 275 70	Ford	8	18	677	293	480	Plastic ball head	Plastic ball head	New 2009
80 950 01	Volkswagen	8	18	679	275	270	92077 M6x1,0 plastic ball head Ø 10mm (10')	92076 M6x1,0 plastic ball head Ø 10mm	
81 357 25	Honda	8	18	683	287	390	92018 M6x1,0 ball head Ø 10mm	92018 M6x1,0 ball head Ø 10mm	
81 757 02	Rover	8	18	684	295	360	92076 M6x1,0 plastic ball head Ø 10mm	92076 M6x1,0 plastic ball head Ø 10mm	
81 757 03	Rover	8	18	684	295	390	92076 M6x1,0 plastic ball head Ø 10mm	92076 M6x1,0 plastic ball head Ø 10mm	
81 620 01	Nissan	10	22	685	225	330	93037 M8x1,0 ball head Ø 10mm incl. Ball bolt	93037 M8x1,0 ball head Ø 10mm incl. Ball bolt	
81 950 25	Volkswagen	10	27,4	685	262	710	92077 M6x1,0 plastic ball head Ø 10mm (10')	92077 M6x1,0 plastic ball head Ø 10mm (10')	
81 950 26	Volkswagen	10	27,4	685	262	830	92077 M6x1,0 plastic ball head Ø 10mm (10')	92077 M6x1,0 plastic ball head Ø 10mm (10')	
80 042 05	Audi	8	18	685	295	260	92076 M6x1,0 plastic ball head Ø 10mm	92011 Welded eye Ø 8mm	
80 568 10	Mercedes	8	18	686	305	230	Plastic ball head	Plastic ball head	New 2009

Lesjöfors	Application	Rod Ø	Cyl Ø	Extended length	Stroke	Force (N)	Piston Rod, end fitting Drawing reference (see page 70–72)	Cylinder, end fitting Drawing reference (see page 70–72)	Info	
81 442 04	Kia	8	18	687	278	530	Special	Special		
81 554 34	Mazda	10	22	687	278	530	Special	Special	New 2009	
81 729 25	Renault	10	18	688	295	630	92078	M6x1,0 plastic ball head Ø 10mm	M6x1,0 plastic ball head Ø 10mm	
80 667 01	Peugeot	8	18	689	300	200	92078	M6x1,0 plastic ball head Ø 10mm	M6x1,0 plastic ball head Ø 10mm	
81 357 27	Honda	10	22	690	217	389	Special	Special		
81 357 28	Honda	10	22	690	217	389	Special	Special		
81 829 03	Seat	8	18	690	299	220	92011	Welded eye Ø 8mm	92011	Welded eye Ø 8mm
81 889 08	Suzuki	10	22	693	293	337	Special	Special		
81 889 09	Suzuki	10	22	693	293	337	Special	Special		
81 568 09	Mercedes	8	18	694	283	640	92076	M6x1,0 plastic ball head Ø 10mm	92076	M6x1,0 plastic ball head Ø 10mm
80 042 03	Audi	8	18	694	314	130	92011	Welded eye Ø 8mm	92011	Welded eye Ø 8mm
81 620 00	Nissan	10	22	697	282	300	93037	M8x1,0 ball head Ø 10mm incl. Ball bolt	93023	Special
81 634 22	Opel	8	18	698	260	290	92077	M6x1,0 plastic ball head Ø 10mm (10°)	92077	M6x1,0 plastic ball head Ø 10mm (10°)
81 946 28	Vauxhall	8	18	698	260	290	92077	M6x1,0 plastic ball head Ø 10mm (10°)	92077	M6x1,0 plastic ball head Ø 10mm (10°)
81 554 04	Mazda	8	18	698	280	300	93037	M8x1,0 ball head Ø 10mm incl. Ball bolt	93000	Special
81 554 05	Mazda	8	18	698	280	300	93037	M8x1,0 ball head Ø 10mm incl. Ball bolt	93001	Special
81 156 47	Citroen	10	22	700	175	1050	Plastic ball head	Plastic ball head		New 2009
81 261 47	Fiat	10	22	700	175	1050	Plastic ball head	Plastic ball head		New 2009
81 667 34	Peugeot	10	22	700	175	1050	Plastic ball head	Plastic ball head		New 2009
81 925 16	Toyota	10	27,4	700	202	850	92009	Special eye Ø 7mm	92009	Special eye Ø 7mm
81 156 22	Citroen	8	18	700	250	664	92076	M6x1,0 plastic ball head Ø 10mm	92076	M6x1,0 plastic ball head Ø 10mm
81 667 27	Peugeot	8	18	700	250	664	92076	M6x1,0 plastic ball head Ø 10mm	92076	M6x1,0 plastic ball head Ø 10mm
81 729 00	Renault	8	18	700	295	250	92076	M6x1,0 plastic ball head Ø 10mm	92076	M6x1,0 plastic ball head Ø 10mm
81 857 01	Skoda	8	18	700	295	325	92076	M6x1,0 plastic ball head Ø 10mm	92076	M6x1,0 plastic ball head Ø 10mm
81 778 05	Saab	8	18	700	299	345	92011	Welded eye Ø 8mm	92011	Welded eye Ø 8mm
81 778 06	Saab	8	18	700	299	400	92011	Welded eye Ø 8mm	92011	Welded eye Ø 8mm
81 634 23	Opel	8	18	703	260	330	92076	M6x1,0 plastic ball head Ø 10mm	92076	M6x1,0 plastic ball head Ø 10mm
81 946 05	Vauxhall	8	18	703	260	330	92077	M6x1,0 plastic ball head Ø 10mm (10°)	92077	M6x1,0 plastic ball head Ø 10mm (10°)
81 634 20	Opel	10	22	705	284	540	92021	M8x1,0 ball head Ø 13mm	92021	M8x1,0 ball head Ø 13mm
81 634 21	Opel	10	22	705	284	610	92021	M8x1,0 ball head Ø 13mm	92021	M8x1,0 ball head Ø 13mm
81 946 04	Vauxhall	10	22	705	284	610	92021	M8x1,0 ball head Ø 13mm	92021	M8x1,0 ball head Ø 13mm
81 946 27	Vauxhall	10	22	705	284	540	92021	M8x1,0 ball head Ø 13mm	92021	M8x1,0 ball head Ø 13mm
80 042 17	Audi	8	18	712	320	250	92077	M6x1,0 plastic ball head Ø 10mm (10°)	92076	M6x1,0 plastic ball head Ø 10mm
80 042 16	Audi	8	18	715	315	330	92077	M6x1,0 plastic ball head Ø 10mm (10°)	92076	M6x1,0 plastic ball head Ø 10mm
80 084 16	BMW	8	18	715	315	160	Plastic ball head	Plastic ball head		New 2009
81 950 50	Volkswagen	10	22	718	280	870	Plastic ball head	Plastic ball head		New 2009
80 042 09	Audi	8	18	720	307	310	92015	M8x1,0 eye Ø 8,2mm	92015	M8x1,0 eye Ø 8,2mm
81 925 42	Toyota	8	18	720	310	280	Special	93035	M6x1,0 ball head Ø 10mm incl. Ball bolt	
81 925 45	Toyota	8	18	720	310	280	Special	93035	M6x1,0 ball head Ø 10mm incl. Ball bolt	
80 042 18	Audi	8	18	721	320	180	92077	M6x1,0 plastic ball head Ø 10mm (10°)	92076	M6x1,0 plastic ball head Ø 10mm
80 857 00	Skoda	8	18	722	320	350	Plastic ball head	Plastic ball head		New 2009
80 042 14	Audi	8	18	722	325	280	92077	M6x1,0 plastic ball head Ø 10mm (10°)	92077	M6x1,0 plastic ball head Ø 10mm (10°)
80 950 04	Volkswagen	8	18	723	320	300	92077	M6x1,0 plastic ball head Ø 10mm (10°)	92076	M6x1,0 plastic ball head Ø 10mm
81 729 30	Renault	10	22	724	203	740	92076	M6x1,0 plastic ball head Ø 10mm	92076	M6x1,0 plastic ball head Ø 10mm
81 729 31	Renault	10	22	724	203	830	92076	M6x1,0 plastic ball head Ø 10mm	92076	M6x1,0 plastic ball head Ø 10mm
81 634 38	Opel	10	22	725	230	820	92076	M6x1,0 plastic ball head Ø 10mm	92076	M6x1,0 plastic ball head Ø 10mm
81 946 38	Vauxhall	10	22	725	230	820	92076	M6x1,0 plastic ball head Ø 10mm	92076	M6x1,0 plastic ball head Ø 10mm
81 357 26	Honda	10	22	725	235	371	Special	Special		
81 084 05	BMW	10	22	725	282	360	92076	M6x1,0 plastic ball head Ø 10mm	92005	M8x1,0 Special eye Ø 11mm, left
81 084 06	BMW	10	22	725	282	360	92076	M6x1,0 plastic ball head Ø 10mm	92006	M8x1,0 Special eye Ø 11mm, right
80 950 00	Volkswagen	8	18	725	327	280	92077	M6x1,0 plastic ball head Ø 10mm (10°)	92022	M8x1,0 ball head Ø 10mm
81 634 39	Opel	10	22	727	225	819	92076	M6x1,0 plastic ball head Ø 10mm	92076	M6x1,0 plastic ball head Ø 10mm
81 946 39	Vauxhall	10	22	727	225	819	92076	M6x1,0 plastic ball head Ø 10mm	92076	M6x1,0 plastic ball head Ø 10mm
80 950 05	Volkswagen	8	18	729	320	240	92077	M6x1,0 plastic ball head Ø 10mm (10°)	92076	M6x1,0 plastic ball head Ø 10mm
80 958 05	Volvo	8	18	729	320	140	Plastic ball head	Plastic ball head		New 2009
80 950 11	Volkswagen	8	18	732	320	350	Plastic ball head	Plastic ball head		New 2009
81 634 14	Opel	8	18	735	327	330	92076	M6x1,0 plastic ball head Ø 10mm	92076	M6x1,0 plastic ball head Ø 10mm
81 946 00	Vauxhall	8	18	735	327	330	92076	M6x1,0 plastic ball head Ø 10mm	92076	M6x1,0 plastic ball head Ø 10mm
81 442 10	Kia	10	22	736	340	725	Plastic ball head	Plastic ball head		New 2009
81 357 20	Honda	8	18	738	293	138	Special	Special		
80 778 05	Saab	8	18	740	310	290	92077	M6x1,0 plastic ball head Ø 10mm (10°)	92078	M6x1,0 plastic ball head Ø 10mm
81 925 18	Toyota	10	27,4	745	240	800	92009	Special eye Ø 7mm	92009	Special eye Ø 7mm
80 958 01	Volvo	8	18	749	327	300	92078	M6x1,0 plastic ball head Ø 10mm	92078	M6x1,0 plastic ball head Ø 10mm
81 950 46	Volkswagen	10	27,4	756	218	970	92076	M6x1,0 plastic ball head Ø 10mm	92077	M6x1,0 plastic ball head Ø 10mm (10°)
80 042 20	Audi	8	18	762	340	340	Plastic ball head	Plastic ball head		New 2009
80 778 04	Saab	8	18	763	350	200	92076	M6x1,0 plastic ball head Ø 10mm	92076	M6x1,0 plastic ball head Ø 10mm
81 620 12	Nissan	8	18	765	327	235	92076	M6x1,0 plastic ball head Ø 10mm	92076	M6x1,0 plastic ball head Ø 10mm
81 925 03	Toyota	10	22	770	305	270	93037	M8x1,0 ball head Ø 10mm incl. Ball bolt	93037	M8x1,0 ball head Ø 10mm incl. Ball bolt
81 925 04	Toyota	10	22	770	305	370	93037	M8x1,0 ball head Ø 10mm incl. Ball bolt	93037	M8x1,0 ball head Ø 10mm incl. Ball bolt
81 568 03	Mercedes	10	27,4	773	329	630	92076	M6x1,0 plastic ball head Ø 10mm	92076	M6x1,0 plastic ball head Ø 10mm
81 620 31	Nissan	10	22	773	330	500	92078	M6x1,0 plastic ball head Ø 10mm	92078	M6x1,0 plastic ball head Ø 10mm

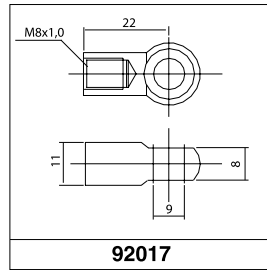
Lesjöfors	Application	Rod Ø	Cyl Ø	Extended length	Stroke	Force (N)	Piston Rod, end fitting Drawing reference (see page 70–72)	Cylinder, end fitting Drawing reference (see page 70–72)	Info
81 442 07	Kia	8	18	783	311	180	Ball head incl. Ball bolt	Special	
81 442 08	Kia	8	18	783	311	180	Ball head incl. Ball bolt	Special	
80 568 00	Mercedes	8	18	783	359	280	92011 Welded eye Ø 8mm		
81 372 03	Hyundai	12,5	27,4	805	240	720	Special	Special	
81 372 04	Hyundai	12,5	27,4	805	240	720	Special	Special	
81 261 05	Fiat	10	22	805	357	400	92007 Special eye Ø 8mm	92016 M8x1,0 eye Ø 8,2mm	
80 042 04	Audi	10	22	810	323	280	92011 Welded eye Ø 8mm	92011 Welded eye Ø 8mm	
81 620 10	Nissan	10	22	820	327	200	93037 M8x1,0 ball head Ø 10mm incl. Ball bolt	92000 Welded eye Ø 13mm	
81 620 11	Nissan	10	22	820	327	200	93037 M8x1,0 ball head Ø 10mm incl. Ball bolt	92000 Welded eye Ø 13mm	
81 925 20	Toyota	10	22	823	282	530	93037 M8x1,0 ball head Ø 10mm incl. Ball bolt	93006 Special	
80 042 07	Audi	10	22	825	380	410	92076 M6x1,0 plastic ball head Ø 10mm	Thread Thread	
81 634 40	Opel	8	18	828	327	355	92076 M6x1,0 plastic ball head Ø 10mm	92076 M6x1,0 plastic ball head Ø 10mm	
81 946 40	Vauxhall	8	18	828	327	355	92076 M6x1,0 plastic ball head Ø 10mm	92076 M6x1,0 plastic ball head Ø 10mm	
81 946 45	Vauxhall	10	22	830	225	750	92076 M6x1,0 plastic ball head Ø 10mm	92076 M6x1,0 plastic ball head Ø 10mm	
81 156 12	Citroen	8	18	837	327	330	92076 M6x1,0 plastic ball head Ø 10mm	92076 M6x1,0 plastic ball head Ø 10mm	
81 275 53	Ford	10	22	850	350	670	92076 M6x1,0 plastic ball head Ø 10mm	92076 M6x1,0 plastic ball head Ø 10mm	
81 261 38	Fiat	10	22	866	360	370	Plastic ball head	Plastic ball head	New 2009
81 829 17	Seat	10	22	869	375	240	Plastic ball head	Plastic ball head	New 2009
80 568 11	Mercedes	10	22	890	403	260	Plastic ball head	Special	New 2009
81 634 52	Opel	10	22	905	315	720	92076 M6x1,0 plastic ball head Ø 10mm	92076 M6x1,0 plastic ball head Ø 10mm	
81 634 33	Opel	8	18	930	300	360	92012 M6x1,0 eye Ø 13,1mm	92077 M6x1,0 plastic ball head Ø 10mm (10')	
81 634 34	Opel	8	18	930	300	430	92012 M6x1,0 eye Ø 13,1mm	92077 M6x1,0 plastic ball head Ø 10mm (10')	
80 042 08	Audi	10	22	943	400	380	92076 M6x1,0 plastic ball head Ø 10mm	92015 M8x1,0 eye Ø 8,2mm	
81 007 04	Alfa Romeo	10	22	996	377	260	92071 Welded eye Ø 6mm	92071 Welded eye Ø 6mm	



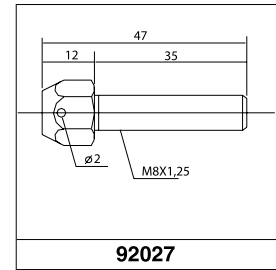
**92000**



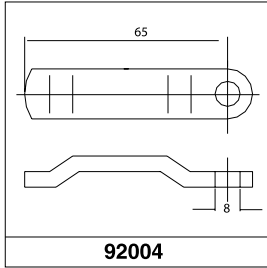
**92010**



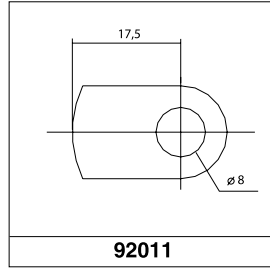
**92017**



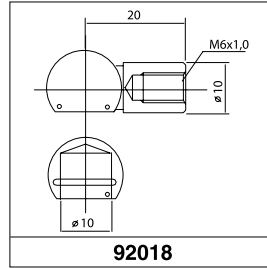
**92027**



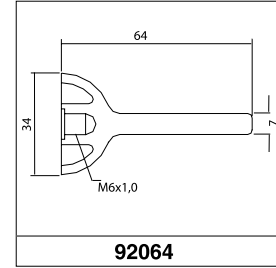
**92004**



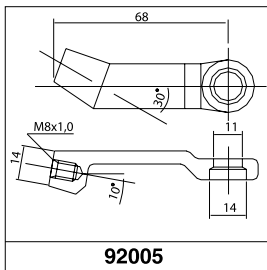
**92011**



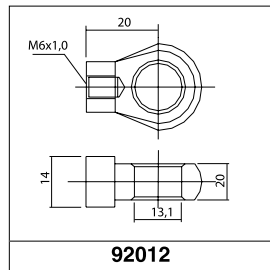
**92018**



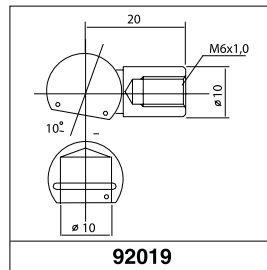
**92064**



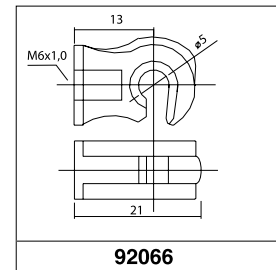
**92005**



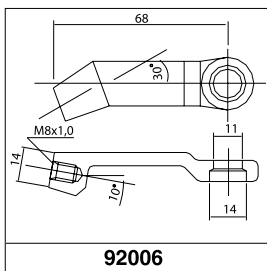
**92012**



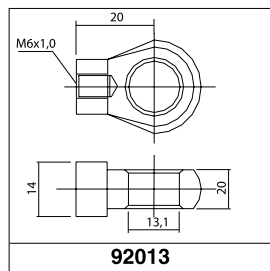
**92019**



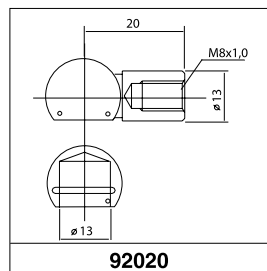
**92066**



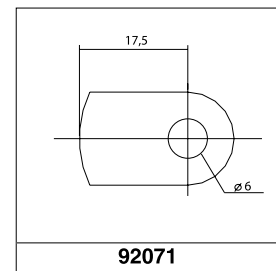
**92006**



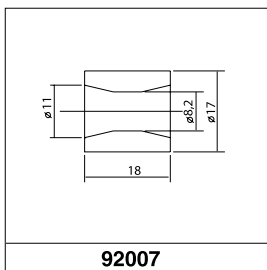
**92013**



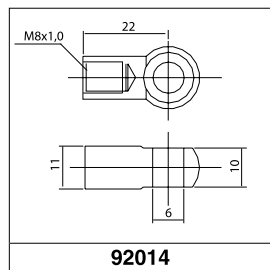
**92020**



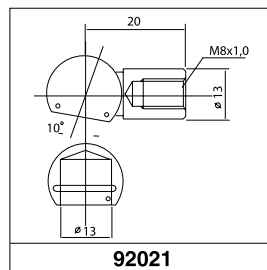
**92071**



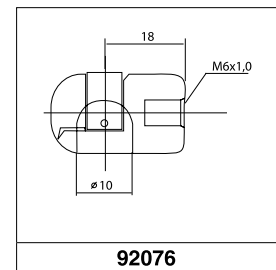
**92007**



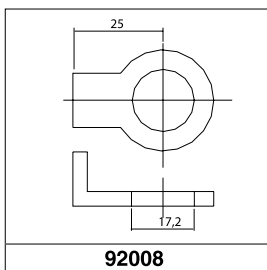
**92014**



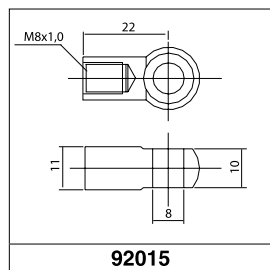
**92021**



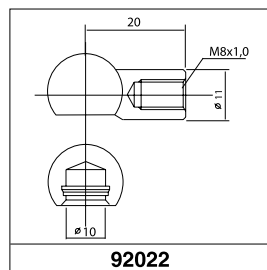
**92076**



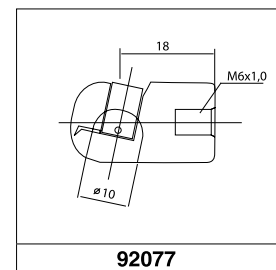
**92008**



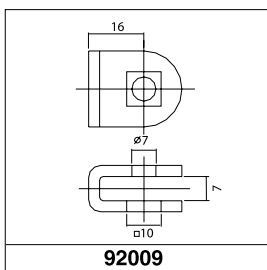
**92015**



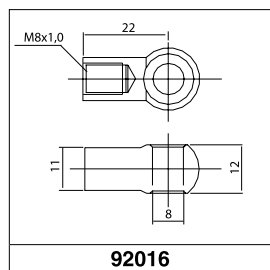
**92022**



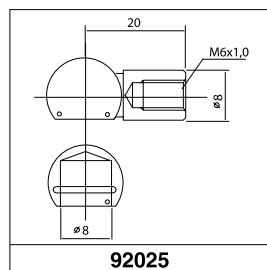
**92077**



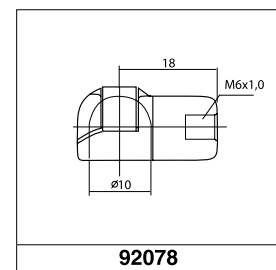
**92009**



**92016**

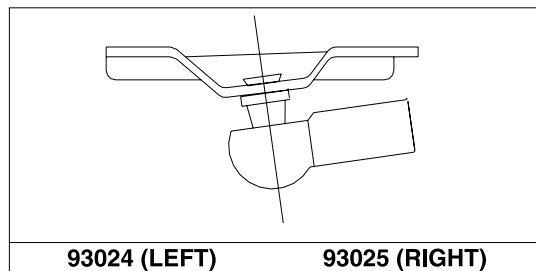
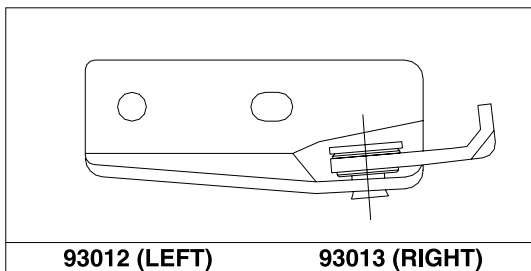
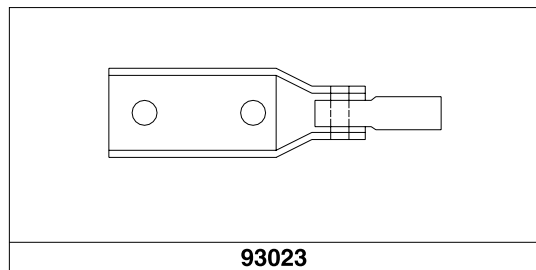
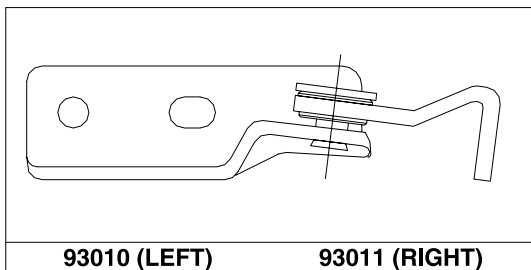
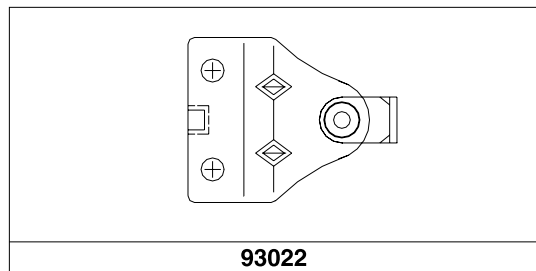
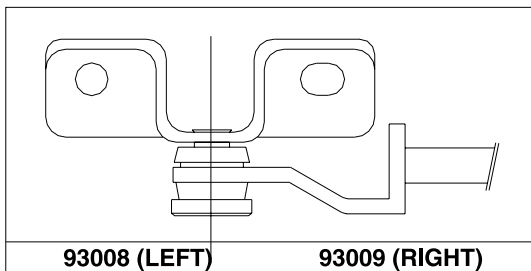
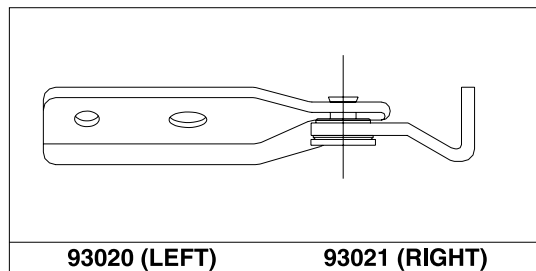
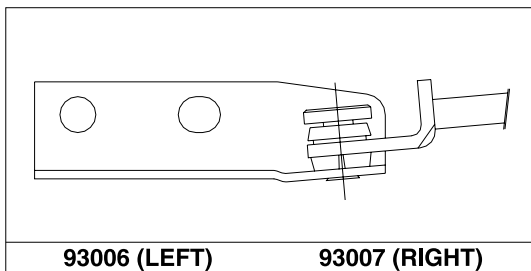
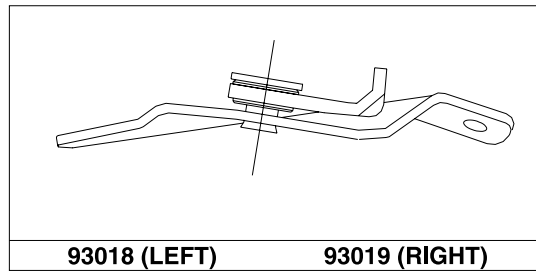
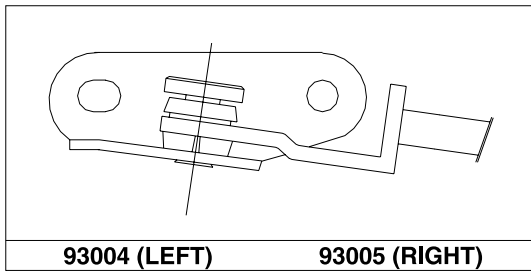
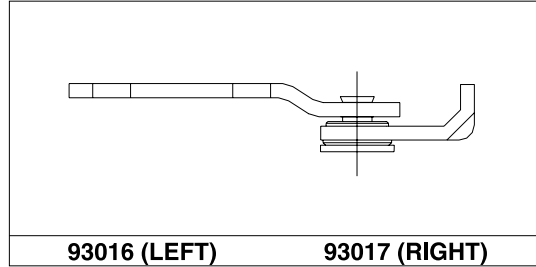
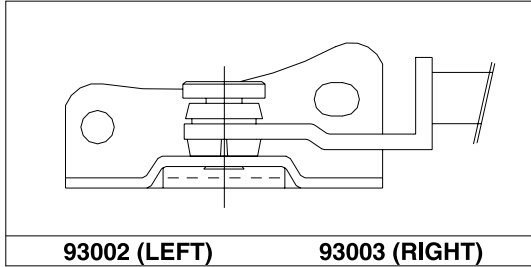
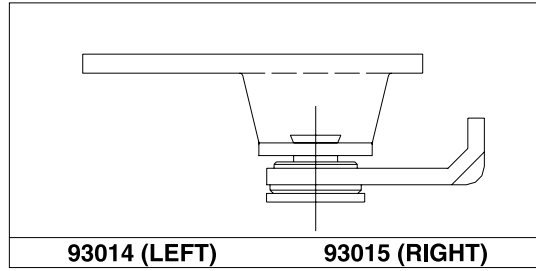
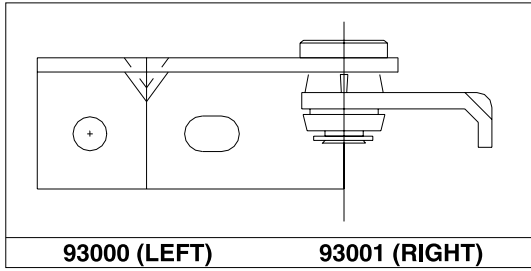


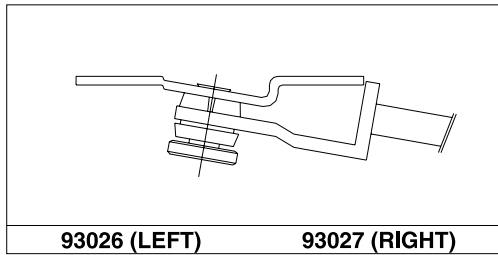
**92025**



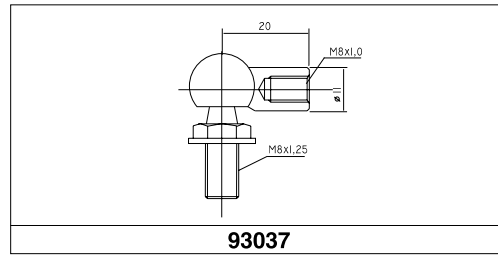
**92078**



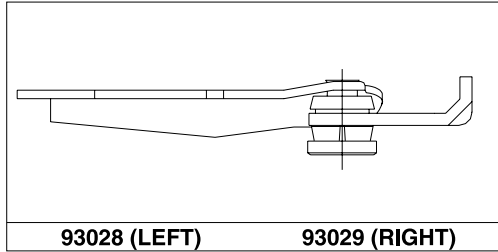




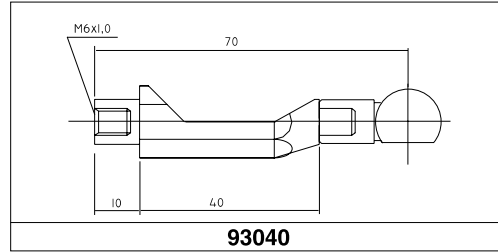
**93026 (LEFT) 93027 (RIGHT)**



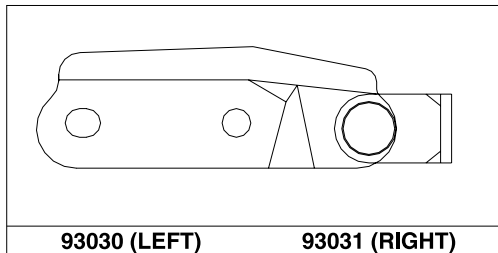
**93037**



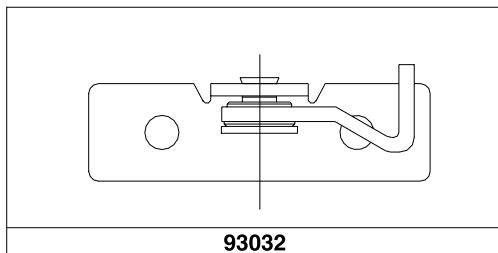
**93028 (LEFT) 93029 (RIGHT)**



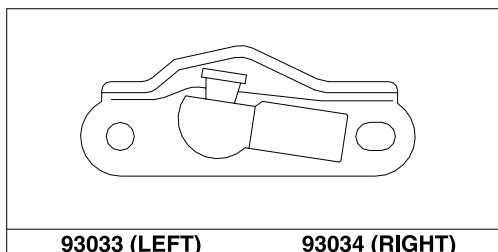
**93040**



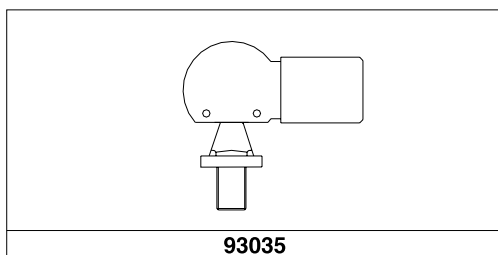
**93030 (LEFT) 93031 (RIGHT)**



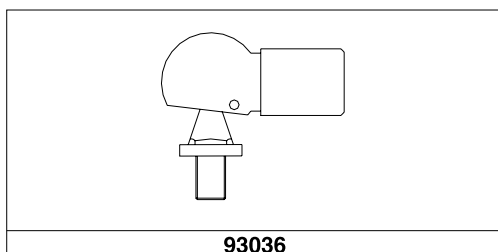
**93032**



**93033 (LEFT) 93034 (RIGHT)**



**93035**

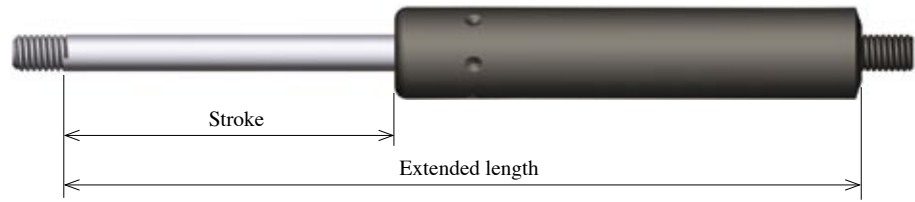


**93036**

## Type 15-6

**Piston rod Ø: 6 mm**  
**Cylinder Ø: 15 mm**  
**Spring force: 50-400N**  
**Thread: M6x1,0**

*End fittings are ordered separately, see pages 77-78*

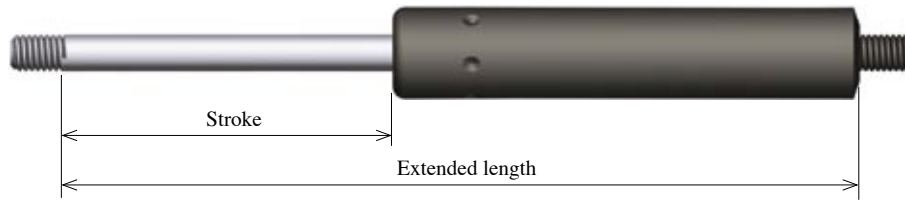


Part no.	Extended Length	Stroke	Force (N)	Weight (kg)	Part no.	Extended Length	Stroke	Force (N)	Weight (kg)
9002	78	20	50	0,04	9042	278	120	50	0,10
9003	78	20	100	0,04	9043	278	120	100	0,10
9004	78	20	150	0,04	9044	278	120	150	0,10
9005	78	20	200	0,04	9045	278	120	200	0,10
9006	78	20	250	0,04	9046	278	120	250	0,10
9007	78	20	300	0,04	9047	278	120	300	0,10
9008	78	20	350	0,04	9048	278	120	350	0,10
9009	78	20	400	0,04	9049	278	120	400	0,10
9010	118	40	50	0,06	9050	338	150	50	0,12
9011	118	40	100	0,06	9051	338	150	100	0,12
9012	118	40	150	0,06	9052	338	150	150	0,12
9013	118	40	200	0,06	9053	338	150	200	0,12
9014	118	40	250	0,06	9054	338	150	250	0,12
9015	118	40	300	0,06	9055	338	150	300	0,12
9016	118	40	350	0,06	9056	338	150	350	0,12
9017	118	40	400	0,06	9057	338	150	400	0,12
9018	157	60	50	0,07					
9019	157	60	100	0,07					
9020	157	60	150	0,07					
9021	157	60	200	0,07					
9022	157	60	250	0,07					
9023	157	60	300	0,07					
9024	157	60	350	0,07					
9025	157	60	400	0,07					
9026	197	80	50	0,08					
9027	197	80	100	0,08					
9028	197	80	150	0,08					
9029	197	80	200	0,08					
9030	197	80	250	0,08					
9031	197	80	300	0,08					
9032	197	80	350	0,08					
9033	197	80	400	0,08					
9034	235	100	50	0,09					
9035	235	100	100	0,09					
9036	235	100	150	0,09					
9037	235	100	200	0,09					
9038	235	100	250	0,09					
9039	235	100	300	0,09					
9040	235	100	350	0,09					
9041	235	100	400	0,09					

## Type 18–8

**Piston rod Ø: 8 mm**  
**Cylinder Ø: 18 mm**  
**Spring force: 100–750N**  
**Thread: M6x1,0**

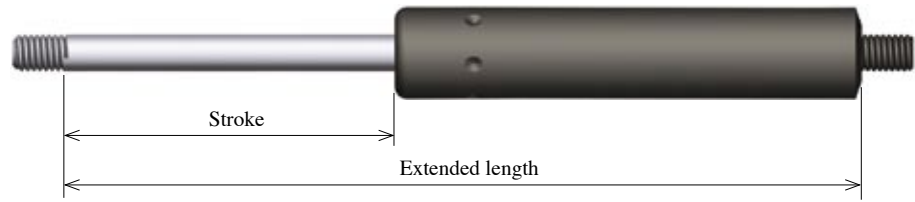
*End fittings are ordered separately, see pages 77–78*



Part no.	Extended Length	Stroke	Force (N)	Weight (kg)	Part no.	Extended Length	Stroke	Force (N)	Weight (kg)
9114	168	60	500	0,11	9134	489	220	100	0,26
9115	168	60	600	0,11	9135	489	220	150	0,26
9116	168	60	750	0,11	9136	489	220	200	0,26
4831	201	80	400	0,13	9137	489	220	250	0,26
4511	201	80	500	0,13	9138	489	220	300	0,26
4512	201	80	600	0,13	9139	489	220	350	0,26
9117	248	100	500	0,15	9140	489	220	400	0,26
9118	248	100	600	0,15	9141	489	220	500	0,26
9119	248	100	750	0,15	9142	489	220	600	0,26
4516	293	125	100	0,16	9143	489	220	750	0,26
4517	293	125	150	0,16	9144	547	250	100	0,29
4518	293	125	200	0,16	9145	547	250	150	0,29
4553	293	125	300	0,16	9146	547	250	200	0,29
4519	293	125	400	0,16	9147	547	250	250	0,29
4520	293	125	500	0,16	9148	547	250	300	0,29
4521	293	125	600	0,16	9149	547	250	350	0,29
9120	328	140	400	0,19	9150	547	250	400	0,29
9121	328	140	500	0,19	9151	547	250	500	0,29
9122	328	140	600	0,19	9152	547	250	600	0,29
9123	328	140	750	0,19	9153	547	250	750	0,29
9338	367	160	100	0,20					
9339	367	160	150	0,20					
9340	367	160	200	0,20					
9341	367	160	250	0,20					
9342	367	160	300	0,20					
9343	367	160	350	0,20					
9344	367	160	400	0,20					
9345	367	160	500	0,20					
9346	367	160	600	0,20					
9347	367	160	750	0,20					
9124	447	200	100	0,24					
9125	447	200	150	0,24					
9126	447	200	200	0,24					
9127	447	200	250	0,24					
9128	447	200	300	0,24					
9129	447	200	350	0,24					
9130	447	200	400	0,24					
9131	447	200	500	0,24					
9132	447	200	600	0,24					
9133	447	200	750	0,24					

## Type 22–10

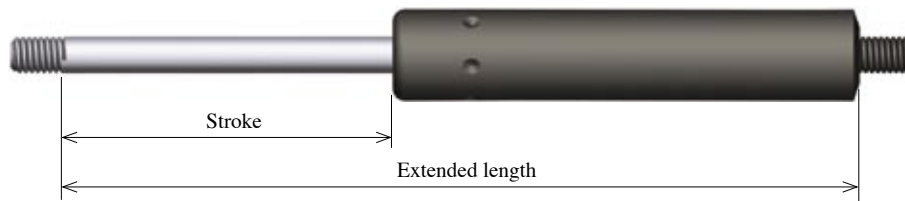
**Piston rod Ø: 10 mm**  
**Cylinder Ø: 22 mm**  
**Spring force: 150–1200N**  
**Thread: M8x1,25**  
*End fittings are ordered separately, see pages 79–80*




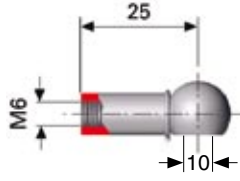

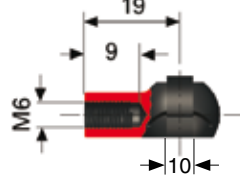

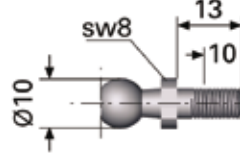

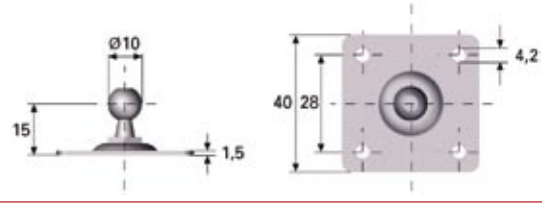

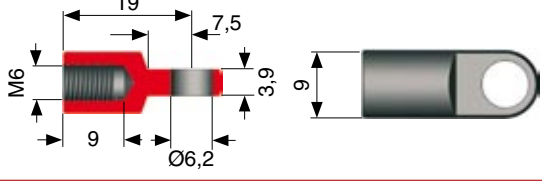

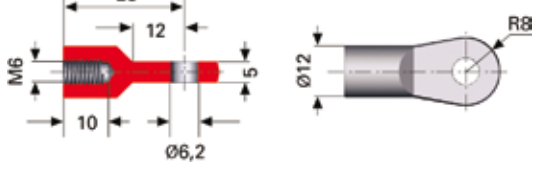

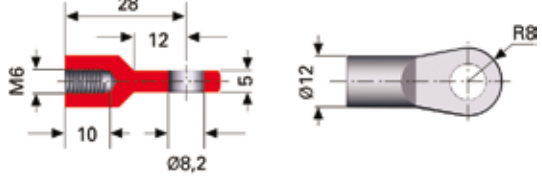

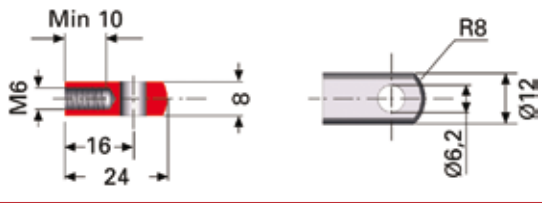

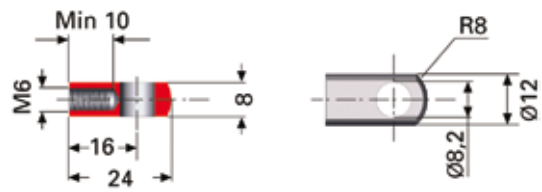
Part no.	Extended Length	Stroke	Force (N)	Weight (kg)	Part no.	Extended Length	Stroke	Force (N)	Weight (kg)
4542	218	85	700	0,21	9258	848	400	150	0,65
4543	218	85	850	0,21	9259	848	400	200	0,65
4544	218	85	1000	0,21	9260	848	400	250	0,65
					9261	848	400	300	0,65
9220	248	100	900	0,23	9262	848	400	350	0,65
9221	248	100	1000	0,23	9263	848	400	400	0,65
9222	248	100	1200	0,23	9264	848	400	500	0,65
					9265	848	400	600	0,65
8131	293	125	700	0,26	9266	848	400	700	0,65
8132	293	125	850	0,26	9267	848	400	800	0,65
8133	293	125	1000	0,26	9268	848	400	900	0,65
					9269	848	400	1000	0,65
9223	348	150	900	0,30	9270	848	400	1200	0,65
9224	348	150	1000	0,30					
9225	348	150	1200	0,30	9271	1048	500	150	0,80
					9272	1048	500	200	0,80
9226	448	200	900	0,37	9273	1048	500	250	0,80
9227	448	200	1000	0,37	9274	1048	500	300	0,80
9228	448	200	1200	0,37	9275	1048	500	350	0,80
					9276	1048	500	400	0,80
9229	548	250	900	0,44	9277	1048	500	500	0,80
9230	548	250	1000	0,44	9278	1048	500	600	0,80
9231	548	250	1200	0,44	9279	1048	500	700	0,80
					9280	1048	500	800	0,80
9232	648	300	150	0,52	9281	1048	500	900	0,80
9233	648	300	200	0,52	9282	1048	500	1000	0,80
9234	648	300	250	0,52	9283	1048	500	1200	0,80
9235	648	300	300	0,52					
9236	648	300	350	0,52					
9237	648	300	400	0,52					
9238	648	300	500	0,52					
9239	648	300	600	0,52					
9240	648	300	700	0,52					
9241	648	300	800	0,52					
9242	648	300	900	0,52					
9243	648	300	1000	0,52					
9244	648	300	1200	0,52					
9245	748	350	150	0,59					
9246	748	350	200	0,59					
9247	748	350	250	0,59					
9248	748	350	300	0,59					
9249	748	350	350	0,59					
9250	748	350	400	0,59					
9251	748	350	500	0,59					
9252	748	350	600	0,59					
9253	748	350	700	0,59					
9254	748	350	800	0,59					
9255	748	350	900	0,59					
9256	748	350	1000	0,59					
9257	748	350	1200	0,59					

## Type 27–14

**Piston rod Ø: 14 mm**  
**Cylinder Ø: 27 mm**  
**Spring force: 500–2000N**  
**Thread: M8x1,25**  
*End fittings are ordered separately, see pages 79–80*




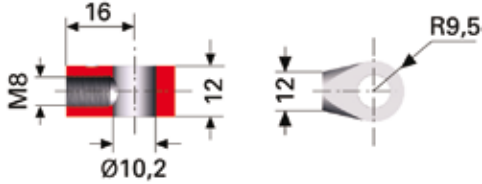

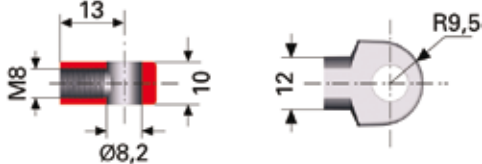

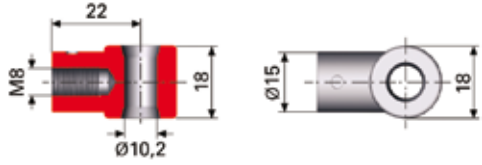

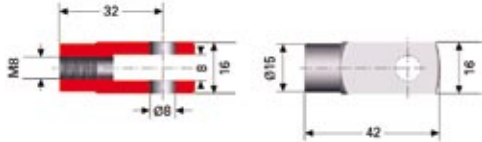

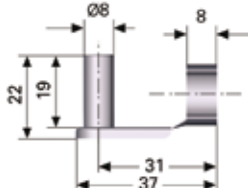

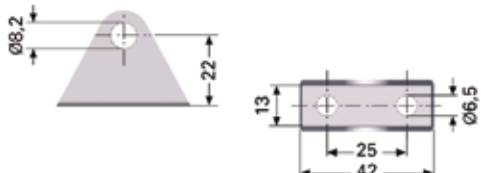

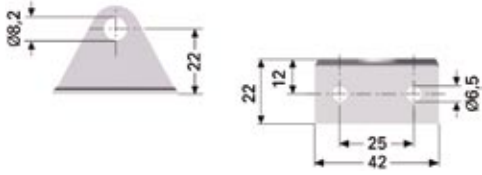

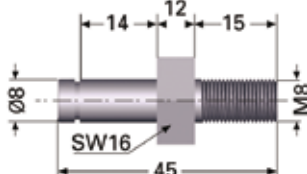
Part no.	Extended Length	Stroke	Force (N)	Weight (kg)	Part no.	Extended Length	Stroke	Force (N)	Weight (kg)
4574	258	100	1200	0,38	8146	768	350	1200	0,84
4575	258	100	1600	0,38	8147	768	350	1600	0,84
4576	258	100	2000	0,38	8148	768	350	2000	0,84
8140	308	125	1200	0,43	9358	874	400	1300	1,08
8141	308	125	1600	0,43	9359	874	400	1500	1,08
8142	308	125	2000	0,43	9360	874	400	1700	1,08
4577	368	150	1200	0,50	9361	874	400	2000	1,08
4578	368	150	1600	0,50	9362	1070	500	500	1,30
4579	368	150	2000	0,50	9363	1070	500	600	1,30
8143	408	175	1200	0,54	9364	1070	500	700	1,30
8144	408	175	1600	0,54	9365	1070	500	800	1,30
8145	408	175	2000	0,54	9366	1070	500	900	1,30
4580	468	200	1200	0,60	9367	1070	500	1000	1,30
4581	468	200	1600	0,60	9368	1070	500	1100	1,30
4582	468	200	2000	0,60	9369	1070	500	1300	1,30
4583	568	250	1200	0,72	9370	1070	500	1500	1,30
4584	568	250	1600	0,72	9371	1070	500	1700	1,30
4585	568	250	2000	0,72	9372	1070	500	2000	1,30
4586	668	300	1200	0,83					
4587	668	300	1600	0,83					
4588	668	300	2000	0,83					

Part no.	Illustration	Measurement	Fits part no.
<b>4615</b> M6 Ball head Steel Locking clip included			4610 4616 8273
<b>4594</b> M6 Ball head Steel Locking clip			4610 4616 8273
<b>4616</b> M6 Ball bolt Steel			4594 4615
<b>8273</b> Ball socket Steel			4594 4615
<b>4612</b> M6 Eye Steel			8962
<b>4592</b> M6 Eye Zinc			6408
<b>4593</b> M6 Eye Zinc			6408
<b>4595</b> M6 Eye Aluminium			6408 6412
<b>4596</b> M6 Eye Aluminium			6408

Part no.	Illustration	Measurement	Fits part no.
<b>6599</b> M6 Eye Zinc			
<b>4620</b> M6 Fork socket Steel			4621
<b>4621</b> Locking clip Steel			4620
<b>6408</b> Bracket Steel			4592 4595
<b>6410</b> Bracket Steel			6412 8960
<b>6412</b> Anchor bolt Steel			4595
<b>8960</b> Axial link Steel			6410
<b>8962</b> "Furniture" fitting Plastic, black			
<b>8963</b> M6 "Furniture" fitting Plastic, black			



Part no.	Illustration	Measurement	Fits part no.
<b>4599</b> M8 Ball head Steel			4611 8272
<b>4602</b> M8 Ball head Steel			4610 4616
<b>6651</b> M8 Ball head Steel			4611 8272
<b>4611</b> M8 Ball bolt Steel			4599 6651
<b>8272</b> M8 Ball bolt Steel			4599 6651
<b>4610</b> M8 Ball bolt Steel			4594 4602 4615
<b>8274</b> Ball socket Steel			4599 6651
<b>4601</b> M8 Eye Zinc			
<b>4603</b> M8 Eye Zinc			6407 6411

Part no.	Illustration	Measurement	Fits part no.
<b>8245</b> M8 Eye Zinc			
<b>6600</b> M8 Eye Steel			6407
<b>6649</b> M8 Eye Zinc			
<b>4605</b> M8 Fork socket Steel			4619
<b>4619</b> Locking clip Steel			4605
<b>6407</b> Bracket Steel			4603 6600
<b>6409</b> Bracket Steel			6411 8961
<b>6411</b> Anchor bolt Steel			4603 6409



*A high quality product*



# LESJÖFORS

*Distributor:*

## AUTOMOTIVE DIVISION

*CENTRE AUTOMOTIVE DIVISION:*

**LESJÖFORS AUTOMOTIVE AB**

Rådjursvägen 8, SE-352 45 Växjö, Sweden

Tel: +46 (0)470-70 72 80 • Fax: +46 (0)470-70 72 99

E-mail: [info.auto@lesjoforsab.com](mailto:info.auto@lesjoforsab.com) • Website: <http://www.lesjoforsab.com>

## DISTRIBUTION CENTRES

### **LESJÖFORS SPRINGS (UK) LTD**

Lowfields Way, Lowfields Business Park,  
Elland, West Yorkshire, UK HX5 9DA,

**England**

Tel: +44 (0)1422-370 770

Fax: +44 (0)1422-377 233

E-mail: [info.ell@lesjoforsab.com](mailto:info.ell@lesjoforsab.com)

### **LESJÖFORS SPRINGS GMBH**

Spannstiftstr. 2,  
DE-58119 Hagen-Hohenlimburg,

**Germany**

Tel: +49 (0)2334 50 17 0

Fax: +49 (0)2334 50 17 17

E-mail: [info.hag@lesjoforsab.com](mailto:info.hag@lesjoforsab.com)