

Wahler – Aftermarket

PKW 2012/2013
Katalog | Catalog | Catalogue



Wahler – Lösungen im Dialog.
Produkte für das Abgas- und Temperaturmanagement.

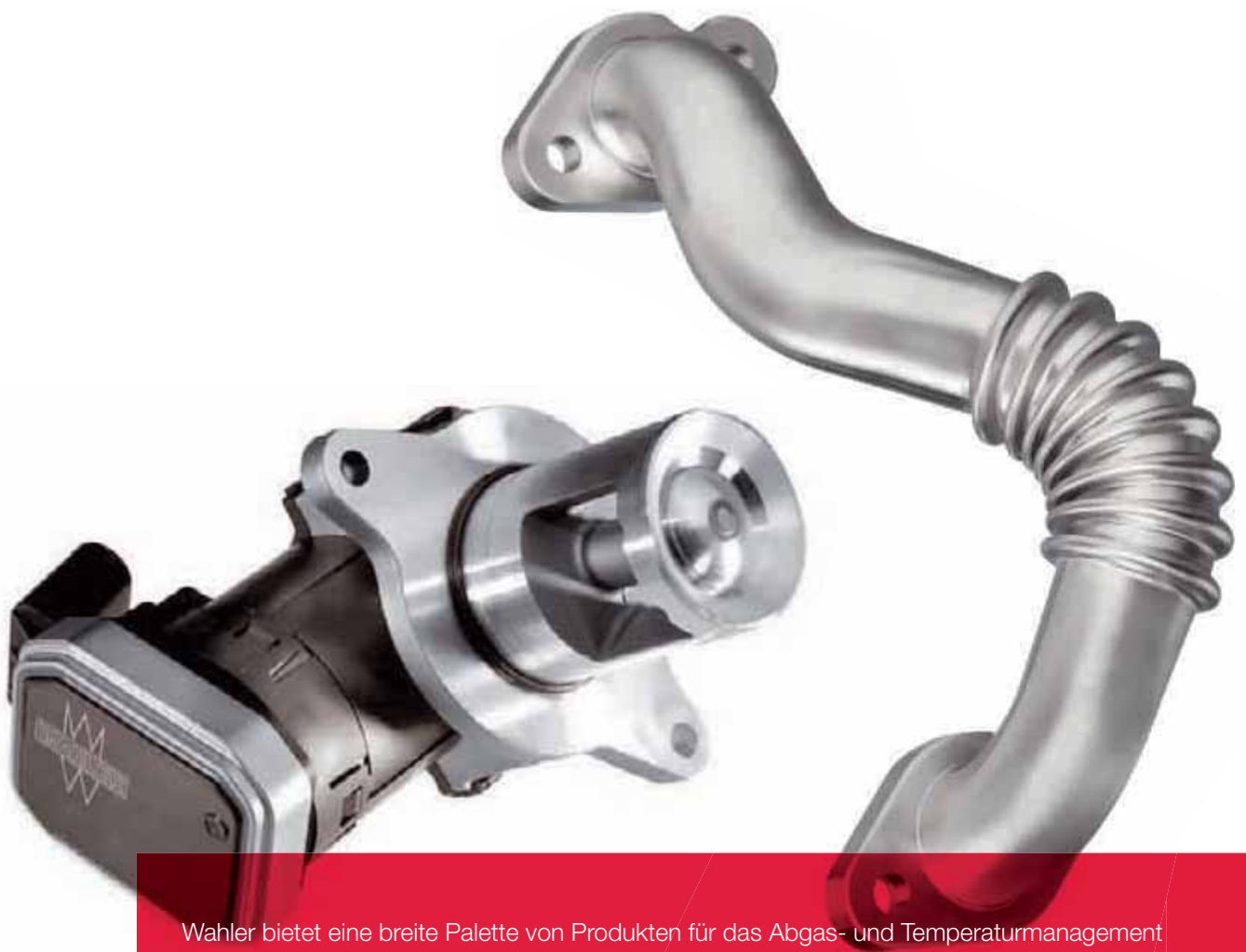
Wahler – Solutions in Partnership.
Products for Exhaust Gas and Temperature Management.

Wahler – Des solutions issues de la collaboration.
Des produits pour la gestion de gaz d'échappement et de la température.



Innovative Products

Components for Exhaust Gas and Temperature Management



Wahler bietet eine breite Palette von Produkten für das Abgas- und Temperaturmanagement moderner Motoren an. Neben den in diesem Katalog erwähnten Thermostaten umfasst das Produktportfolio auch AGR-Leitungen und AGR-Ventile. Für weitergehende Informationen fordern Sie bitte unseren Katalog AGR-Ventile an.

Wahler offers a broad range of products for the Exhaust Gas and Temperature Management of modern engines. In addition to the thermostats listed in this catalog EGR-pipes and EGR-valves complete the product portfolio. Please request the catalog EGR-valves for further information.

Inhaltsverzeichnis *Contents Sommaire*

Thermostate <i>Thermostats Thermostats</i>	1 - 196
Thermoschalter <i>Thermoswitches Thermocontacts</i>	197 - 259
Vergleichsliste <i>Cross references Liste de correspondances</i>	260 - 291
Dichtungszuordnungsliste <i>Listing of gaskets Liste de joints</i>	292 - 294
Typenersatzliste <i>Supersession list Liste des remplaçants</i>	295
Haupteinbaumaße <i>Main assembly dimensions Dimensions principales de montage</i>	296 - 308

Hersteller	Thermostat	Schalter	Hersteller	Thermostat	Schalter
ALFA ROMEO	2	197	MERCEDES BENZ	75	
AUDI	4	199	MINI	91	
AUTOBIANCHI	9	204	MITSUBISHI	92	
BMW	10		NISSAN	98	
CHEVROLET	17		OPEL	103	222
CHRYSLER	18		PEUGEOT	113	228
CITROËN	19	205	PIAGGIO	121	
DACIA	27	206	PLYMOUTH	122	
DAEWOO	28	207	PORSCHE	123	230
DAF	30		PROTON	124	
DAIHATSU	31		RENAULT	125	231
DODGE	33		ROVER	142	
FIAT	34	208	SAAB	143	233
FORD	42	215	SEAT	145	234
FSO	49		SKODA	151	238
HONDA	50		SMART (MCC)	154	
HYUNDAI	55		SSANGYONG	155	
INNOCENTI	57	216	SUBARU	156	
ISUZU	58		SUZUKI	158	
IVECO	59		TALBOT	161	239
JAGUAR	61	217	TOYOTA	162	
JEEP	62		VAUXHALL	169	240
KIA	63		VOLKSWAGEN	178	246
LADA	64	218	VOLVO	190	
LANCIA	65	219	WARTBURG	195	258
LAND ROVER	68		ZASTAVA	196	259
LEXUS	69				
LIGIER	70				
MAZDA	71				



Wyłącznik termiczny

Thermoschalter

Termo-interruptores

Thermoswitch

Interrupteur thermostatique

Термовыключатель

Thermostat

Thermostat

Thermostat

Thermostat

Термоста

Thermostat

Thermostato

Thermostat

Thermostat

Th

Thermostat

Thermostat

Thermostat

Thermoschalter

Thermoschalter

Thermoschalter

Thermoschalter

Thermoschalter

Thermoschalter

Thermoschalter

Produkte Aftermarket

Wahler liefert hochwertige Thermostate und Theroschalter in Erstausrüsterqualität. Sie stehen für einwandfreie Funktion und hohe Zuverlässigkeit. Dank ihres optimalen Wärmemanagements sorgen sie für ein langes Motorleben. Vielfalt nach Maß – Wahler hat für alle gängigen Automobilmarken die geeigneten Ersatzteile!

Vielfalt nach Maß

Wahler hat für 62 Automobilmarken die geeigneten Ersatzteile!

Wahler Weltweit

In diesen Länder finden Sie die Wahler-Vertriebspartner:

Albanien - Ägypten - Algerien - Andorra
Argentinien - Armenien - Aserbaidschan
Australien - Belgien - Bolivien - Bosnien-
Herzegovina - Brasilien - Bulgarien
Chile - Kolumbien - Deutschland
Ecuador - Estland - Finnland
Frankreich - Griechenland - Großbritannien
Hongkong - Indonesien - Iran
Irland - Island - Israel - Italien - Japan
Jordanien - Kaliningrad - Kanada
Kanarische Inseln - Kasachstan
Kirgisistan - Kroatien - Lettland
Libanon - Liechtenstein - Litauen
Luxemburg - Malaysia - Malta
Marokko - Mexiko - Moldawien - Monaco
Niederlande - Norwegen - Österreich
Paraguay - Peru - Polen - Portugal

Rumänien - Rußland - San-Marino - Saudi
Arabien - Schweden - Schweiz - Serbien
Montenegro - Singapur - Slowakische
Republik - Slowenien - Spanien
Südafrika - Syrien - Tadschikistan -
Taiwan Thailand - Tschechische Republik
Tunesien - Türkei -Turkmenistan - Ukraine
Ungarn - Uruguay - USA - Usbekistan
Venezuela - Vereinigte Arabische - Emirate
Weißrußland - Westafrika - Zypern

Service-Produkte inklusive

Wahler kennt die Kundenbedürfnisse und liefert die Thermostate immer zusammen mit der passenden Dichtung!

Products Aftermarket

Wahler is a provider of premium quality thermostats and thermostiches in OE quality. Our parts stand for proper functionality and outstanding reliability. Thanks to the optimum levels of heat management, they also ensure that engines live on, and on... Diversity made to measure – Wahler has the right parts for all current makes and models.

Diversity made to measure

Wahler has the right parts for 62 car models.

Wahler worldwide

Find our sales and distribution partners in these countries:

Albania - Algeria - Andorra - Argentina
Armenia - Australia - Austria
Azerbaijan - Baltic States - Belgium
Bolivia - Bosnia-Herzegovina - Brazil
Bulgaria - Canada - Canary Island
Chile - Columbia - Croatia - Czech
Republic - Egypt - Equador - Finland
France - Germany - Greece - Hongkong
Indonesia - Iran- Iceland - Irland - Israel
Italy - Japan - Jordan - Kaliningrad
Kazakhstan - Kyrgyzstan - Latvia
Libanon - Liechtenstein - Lithuania
Luxembourg - Malaysia - Malta
Marokko - Mexico - Moldavia
Monaco - Netherlands - Norway
Paraguay - Peru - Poland - Portugal
Romania - Russia - San-Marino - Saudi
Arabia - Sweden - Switzerland - Serbia

Montenegro - Singapore - Slovakian
Republic - Slovenia - Spain - South Africa
Syria - Tajikistan - Taiwan - Thailand
Tunisia - Turkey -Turkmenistan - Ukraine
Hungary - Uruguay - United Arabian
Emirate - USA - Uzbekistan - Venezuela
White Russia - West Africa - Cyprus

Service included

Wahler knows the customer needs and delivers thermostats always with the appropriate gasket!

Erklärung zur Artikelnummer

Key to article numbers

Explication du code article

4116.87D1

Typen-Nr.	Öffnungstemperatur	Dichtungsvariante
Type no.	Opening temperature	Gasket type
N° de type	Température d'ouverture	Variante de joint

Bauprinzip 3-Teller Thermostat

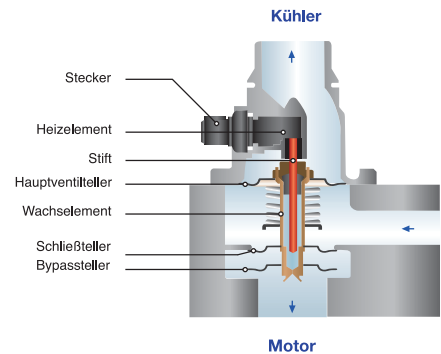
Design-Principle 3 Plate Thermostat

Principe de Construction 3-Disques Thermostat

Funktionsweise Kühlwasserthermostat

Working Principle Cooling Water Thermostat

Principe Fonctionnement Thermostat de refroidissement



Warmlaufphase: Der Motor befindet sich nach dem Start in der Warmlaufphase. Der Thermostat ist geschlossen und das Wasser zirkuliert über den inneren Motorkreislauf.

Warm up period: The engine enters the warm-up as soon as it is started. The thermostat is closed and the water circulates through the inner engine circuit.

Phase de mise en action: Après le démarrage, le moteur se trouve en phase de mise en action. Le thermostat est fermé et l'eau circule via le circuit intérieur du moteur.



Regelbetrieb: Die Wassertemperatur erreicht die Öffnungstemperatur des Thermostaten. Eine kleine Menge des Volumenstromes wird über den Kühler geleitet.

Normal operation: The water temperature reaches the opening temperature of the thermostat. A small portion of the volumetric flow is fed through the radiator.

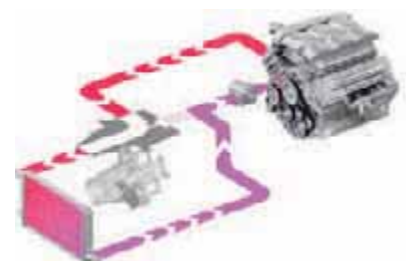
Fonction de régulation: La température de l'eau atteint la température d'ouverture du thermostat. Une petite quantité du débit volumétrique est dirigée via le radiateur.



Heißbetrieb: Der Bypass wird verschlossen. Der ganze Volumenstrom wird über den Kühler geleitet.

Full temperature operation: The bypass is sealed. The full volumetric flow is fed through the radiator.

Fonctionnement à chaud: Le by-pass est fermé. L'ensemble du débit volumétrique est dirigé via le radiateur.



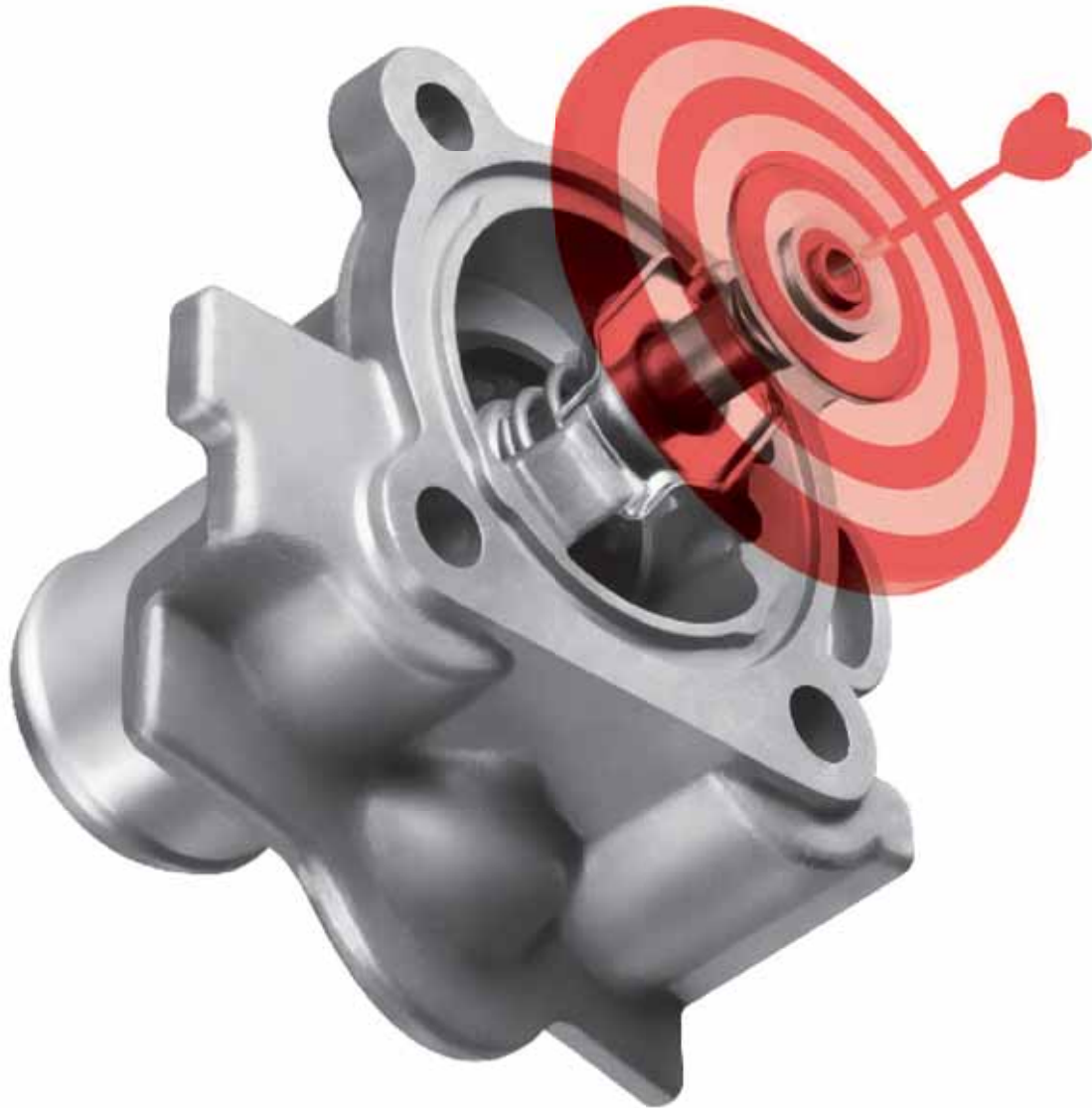
Nachheizphase: Der Thermostat erreicht seinen maximalen Hub bei besonderen Betriebszuständen wie z.B. beim Nachheizen.

Reheating phase: Maximum thermostat displacement occurs under special operating conditions such as reheating.

Phase de post-chauffage: Le thermostat atteint sa température de réaction maximale lors d'états de fonctionnement particuliers, tels que le post-chauffage.



Wahler. Extremely precise.



The varying applications and divergent technologies of the internal combustion engine call for thermostats featuring different operating characteristics and modes of operation. Therefore Wahler provides thermostats with a highly accurate coolant control. In direct cooperation with their experts Wahler is developing innovative and customized products for the exhaust gas and temperature management. For this reason, the Wahler thermostat program covers a remarkably broad performance range.

Visit us at www.wahler.de

Gustav Wahler GmbH u. Co. KG, Hindenburgstraße 146, 73730 Esslingen, Tel +49 711 3152-0, Fax +49 711 3152-210

Wahler – Solutions in Partnership.
Products for Exhaust Gas and Temperature Management.



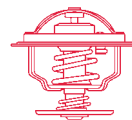


Thermostate
Thermostats
Thermostats

ALFA ROMEO

	Motor Engine Moteur	Ltr. Ltr. Ltr.	Jahr Year Année	Einschränkung Restriction* Restriction*	Thermostat Thermostat Thermostat
33					
1.3	AR 30168, AR 30502, AR 30586, AR 30587	1.3	1983.06 - 1989.12		4003.86
1.5	AR 30146, AR 30508, AR 30588	1.5	1984.06 - 1989.12		4003.86
75					
1.6	AR 06100	1.6	1985.05 - 1989.09		4160.83D
1.8	AR 06202	1.8	1985.09 - 1989.06		4160.83D
2.0	AR 06212	2.0	1985.05 - 1988.10		4160.83D
90					
1.8	AR 06202	1.8	1984.10 - 1987.07		4160.83D
2.0 i.e.	AR 01713, AR 06212	2.0	1984.10 - 1987.07		4160.83D
145 (930)					
1.6 i.e. 16V T.S.	AR 38201, AR 67601	1.6	1996.12 - 2001.01		410514.88D ▲
1.8 i.e. 16V	AR 32201	1.8	1998.03 - 2001.01		410514.88D ▲
1.9 JTD	AR 32302	1.9	1999.02 - 2001.01		410512.88D ▲
2.0 16V Quadrifoglio	AR 32301	2.0	1998.03 - 2001.01		410514.88D ▲
146 (930)					
1.6 i.e. 16V T.S.	AR 38201, AR 67601	1.6	1996.11 - 2001.01		410514.88D ▲
1.8 i.e. 16V T.S.	AR 32201	1.8	1998.03 - 2001.01		410514.88D ▲
1.9 JTD	AR 32302	1.9	1999.02 - 2001.01		410512.88D ▲
2.0 16V Quadrifoglio	AR 32301	2.0	1998.03 - 2001.01		410514.88D ▲
147 (937)					
1.6 16V T.SPARK (937AXB1A)	AR 32104	1.6	2001.01 -		410514.88D ▲
1.6 16V T.SPARK ECO (937AXA1A)	AR 37203	1.6	2001.01 -		410590.88D ▲
1.9 JTD	182 B9.000	1.9	2003.06 -		410511.88D ▲
1.9 JTD (937AXD1A)	937 A2.000	1.9	2001.04 -		410511.88D ▲
2.0 16V T.SPARK (937AXC1_)	AR 32310	2.0	2001.01 -		410514.88D ▲
156 (932)					
1.6 16V T.SPARK	AR 32102, AR 32103, AR 32104, AR 67601	1.6	1997.09 - 2006.05		410514.88D ▲
1.8 16V T.SPARK	AR 32201, AR 32205	1.8	1997.09 - 2006.05		410514.88D ▲
2.0 16V T.SPARK	AR 32301, AR 32310	2.0	1997.09 - 2002.03		410514.88D ▲
2.4 JTD	AR 32501	2.4	1997.09 - 2000.10		410512.88D ▲
159					
1.8 MPI	939 A4.000	1.8	2007.03 -		4431.105D ▲
1.9 JTDM 16V	939 A2.000	1.9	2005.09 -		410049.88D ▲
1.9 JTDM 8V	939 A1.000	1.9	2006.03 -		410049.88D ▲
1750					
1750	AR 00548	1.8	1968.03 - 1972.10		4008.79D
ALFASUD					
1.3	AR 30184	1.3	1976.09 - 1981.12		4003.86
1.4	AR 30164, AR 30168	1.4	1978.05 - 1989.12		4003.86
1.5	AR 30124, AR 30128, AR 30146	1.5	1978.05 - 1987.12		4003.86
ALFETTA					
1.6	AR 01600	1.6	1975.01 - 1984.12		4008.79D
1.8	AR 01608, AR 01608 X, AR 01678	1.8	1974.01 - 1984.12		4008.79D
2.0	AR 01623, AR 01655, AR 01713, AR 10520	2.0	1977.03 - 1986.01		4008.79D

Thermostate
Thermostats
Thermostats



ALFA ROMEO

	Motor Engine Moteur	Ltr. Ltr. Ltr.	Jahr Year Année	Einschränkung Restriction* Restriction*	Thermostat Thermostat Thermostat
AR 6 / AR 8					
2.4 D	8140.61.200, 8144.61.200	2.4	1978.04 - 1985.12 1986.01 - 1986.08		4008.79D 4151.79D
2.4 TD	8140.21.200 D.I., 8144.21.220	2.4	1985.04 - 1985.12 1986.01 - 1989.12		4008.79D 4151.79D
2.5 D	8144.67.220	2.5	1986.03 - 1989.12		4151.79D
ARNA					
1.2	AR 30500, AR 31000	1.2	1985.01 - 1986.12		4003.86
1.3 TI	AR 30168, AR 31010	1.3	1983.03 - 1986.12		4003.86
GIULIA					
1300 Super (115)	AR 00530	1.3	1974.01 - 1978.12		3067.83
1300 TI (105,39)		1.3	1969.04 - 1975.07		3000.83
1600 Super (105,14)	AR 00526	1.6	1964.06 - 1969.08		3067.83
GIULIETTA					
1.3 (116.44A)	AR 01644	1.3	1977.10 - 1983.06		4160.83D
1.6 (116.50B)	AR 01600	1.6	1977.10 - 1985.04		4160.83D
1.8 (116.AA, 116.AB)	AR 01678	1.8	1979.04 - 1985.04		4160.83D
1.8 Turbo	AR 01354	1.8	1984.01 - 1985.12		4160.83D
2.0 (116.A1A)	AR 01655, AR 11671	2.0	1980.06 - 1985.04		4160.83D
2.0 Turbo	AR 01699	2.0	1983.07 - 1984.06		4160.83D
GT					
1300 Junior (105)	AR 00530	1.3	1966.01 - 1977.12		3067.83
1600 (105)	AR 00526 S, AR 00536	1.6	1963.03 - 1968.12		3067.83
1600 (115)	AR 00526 S, AR 00536	1.6	1971.06 - 1977.12		3067.83
A 1600 (105)	AR 10538	1.6	1965.01 - 1970.12		3067.83
GTV (116)					
2.0	AR 01655, AR 06212	2.0	1978.07 - 1986.01		4008.79D
2.0 (116.36 E)	AR 06212	2.0	1985.01 - 1985.12		4008.79D
GTV (916)					
2.0 T.SPARK 16V (916C2C)	AR 32301	2.0	1998.05 - 2000.08		410514.88D ▲
MONTREAL					
2.6 (105,64)	AR 10832	2.6	1972.12 - 1979.03		4008.79D
SPIDER (105)					
1750	AR 00548	1.8	1967.01 - 1971.12		4008.79D
SPIDER (115)					
1600	AR 01563	1.6	1990.01 - 1993.12		4160.83D
SPIDER (916)					
1.8 16V (916S3)	AR 32201	1.8	1998.05 - 2005.04		410514.88D ▲
2.0 T.SPARK 16V	AR 16201, AR 32301, AR 32310	2.0	1995.06 - 2005.04		410514.88D ▲



Thermostate
Thermostats
Thermostats

AUDI

**Motor
Engine
Moteur**

**Ltr.
Ltr.
Ltr.**

**Jahr
Year
Année**

**Einschränkung
Restriction*
Restriction***

**Thermostat
Thermostat
Thermostat**

80 (quattro)

1.3	EP, FY, FZ, ZA, ZF	1.3	1978.09 - 1981.07 1972.05 - 1986.07	FY, FZ ZA, EP, ZF	3091.92D 4264.87D
1.4	SE	1.4	1986.08 - 1988.07		4264.87D
1.5	YJ, ZB, ZC	1.5	1972.05 - 1976.07		4264.87D
1.6	ABB, ABM, DT, PP, RN, SA, WV, YN, YP, YT, YY	1.6	1975.09 - 1994.12		4264.87D
1.6 D	CR, JK	1.6	1980.08 - 1991.08		4253.87D
1.6 E	ADA	1.6	1993.06 - 1996.01		4264.87D
1.6 GLE	YZ	1.6	1979.01 - 1986.12		4264.87D
1.6 GT	XX	1.6	1973.09 - 1976.07		4264.87D
1.6 GTE	YS	1.6	1976.01 - 1978.07		4264.87D
1.6 TD	CY, RA, SB	1.6	1981.08 - 1991.08		4253.87D
1.8	DS, JN, RU, SD, SF	1.8	1983.01 - 1990.08		4264.87D
1.8 CC	JN, JV, NE	1.8	1984.08 - 1986.08		4264.87D
1.8 E	DZ	1.8	1986.06 - 1991.08		4264.87D
1.8 GTE	DZ, PV	1.8	1984.08 - 1986.08		4264.87D
1.8 S	JN, NE, PM, SF	1.8	1986.09 - 1991.10		4264.87D
1.9 CD-5S	WN	1.9	1981.09 - 1983.07		4116.87D1
1.9 D	1Y	1.9	1989.08 - 1991.08		4253.87D
1.9 TD	AAZ	1.9	1991.09 - 1994.12		4253.87D
1.9 TDI	1Z	1.9	1991.09 - 1996.01		4253.87D
2.0	3A, AAD, ABT, HP, JS	2.0	1983.10 - 1984.09 1990.10 - 1996.01		4116.87D1 4264.87D
2.0 E	3A, ABK	2.0	1988.08 - 1996.01		4264.87D
2.0 E 16V	6A, ACE	2.0	1990.03 - 1996.01		4264.87D
2.2	KK, KL, WE	2.2	1980.10 - 1984.07		4116.87D1
2.3 E	NG	2.3	1991.09 - 1996.01		4116.87D1
2.6	ABC	2.6	1992.06 - 1996.01		4274.87D
2.8	AAH	2.8	1991.09 - 1996.01		4274.87D
RS2	ADU	2.2	1994.03 - 1995.05		4116.87D1
S2	ABY	2.2	1993.02 - 1995.07		4116.87D1

90 (quattro)

1.6 TD	CY, RA, SB	1.6	1985.10 - 1991.09		4253.87D
2.0	HP, JS, PS, SK	2.0	1984.10 - 1991.09		4116.87D1
2.0 20 V	NM	2.0	1988.08 - 1991.09		4116.87D1
2.2	HY, KV, KX	2.2	1984.10 - 1987.03		4116.87D1
2.2 E	JT, KV	2.2	1984.11 - 1991.09		4116.87D1
2.3 E	NG	2.3	1987.04 - 1991.09		4116.87D1
2.3 E 20V	7A	2.3	1988.06 - 1991.09		4116.87D1

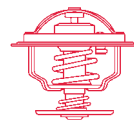
100 1968 --> 1983

1.6	YM, YV	1.6	1975.01 - 1976.07 1976.08 - 1983.02		4256.80D 4264.87D
1.8	ZU, ZV, ZX, ZZ	1.8	1968.11 - 1976.07		4006.82D
1.9	WH, ZJ, ZP	1.9	1970.07 - 1976.12 1980.08 - 1982.07		4006.82D 4088.80D
2.0	WA	2.0	1976.06 - 1980.07		4006.82D
2.0 D	CN	2.0	1978.08 - 1983.02		4116.87D1
2.1	WB, WC, WE, WG	2.1	1977.03 - 1983.02		4088.80D

100 1982 --> 1990 (quattro)

1.8	DR, DS, JW, NP, RS, SH	1.8	1982.08 - 1990.07		4264.87D
1.8 KAT	4B, PH	1.8	1985.03 - 1990.11		4264.87D
1.8 quattro KAT	4B, PH	1.8	1985.08 - 1990.11		4264.87D
1.9	WH	1.9	1982.08 - 1984.07		4116.87D1
2.0	KP, RT, SL	2.0	1984.08 - 1990.11		4116.87D1

Thermostate
Thermostats
Thermostats



AUDI

	Motor Engine Moteur	Ltr. Ltr. Ltr.	Jahr Year Année	Einschränkung Restriction* Restriction*	Thermostat Thermostat Thermostat
2.0 D	CN	2.0	1982.08 - 1990.11		4116.87D1
2.0 D Turbo	DE, NC	2.0	1982.08 - 1990.11		4116.87D1
2.0 E	KP, RT	2.0	1985.01 - 1990.11		4116.87D1
2.0 TD	DE, NC	2.0	1983.03 - 1990.11		4116.87D1
2.1	WC	2.1	1982.08 - 1984.07		4116.87D1
2.2	HX, KF, KU, KZ, WU	2.2	1982.08 - 1990.11		4116.87D1
2.2 E	PX	2.2	1985.08 - 1986.07		4116.87D1
2.2 E Turbo	MC	2.2	1986.08 - 1990.11		4116.87D1
2.2 Turbo	MC	2.2	1986.08 - 1990.11		4116.87D1
2.3	AAR, NF	2.3	1986.08 - 1990.11		4116.87D1
2.3 E	AAR, NF	2.3	1986.08 - 1990.11		4116.87D1
2.4 D	3D	2.4	1989.08 - 1991.07		4116.87D1
2.5 TDI	1T	2.5	1990.01 - 1990.11		4116.87D1
100 1990 --> 1994 (quattro)					
2.0	AAE	2.0	1990.12 - 1994.06		4264.87D
2.0 E	AAD, AAE, ABK	2.0	1990.12 - 1994.06		4264.87D
2.0 E 16V	ACE	2.0	1992.01 - 1994.06		4264.87D
2.3 E	AAR	2.3	1990.12 - 1994.06		4116.87D1
2.4 D	AAS	2.4	1990.12 - 1994.06		4116.87D1
2.5 TDI	AAT, ABP	2.5	1990.12 - 1994.06		4116.87D1
2.6	ABC, ACZ	2.6	1992.03 - 1994.06		4274.87D
2.6 E	ACZ	2.6	1993.08 - 1994.07		4274.87D
2.8 E	AAH	2.8	1990.12 - 1994.06		4274.87D
S4 Turbo	AAN	2.2	1991.08 - 1994.06		4116.87D1
S4 V8	ABH, AEC	4.2	1992.10 - 1994.06		4274.87D
200 (quattro)					
2.1 5 E	WC	2.1	1979.10 - 1984.07		4116.87D1
2.1 5 T	WJ	2.1	1979.10 - 1982.08		4088.87D
2.1 Turbo	KG	2.1	1983.08 - 1988.01		4116.87D1
2.2	KU	2.2	1984.08 - 1985.07		4116.87D1
2.2 20V Turbo	3B	2.2	1989.03 - 1990.12		4116.87D1
2.2 Turbo	1B, 2B, MC	2.2	1983.09 - 1991.12		4116.87D1
2.3	NF	2.3	1986.11 - 1991.09		4116.87D1
A1					
1.6 TDI	CAYB, CAYC	1.6	2010.05 -	CAYC mit Gehäuse	410536.92D ▲
			2010.05 -	CAYC ohne Gehäuse	410537.92D ▲
			2011.03 -	CAYB	410845.92D ▲
A2					
1.2 TDI	ANY	1.2	2001.03 - 2005.08		4264.87D
1.4	AUA, BBY	1.4	2000.02 - 2005.08	ITW HENSCHEL	3143.87D
			2000.02 - 2005.08	HIMMERMANN	3167.83D ▲
			2000.02 - 2005.08	mit Gehäuse	410475.87D ▲
1.4 TDI	AMF, ATL, BHC	1.4	2000.02 - 2005.08		4264.87D
A3 (8L)					
1.6	AEH, AKL, APF	1.6	1996.09 - 2000.08	AEH, AKL	3141.87D
1.8	AGN, APG	1.8	1996.09 -		3141.87D
1.8 T	AGU, AJQ, APP, AQA, ARX, ARY, ARZ, AUM, AUQ	1.8	1996.12 -		3141.87D
1.9 TDI	AGR, AHF, ALH, ASV, ASZ, ATD, AXR	1.9	1996.09 - 2001.07	AGR, ALH, ASV, AHF, ASZ, ATD, AXR	4264.87D
S3	AMK, APY, AUL, BAM	1.8	1999.03 -	AMK, APY, BAM	3141.87D

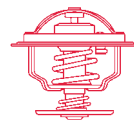


Thermostate
Thermostats
Thermostat

AUDI

	Motor Engine Moteur	Ltr. Ltr. Ltr.	Jahr Year Année	Einschränkung Restriction* Restriction*	Thermostat Thermostat Thermostat
A3 (8P)					
1.6	BGU, BSE, BSF, CCSA, CMXA	1.6	2003.05 -	BGU, BSE, BSF, CCSA, CMXA	3141.87D
1.6 TDI	CAYB, CAYC	1.6	2009.05 -	ohne Gehäuse	410537.92D ▲
1.9 TDI	BKC, BLS, BXE	1.9	2003.05 - 2003.05 -	BKC, BXE BLS	4264.87D 4820.87D
2.0 FSI	AXW, BLR, BLX, BLY, BMB, BVY, BVZ	2.0	2003.05 -	BVY, BVZ	411186.87D ▲
A3 Cabriolet					
2.0 TDI	CBAA, CBAB, CFFA, CFFB	2.0	2008.04 - 2009.07 2008.04 -	CBAB, CBAA CFFB, CFFA	3472.87D 410845.87D ▲
A3 (8P)					
2.0 TDI 16V	BKD, CBAB, CFFB, CLJA	2.0	2003.05 - 2009.07 2003.05 -	BKD, CBAB CFFB, CLJA	3472.87D 410845.87D ▲
2.0 TFSI	AXX, BPY, BWA, CAWB, CBFA, CCZA	2.0	2004.09 -	AXX, BWA	411187.87D ▲
3.2 V6	BDB, BMJ, BUB	3.2	2003.07 -		4455.80D
A4 (quattro)					
1.6	ADP, AHL, ALZ, ANA, ARM	1.6	1995.01 - 2001.09		3141.87D
1.8	ADR, AFY, APT, ARG, AVV	1.8	1995.01 - 2001.09		3141.87D
1.8 T	AEB, AJL, ANB, APU, ARK, AWT	1.8	1995.01 - 2001.09		3141.87D
1.9 DUO	AHU	1.9	1998.03 - 2001.09		4264.87D
1.9 TDI	1Z, AFF, AFN, AHH, AHU, AJM, ATJ, AVB, AVF, AVG, AWX, BKE, BRB	1.9	1995.01 - 2004.12		4264.87D
2.0 TDI	BNA, BPW, BRD, BRF, BVA	2.0	2004.11 - 2004.11 -	BNA, BRF, BRD, BVA BPW	3472.87D 4264.87D
2.0 TDI 16V	BLB, BRE	2.0	2004.11 -		3472.87D
2.0 TFSI	BGB, BPG, BPJ, BUL, BWE, BWT, BYK	2.0	2004.11 -		411186.87D ▲
2.0 TFSI 16V	BWE, BWT	2.0	2006.01 -		411186.87D ▲
2.4	AFM, AGA, AJG, ALF, AML, AMM, APS, APZ, ARJ, BDV	2.4	1995.07 - 2001.09 1997.03 - 2005.12	Chassis No →8D-X-315 000 Chassis No 8D-X-315 001→	4274.87D 4274.92D
2.5 TDI	AFB, AKE, AKN, AYM, BAU, BCZ, BDG, BDH, BFC	2.5	1997.09 - 2006.05		4274.87D
2.6	ABC, ACZ	2.6	1995.01 - 2001.09		4274.87D
2.8	AAH, ACK, ALG, AMX, APR, AQD	2.8	1995.01 - 2001.09		4274.87D
3.0	ASN, AVK, BBJ	3.0	2000.11 - 2006.05		4814.92D
RS4	ASJ, AZR	2.7	2000.05 - 2001.09		4274.87D
S4	AGB, AZB	2.7	1997.09 - 2001.09		4274.87D
A4 (8K2, 8K5))					
2.0 TDI	CAGA, CAGB, CAGC, CAHA, CAHB, CJCB, CMEA	2.0	2007.11 - 2009.08	CAGA, CAGB, CAGC, CAHA, CAHB, CMEA	410396.82D ▲
A4 Allroad (8KH)					
2.0 TDI	CAHA, CAHB	2.0	2009.04 - 2009.08		410396.82D ▲
A5 (8T)					
2.0 TDI	CAHA, CAHB	2.0	2008.08 - 2009.08		410396.82D ▲

Thermostate
Thermostats
Thermostats



AUDI

	Motor Engine Moteur	Ltr. Ltr. Ltr.	Jahr Year Année	Einschränkung Restriction* Restriction*	Thermostat Thermostat Thermostat
A5 Cabriolet (8F)					
2.0 TDI	CAHB	2.0	2009.05 - 2009.08		410396.82D ▲
A6 (quattro)					
1.8	ADR, AFY, AJP, ANQ, AQE, ARH	1.8	1995.12 - 2005.01	ADR, AJP, AQE, ARH, AFY	3141.87D
1.8 T	AEB, AJL, ANB, APU, ARK, AWL, AWT	1.8	1997.01 - 2005.01	AEB, APU, ANB, ARK, AWT, AJL	3141.87D
1.9 TDI	1Z, AFN, AHU, AJM, AVF, AVG, AWX	1.9	1994.06 - 2005.01		4264.87D
2.0	AAE, ABK, ADW	2.0	1994.06 - 1997.12		4264.87D
2.0 16V	ACE	2.0	1994.06 - 1997.12		4264.87D
2.0 TDI	BLB, BNA, BRE, BRF, CAGB, CAHA, CAHB	2.0	2004.07 - 2008.10 2004.07 - 2009.08	BLB, BRE, BNA, BRF CAGB	3472.87D 410396.82D ▲
2.0 TFSI	BPJ, BYK	2.0	2005.06 -		411186.87D ▲
2.3	AAR	2.3	1994.06 - 1995.12		4116.87D1
2.4	AFM, AGA, AJG, ALF, ALW, AML, AMM, APC, APS, APZ, ARJ, ARN, ASM, BDV	2.4	1995.07 - 2005.01 1997.02 - 2005.01	Chassis No →4B-X-160 000 Chassis No 4B-X-160 001→	4274.87D 4274.92D
2.5 TDI	AAT, AEL, AFB, AKE, AKN, AYM, BAU, BCZ, BDG, BDH, BFC, BND	2.5	1994.06 - 1997.12 1997.07 - 2005.01		4116.87D1 4274.87D
2.6	ABC, ACZ	2.6	1994.06 - 1997.12		4274.87D
2.7 T	AJK, ARE, AZA, BES	2.7	1997.12 - 2005.01		4274.87D
2.8	AAH, ACK, AEJ, AFC, AGE, ALG, AMX, APR, AQD, ATX, BBG	2.8	1994.06 - 2005.01 1999.07 - 2005.01		4274.87D 4274.92D
3.0	ASN, BBJ	3.0	2001.08 - 2006.05		4814.92D
4.2	ARS, ASG, AWN	4.2	1998.11 - 2005.01	ARS, ASG	4274.87D
RS6	BCY	4.2	2002.07 - 2005.01		4274.82D
S6	ANK, AQJ	4.2	1999.09 - 2005.01		4274.87D
S6 4.2	AEC	4.2	1994.06 - 1997.12		4274.87D
S6 Plus	AHK	4.2	1996.04 - 1997.12		4274.87D
S6 Turbo	AAN	2.2	1994.06 - 1997.12		4116.87D1
A8 (quattro)					
2.5 TDI	AFB, AKE, AKN	2.5	1997.01 - 2002.09		4274.87D
2.8	AAH, ACK, AEJ, ALG, AMX, APR, AQD	2.8	1994.03 - 2002.09		4274.87D
3.0	ASN, BBJ	3.0	2003.07 - 2010.07		4814.92D
3.3 TDI	AKF	3.3	2000.06 - 2002.09		4274.87D
3.7	AEW, AKC, AKJ, AQG, BFL	3.7	1995.07 - 1998.12 1998.11 - 2010.07		4274.87D 4274.82D
4.2	ABZ, AEM, AKG, AQF, ARU, AUW, AUX, BFM	4.2	1994.03 - 2002.09 1999.02 - 2010.07		4274.87D 4274.82D
S 8	AHC, AKH, AQH, AVP	4.2	1996.07 - 1999.06 1999.06 - 2002.09		4274.87D 4274.82D
ALLROAD					
2.5 TDI	AKE, BAU, BCZ	2.5	2000.05 - 2005.08		4274.87D
2.7 T	ARE, BES	2.7	2000.05 - 2005.08		4274.87D
CABRIOLET					
1.8	ADR	1.8	1997.01 - 2000.08		3141.87D
1.9 TDI	1Z, AHU	1.9	1995.06 - 2000.08		4264.87D
2.0 16V	ACE	2.0	1995.06 - 1996.07		4264.87D
2.0 E	ABK	2.0	1993.01 - 1998.07		4264.87D
2.3 E	NG	2.3	1991.05 - 1994.07		4116.87D1

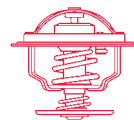


Thermostate
Thermostats
Thermostats

AUDI

	Motor Engine Moteur	Ltr. Ltr. Ltr.	Jahr Year Année	Einschränkung Restriction* Restriction*	Thermostat Thermostat Thermostat
2.6	ABC, ACZ	2.6	1993.06 - 2000.08		4274.87D
2.8	AAH	2.8	1992.11 - 2000.08		4274.87D
COUPE (quattro)					
1.6	YN	1.6	1980.07 - 1981.08		4264.87D
1.8	DD, DZ	1.8	1981.08 - 1991.07		4264.87D
1.8 GT	DS, DZ, JN, JV, NE, PV, SF	1.8	1982.09 - 1988.10		4264.87D
1.9	WN	1.9	1980.08 - 1983.07		4116.87D1
2.0	3A, AAD, ABK, HP, JS, SK	2.0	1983.09 - 1988.04 1989.05 - 1996.12		4116.87D1 4264.87D
2.0 16 V	6A, ACE	2.0	1992.01 - 1996.12		4264.87D
2.0 20 V	NM	2.0	1989.08 - 1991.07		4116.87D1
2.1 GT	KE, KL, WE	2.1	1981.01 - 1984.08		4116.87D1
2.2	JT, KV	2.2	1984.10 - 1991.07		4116.87D1
2.2 GT	HY, KV, KX	2.2	1981.07 - 1988.10		4116.87D1
2.3	NG	2.3	1987.01 - 1996.12		4116.87D1
2.3 20V	7A	2.3	1988.11 - 1996.12		4116.87D1
2.6	ABC	2.6	1992.08 - 1996.12		4274.87D
2.8	AAH	2.8	1991.08 - 1996.12		4274.87D
S2	3B, ABY	2.2	1990.09 - 1996.12		4116.87D1
QUATTRO					
2.1 20V Turbo	KW	2.1	1984.05 - 1987.07		4116.87D1
2.1 Turbo	GV, WR	2.1	1980.07 - 1987.07		4116.87D1
2.2 20V	RR	2.2	1989.08 - 1991.07		4116.87D1
2.2 Turbo	1B, MB	2.2	1987.08 - 1989.07		4116.87D1
Q5					
2.0 TDI	CAHA, CAHB, CGLA, CGLB	2.0	2008.11 - 2009.08	CAHA, CGLA	410396.82D ▲
TT (quattro)					
1.8 T	AJQ, AMU, APP, APX, ARY, ATC, AUM, AUQ, AWP, BAM, BVP, BVR	1.8	1998.10 - 2006.06		3141.87D
2.0 TDI	CBBB, CFGB	2.0	2008.06 - 2009.07 2008.06 -	CBBB CFGB	3472.87D 410845.87D ▲
2.0 TFSI	BPY, BWA, CCTA, CCZA	2.0	2006.10 -	BPY, BWA	411187.87D ▲
3.2 V6	BUB	3.2	2006.10 -		4455.80D
3.2 VR6	BHE, BPF	3.2	2003.07 - 2006.06		4455.80D
V 8 (quattro)					
3.6	PT	3.6	1988.10 - 1994.02		4274.87D
4.2	ABH	4.2	1991.10 - 1994.02		4274.87D

Thermostate
Thermostats
Thermostats



AUTOBIANCHI

	Motor Engine Moteur	Ltr. Ltr. Ltr.	Jahr Year Année	Einschränkung Restriction* Restriction*	Thermostat Thermostat Thermostat
A 111					
1.4	Fiat BLC.000	1.4	1969.08 - 1972.11		3345.79
A 112					
0.9	A112A 5.000, A112B2.000	0.9	1975.07 - 1985.12 1969.10 - 1972.12		3022.87D 3023.87D
0.9 E	A112A 5.000	0.9	1973.01 - 1977.12		3022.87D
1.0 Abarth	A112A1.000, A112A2.000	1.0	1974.01 - 1984.12 1971.09 - 1975.12		3022.87D 3023.87D
1.0 E,Elite,LX	A112B1.000	1.0	1977.11 - 1985.12		3022.87D
Y 10					
1.0	156A.000, 156A2.000, 156A2.246, 156A3.000	1.0	1985.03 - 1985.03 -		3105.87D 4091.82D ▲
1.0 Turbo	156A1.000	1.0	1985.03 -		4091.82D ▲
1.1	156C.000	1.1	1989.06 -		3105.87D
1.1 i.e.	156C.046	1.1	1990.09 -		3105.87D
1.3 i.e. GT	146A5.046, 156B.000	1.3	1989.06 - 1989.06 -	Motornummer →3143798 Motornummer 3143798→	3378.80 • 3373.80D

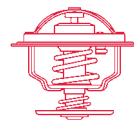


Thermostate
Thermostats
Thermostats

BMW

	Motor Engine Moteur	Ltr. Ltr. Ltr.	Jahr Year Année	Einschränkung Restriction* Restriction*	Thermostat Thermostat Thermostat
02 (E6, E10)					
1502 1.6	M10 B16	1.6	1975.01 - 1977.07		3344.80
1600	M10 B16	1.6	1971.05 - 1973.04		3344.80
1600 Ti	M10 B16	1.6	1967.09 - 1969.11		3344.80
1600-2	M10 B16	1.6	1967.12 - 1971.12		3344.80
1602	M10 B16	1.6	1971.04 - 1975.07		3344.80
1802	M10 B18	1.8	1971.05 - 1975.07		3344.80
2002	M10 B20	2.0	1968.02 - 1975.07		3344.80
2002 Ti	M10 B20	2.0	1968.06 - 1972.04		3344.80
2002 Tii	M10 B20	2.0	1971.01 - 1975.07		3344.80
2002 Turbo	M10 B20 (Turbo)	2.0	1974.01 - 1975.07		3344.75
1500/1600/1800/2000					
1.6	M10 B16	1.6	1967.10 - 1969.05		3344.80
1500	M10 B15	1.5	1962.10 - 1966.07		3344.80
1500 1.6	M10 B16	1.6	1963.09 - 1966.07		3344.80
1600	M10 B16	1.6	1964.04 - 1968.04		3344.80
1800	M10 B18	1.8	1963.08 - 1971.09		3344.80
1800 Ti		1.8	1963.10 - 1968.04		3344.80
2000	M10 B20	2.0	1968.09 - 1972.07		3344.80
2000 1.8	M10 B18	1.8	1970.01 - 1972.11		3344.80
2000 Ti / Tilux	M10 B20	2.0	1966.01 - 1972.07		3344.80
2000 Tii	M10 B20	2.0	1969.12 - 1972.07		3344.80
2000 3.2 Coupe (E9)					
2.5 CS	M30 B25	2.5	1974.09 - 1976.03		4235.80D
2000 C/CA	M10 B20	2.0	1965.10 - 1970.06		3344.80
2000 CS	M10 B20	2.0	1965.10 - 1970.06		3344.80
2800 CS	M30 B28	2.8	1969.01 - 1971.04		4231.80D
3.0 CS		3.0	1971.05 - 1976.03		4235.80D
3.0 Csi		3.0	1971.07 - 1976.03		4235.80D
2500 3.3 (E3)					
2.8 L	M30 B28	2.8	1975.02 - 1977.04		4231.80D
2500	M30 B25	2.5	1968.10 - 1977.04		4235.80D
2800	M30 B28	2.8	1968.10 - 1975.07		4231.80D
3.0 L		3.0	1975.02 - 1977.04		4235.80D
3.0 S		3.0	1971.05 - 1977.04		4235.80D
3.0 Si		3.0	1971.07 - 1977.04		4235.80D
3.2 Li		3.2	1975.10 - 1977.04		4231.80D
3.3 L	M30 B33 (35/40 INAT)	3.3	1974.01 - 1976.09		4235.80D
1 Serie (E81, E87)					
116 i	N45 B16, N45 B16 A, N45 B16 TU2	1.6	2004.09 -		410793.95D ▲
118 i	N42 B20 B, N43 B20 A, N46 B20	2.0	2004.09 -		4337.105D
120 i	N42 B20 A, N43 B20 A, N46 B20, N46 B20 B	2.0	2004.09 -		4337.105D
130 i	N52 B30, N52 B30 A	3.0	2005.03 -		410086.97D0 ▲
1 Serie (E82, E88)					
125 i	N52 B30 A, N53 B30 A	3.0	2007.10 -		410086.97D0 ▲
135 i	N54 B30 A	3.0	2007.10 -		410086.97D0 ▲
3 Serie (E21)					
315	M10 B16	1.6	1981.03 - 1984.03		3344.80
316	M10 B16, M10 B18	1.6	1975.08 - 1982.08		3344.80
318	M10 B18	1.8	1975.08 - 1980.08		3344.80
318 i	M10 B18	1.8	1979.11 - 1982.08		3344.80

Thermostate
Thermostats
Thermostats



BMW

	Motor Engine Moteur	Ltr. Ltr. Ltr.	Jahr Year Année	Einschränkung Restriction* Restriction*	Thermostat Thermostat Thermostat
320	M10 B20	2.0	1975.08 - 1977.08		3344.80
320 /6	M20 B20	2.0	1977.09 - 1982.08		4232.80D
320 i	M10 B20	2.0	1975.06 - 1982.08		3344.80
323 i	M20 B23	2.3	1978.01 - 1982.08		4232.80D
3 Serie (E30)					
315	M10 B16	1.6	1982.09 - 1983.10		3344.80
316	M10 B18	1.8	1982.09 - 1990.12		3344.80
316 i	M10 B18, M40 B16, M40 B16 (Kat.)	1.8	1987.08 - 1988.08 1987.09 - 1994.06		3344.80 4236.88D
318 i	M10 B18, M40 B18, M40 B18 C	1.8	1982.09 - 1988.08 1987.09 - 1994.06		3344.80 4236.88D
318 is	M42 B18	1.8	1989.09 - 1991.08		4236.88D
320 i	M20 B20	2.0	1982.09 - 1985.12 1985.12 - 1993.10		4232.80D 4235.80D
320 is	S14 204 EA	2.0	1988.05 - 1990.12		4345.80
323 i	M20 B23	2.3	1982.09 - 1986.08		4232.80D
324 d	M21 D24 W	2.4	1985.09 - 1991.08		4232.80D
324 td	M21 D24, M21 D24 WA	2.4	1987.09 - 1993.06		4232.80D
325 e 2.7	M20 B27	2.7	1983.10 - 1988.12		4235.80D
325 i	M20 B25	2.5	1983.09 - 1993.10		4235.80D
325 i X	M20 B25	2.5	1986.03 - 1993.10		4235.80D
M3 2.3	S14 B23	2.3	1986.07 - 1991.06		4345.80
M3 EVO I 2.3	S14 B23 (EVO I)	2.3	1988.10 - 1990.10		4345.80
M3 EVO II 2.5	S14 B25 (EVO II)	2.5	1990.01 - 1992.01		4345.80
3 Serie (E36)					
316 g		1.6	1995.12 - 2000.08		410792.95D ▲
316 i	M40 B16, M40 B16 (Kat.), M43 B16	1.6	1993.07 - 2000.08 1990.09 - 1993.09		410792.95D ▲ 4236.92D
318 i	M40 B18, M43 B18	1.8	1993.10 - 1999.10 1990.12 - 1993.10		410792.95D ▲ 4236.92D
318 is	M42 B18	1.8	1992.03 - 1997.09		4236.92D
318 tds	M41 D18 (Inter.)	1.7	1995.01 - 2000.08		4237.88D
318 ti	M42 B18	1.8	1994.11 - 1995.08		4236.92D
320 i	M50 B(20 6 S1), M50 B(20 6 S2) Vanos, M50 B20, M50 B20 TU, M52 B(20 6 S3) Vanos, M52 B20	2.0	1990.09 - 1992.09 1992.09 - 1995.12 1995.12 - 1999.10		4235.80D 4236.88D 4236.92D
323 i 2.5	M52 B25 (Vanos)	2.5	1995.03 - 1995.12 1995.12 - 1999.10		4236.88D 4236.92D
323 ti	M52 B25 (Vanos)	2.5	1997.08 - 2000.08		4236.92D
325 i	M50 B25, M50 B25 (Vanos), M50 B25 TU	2.5	1990.09 - 1992.09 1992.09 - 1995.12 1992.09 - 1999.04	M 50 B 25 M 52 B 25 (Vanos) M 52 B 25 (Vanos)	4235.80D 4236.88D 4236.92D
325 td	M51 D25	2.5	1991.09 - 1998.02		4237.80D
325 tds	M51 D25 (Inter.)	2.5	1993.05 - 1999.10		4237.80D
328 i	M52 B28, M52 B28 TU	2.8	1995.01 - 1995.12 1995.12 - 1999.10		4236.88D 4236.92D
M3 3.0	S50 B30	3.0	1992.10 - 1995.10		4621.80D
M3 3.2	S50 B32	3.2	1995.09 - 1999.04		4621.80D
3 Serie (E46)					
316 Ci	N45 B16 A	1.6	2002.06 -		410793.95D ▲
316 i	N42 B18, N45 B16, N45 B16 A, N46 B18, N46 B18 A	1.6	2002.06 - 2005.02 2002.02 - 2005.02	N 45 N 42, N 46	410793.95D ▲ 4337.105D
316 ti	N40 B16 A, N42 B18, N45 B16 A, N46 B18 A	1.6	2002.06 - 2005.02 2001.06 - 2005.02	N 40, N 45 N 42, N 46	410793.95D ▲ 4337.105D

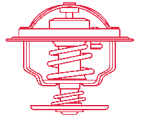


Thermostate
Thermostats
Thermostats

BMW

	Motor Engine Moteur	Ltr. Ltr. Ltr.	Jahr Year Année	Einschränkung Restriction* Restriction*	Thermostat Thermostat Thermostat
318 Ci	N42 B20, N46 B20, N46 B20 A, N46 B20 B	2.0	2001.09 - 2001.12 2001.12 -	N 42 N 42, N 46	410793.95D ▲ 4337.105D
318 i	N42 B20, N46 B20, N46 B20 A	2.0	2001.09 - 2001.12 2001.12 - 2005.02	N 42 N 42, N 46	410793.95D ▲ 4337.105D
318 ti	N42 B20, N46 B20 A	2.0	2001.09 - 2001.12 2001.12 - 2005.02	N 42 N 42, N 46	410793.95D ▲ 4337.105D
320 Ci	M52 B(20 6 S4), M52 B20, M54 226 S1, M54 B22	2.0	1999.08 - 2000.09		4326.97D
320 i	M52 B(20 6 S3) Vanos, M52 B20, M54 226 S1, M54 B22	2.0	1998.03 - 2005.02		4326.97D
323 Ci	M52 B25 (Vanos)	2.5	1999.04 - 2000.09		4326.97D
323 i	M52 B25 (Vanos), M52 B25 TU	2.5	1998.03 - 2000.09		4326.97D
325 Ci	M54 256 S5	2.5	2000.09 -		4326.97D
325 i	M54 256 S5, M54 B25	2.5	2000.09 - 2005.02		4326.97D
325 ti	M54 256 S5, M54 B25	2.5	2001.06 - 2005.02		4326.97D
325 xi	M54 256 S5	2.5	2000.09 - 2005.02		4326.97D
328 Ci	M52 B28	2.8	1999.04 - 2000.06		4326.97D
328 i	M52 B28	2.8	1998.02 - 2000.06		4326.97D
330 Ci	M54 306 S3	3.0	2000.06 -		4326.97D
330 i	M54 306 S3, M54 B30	3.0	2000.06 - 2005.02		4326.97D
330 xi	M54 306 S3	3.0	2000.06 - 2005.02		4326.97D
M3 3.2	S54 326 S4, S54 B32	3.2	2000.06 -		4621.80D
M3 CSL	S54 B32, S54N 326 S4	3.2	2003.06 -		4621.80D
3 Serie (E90 / 91 / 92 / 93)					
316 i	N45 B16, N45 B16 A, N45 B16 TU2	1.6	2006.02 -		410793.95D ▲
318 i	N46 B20, N46 B20 B	2.0	2005.09 - 2007.03		4337.105D
320 i	N46 B20, N46 B20 A, N46 B20 C, N46N B20 B	2.0	2005.01 - 2007.08		4337.105D
323 i	N52 B25 A, N52N B25 A	2.5	2006.04 - 2007.06		410086.97D0 ▲
325 i	N52 B25, N52 B25 A, N52 B25 C, N53 B30, N53 B30 A	3.0	2005.01 -		410086.97D0 ▲
325 i / xi / xDrive	N52 B25, N52 B25 A, N52 B25 C, N53 B30, N53 B30 A	2.5	2005.01 -		410086.97D0 ▲
328 i	N52N B30 A	3.0	2005.07 - 2007.11		410086.97D0 ▲
330 i	N52 B30 A, N53 B30, N53 B30 A	3.0	2007.03 -		410086.97D0 ▲
330 i / xi / xDrive	N52 B30, N52 B30 A, N53 B30, N53 B30 A	3.0	2005.01 -		410086.97D0 ▲
335 i	N54 B30 A, N54 B30 B	3.0	2007.03 -		410086.97D0 ▲
335 i / xi	N54 B30 A	3.0	2006.09 -		410086.97D0 ▲
335 i / xi / xDrive	N54 B30 A, N55 B30 A	3.0	2006.09 -		410086.97D0 ▲
5 Serie (E12)					
518	M10 B18	1.8	1974.07 - 1981.05		3344.80
518 i	M10 B20	2.0	1977.08 - 1981.08		3344.80
520	M10 B20	2.0	1972.08 - 1977.08		3344.80
520 /6	M20 B20	2.0	1977.09 - 1981.05		4232.80D
520 i	M10 B20	2.0	1972.08 - 1977.05		3344.80
525	M30 B25	2.5	1973.08 - 1981.05		4235.80D
528	M30 B28	2.8	1975.01 - 1977.08		4231.80D
528 i	M30 B28	2.8	1977.04 - 1981.05		4231.80D
M 535 i	M30 B35 (Motronic, 9.3:1)	3.4	1980.06 - 1981.08		4231.80D
5 Serie (E28)					
518	M10 B18	1.8	1981.06 - 1984.08		3344.80
518 i	M10 B18	1.8	1981.09 - 1987.12		3344.80
520 i	M20 B20	2.0	1981.06 - 1987.12 1981.06 - 1990.06	M20 B20 L-Jetr. M20 B20 K-Jetr.	4232.80D 4235.80D
524 d	M21 D24 W	2.4	1986.03 - 1987.12		4232.80D

Thermostate
Thermostats
Thermostats



BMW

	Motor Engine Moteur	Ltr. Ltr. Ltr.	Jahr Year Année	Einschränkung Restriction* Restriction*	Thermostat Thermostat Thermostat
524 td	M21 D24, M21 D24 WA	2.4	1983.09 - 1987.12		4232.80D
525 e 2.7	M20 B27	2.7	1981.09 - 1985.09 1985.09 - 1987.12		4232.80D 4235.80D
525 i		2.5	1981.06 - 1985.09 1985.09 - 1987.12		4231.80D 4235.80D
528 i	M30 B28	2.8	1981.06 - 1985.09 1985.09 - 1987.12		4232.80D 4235.80D
535 i, M 535 i	M30 B35, M30 B35 (Motronic)	3.4	1985.01 - 1985.09 1985.09 - 1987.12		4232.80D 4235.80D
5 Serie (E34)					
518 g	M43 B18	1.8	1995.11 - 1996.06		410792.95D ▲
518 i	M40 B18, M43 B18	1.8	1989.08 - 1997.01 1989.08 - 1995.09	M 43 M 40	410792.95D ▲ 4236.88D
520 i	M20 B20, M50 B(20 6 S1), M50 B(20 6 S2) Vanos, M50 B20, M50 B20 TU	2.0	1988.01 - 1991.08 1991.11 - 1992.09 1992.09 - 1997.01	M 20 B 20 M 50 M 50	4235.80D 4236.88D 4236.92D
520 i 24V	M50 B(20 6 S1), M50 B(20 6 S2) Vanos, M50 B20, M50 B20 TU	2.0	1989.09 - 1992.09 1992.09 - 1995.09		4236.88D 4236.92D
524 td	M21 D24, M21 D24 WA	2.4	1988.03 - 1995.09		4232.80D
525 i	M20 B25, M50 B25, M50 B25 TU	2.5	1988.01 - 1991.08 1991.11 - 1992.09 1992.09 - 1997.01		4235.80D 4236.88D 4236.92D
525 i 24V	M50 B25, M50 B25 TU, M52 B25 (Vanos)	2.5	1989.09 - 1995.09		4236.88D
525 i X	M50 B25, M52 B25 (Vanos)	2.5	1992.02 - 1997.01		4236.88D
525 i X 24V	M52 B25 (Vanos)	2.5	1991.10 - 1995.09		4236.88D
525 td	M51 D25	2.5	1993.03 - 1997.01		4237.80D
525 tds	M51 D25 (Inter.)	2.5	1991.09 - 1997.01		4237.80D
530 i	M30 B30	3.0	1988.01 - 1991.08		4235.80D
530 i V8	M60 B30	3.0	1992.09 - 1997.01 1992.09 - 1997.01	mit Katalysator ohne Katalysator	4516.85D 4519.95D
535 i	M30 B35	3.4	1988.01 - 1995.09		4235.80D
540 i	M60 B40	4.0	1992.09 - 1997.01 1992.09 - 1997.01	mit Katalysator ohne Katalysator	4516.85D 4519.95D
M5 3.6	S38 B36, S38 B36 (Kat)	3.6	1988.10 - 1992.05		4619.80
M5 3.8	S38 B38	3.8	1992.03 - 1997.01		4619.80
5 Serie (E39)					
520 i	M52 B(20 6 S3) Vanos, M52 B(20 6 S4), M52 B20, M54 B22	2.0	1996.01 - 1998.09 1998.09 - 2004.05	M 52 B 20 M 52 B 20, M 54 B 22	4236.92D 4326.97D
523 i	M52 B25 (Vanos), M52 B25 TU	2.5	1995.11 - 1998.09 1998.09 - 2000.09		4236.92D 4326.97D
525 i	M54 256 S5, M54 B25	2.5	2000.09 - 2004.05		4326.97D
525 td	M51 D25	2.5	1997.01 - 2003.06		4237.80D
525 tds	M51 D25 (Inter.)	2.5	1996.01 - 2004.05		4237.80D
528 i	M52 B28, M52 B28 TU	2.8	1995.11 - 1998.09 1998.09 - 2000.09		4236.92D 4326.97D
530 i	M54 306 S3, M54 B30	3.0	2000.09 - 2004.05		4326.97D
5 Serie (E60)					
520 i	M54 226 S1, M54 B22	2.2	2003.07 -		4326.97D
523 i	N52 B25, N52 B25 A	2.5	2005.07 -		410086.97D0 ▲
525 i / xi / xDrive	M54 256 S5, M54 B25, N52 B25, N52 B25 A, N53 B30, N53 B30 A	3.0	2003.09 - 2005.07 -	M 54 N 52 / N 53	4326.97D 410086.97D0 ▲
530 i / xi / xDrive	M54 306 S3, M54 B30, N52 B30, N52 B30 A, N53 B30, N53 B30 A	3.0	2003.07 - 2005.07 -	M 54 N 52 / N 53	4326.97D 410086.97D0 ▲

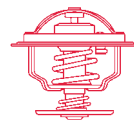


Thermostate
Thermostats
Thermostats

BMW

	Motor Engine Moteur	Ltr. Ltr. Ltr.	Jahr Year Année	Einschränkung Restriction* Restriction*	Thermostat Thermostat Thermostat
540 i	N62 B40 A	4.0	2005.07 -		4508.105D
545 i	N62 B44	4.4	2003.09 -		4508.105D
550 i	N62 B48 B	4.8	2005.07 -		4508.105D
5 Serie (E61)					
520 i	M54 226 S1	2.2	2004.06 -		4326.97D
523 i	N52 B25, N52 B25 A	2.5	2005.07 -		410086.97D0 ▲
525 i / xi	M54 256 S5, M54 B25, N52 B25, N52 B25 A, N53 B30, N53 B30 A	3.0	2004.06 - 2005.07 -	M 54 N 52 / N 53	4326.97D 410086.97D0 ▲
525 i / xi / xDrive	N53 B30 A	3.0	2008.09 -		410086.97D0 ▲
530 i / xi / xDrive	M54 306 S3, M54 B30, N52 B30, N52 B30 A, N53 B30, N53 B30 A	3.0	2004.06 - 2005.07 -	M 54 N 52 / N 53	4326.97D 410086.97D0 ▲
545 i	N62 B44	4.4	2004.06 -		4508.105D
550 i	N62 B48 A, N62 B48 B	4.8	2005.07 -		4508.105D
5 (F10)					
550 i	N63 B44 A	4.4	2010.03 -		4508.105D
5 GRAN TURISMO (F07)					
550 i	N63 B44 A	4.4	2009.10 -		4508.105D
6 Serie (E24)					
628 CSi	M30 B28	2.8	1979.09 - 1985.08 1985.09 - 1987.08		4231.80D 4235.80D
630 CS	M30 B30	3.0	1976.04 - 1979.08		4235.80D
633 CSi	M30 B32	3.2	1976.04 - 1984.08		4231.80D
635 CSi	M30 B35, M30 B35 (L-Jetronic, 10:1), M30 B35 (Motronic, 10:1), M30 B35 (Motronic, 8:1, Kat.), M30 B35 (Motronic, 9.3:1)	3.4	1978.06 - 1985.07 1985.08 - 1990.09		4231.80D 4235.80D
6 Serie (E63)					
630 i	N52 B30, N52 B30 A, N53 B30	3.0	2004.09 -		410086.97D0 ▲
645Ci	N62 B44, N62 B44 A	4.4	2004.01 -		4508.105D
650 i	N62 B48 B	4.8	2005.07 -		4508.105D
6 Serie (E64)					
630 i	N52 B30, N52 B30 A, N53 B30	3.0	2004.09 -		410086.97D0 ▲
645Ci	N62 B44, N62 B44 A	4.4	2004.04 -		4508.105D
650 i	N62 B48 B	4.8	2005.07 -		4508.105D
6 Cabriolet (F12)					
650 i	N63 B44 A	4.4	2011.03 -		4508.105D
6 Coupe (F13)					
650 i	N63 B44 A	4.4	2011.06 -		4508.105D
7 Serie (E23)					
728	M30 B28	2.8	1977.05 - 1979.08		4231.80D
728 i	M30 B28	2.8	1978.07 - 1986.08		4235.80D
730	M30 B30	3.0	1977.05 - 1979.08		4235.80D
733 i	M30 B32	3.2	1977.05 - 1979.09		4231.80D
735 i	M30 B35 (Motronic), M30 B35 (Motronic, 10:1), M30 B35 (Motronic, 8:1, Kat.), M30 B35 (Motronic, 9.3:1)	3.4	1979.09 - 1986.08 1979.09 - 1986.08	9:1 / 3:1 8:1 / 10:1	4231.80D 4235.80D
745 i	M30 B32 (Turbo), M30 B35	3.2	1980.04 - 1986.08		4231.80D

Thermostate
Thermostats
Thermostats



BMW

	Motor Engine Moteur	Ltr. Ltr. Ltr.	Jahr Year Année	Einschränkung Restriction* Restriction*	Thermostat Thermostat Thermostat
7 Serie (E32)					
730 i	M30 B30	3.0	1986.12 - 1994.09		4235.80D
730 i V8	M60 B30	3.0	1992.04 - 1994.09 1992.04 - 1994.09	mit Katalysator ohne Katalysator	4516.85D 4519.95D
735 i	M30 B35, M30 B35 (Motronic, 9.2:1)	3.4	1986.09 - 1992.09		4235.80D
740 i V8	M60 B40	4.0	1992.04 - 1994.09 1992.04 - 1994.09	mit Katalysator ohne Katalysator	4516.85D 4519.95D
750 i V12	M70 B50	5.0	1987.09 - 1994.09 1987.09 - 1994.09		4516.70D 4516.85D
7 Serie (E38)					
725 tds	M51 D25 (Inter.)	2.5	1996.04 - 2001.11		4237.80D
728 i	M52 B28, M52 B28 TU	2.8	1995.08 - 1998.09 1998.09 - 2001.11		4236.92D 4326.97D
730 i	M60 B30	3.0	1994.10 - 2001.11 1994.10 - 2001.11	mit Katalysator ohne Katalysator	4516.85D 4519.95D
740 i	M60 B40	4.0	1994.10 - 2001.11 1994.10 - 2001.11	mit Katalysator ohne Katalysator	4516.85D 4519.95D
750 i	M73 B54	5.4	1994.12 - 2001.11		4594.90D
7 Serie (E65, E66)					
730 i	M54 306 S3, M54 B30, N52 B30, N52 B30 A	3.0	2003.03 - 2005.03 -	M 54 N 52	4326.97D 410086.97D0 ▲
735 i	N62 B36, N62 B40 A	4.0	2001.11 -		4508.105D
740 i	N62 B40 A	4.0	2005.07 -		4508.105D
745 i	N62 B44, N62 B44 A	4.4	2001.11 -		4508.105D
750 i	N62 B48 B	4.8	2005.07 -		4508.105D
760	N73 B60 A	6.0	2003.02 - 2005.08		4508.105D
760 i	N73 B60	6.0	2003.01 -		4508.105D
7 (F01, F02, F03, F04)					
750 i	N63 B44 A	4.4	2008.10 -		4508.105D
760 i	N74 B60 A	6.0	2009.09 -		4508.105D
ActiveHybrid	N63 B44 A	4.4	2010.10 -		4508.105D
8 Serie (E31)					
840 i	M60 B40	4.0	1993.02 - 1996.02 1993.02 - 1996.02	mit Katalysator ohne Katalysator	4516.85D 4519.95D
850 Ci	M73 B54	5.4	1994.09 - 1999.12		4594.90D
850 CSi	M70 B56	5.6	1993.04 - 1996.12		4516.85D
850 i,Ci	M70 B50	5.0	1990.04 - 1994.10 1990.04 - 1994.10		4516.70D 4516.85D
M1					
3.5	M88 B35	3.5	1979.05 - 1983.05		4231.80D
X1 (E84)					
sDrive 18i	N46 B20 B	2.0	2010.01 -		4337.105D
xDrive 25i	N52 B30 A	3.0	2010.01 -		410086.97D0 ▲
xDrive 28i	N52 B30 A	3.0	2009.10 -		410086.97D0 ▲
X3 (E83)					
2.0 i	N46 B20, N46 B20 A	2.0	2005.07 -		4337.105D
2.5 i	M54 256 S5, M54 B25	2.5	2004.01 -		4326.97D
2.5 si	N52 B25 A	2.5	2006.09 -		410086.97D0 ▲
3.0 i	M54 306 S3, M54 B30	3.0	2004.01 -		4326.97D
3.0 si	N52 B30 A	3.0	2006.09 -		410086.97D0 ▲

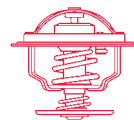


Thermostate
Thermostats
Thermostats

BMW

	Motor Engine Moteur	Ltr. Ltr. Ltr.	Jahr Year Année	Einschränkung Restriction* Restriction*	Thermostat Thermostat Thermostat
xDrive 20i		2.0	2008.09 -		4337.105D
xDrive 25i	N52 B25 A	2.5	2008.09 -		410086.97D0 ▲
xDrive 30i	N52 B30 A	3.0	2008.09 -		410086.97D0 ▲
X5 (E53)					
3.0 i	M54 306 S3, M54 B30	3.0	2000.05 -		4326.97D
4.4 i	N62 B44, N62 B44 A	4.4	2003.12 -		4508.105D
4.8 is	N62 B48 A	4.8	2004.04 -		4508.105D
X5 (E70)					
3.0 si	N52 B30, N52 B30 A	3.0	2007.02 -		410087.97D0 ▲
4.8 i	N62 B48 B	4.8	2007.02 -		4508.105D
M	S63 B44 A	4.4	2009.09 -		4508.105D
xDrive 30i	N52 B30 A	3.0	2008.09 -		410087.97D0 ▲
xDrive 48i	N62 B48 B	4.8	2008.09 -		4508.105D
xDrive 50i		4.4	2010.06 -		4508.105D
X6 (E71, E72)					
35 i	N54 B30 A	3.0	2008.05 -		410087.97D0 ▲
50 i	N63 B44 A	4.4	2008.05 -		4508.105D
M	S63 B44 A	4.4	2009.09 -		4508.105D
Z1					
2.5	M20 B25	2.5	1988.06 - 1991.06		4235.80D
Z3 (E36)					
1.8	M43 B18	1.8	1995.10 - 1998.10		410792.95D ▲
2.0	M52 B(20 6 S4), M52 B20	2.0	1999.04 - 2003.01		4326.97D
2.2	M54 226 S1, M54 B22	2.2	2000.08 - 2003.01		4326.97D
2.8	M52 B28, M52 B28 TU	2.8	1997.04 - 1998.09 1998.09 - 2000.06		4236.92D 4326.97D
3.0	M54 306 S3, M54 B30	3.0	2000.06 - 2003.06		4326.97D
3.2 M	S50 326 S4	3.2	2000.04 - 2001.04		4621.80D
M 3.2	S50 B32, S54 326 S4, S54 B32, S54 B32 (32 6 S4)	3.2	1997.03 - 2003.06		4621.80D
2.8	M52 B28, M52 B28 TU	2.8	1997.04 - 1998.09 1998.09 - 2000.06		4236.92D 4326.97D
3.0	M54 306 S3, M54 B30	3.0	2000.06 - 2003.06		4326.97D
M	S50 326 S4	3.2	2000.08 - 2003.06		4621.80D
M 3.2	S50 B32, S54 326 S4, S54 B32, S54 B32 (32 6 S4)	3.2	1997.03 - 2003.06		4621.80D
Z4 (E85, E86)					
2.0 i	N46 B20, N46 B20 A	2.0	2005.04 -		4337.105D
2.2 i	M54 226 S1, M54 B22	2.2	2003.10 -		4326.97D
2.5 i	M54 256 S5, M54 B25, N52 B25 A	2.5	2006.01 - 2003.02 -	N 52 M 54	410086.97D0 ▲ 4326.97D
2.5 si	N52 B25 A	2.5	2006.01 -		410086.97D0 ▲
3.0 i	M54 306 S3, M54 B30	3.0	2003.02 -		4326.97D
3.0 si	N52 B30, N52 B30 A	3.0	2006.01 -		410086.97D0 ▲
3.2 M	S54 326 S4, S54 B32	3.2	2006.03 -		4621.80D
Z4 (E89)					
sDrive 23i	N52 B25 A	2.5	2009.05 -		410086.97D0 ▲
sDrive 30i	N52 B30 A	3.0	2009.05 -		410086.97D0 ▲
sDrive 35i	N54 B30 A	3.0	2009.05 -		410086.97D0 ▲

Thermostate
Thermostats
Thermostats



CHEVROLET

	Motor Engine Moteur	Ltr. Ltr. Ltr.	Jahr Year Année	Einschränkung Restriction* Restriction*	Thermostat Thermostat Thermostat
ASTRA					
2.0 Dti	Y 20 DTH	2.0	2002.08 -	Motornummer →17B49754	4198.92D
			2002.08 -	Motornummer 17B49755→ →2(2/5/6/8/B/H) 999999	4428.92D
			2002.08 -	Motornummer 3(2/5/6/8/B/H) 999999→	4433.92D
AVEO					
1.2	F12S3	1.2	2006.03 -	SOHC	3017.87D2
CAMARO '70					
5.0	LG4	5.0	1970.01 - 1983.01		3000.83
CAMARO '81					
5.0	LG4	5.0	1981.12 - 1992.12		3000.83
CAPRICE '70					
5.0	LG4	5.0	1970.01 - 1983.12		3000.83
CAPRICE '83					
5.7		5.7	1983.01 - 1990.01		3000.83
CAPTIVA					
2.4	Z 24 SED	2.4	2006.06 -		4189.87D
CORVETTE '83					
5.6		5.6	1985.01 - 1997.01		3000.83
5.7	L98	5.7	1989.01 - 1997.01		3000.83
KALOS					
1.2	B12S1	1.2	2005.03 -		410183.88D ▲
1.4	F14S3	1.4	2005.03 -		410183.88D ▲
LACETTI					
1.8	T18SED	1.8	2005.03 -		4189.87D
MATIZ					
0.8	F8CV	0.8	2005.03 -		410183.88D ▲
1.0	B10S, B10S1	1.0	2005.03 -		410183.88D ▲
MONTE CARLO					
3.8	LC3	3.8	1970.01 -		3000.83
NUBIRA					
1.6	F16D3	1.6	2005.03 -		3017.87D2
1.8	T18SED	1.8	2005.03 -		4189.87D
OPTRA					
2.0	X 20 SED	2.0	1999.06 - 2003.07		4189.87D

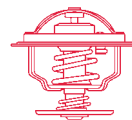


Thermostate
Thermostats
Thermostats

CHRYSLER

	Motor Engine Moteur	Ltr. Ltr. Ltr.	Jahr Year Année	Einschränkung Restriction* Restriction*	Thermostat Thermostat Thermostat
CROSSFIRE					
3.2	EGX	3.2	2003.07 -		4281.87D
NEON					
1.6	EJD	1.6	2001.11 -		410262.91D ▲
1.8 16V	EBD	1.8	1997.09 - 1999.08		410262.91D ▲
2.0 16V	420H, 420T, ECC, ECH	2.0	1994.05 - 1999.08		410262.91D ▲
PT CRUISER					
1.6	EJD	1.6	2001.11 -		410262.91D ▲
2.0	ECC	2.0	2000.06 -		410262.91D ▲
2.4	EDZ	2.4	2000.06 -		410262.91D ▲
2.4 GT	EDV	2.4	2004.03 -		410262.91D ▲
GT 2.4	EDV	2.4	2003.08 -		410262.91D ▲
SEBRING					
2.0	ECC	2.0	2001.04 -		410262.91D ▲
2.4	EDZ	2.4	2001.04 -		410262.91D ▲
STRATUS					
2.0 16V	ECB	2.0	1995.12 -		410262.91D ▲
2.0 LE	420X, C00	2.0	1995.12 - 2001.04		410262.91D ▲
2.4 16 V	EDZ	2.4	1995.12 - 2001.04		410262.91D ▲
2.5 LX	625H	2.5	1996.04 - 2001.04		410180.82D ▲
2.5 LX V6	EEB, H00	2.5	1995.12 - 2001.04		410180.82D ▲
2.5 V6		2.5	1995.12 -		410180.82D ▲
VOYAGER II (GS)					
2.5 TD	425 CLIRS/X	2.5	1995.01 - 2001.03		4158.80D

Thermostate
Thermostats
Thermostats



CITROËN

	Motor Engine Moteur	Ltr. Ltr. Ltr.	Jahr Year Année	Einschränkung Restriction* Restriction*	Thermostat Thermostat Thermostat
AX					
1.3 Sport	M4A	1.3	1987.04 - 1988.12		3136.88D50
1.4	K2A	1.4	1986.09 - 1994.04		3136.88D50
1.4 D	K9A (TUD3)	1.4	1991.06 - 1992.07		3136.88D50
1.4 GTi	KFY (TU3FJ2), KFZ (TU3FJ2)	1.4	1991.06 - 1996.12		3136.88D50
10	C1A, CDY (TU9M), CDZ (TU9M)	1.0	1986.07 - 1998.12		3136.88D50
10 E	C3A	1.0	1986.12 - 1988.12		3136.82D50
11	H1A, H1B, HAZ (TU1CP), HDZ (TU1M)	1.1	1986.09 - 1997.12		3136.88D50
14	K1F, K2A, K2B, KAY (TU3CP), KDX (TU3M/Z), KDY (TU3FM), KDY (TU3M), KDZ (TU3M/Z)	1.4	1986.12 - 1997.04		3136.88D50
14 D	K9A (TUD3), K9Y (TUD3Y)	1.4	1988.09 - 1997.12		4821.89D
15 D	VJY (TUD5), VJZ (TUD5)	1.5	1994.08 - 1997.12		4821.89D
BERLINGO					
1.1 i	HDZ (TU1M), HFX (TU1JP)	1.1	1996.07 - 1996.07 -	TU1M TU1JP	3136.88D50 410184.89D ▲
1.4 bivalent		1.4	2002.11 -		3463.89D
1.4 i	KFW (TU3JP), KFX (TU3JP)	1.4	1996.07 - 1996.07 -	Organisationsnr. →O 08210 Organisationsnr. O 08211→	3136.88D50 410184.89D ▲
1.4 i bivalent	KFW (TU3JP)	1.4	2003.04 -		3463.89D
1.6	NFR (TU5JP4B), NFU (TU5JP4)	1.6	2008.04 -		410705.89D ▲
1.6 16V	NFU (TU5JP4)	1.6	2000.10 -		3463.89D
1.8 D	A9A (XUD7)	1.8	1996.07 -		4446.83D
1.8 i	LFX (XU7JB)	1.8	1997.04 - 2002.10		3136.82D50
1.9 D	D9B (XUD9A/L), DJY (XUD9A), WJY (DW8B), WJZ (DW8)	1.9	1996.07 - 1999.10		4446.83D
2.0 HDi	DW10TD	2.0	2002.11 - 2005.10		4446.83D
2.0 HDI 90	RHY (DW10TD)	2.0	1999.12 -		4446.83D
BX					
1.6	B6D, B6E	1.6	1987.01 - 1992.01 1987.01 - 1992.01		3136.82D50 3136.88D50
1.9 DT TXD		1.9	1992.02 - 1994.12		4446.83D
1.9 GTi		1.9	1990.01 - 1994.06 1990.01 - 1994.06		3136.82D50 3136.88D50
1.9 RD		1.9	1987.01 - 1992.01 1987.01 - 1992.01	Organisationsnr. →O 5637 Organisationsnr. O 5638→	4147.80D 4446.83D
11	HDZ (TU1M)	1.1	1986.10 - 1992.06 1986.10 - 1992.06		3136.82D50 3136.88D50
14	150C, K1H (TU3A), KDY (TU3M), KDZ (TU3M/Z)	1.4	1986.01 - 1993.02 1986.01 - 1993.02		3136.82D50 3136.88D50
14 E	150A, 150C, 150F, K1G	1.4	1982.10 - 1993.02 1983.04 - 1993.02		3136.82D50 3136.88D50
15	B1E (XU51C)	1.6	1987.10 - 1992.05 1987.10 - 1992.05		3136.82D50 3136.88D50
16	171A, 171B, 171C, 171D, 180Z, B1A (XU51C/K), B1E (XU51C), BAY (XU5CP), BAZ (XU5CP), BDY (XU5M), BDZ (XU5M), XU52C	1.6	1982.10 - 1994.12 1982.10 - 1994.12		3136.82D50 3136.88D50
16 E	BDY (XU5M), BDZ (XU5M)	1.6	1989.05 - 1993.02 1989.05 - 1993.02		3136.82D50 3136.88D50

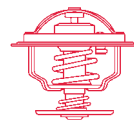


Thermostate
Thermostats
Thermostats

CITROËN

	Motor Engine Moteur	Ltr. Ltr. Ltr.	Jahr Year Année	Einschränkung Restriction* Restriction*	Thermostat Thermostat Thermostat
18 D	161 (XUD7), 161A (XUD7)	1.8	1985.10 - 1993.09	Organisationsnr. →O 5637	4147.80D
			1985.10 - 1993.09	Organisationsnr. O 5638→	4446.83D
19	159A, D2A (XU92C), D2C (XU92C), DDZ (XU9M), DFZ (XU9J1), DKZ (XU9JA)	1.9	1986.07 - 1994.12		3136.82D50
			1986.07 - 1994.12		3136.88D50
19 D	162 (XUD9), D9A (XUD9), D9B (XUD9A/U)	1.9	1983.09 - 1994.12	Organisationsnr. →O 5637	4147.80D
			1983.09 - 1994.12	Organisationsnr. O 5638→	4446.83D
19 E	D2F, DDZ (XU9M)	1.9	1988.06 - 1993.02		3136.82D50
19 Gti	D6A (XU9J2), DKZ (XU9JA)	1.9	1986.07 - 1993.02		3136.82D50
			1986.07 - 1993.02		3136.88D50
19 GTi 16V	D6C (XU9J4), DFW (XU9J4)	1.9	1987.09 - 1993.02		3136.82D50
TRD Turbo	A8A (XUD7TE), AJZ (XUD7TE)	1.8	1988.03 - 1994.12	Organisationsnr. →O 5637	4147.80D
			1988.03 - 1994.12	Organisationsnr. O 5638→	4446.83D
C 2					
1.1	HFX (TU1JP)	1.1	2003.09 -		410184.89D ▲
1.4	KFV (TU3JP)	1.4	2003.09 -		410184.89D ▲
1.4 16V	KFU (ET3J4)	1.4	2006.06 -		410705.89D ▲
1.6	NFU (TU5JP4)	1.6	2003.09 -	Organisationsnr. →10401	410184.89D ▲
			2003.09 -	Organisationsnr. 10402→	410705.89D ▲
1.6 VTS	NFS (TU5JP4S)	1.6	2005.01 -	Organisationsnr. →10401	410184.89D ▲
			2005.01 -	Organisationsnr. 10402→	410705.89D ▲
C 3					
1.1 i	HFX (TU1JP)	1.1	2002.02 -		410184.89D ▲
1.4	KFV (TU3JP)	1.4	2003.05 -		410184.89D ▲
1.4 16V	KFU (ET3J4)	1.4	2003.12 -	Organisationsnr. →10373	410184.89D ▲
			2003.12 -	Organisationsnr. 10374→	410705.89D ▲
1.4 Hybrid	KFV (TU3JP)	1.4	2005.05 -		410184.89D ▲
1.4 i	KFV (TU3JP)	1.4	2002.02 -		410184.89D ▲
1.4 i Bivalent	KFV (TU3JP)	1.4	2002.02 -		410184.89D ▲
1.6	NFU (TU5JP4)	1.6	2003.05 -	Organisationsnr. →10401	410184.89D ▲
			2003.05 -	Organisationsnr. 10402→	410705.89D ▲
1.6 16V	NFU (TU5JP4)	1.6	2002.02 -	Organisationsnr. →10401	410184.89D ▲
			2002.02 -	Organisationsnr. 10402→	410705.89D ▲
C 4					
1.4 16V	KFU (ET3J4)	1.4	2004.11 -	Organisationsnr. →10436	3463.89D
			2004.11 -	Organisationsnr. 10437→	410705.89D ▲

Thermostate
Thermostats
Thermostats



CITROËN

	Motor Engine Moteur	Ltr. Ltr. Ltr.	Jahr Year Année	Einschränkung Restriction* Restriction*	Thermostat Thermostat Thermostat
1.6 16V	NFU (TU5JP4)	1.6	2004.11 - 2004.11 -	Organisationsnr. →10436 Organisationsnr. 10437→	3463.89D 410705.89D ▲
1.8 i 16V	6FY-EW7A	1.8	2006.10 -	Organisationsnr. 11074→	3483.89D
2.0 16V	EW10J4S, RFK (EW10J4S), RFN (EW10J4)	2.0	2004.11 -		3483.89D
2.0 i 16V	RFJ (EW10A)	2.0	2006.10 -	Organisationsnr. 11074→	3483.89D
C 5					
1.8 16V	6FY-EW7A, 6FZ (EW7J4)	1.8	2001.03 - 2004.08	Organisationsnr. 10921→	3483.89D
2.0 16V	EW10A, RFJ (EW10A), RFN (EW10J4)	2.0	2001.03 - 2004.08		3483.89D
2.0 16V BioFlex	RFJ (EW10A)	2.0	2008.02 -		3483.89D
2.0 16V Hpi	RLZ (EW10D)	2.0	2001.03 - 2004.08		3483.89D
2.0 HDi	RHR (DW10BTED4), RHS (DW10ATED), RHY (DW10TD), RHZ (DW10ATED)	2.0	2001.03 - 2004.08		4446.83D
2.2 HDi	4HX (DW12TED4/FAP)	2.2	2001.03 - 2004.08		4446.83D
C 8					
2.0	RFN (EW10J4)	2.0	2002.07 -		3483.89D
2.0 16V	RFJ (EW10A)	2.0	2005.09 -		3483.89D
2.0 HDi	RHM (DW10ATED4), RHT (DW10ATED4), RHW (DW10ATED4)	2.0	2002.07 -		4446.83D
2.2	3FZ (EW12J4)	2.2	2002.07 -		3483.89D
2.2 HDi	4HW (DW12TED4)	2.2	2002.07 -		4446.83D
C 15					
1.0	TU9, XV8	1.0	1984.10 - 1997.12 1984.10 - 1997.12	Organisationsnr. →O 4195 Organisationsnr. O 4196→	3136.82D50 3136.88D50
1.0 E		1.0	1992.11 - 1996.07 1992.11 - 1996.07	Organisationsnr. →O 4195 Organisationsnr. O 4196→	3136.82D50 3136.88D50
1.1	109K, E1A, H1A	1.1	1984.10 - 1996.12 1984.10 - 1996.12	Organisationsnr. →O 4195 Organisationsnr. O 4196→	3136.82D50 3136.88D50
1.1 i	HDZ (TU1M)	1.1	1988.07 - 1996.12		3136.88D50
1.4	K1H (TU3A)	1.4	1987.07 - 1996.12 1987.07 - 1996.12	Organisationsnr. →O 4195 Organisationsnr. O 4196→	3136.82D50 3136.88D50
1.4 E	150D (XY7), K3A	1.4	1987.05 - 1996.12 1987.05 - 1996.12	Organisationsnr. →O 04195 Organisationsnr. O 04196→	3136.82D50 3136.88D50
1.4 i	KDY (TU3FM), KDY (TU3M)	1.4	1991.05 - 1996.12		3136.88D50
1.8 D	161A (XUD7)	1.8	1986.07 - 2000.12 1986.07 - 2000.12	Organisationsnr. →O 5653 Organisationsnr. O 5654→	4147.80D 4446.83D

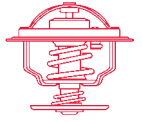


Thermostate
Thermostats
Thermostats

CITROËN

	Motor Engine Moteur	Ltr. Ltr. Ltr.	Jahr Year Année	Einschränkung Restriction* Restriction*	Thermostat Thermostat Thermostat
1.9 D		1.9	2000.12 - 2005.12		4446.83D
C 25					
1.8 E	169 (XM7T)	1.8	1987.07 - 1994.02		3061.82
1.9 DT		1.9	1991.10 - 1994.01		3431.80D
1.9 TD	M705	1.9	1992.04 - 1994.02		3431.80D
2.0	170C (XN1T)	2.0	1987.01 - 1994.03		3061.82
2.0 E	170A (XN1T), 170B (XN1T)	2.0	1981.09 - 1994.03		3061.82
2.5 D	CRD93L (U25-661)	2.5	1985.10 - 1994.02		3033.84
2.5 D Turbo	CRD93LS (U25-673)	2.5	1987.08 - 1994.02		3033.84
CX					
20	829 A5	2.0	1985.08 - 1986.08		3033.84
20 RE	829 A5	2.0	1985.08 - 1992.12		3033.84
2000	829 A5, M20-616	2.0	1974.09 - 1985.08		3033.84
22 TRS	J6T A500	2.2	1985.07 - 1992.12		3033.84
2200	J6T A500, M22-617	2.2	1974.09 - 1985.08		3033.84
2400	M23-623, M23-639	2.3	1976.08 - 1982.05		3033.84
2400 GTi	M23-622	2.3	1977.06 - 1983.06		3033.84
25 D	M25-660	2.5	1985.08 - 1992.12		3033.84
25 D Turbo	M25-648, M25-669	2.5	1983.04 - 1992.12		3033.84
25 D Turbo 2	M25-669	2.5	1987.01 - 1992.12		3033.84
25 GTi	M25-668	2.5	1986.05 - 1992.12		3033.84
25 GTi Turbo 2	M25-662, M25-667	2.5	1984.06 - 1992.12		3033.84
25 i	M25-668	2.5	1986.05 - 1992.12		3033.84
25 TRI	M25-659	2.5	1983.07 - 1992.12		3033.84
2500 D	M25-629	2.5	1978.02 - 1985.08		3033.84
2500 D Turbo	M25-648	2.5	1983.04 - 1986.12		3033.84
EVASION (22, U6)					
1.8	LFZ (XU7JP)	1.8	1996.02 - 2002.07	Organisationsnr. →O 07195	3136.88D50
			1996.02 - 1996.12	Organisationsnr. O 07196→	3136.82D50
1.9 TD	D8B (XUD9TF), DHX (XUD9TF/BTF)	1.9	1994.11 - 2002.07		4446.83D
2.0	RFU (XU10J2/C)	2.0	1994.06 - 2002.07	Organisationsnr. →O 07195	3136.88D50
			1994.06 - 2002.07	Organisationsnr. O 07196→	3136.82D50
2.0 16V	RFN (EW10J4), RFV (XU10J4R)	2.0	2000.05 - 2002.07 1998.05 - 2000.04		3463.89D 4450.83D
2.0 HDI	RHZ (DW10ATED)	2.0	1999.08 - 2002.07		4446.83D
2.0 TD		2.0	1997.05 - 2002.07	DW10	4446.83D
2.0 Turbo C.T.	RGX (XU10J2TE)	2.0	1994.06 - 2002.07	Organisationsnr. →O 07195	3136.88D50
			1994.06 - 2002.07	Organisationsnr. O 07196→	3136.82D50
2.1 TD	P8C (XUD11BTE)	2.1	1996.05 - 2002.07		4446.83D
JUMPER (230)					
1.9 D	D9B (XUD9A/U), DJY (XUD9A)	1.9	1994.02 - 2002.04		4446.83D
1.9 TD	D8C (XUD9UTF), DHX (XUD9TF/BTF)	1.9	1994.02 - 2002.04		4450.83D
2.0	RFW (XU10J2U)	2.0	1994.02 - 2002.04	Organisationsnr. →O 07195	3136.88D50
			1994.02 - 2002.04	Organisationsnr. O 07196→	3136.82D50
2.0 HDI	DW10UTD	2.0	2001.11 - 2002.04		4446.83D
2.5 D	T9A (DJ5)	2.5	1994.03 - 2002.04		410058.84D ▲

Thermostate
Thermostats
Thermostats



CITROËN

	Motor Engine Moteur	Ltr. Ltr. Ltr.	Jahr Year Année	Einschränkung Restriction* Restriction*	Thermostat Thermostat Thermostat
2.5 TD	T8A (DJ5T)	2.5	1994.03 - 2002.04		410058.84D ▲
2.5 TDi	THX (DJ5TED)	2.5	1996.12 - 2002.04		410058.84D ▲
2.8 HDi	8140.43S	2.8	2000.09 - 2002.04		4174.82D
JUMPER (244)					
2.0	XU10J2	2.0	2002.04 -		3136.82D50
2.0 bivalent	XU10J2	2.0	2003.02 -		3136.82D50
2.0 HDi	DW10UTD	2.0	2002.04 -		4446.83D
2.0 i	RFH (EW10A)	2.0	2007.01 -		3483.89D
2.2 HDi	DW12TED	2.2	2002.04 -		4446.83D
2.2 HDi 16V	DW12TED	2.2	2002.04 -		4446.83D
2.8 HDi	8140.43N, 8140.43S	2.8	2002.04 -		4174.82D
JUMPER					
2.2 HDi 100	4HV	2.2	2006.04 -		3497.88D
2.2 HDi 120	4HU	2.2	2006.04 -		3497.88D
JUMPY					
1.9 D	D9B (XUD9A/U)	1.9	1995.10 - 1998.04		4446.83D
1.9 D 70	WJZ (DW8)	1.9	1998.04 -		4446.83D
1.9 TD	D8B (XUD9TF), DHX (XUD9TF/BTF)	1.9	1995.10 -		4446.83D
2.0	RFN (EW10J4)	2.0	2000.04 - 2006.12		3463.89D
2.0 HDi 110	RHZ (DW10ATED)	2.0	2000.03 -		4446.83D
2.0 HDi 95	RHX, RHX (DW10BTED)	2.0	1999.10 -		4446.83D
2.0 i	RFH (EW10A)	2.0	2007.01 -		3483.89D
2.0 i 16V		2.0	2000.03 -		3463.89D
LNA					
0.6	V06 644	0.6	1982.07 - 1985.04		3136.82D50
1.0	108C	1.0	1984.07 - 1986.10		3136.82D50
1.1	109/5E	1.1	1982.07 - 1985.04		3136.82D50
NEMO					
1.4	KFV (TU3A)	1.4	2008.02 -		410184.89D ▲
SAXO					
1.0 X	CDZ (TU9M)	1.0	1996.05 - 2003.06		3136.88D50
1.1 X,SX	HDZ (TU1M), HFX (TU1JP)	1.1	1996.05 - 2003.09	TU1M	3136.88D50
			1996.05 - 2003.09	TU1JP	410184.89D ▲
1.4 VTS	KFW (TU3JP), KFX (TU3JP)	1.4	1996.05 - 2003.06		3136.88D50
1.5 D	VJY (TUD5), VJZ (TUD5)	1.5	1996.09 - 2004.04		4821.89D
1.6	NFT, NFX (TU5JP4), NFZ (TU5JP)	1.6	2001.02 - 2004.04	Automatikgetriebe 74 kW	3463.89D
			1996.02 - 2004.04	Organisationsnr. →08210	3136.88D50
			1996.02 - 2004.04	66 kW 88 kW Organisationsnr. 08211→ Schaltgetriebe 66 kW 74 kW	410184.89D ▲
1.6 VTL,VTR	NFZ (TU5JP)	1.6	1996.05 - 2003.06		3136.88D50
1.6 VTR		1.6	1996.05 - 1999.07	80 kW	3136.88D50
1.6 VTS	NFT, NFX (TU5JP4)	1.6	1996.06 - 2003.09	87 kW 72 kW	3136.88D50
VISA					
1.0		1.0	1984.09 - 1988.06		3136.82D50

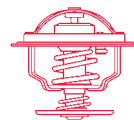


Thermostate
Thermostats
Thermostat

CITROËN

	Motor Engine Moteur	Ltr. Ltr. Ltr.	Jahr Year Année	Einschränkung Restriction* Restriction*	Thermostat Thermostat Thermostat
11 E	109/5, 109/5F, 109K	1.1	1978.09 - 1991.03		3136.82D50
11 RE	109/5F	1.1	1983.03 - 1988.10		3136.82D50
14	150D (XY7)	1.4	1984.07 - 1991.03		3136.82D50
14 GT	150B (XY8)	1.4	1982.03 - 1991.03		3136.82D50
16 GTI	180A (XU5J), B6D	1.6	1985.01 - 1991.03		3136.82D50
17 D	161A (XUD7)	1.8	1984.04 - 1991.03		4147.80D
II Super X	129/5	1.2	1980.07 - 1982.06		3136.82D50
XANTIA (X1)					
1.6 i	BFZ (XU5JP)	1.6	1993.03 - 1998.01 1993.03 - 1998.01		3136.82D50 3136.88D50
1.8 i	LFX (XU7JB), LFZ (XU7JP)	1.8	1993.03 - 1998.01 1993.03 - 1998.01		3136.82D50 3136.88D50
1.8 i 16V	LFY (XU7JP4)	1.8	1995.06 - 1998.01		4450.83D
1.9 D	D9B (XUD9A/L), DJZ (XUD9Y)	1.9	1994.06 - 1998.01		4446.83D
1.9 SD	DHW (XUD9SD)	1.9	1996.02 - 1998.01		4446.83D
1.9 Turbo D	D8B (XUD9TF), DHX (XUD9TF/BTF), DHY (XUD9TE/Y)	1.9	1994.10 - 1998.01		4450.83D
2.0 i	RFX (XU10J2C)	2.0	1993.03 - 1998.01 1993.03 - 1998.01	Automatikgetriebe Schaltgetriebe	3136.82D50 3136.88D50
2.0 i 16V	RFT (XU10J4/Z), RFV (XU10J4R), RFY (XU10J4/Z)	2.0	1995.06 - 1998.01 1993.03 - 1998.01		4450.83D 4450.89D
2.0 Turbo	RGX (XU10J2TE)	2.0	1995.06 - 1998.01		3136.82D50
2.1 Turbo D 12V	P8C (XUD11BTE)	2.1	1995.06 - 1998.01 1995.06 - 1998.01	Organisationsnr. →O 7189 Organisationsnr. O 7190→	4447.80D 4447.85D
XANTIA (X2)					
1.8 i	LFX (XU7JB)	1.8	1998.01 - 2003.04		3136.82D50
1.8 i 16V	LFY (XU7JP4)	1.8	1998.01 - 2003.04		4450.83D
1.9 SD	DHW (XUD9SD)	1.9	1998.01 - 2003.04		4450.83D
1.9 Turbo D	D8B (XUD9TF), DHX (XUD9TF/BTF), DHY (XUD9TE/Y)	1.9	1998.01 - 2003.04		4450.83D
2.0 HDI 109	RHZ (DW10ATED)	2.0	1999.02 - 2003.04		4446.83D
2.0 HDI 90	RHY (DW10TD)	2.0	1999.03 - 2003.04		4446.83D
2.0 i	RFX (XU10J2C)	2.0	1998.01 - 2003.04 1998.01 - 2003.04		3136.82D50 3136.88D50
2.0 i 16V	RFV (XU10J4R)	2.0	1998.01 - 2003.04		4450.83D
2.0 Turbo	RGX (XU10J2TE)	2.0	1998.01 - 2003.04		3136.82D50
2.1 Turbo D 12V	P8C (XUD11BTE)	2.1	1998.01 - 1999.02		4447.85D
XM (Y3)					
2.0		2.0	1989.05 - 1994.04 1989.05 - 1994.04		3136.82D50 3136.88D50
2.0 i	RDZ (XU10MZ), RFZ (XU10J2), XU102C	2.0	1989.05 - 1994.06 1989.05 - 1994.06		3136.82D50 3136.88D50
2.0 i Turbo	RGY (XU10J2TE/Z)	2.0	1992.09 - 1994.06 1992.09 - 1994.06		3136.82D50 3136.88D50
2.0 Turbo	RGY (XU10J2TE/Z)	2.0	1992.09 - 1994.04 1992.09 - 1994.04		3136.82D50 3136.88D50
2.1 D 12V	P9A (XUD11A)	2.1	1989.05 - 1994.06	Organisationsnr. O 5167→	4447.85D
2.1 TD 12V	P8A (XUD11ATE), P8C (XUD11BTE), PHZ (XUD11ATE), PJZ (XUD11ATE)	2.1	1989.05 - 1994.06 1989.05 - 1994.06	Automatikgetriebe Schaltgetriebe	4447.80D 4447.85D
XM (Y4)					
2.0 i 16V	RFV (XU10J4R)	2.0	1994.05 - 2000.10		4450.83D

Thermostate
Thermostats
Thermostats



CITROËN

	Motor Engine Moteur	Ltr. Ltr. Ltr.	Jahr Year Année	Einschränkung Restriction* Restriction*	Thermostat Thermostat Thermostat
2.0 Turbo	RGX (XU10J2TE), RGY (XU10J2TE/Z)	2.0	1994.05 - 2000.10		3136.82D50
2.1 TD 12V	P8A (XUD11ATE), P8C (XUD11BTE), PHZ (XUD11ATE), PJZ (XUD11ATE)	2.1	1994.05 - 2000.10 1994.05 - 2000.10	Automatikgetriebe Schaltgetriebe	4447.80D 4447.85D
2.0 i 16V	RFV (XU10J4R)	2.0	1994.05 - 2000.10		4450.83D
2.0 Turbo	RGX (XU10J2TE), RGY (XU10J2TE/Z)	2.0	1994.05 - 2000.10		3136.82D50
2.1 D12	P9A (XUD11A)	2.1	1994.07 - 1996.06		4447.85D
2.1 TD 12V	P8A (XUD11ATE), P8C (XUD11BTE), PHZ (XUD11ATE), PJZ (XUD11ATE)	2.1	1994.05 - 2000.10 1994.05 - 2000.10	Automatikgetriebe Schaltgetriebe	4447.80D 4447.85D
XSARA					
1.4 i	KFW (TU3JP), KFX (TU3JP)	1.4	1997.04 - 2005.08 1997.04 - 2005.08	Organisationsnr. →O 08210 Organisationsnr. O 08211→	3136.88D50 410184.89D ▲
1.5 D	VJZ (TUD5)	1.5	1997.04 - 2000.09		4821.89D
1.6 16V	NFU (TU5JP4)	1.6	2000.09 - 2005.08		3463.89D
1.6 i	NFZ (TU5JP)	1.6	1997.04 - 2000.09 1997.04 - 2000.09	Organisationsnr. O 08210→ Organisationsnr. O 08211→	3136.88D50 410184.89D ▲
1.8 D	161A (XUD7), A9A (XUD7)	1.8	1997.04 - 2000.09		4446.83D
1.8 i	LFX (XU7JB), LFZ (XU7JP)	1.8	1997.04 - 2000.09		3136.82D50
1.8 i 16V	LFY (XU7JP4)	1.8	1997.04 - 2000.09		4450.83D
1.8 TD		1.8	1997.10 - 2000.09		4446.83D
1.9 D	DHV (XUD9BSD), DJY (XUD9A), WJY (DW8B), WJZ (DW8)	1.9	1997.04 - 2005.08		4446.83D
1.9 SD	DHV (XUD9BSD)	1.9	1998.01 - 2000.09		4446.83D
1.9 TD	DHY (XUD9TE/Y)	1.9	1997.04 - 2000.09		4450.83D
2.0 16V	RFN (EW10J4), RFS (XU10J4RS), RFV (XU10J4R)	2.0	2000.09 - 2005.08 1997.04 - 2000.09		3483.89D 4450.83D
2.0 HDi 109	RHZ (DW10ATED)	2.0	2001.05 - 2005.08		4446.83D
2.0 HDi 90	RHY (DW10TD)	2.0	1999.02 - 2005.08		4446.83D
2.0 i 16V	RFS (XU10J4RS)	2.0	1998.02 - 2005.03		4450.83D
XSARA PICASSO (N68)					
1.6	NFV (TU5JP), NFZ (TU5JP)	1.6	1999.12 -		3463.89D
1.6 16V	NFU (TU5JP4)	1.6	2005.09 - 2005.09 -	Organisationsnr. →1088678 Organisationsnr. 1088778→	3463.89D 410705.89D ▲
1.8 16V	6FZ (EW7J4), LFY (XU7JP4)	1.8	2000.02 -		3483.89D
1.8 SX		1.8	2000.06 - 2005.08		3483.89D
2.0 16V	RFN (EW10J4)	2.0	2003.01 -		3483.89D
2.0 HDi	RHY (DW10TD)	2.0	1999.12 -		4446.83D
ZX (N2)					
1.1	H1A, H1B, HDZ (TU1M)	1.1	1991.03 - 1997.06		3136.88D50
1.4	KDZ (TU3M/Z)	1.4	1991.03 - 1997.06		3136.88D50
1.4 i	KDX (TU3M/Z), KDY (TU3M), KDZ (TU3M/Z), KFX (TU3JP)	1.4	1991.03 - 1997.10		3136.88D50
1.6 i	BDY (XU5M), BFZ (XU5JP)	1.6	1991.03 - 1997.06 1991.03 - 1997.10		3136.82D50 3136.88D50
1.8 D	161A (XUD7)	1.8	1993.06 - 1997.10		4446.83D
1.8 i	LFZ (XU7JP)	1.8	1992.07 - 1997.10 1992.07 - 1997.10		3136.82D50 3136.88D50
1.8 i 16V	LFY (XU7JP4)	1.8	1996.01 - 1998.02		4450.83D

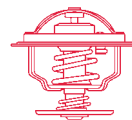


Thermostate
Thermostats
Thermostats

CITROËN

	Motor Engine Moteur	Ltr. Ltr. Ltr.	Jahr Year Année	Einschränkung Restriction* Restriction*	Thermostat Thermostat Thermostat
1.9 D	D9B (XUD9A/U), DJY (XUD9A), DJZ (XUD9Y)	1.9	1991.03 - 1997.10		4446.83D
1.9 i	DKZ (XU9JA)	1.9	1991.03 - 1997.06	Automatikgetriebe	3136.82D50
			1991.03 - 1997.06	Schaltgetriebe	3136.88D50
1.9 TD	DHY (XUD9TE/Y)	1.9	1992.07 - 1997.10		4446.83D
2.0		2.0	1994.07 - 1997.10	Automatikgetriebe	3136.82D50
			1994.07 - 1997.10	Schaltgetriebe	3136.88D50
2.0 i	RFX (XU10J2C)	2.0	1992.07 - 1997.06		3136.82D50
			1992.07 - 1997.06		3136.88D50
2.0 i 16V	RFS (XU10J4RS), RFT (XU10J4/Z), RFY (XU10J4/Z)	2.0	1996.05 - 1997.06		4450.83D
			1992.07 - 1997.06		4450.89D

Thermostate
Thermostats
Thermostats



DACIA

	Motor Engine Moteur	Ltr. Ltr. Ltr.	Jahr Year Année	Einschränkung Restriction* Restriction*	Thermostat Thermostat Thermostat
1300					
1.3	810-02/-99	1.3	1972.12 - 1983.05		3029.89
1310					
1.3	810-02/-99	1.3	1983.05 -		3029.89
LOGAN (LS_)					
1.4	K7J 710	1.4	2004.09 -		3466.89D
1.5 dCi	K9K 790, K9K 792, K9K 796	1.5	2006.01 - 2005.09 -	K9K 792, K9K 796 K9K 790	411039.83D ▲ 411043.89D ▲
1.6	K7M 710	1.6	2004.09 -		3466.89D
1.6 16V	K4M 690, K4M 696	1.6	2006.02 -		3466.89D
LOGAN MCV (KS_)					
1.4	K7J 710	1.4	2007.02 -		3466.89D
1.5 dCi	K9K 792, K9K 796	1.5	2007.02 -		411039.83D ▲
1.6	K7M 710	1.6	2007.02 -		3466.89D
1.6 16V	K4M 690, K4M 696	1.6	2007.02 -		3466.89D
LOGAN EXPRESS (FS_)					
1.4	K7J 710	1.4	2009.03 -		3466.89D
1.5 dCi	K9K 792	1.5	2009.03 -		411039.83D ▲
1.6	K7M 710	1.6	2009.03 -		3466.89D
LOGAN Pick-up (US_)					
1.5 dCi	K9K 796	1.5	2008.03 -		411039.83D ▲
1.6	K7M 710	1.6	2008.03 -		3466.89D
SANDERO					
1.4	K7J 710	1.4	2008.06 -		3466.89D
1.5 dCi	K9K 792	1.5	2008.11 -		411039.83D ▲
1.6	K7M 710	1.6	2008.06 -		3466.89D



Thermostate
Thermostats
Thermostats

DAEWOO

Motor
Engine
Moteur

Ltr.
Ltr.
Ltr.

Jahr
Year
Année

Einschränkung
Restriction*
Restriction*

Thermostat
Thermostat
Thermostat

ESPERO (KLEJ)

1.5 16V	A15MF	1.5	1993.10 - 1999.06		3017.92D2
1.8	C18LE	1.8	1995.02 - 1999.09		4180.82D
2.0	C20LE, C20LZ	2.0	1991.10 - 1999.06		4180.82D

EVANDA (KLAL)

2.0	L88, X 20 SED	2.0	2002.08 -		4177.92D
-----	---------------	-----	-----------	--	----------

KALOS (KLAS)

1.2	B12S1	1.2	2003.04 -		410183.88D ▲
1.4	F14S3	1.4	2002.09 -		3017.87D2

KORANDO (KJ)

2.9 D	MB-OM 662	2.9	1999.01 -		4176.85D
2.9 TD	MB-OM 601 29TD	2.9	1999.01 -		4176.85D
3.2	M 104.995	3.2	1999.01 -		4078.87D

LACETTI (KLAN)

1.4	F14D3	1.4	2004.02 -		3017.87D2
1.8	T18SED	1.8	2004.02 -		4189.87D

LANOS (KLAT)

1.4	A14SMS	1.4	1997.05 -		3017.87D2
1.5	A15SMS, Y15L	1.5	1997.05 -		3017.87D2
1.6 16V	A16DMS	1.6	1997.05 -		3017.87D2

LEGANZA (KLAJ)

2.0 16V	X 20 SED	2.0	1997.06 - 2002.12		4189.87D
2.2 16V	T22SED	2.2	1999.04 - 2002.12		4189.87D

MATIZ (KLYA)

0.8	F8CV	0.8	1998.09 -		410183.88D ▲
1.0		1.0	2003.01 -		410183.88D ▲

MUSSO (FJ)

2.2 TD	MB OM 601	2.2	1999.09 -		4176.85D
2.3	M 111.970	2.3	1999.01 -		4276.87D
2.9 D	MB-OM 662	2.9	1999.01 - 1999.09		4176.85D
2.9 TD	MB-OM 601 29TD	2.9	1999.01 -		4176.85D
3.2	M 104.992	3.2	1999.01 -		4078.87D

NEXIA (KLETN)

1.5	G15MF	1.5	1995.02 - 1997.08		3017.87D2
1.5 16V	A15MF	1.5	1995.02 - 1997.08		3017.92D2

NUBIRA (KLAJ)

1.6 16V	A16DMS	1.6	1997.05 -		3017.87D2
2.0 16V	X 20 SED, Z20L	2.0	1997.05 -		4189.87D

NUBIRA (KLAN)

1.8	T18SED	1.8	2003.07 -		4189.87D
-----	--------	-----	-----------	--	----------

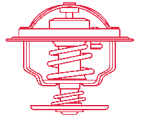
REXTON

2.9 TD		2.9	2002.04 -		4176.85D
--------	--	-----	-----------	--	----------

REZZO (KLAU)

1.6	A16DMS	1.6	2000.09 -		3017.87D2
1.8	A18DMS	1.8	2000.09 -		3017.87D2

Thermostate
Thermostats
Thermostats



DAEWOO

	Motor Engine Moteur	Ltr. Ltr. Ltr.	Jahr Year Année	Einschränkung Restriction* Restriction*	Thermostat Thermostat Thermostat
2.0	X 20 SED	2.0	2000.09 -		4189.87D
TICO (KLY3)					
0.8	F8C, F8CV	0.8	1995.02 - 2000.12		410183.88D ▲

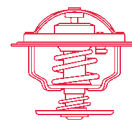


Thermostate
Thermostats
Thermostats

DAF

	Motor Engine Moteur	Ltr. Ltr. Ltr.	Jahr Year Année	Einschränkung Restriction* Restriction*	Thermostat Thermostat Thermostat
55					
1.1	DBB 110E	1.1	1967.10 - 1972.09		3029.83
1.1 MARATHON	110F	1.1	1971.12 - 1972.09		3029.83
66					
1.1	110E	1.1	1972.10 - 1975.08		3029.83
1.1 MARATHON	110G	1.1	1972.10 - 1975.08		3029.83
1.1 SL	110G	1.1	1972.10 - 1975.08		3029.83
1300 MARATHON	B13, 0S	1.3	1973.09 - 1975.08		3029.83

Thermostate
Thermostats
Thermostats



DAIHATSU

	Motor Engine Moteur	Ltr. Ltr. Ltr.	Jahr Year Année	Einschränkung Restriction* Restriction*	Thermostat Thermostat Thermostat
APPLAUSE I (A101, A111)					
1.6 16V	HD, HD-E	1.6	1989.06 - 1997.07		410182.84D ▲
APPLAUSE II					
1.6 16V	HD-E	1.6	1997.07 - 2000.05		410182.84D ▲
CHARADE II (G11, G30)					
1.0 D	CL 10	1.0	1983.10 - 1987.03		4126.88
1.0 TD	CL 60	1.0	1985.02 - 1987.03		4126.88
CHARADE III (G100, G101, G102)					
1.0 TD	CL, CL 61	1.0	1987.03 - 1992.12		4126.88
1.3	HC-C, HCE	1.3	1988.09 - 1993.02		410182.84D ▲
1.3 i	HCE	1.3	1988.06 - 1993.01		410182.84D ▲
CHARADE IV (G200, G202, G203)					
1.3	HC	1.3	1996.09 - 1999.11		410182.84D ▲
1.3 16V		1.3	1996.05 - 1999.11		410182.84D ▲
1.3 i 16V	HC	1.3	1993.01 - 1999.11		410182.84D ▲
1.5	HE	1.5	1994.10 -		410182.84D ▲
1.5 i 16V	HEE, HEEG	1.5	1994.08 - 1999.11		410182.84D ▲
1.6 GTi	HD-E	1.6	1993.03 - 1999.11		410182.84D ▲
CHARMANT (A)					
1.3 (A35)	4K	1.3	1981.11 - 1987.07		4103.82D ▲
1.6 (A45)	2T	1.6	1981.12 - 1984.09		3119.82
1.6 (A60)	4A	1.6	1983.08 - 1987.07		3119.82
COPEN					
0.7	JB	0.7	2003.09 -		3478.82D
1.3	K3-VE	1.3	2006.03 -		410201.80D ▲
CUORE I (L55, L60)					
0.5	AB 30	0.5	1980.10 - 1985.09		3119.88
0.6	AD 10	0.6	1982.08 - 1985.09		3119.88
CUORE II (L80, L81)					
0.8	ED 10	0.8	1985.09 - 1990.12		3119.88
CUORE IV (L501)					
0.8	ED 20	0.8	1995.01 - 1996.11		3119.88
CUORE V (L5)					
0.8	EF-EL	0.8	1996.11 - 1998.10		3119.82D5
CUORE VI (L7_)					
1.0 i (L701)	EJDE	1.0	1998.10 - 2003.05		410179.84D ▲
CUORE VII (L251)					
1.0	EJ-VE	1.0	2003.05 -		410179.84D ▲
CUORE VIII					
1.0	1KR-FE	1.0	2007.04 -		410201.80D ▲
EXTOL Bus (S22_, S23_)					
1.3	K3-VE	1.3	2000.07 - 2003.09		410201.80D ▲

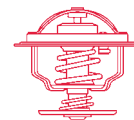


Thermostate
Thermostats
Thermostats

DAIHATSU

	Motor Engine Moteur	Ltr. Ltr. Ltr.	Jahr Year Année	Einschränkung Restriction* Restriction*	Thermostat Thermostat Thermostat
FEROZA (F300)					
1.6 16V	HDC	1.6	1988.10 -		4103.82D ▲
1.6 i 16V	HD-E	1.6	1988.10 -		4103.82D ▲
GRAN MOVE (G3)					
1.5 16V (G303)	HEEG	1.5	1996.10 - 1998.07		410182.84D ▲
1.5 GLX	HEEG	1.5	1996.10 - 1998.08		410182.84D ▲
1.5 GX	HEE, HEEG	1.5	1996.10 - 1998.08		410182.84D ▲
1.6	HDEP	1.6	1998.07 - 2002.07		410182.84D ▲
1.6 16V (G301)	HDEP	1.6	1998.05 -		410182.84D ▲
1.6 GLX	HDEP	1.6	1998.06 - 2002.07		410182.84D ▲
1.6 GX	HDEP	1.6	1998.06 - 2002.07		410182.84D ▲
HIJET II (S85)					
1.2 D	LDW12	1.2	1995.05 - 1998.03		4007.80D
1.4 D	LDW14	1.4	1998.03 -		4007.80D
HIJET Pick-up					
1.2 D		1.2	1996.01 - 1998.03		4007.80D
1.4 D	LDW14	1.4	1998.04 - 1999.12		4007.80D
MATERIA (M4_)					
1.3	K3-VE	1.3	2006.10 -		410201.80D ▲
1.5	3SZ-VE	1.5	2006.10 -		410201.80D ▲
1.5 ECO	3SZ-VE	1.5	2006.10 -		410201.80D ▲
MOVE (L6, L9)					
1.0 i	EJDE	1.0	1998.10 -		410179.84D ▲
ROCKY (F7, F8)					
2.0	3Y	2.0	1985.02 - 1993.04		4103.82D ▲
SIRION					
1.0	1KR-FE, EJDE	1.0	1998.04 - 2000.10		410179.84D ▲
1.0 i	EJ-VE, EJDE	1.0	1998.04 - 2005.01		410179.84D ▲
1.3	K3-VE	1.3	2005.01 -		410201.80D ▲
1.3 DVVT CX 16V	K3-VE	1.3	2001.02 - 2002.10		410201.80D ▲
1.3 GTV-i (M101)	K3-VE	1.3	2001.02 - 2005.04		410201.80D ▲
1.3 Sport	K3-VE2	1.3	2000.08 - 2005.01		410201.80D ▲
TERIOS (J1)					
1.3	HE-EJ, K3-VE	1.3	1997.10 - 2000.10 2000.10 - 2005.10		410182.84D ▲ 410201.80D ▲
1.3 DVVT	K3-VE	1.3	2005.11 -		410201.80D ▲
1.5	3SZ-VE	1.5	2006.05 -		410201.80D ▲
TREVIS					
1.0	EJ-VE	1.0	2006.06 -		410179.84D ▲
YRV (M2)					
1.0	EJ-VE	1.0	2001.02 -		410179.84D ▲
1.3	K3-VE	1.3	2001.02 -		410201.80D ▲
1.3 GTti	K3-VET	1.3	2002.07 -		410201.80D ▲

Thermostate
Thermostats
Thermostats



DODGE

	Motor Engine Moteur	Ltr. Ltr. Ltr.	Jahr Year Année	Einschränkung Restriction* Restriction*	Thermostat Thermostat Thermostat
CARAVAN II					
2.5 TD	ENC	2.5	1995.01 - 2001.03		4158.80D
NEON					
2.0 16V	ECB, ECC, ECH	2.0	1994.05 - 1999.08		410262.91D ▲
STRATUS					
2.0 16V	ECB	2.0	1995.12 -		410262.91D ▲
2.4 16 V	EDZ	2.4	1995.12 - 2001.04		410262.91D ▲
2.5 V6	EEB	2.5	1995.12 -		410180.82D ▲



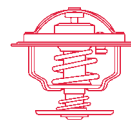
Thermostate
Thermostats
Thermostats

FIAT

	Motor Engine Moteur	Ltr. Ltr. Ltr.	Jahr Year Année	Einschränkung Restriction* Restriction*	Thermostat Thermostat Thermostat
124 Spider					
1500 Sport (BS)	124 AC.000	1.4	1966.01 - 1972.12		3023.87D
126					
700	126 A2.000, 126 A2.048	0.7	1987.09 - 1996.06		3383.87
127					
0.9	100 GL.000, 100 GL.048	0.9	1972.10 - 1983.05		3022.87D
1.0	127 A.000, 127 A1.000	1.0	1977.01 - 1986.12		4091.82D ▲
130					
3.2 (B)	130 B.000	3.2	1971.12 - 1978.03		4033.82D
3.2 (BC)	130 B.000	3.2	1971.10 - 1978.03		4033.82D
131					
2.0 D	8144.65	2.0	1978.07 - 1984.08		4008.79D
2.5 Diesel	8144.61	2.5	1978.06 - 1984.02		4008.79D
2.5 Super Diesel (AF)	8144.61	2.5	1979.03 - 1984.12		4008.79D
132					
2.0 D	8144.65	2.0	1978.07 - 1982.07		4008.79D
2.5 D	8144.61	2.5	1978.07 - 1982.07		4008.79D
ARGENTA (132A)					
2500 Diesel	8144.61	2.5	1981.06 - 1985.11		4008.79D
2500 Turbodiesel	8144.61.500.81	2.4	1983.07 - 1985.08		4008.79D
BARCETTA (183)					
1.8 16V	183 A1.000, 188 A6.000	1.8	1995.04 -	Chassis No 20000→	410514.88D ▲
BRAVA, BRAVO (182)					
1.2 16V 80	182 B2.000, 188 A5.000	1.2	1998.12 - 2001.10		3151.87D
1.4 (182.AA)	182 A3.000	1.4	1995.10 - 2001.10	ohne Klimaanlage	410515.88D ▲
			1995.10 - 2001.10	mit Klimaanlage	410516.88D ▲
1.4 (182.AG)	182 A5.000	1.4	1995.10 - 2001.10	ohne Klimaanlage	410515.88D ▲
			1995.10 - 2001.10	mit Klimaanlage	410516.88D ▲
1.4 (182.BG)	182 A5.000	1.4	1995.10 - 2001.10	ohne Klimaanlage	410515.88D ▲
			1995.10 - 2001.10	mit Klimaanlage	410516.88D ▲
1.4 12 V	182 A3.000	1.4	1995.10 - 1998.08	ohne Klimaanlage	410515.88D ▲
			1995.10 - 1998.08	mit Klimaanlage	410516.88D ▲
1.6 16V	182 A4.000, 182 A6.000	1.6	1998.04 - 2001.10		3163.88D
			1995.10 - 1998.04	Motornummer 9762821→	3481.88D
1.9 D	160 A7.000	1.9	1995.10 - 2001.10	ohne Klimaanlage	3431.80D
1.9 JTD 105	182 B4.000	1.9	1998.12 - 2001.10		410512.88D ▲
2.0 HGT 20V	182 A1.000, 182 B7.000	2.0	1995.10 - 2001.10		410513.88D ▲
BRAVO (198)					
1.4	192 B2.000	1.4	2007.04 -		3151.87D
1.9 D Multijet	192 A8.000	1.9	2007.04 -		410511.88D ▲
CINQUECENTO (170)					
0.7 (170AA)	170 A.000	0.7	1991.12 - 1996.01		3485.87D
0.7 i (170AD)	170 A.046	0.7	1994.07 - 1998.01		3484.87D
0.9 i.e. (170AC)	170 A1.046	0.9	1991.07 - 1993.12		410007.87D
0.9 i.e. S (170AF, 170CF)	1170 A1.000, 1170 A1.046	0.9	1991.07 - 1999.07		410007.87D
1.1 Sporting (170AH)	176 B2.000	1.1	1994.10 - 1998.01		3105.87D

* see last page / voir dernière page

Thermostate
Thermostats
Thermostats



FIAT

	Motor Engine Moteur	Ltr. Ltr. Ltr.	Jahr Year Année	Einschränkung Restriction* Restriction*	Thermostat Thermostat Thermostat
COUPE					
2.0 20V	182 A1.000, 182 B3.000	2.0	1996.08 - 2000.08		410513.88D ▲
CROMA (154)					
2000 CHT		2.0	1991.01 - 1992.09	154 A1.000	4022.82D1
2000 CHT (154.AC)	154 A1.000	2.0	1985.12 - 1989.02		4022.82D1
2000 i.e.	154 C3.000, 154 C3.046, 834 B.000, 834 B.048, 834 B.146	2.0	1986.03 - 1996.08		4022.82D1
2000 i.e. Turbo	154 A2.000, 154 C4.046, 834 C.146	2.0	1985.12 - 1996.08		4022.82D1
2500 D	8144.67	2.5	1985.12 - 1989.12		4151.79D
2500 TD (154.AE)	8144.91.2000	2.4	1988.11 - 1989.08 1985.12 - 1988.10		3103.79 4008.79D
2500 TD (154.LL, 154.PL)	8144.97, 8144.97 Y, 8144.97.2400	2.5	1989.05 - 1996.08		3116.82D
2500 TDE	8144.97 S	2.5	1991.12 - 1996.08		3116.82D
CROMA (194)					
1.8 16V	939 A4.000	1.8	2005.12 -		4431.105D ▲
1.9 D Multijet	939 A1.000, 939 A2.000	1.9	2005.06 -		410049.88D ▲
DOBLÒ (119)					
1.2	223 A5.000	1.2	2001.03 -		3105.87D
1.3 D Multijet	223 A9.000	1.3	2005.10 -		410048.88D ▲
1.4	350 A1.000	1.4	2005.10 -		410090.88D ▲
1.6 16V	182 B6.000	1.6	2001.10 -		3163.88D
1.6 Natural Power	182 B6.000	1.6	2002.09 -		3163.88D
1.9 D Multijet	186 A9.000	1.9	2005.10 -		410589.88D ▲
1.9 JTD	223 A7.000, 223 B1.000	1.9	2003.07 -		410589.88D ▲
DOBLÒ (223)					
1.2	223 A5.000	1.2	2001.03 -		3105.87D
1.4	350 A1.000	1.4	2005.10 -		410090.88D ▲
1.6 16V	182 B6.000	1.6	2001.10 -		3163.88D
1.6 Natural Power	182 B6.000	1.6	2002.09 -		3163.88D
1.9 JTD	182 B9.000, 223 A7.000, 223 B1.000	1.9	2001.10 -		410589.88D ▲
DUCATO (230)					
1.9 D	D9B, D9B (XUD9A), DHX, DJY	1.9	1998.04 - 2002.04		4446.83D
1.9 TD	DHX, DHX (XUD9TF/L)	1.9	1998.04 - 2002.04		4450.83D
2.0	RFW	2.0	1994.03 - 2002.04		3136.82D50
2.0 JTD	RHV (DW10)	2.0	2001.10 - 2002.04		4446.83D
2.0 Panorama/Combinato	RFW	2.0	1994.03 - 2002.04		3136.82D50
2.5 D	8140.67	2.5	1994.03 - 2002.04		4174.82D
2.5 D Combinato	8140.67	2.5	1994.08 - 2002.04		4174.82D
2.5 TD	8140.47	2.5	1994.06 - 1998.08		4174.82D
2.5 TDI	8140.47, 8140.47R	2.5	1994.03 - 2002.04		4174.82D
2.8 D	8140.63	2.8	1998.02 - 2002.04		4174.82D
2.8 iDTD	8140.43	2.8	1998.05 - 2001.09 1998.05 - 2001.09		4174.79D 4174.82D
2.8 JTD	8140.43S	2.8	2000.11 - 2002.04		4174.82D
2.8 TD	8140.63	2.8	1998.05 - 2001.11		4174.82D
2.8 TDI	8140.43	2.8	1999.07 - 2002.04 1997.10 - 2002.04		4174.79D 4174.82D
DUCATO (244)					
2.0	RFL	2.0	2002.04 -		3136.82D50
2.0 Bipower	RFL	2.0	2002.11 -		3136.82D50
2.0 JTD	RHV (DW10)	2.0	2002.04 -		4446.83D

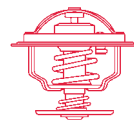


Thermostate
Thermostats
Thermostats

FIAT

	Motor Engine Moteur	Ltr. Ltr. Ltr.	Jahr Year Année	Einschränkung Restriction* Restriction*	Thermostat Thermostat Thermostat
2.3 JTD	F1AE0481C	2.3	2002.04 -		3171.82D ▲
2.8 JTD	8140.43, 8140.43S	2.8	2002.04 - 2006.07		4174.82D
2.8 JTD Power	8140.43N	2.8	2004.05 -		4174.82D
2.8 TD	8140.43	2.8	2003.11 - 2006.07		4174.82D
DUCATO (250)					
100 Multijet 2,2 D	4HV	2.2	2006.07 -		3497.88D
120 Multijet 2,3 D	F1AE0481D	2.3	2006.07 -		410069.82D ▲
130 Multijet 2,3 D	F1AE0481N, F1AE3481D	2.3	2007.01 -		410069.82D ▲
DUCATO (280)					
1.8	169 B	1.8	1982.01 - 1988.12		3061.82
1.9 D	149 B1.000	1.9	1987.02 - 1990.08		3431.80D
1.9 TD	280 A1.000	1.9	1989.03 - 1990.08		3431.80D
2.0	170 B, 170 D, XN 1T	2.0	1982.01 - 1990.08		3061.82
2.4 D	8144.61	2.4	1986.06 - 1990.08		4008.79D
2.4 TD	8144.21, 8144.21.220	2.4	1986.01 - 1990.08		4174.82D
2.5 D	8144.67, CRD93L (U25-661)	2.5	1982.01 - 1990.08		4174.82D
DUCATO (290)					
1.9 D	149 B1.000	1.9	1990.07 - 1994.03		3431.80D
1.9 TD	280 A1.000	1.9	1989.03 - 1994.03		3431.80D
2.0	170 D	2.0	1990.06 - 1994.05		3061.82
2.5 D	8144.67	2.5	1990.06 - 1994.05		4174.82D
2.5 TD	8140.27	2.5	1990.06 - 1994.05		4174.82D
DUNA (146 B)					
60 1.1	146 A6.000	1.1	1987.01 - 1991.12		4091.82D ▲
70 1.3	146 A5.000	1.3	1987.01 - 1991.12		4091.82D ▲
DS 1.7	149 B3.000	1.7	1987.01 - 1991.12		3431.80D
ELBA					
1.3		1.3	1986.04 - 1993.12		4091.82D ▲
1.5		1.5	1992.01 - 1996.12		4091.82D ▲
1.7 D	146 B2.000	1.7	1989.04 - 1996.12		3431.80D
FIORINO (127)					
900	100 GL.000	0.9	1977.10 - 1984.12		3022.87D
1050	127 A.000	1.0	1980.01 - 1987.12		4091.82D ▲
FIORINO (146 Uno)					
60 1.1	146 A9.000	1.1	1988.05 - 1993.12		4091.82D ▲
60 1.7 D	146 B2.000, 149 B3.000	1.7	1988.05 - 2000.05		3431.80D
65 1.7 TD	146 D7.000	1.7	1997.01 - 2001.05 1997.01 - 2001.05	mit Klimaanlage ohne Klimaanlage	4246.80D 4247.80D
70 1.3	146 A5.000	1.3	1988.01 - 1994.12		4091.82D ▲
FIORINO (147)					
1.0	127 A.000, 156 A.000	1.0	1980.01 - 1988.04		4091.82D ▲
1.1	146 A9.000	1.1	1986.11 - 1988.12		4091.82D ▲
1.3	146 A5.000	1.3	1987.12 - 1993.08		4091.82D ▲
1.3 D	127 A5.000	1.3	1982.03 - 1988.12		3355.80D
1.7 D	149 B2.000, 149 B3.000	1.7	1987.12 - 1990.12		3431.80D
FIORINO (146 Uno)					
1.7 TD	146 D7.000	1.7	1997.01 - 2001.05 1997.01 - 2001.05	mit Klimaanlage ohne Klimaanlage	4246.80D 4247.80D

Thermostate
Thermostats
Thermostats



FIAT

FIORINO

	Motor Engine Moteur	Ltr. Ltr. Ltr.	Jahr Year Année	Einschränkung Restriction* Restriction*	Thermostat Thermostat Thermostat
1.3 D Multijet	199 A2.000, 199 A9.000	1.3	2008.02 -		410048.88D ▲
1.4	KFT, KFV	1.4	2008.02 -		3463.89D

IDEA

1.2 16V	188 A5.000	1.2	2004.01 -		3151.87D
1.3 D Multijet	199 A3.000	1.3	2005.10 -		410048.88D ▲
1.4	350 A1.000	1.4	2005.10 -		410090.88D ▲
1.4 16V	843 A1.000	1.4	2004.01 -		3151.87D

LINEA

1.3 D Multijet	199 A3.000	1.3	2007.06 -		410048.88D ▲
1.4	350 A1.000	1.4	2007.06 -		410090.88D ▲

MAREA (185)

1.2 16V	182 B2.000	1.2	1998.10 -		3151.87D
1.4 80 12V	182 A3.000	1.4	1996.09 - 1996.09 -	ohne Klimaanlage mit Klimaanlage	410515.88D ▲ 410516.88D ▲
1.6 100 16V	182 A4.000	1.6	1998.04 - 1996.09 - 1998.04	Motornummer 9762821→	3163.88D 3481.88D
1.6 100 16V Bipower	185 A3.000, 186 A4.000	1.6	1999.04 -		3481.88D
1.9 JTD 105	182 B4.000	1.9	1999.04 - 2001.01		410512.88D ▲
2.0 150 20V	182 A1.000, 185 A8.000	2.0	1996.09 - 1999.04		410513.88D ▲
2.0 155 20V	182 B7.000	2.0	1999.04 - 2001.01		410513.88D ▲

MULTIPLA (186)

1.6 100 16V (186AXA1A)	182 A4.000	1.6	1999.04 -		3163.88D
1.6 16V Bipower (186AMB1A)	186 A4.000	1.6	1999.04 -		3163.88D
1.6 16V Bipower (186AXC1A)	182 B6.000	1.6	2001.10 -		3163.88D
1.6 16V Blupower (186AMA1A)	186 A3.000	1.6	1999.04 -		3163.88D
1.9 JTD 105 (186AXB1A)	182 B4.000	1.9	1999.04 -		410512.88D ▲

PALIO

1.2	176 A8.000, 178 B5.000, 178 E2.000	1.2	1998.06 -		3105.87D
1.2 (178DX.G1A)	178 B5.000	1.2	1996.04 - 2001.02		3105.87D
1.2 (178DYA1A)	188 A4.000	1.2	2001.02 -		3105.87D
1.4	834 A1.000	1.4	2003.06 -		410090.88D ▲
1.6 16V	178 B3.000	1.6	1996.04 - 1996.04 -	Motornummer →60933 Motornummer 60933→	3481.88D 3163.88D
1.6 16V (178DX.D1A)	178 B3.000	1.6	1996.04 - 2001.02 1996.04 - 2001.02	Motornummer →60933 Motornummer 60933→	3481.88D 3163.88D
1.6 16V (178DYC1A06)	182 B6.000	1.6	2001.02 -	Motornummer 60933→	3163.88D
1.7 TD (178DX.H1A)	176 A3.000	1.7	1996.04 - 2001.03 1996.04 - 2001.03	ohne Klimaanlage mit Klimaanlage	4434.80D 4436.80D

PANDA

750	141 B.000, 156 A4.000, 156 A4.048	0.8	1986.01 - 1997.12 1986.01 - 1995.01	156 A4.000, 156 A4.048 141 B.000	3105.87D 3361.87D
800		0.8	1981.02 - 1985.12		3022.87D

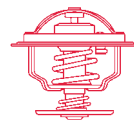


Thermostate
Thermostats
Thermostats

FIAT

	Motor Engine Moteur	Ltr. Ltr. Ltr.	Jahr Year Année	Einschränkung Restriction* Restriction*	Thermostat Thermostat Thermostat
900	100 GL3.000, 1170 A1.046, 146 A.000	0.9	1980.10 - 1996.12		3361.87D
950	A 112 B1.054	0.9	1982.09 - 1986.12		3022.87D
1000	141 C2.000, 156 A2.100, 156 A2.246, 156 A3.000, 156 A3.100	1.0	1985.01 - 1994.12		3105.87D
1000 i.e	156 A2.246	1.0	1992.08 - 2004.02		3105.87D
1000 i.e.	141 C2.000, 156 A2.246	1.0	1987.10 - 1998.08		3105.87D
1100	156 C.046, 176 B2.000, 187 A1.000	1.1	1991.05 - 2004.07		3105.87D
1300 D	156 A5.000	1.3	1986.04 - 1992.12		3373.80D
PANDA (169)					
1.1	187 A1.000	1.1	2003.09 -		3105.87D
1.2	188 A4.000	1.2	2003.09 -		3105.87D
1.4	169 A3.000	1.4	2006.10 -		410090.88D ▲
PUNTO (176)					
1.1	176 B2.000	1.1	1996.04 - 2000.02		3105.87D
1.7 D	176 B3.000	1.7	1994.04 - 2000.02		3300.80D
1.7 TD	176 A3.000, 176 A5.000	1.7	1994.01 - 2000.02 1994.01 - 1999.09 1994.01 - 2000.02	mit Klimaanlage mit Klimaanlage ohne Klimaanlage	3301.80D 4436.80D 3302.80D
			1994.01 - 1999.09	ohne Klimaanlage Motornummer →1897563	4434.80D
55 1.1	176 A6.000, 176 B2.000	1.1	1993.09 - 1999.09		3105.87D
60 1.2	176 A7.000, 176 B1.000, 176 B4.000	1.2	1994.01 - 2000.06		3105.87D
60 TD 1.7	176 B7.000	1.7	1996.09 - 1999.09	mit Klimaanlage	4436.80D
75 1.2	176 A8.000	1.2	1993.10 - 1999.09		3105.87D
85 16V 1.2	176 B9.000	1.2	1997.04 - 2000.06		3105.87D
PUNTO (188)					
1.2 16V 80	188 A5.000	1.2	1999.09 -		3151.87D
1.2 60	188 A4.000	1.2	1999.09 -		3105.87D
1.4	843 A1.000	1.4	2003.09 -		3151.87D
1.8 130 HGT	183 A1.000, 188 A6.000	1.8	1999.09 -		410514.88D ▲
1.9 JTD	188 A7.000	1.9	2000.02 -		410591.88D ▲
1.9 JTD 80	188 A2.000	1.9	1999.09 -		410591.88D ▲
PUNTO / GRANDE PUNTO (199)					
1.2	199 A4.000	1.2	2005.10 -		410090.88D ▲
1.3 D Multijet	199 A2.000, 199 A3.000	1.3	2005.10 -		410048.88D ▲
1.4	350 A1.000	1.4	2005.10 -		410090.88D ▲
1.4 16V	199 A6.000	1.4	2005.10 -		410090.88D ▲
1.9 D Multijet	199 A5.000, 939 A1.000	1.9	2005.10 -		410049.88D ▲
QUBO					
1.3 D Multijet	199 A2.000	1.3	2008.09 -		410048.88D ▲
1.4	KFT, KFV	1.4	2008.09 -		3463.89D
REGATA					
60 Diesel 1.7	149 B3.000	1.7	1984.01 - 1989.12		3431.80D
65 Diesel 1.9	149 A1.000	1.9	1984.04 - 1989.07		3431.80D
80 Turbo Diesel 1.9	831 D1.000	1.9	1986.05 - 1989.07		3431.80D

Thermostate
Thermostats
Thermostats



FIAT

	Motor Engine Moteur	Ltr. Ltr. Ltr.	Jahr Year Année	Einschränkung Restriction* Restriction*	Thermostat Thermostat Thermostat
RITMO I (138A)					
60 1.0	127 A6.000	1.0	1978.09 - 1982.09		4091.82D ▲
65 1.3	138 A1.000	1.3	1978.01 - 1982.09		3343.80D
85 1.5	138 A4.000	1.5	1981.01 - 1982.09		3343.80D
RITMO II (138A)					
60 Diesel 1.7	138 C.000, 149 B3.000	1.7	1985.05 - 1987.12		3431.80D
75 1.5	138 A2.000	1.5	1985.09 - 1988.12		3343.80D
80 Turbo Diesel 1.9	831 D1.000	1.9	1985.12 - 1987.12		3431.80D
SCUDO (220)					
1.9 D	D9B, WJZ (DW8)	1.9	1996.02 - 1998.04		4446.83D
1.9 TD	D8B, DHX (XUD9TF/L)	1.9	1996.02 -		4446.83D
2.0	RFN	2.0	2000.05 -		3463.89D
2.0 16V	RFN	2.0	2000.06 -		3483.89D
2.0 JTD	RHX, RHZ	2.0	1999.12 -		4446.83D
SEDICI					
1.9 D Multijet	D19AA	1.9	2006.06 -		410049.88D ▲
SEICENTO (187)					
0.9	1170 A1.046	0.9	1998.01 -		410007.87D
1.1	176 B2.000, 187 A1.000	1.1	1998.01 -		3105.87D
SIENA					
1.2	178 B5.000	1.2	1998.09 -		3105.87D
1.6 16V	178 B3.000	1.6	1998.09 -	Motornummer 60933→	3163.88D
STILO					
1.2 16V	188 A5.000	1.2	2002.02 -		3151.87D
1.4 16V	192 B2.000, 843 A1.000	1.4	2004.01 -		3151.87D
1.6 16V	182 B6.000	1.6	2003.01 -		3163.88D
1.6 16V (192_XB1A)	182 B6.000	1.6	2001.10 -		3163.88D
1.8 16V	192 A4.000	1.8	2003.01 -		410514.88D ▲
1.8 16V (192_XC1A)	192 A4.000	1.8	2001.10 -		410514.88D ▲
1.9 D Multijet	192 A9.000	1.9	2005.09 -		410511.88D ▲
1.9 JTD	192 A1.000, 192 A3.000, 937 A7.000	1.9	2003.01 - 2003.01 -		410352.88D ▲ 410511.88D ▲
1.9 JTD (192_XE1A)	192 A1.000, 937 A7.000	1.9	2001.10 -		410511.88D ▲
1.9 JTD (192_XF1A)	192 A3.000	1.9	2002.02 -		410511.88D ▲
2.4 20V	192 A2.000	2.4	2001.10 -		410994.88D ▲
STRADA (178E)					
1.2	178 B5.000	1.2	1999.06 -		3105.87D
1.7 TD	176 A3.000	1.7	1999.06 - 1999.06 -	ohne Klimaanlage mit Klimaanlage	4434.80D 4436.80D
TALENTO (290)					
1.9 D	149 B1.000	1.9	1989.03 - 1994.03		3431.80D
2.0	170 B	2.0	1989.03 - 1994.03		3061.82
TEMPRA (159)					
1.4 i.e.	159 A2.000, 160 A1.046, 836 A4.000	1.4	1991.03 - 1996.08	Motornummer →8742134	3109.87D
1.6	159 A3.000	1.6	1990.03 - 1993.04	Motornummer →8742134	3109.87D



Thermostate
Thermostats
Thermostats

FIAT

**Motor
Engine
Moteur**

**Ltr.
Ltr.
Ltr.**

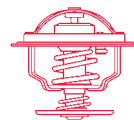
**Jahr
Year
Année**

**Einschränkung
Restriction*
Restriction***

**Thermostat
Thermostat
Thermostat**

1.6 i.e.	159 A3.046	1.6	1990.06 - 1992.07	Motornummer →8742134	3109.87D
1.8	159 A4.000	1.8	1992.07 - 1993.06		3159.82D
1.8 i.e.	159 A4.046, 835 C2.000, 835 C4.000, 836 A5.000	1.8	1990.03 - 1996.08	Motornummer →1509143	3159.82D
			1990.03 - 1996.08	Motornummer 1509143→	410956.83D ▲
1.9 D	149 A1.000, 160 A7.000	1.9	1991.07 - 1996.08		3431.80D
2.0 i.e	159 A6.046	2.0	1990.10 - 1996.08	Motornummer →1518014	3159.82D
			1990.10 - 1996.08	Motornummer 1518014→	410956.83D ▲
2.0 i.e.	159 A6.046	2.0	1991.01 - 1995.03	Motornummer →1518014	3159.82D
			1991.01 - 1995.03	Motornummer 1518014→	410956.83D ▲
TIPO (160)					
1.1	160 A3.000	1.1	1988.01 - 1991.10		3105.87D
1.4	160 A1.000, 160 A1.048	1.4	1987.07 - 1989.12	160 A1.000	3109.87D
1.4 i.e.	159 A2.000, 160 A1.046, 836 A4.000	1.4	1989.05 - 1995.04	Motornummer →8742134	3109.87D
1.6	160 A2.000	1.6	1988.01 - 1991.10		3109.87D
1.6 i.e.	149 C2.046, 159 A3.046, 159 A3.048, 835 C1.000	1.6	1988.02 - 1995.04		3109.87D
1.6 SX DGT	159 A3.000	1.6	1989.05 - 1992.10	Motornummer →8742134	3109.87D
1.7 D	149 B4.000	1.7	1988.01 - 1995.10		3431.80D
1.8 i.e	836 A5.000	1.8	1993.03 - 1995.04	Motornummer →1509143	3159.82D
1.8 i.e.	159 A4.000, 159 A4.046, 835 C2.000, 835 C4.000	1.8	1990.10 - 1995.04	Motornummer →1509143	3159.82D
1.9 D	149 A1.000, 160 A7.000	1.9	1991.07 - 1996.08		3431.80D
2.0	159 A5.046, 159 A6.046	2.0	1990.10 - 1992.10		3159.82D
2.0 i.e. (160.AJ)	159 A5.046	2.0	1990.06 - 1992.03		3159.82D
2.0 i.e. (160.AT, 160.AJ)	159 A6.046	2.0	1990.03 - 1995.04	Motornummer →1518014	3159.82D
			1990.03 - 1995.04	Motornummer 1518014→	410956.83D ▲
ULYSSE (220)					
1.8 (220.BB5)	LFW	1.8	1997.05 - 2002.08		3136.82D50
			1997.05 - 2002.08		3136.88D50
1.9 TD (220AH5)	DHX (XUD9TF/L)	1.9	1995.02 - 2002.08		4446.83D
2.0 (220.AC5)	RFU (XU10J2C)	2.0	1994.06 - 2002.08		3136.82D50
			1994.06 - 2002.08		3136.88D50
2.0 16V	RFN, RFV	2.0	2000.09 - 2002.08		3463.89D
			1998.05 - 2000.09		4450.83D
2.0 JTD	RHZ	2.0	1999.10 - 2002.08		4446.83D
2.0 Turbo (220.AD5)	RGX (XU10J2CTE)	2.0	1994.06 - 2002.08		3136.82D50
2.1 TD	P8C	2.1	1996.03 - 1999.10		4446.83D
ULYSSE (179)					
2.0	RFN(EW10J4)	2.0	2002.08 -		3463.89D
2.0 JTD	RHM(DW10ATED4), RHW(DW10ATED4)	2.0	2002.08 -		4446.83D
2.2 JTD	4HW(DW12ATED4)	2.2	2002.08 -		4446.83D

Thermostate
Thermostats
Thermostats



FIAT

	Motor Engine Moteur	Ltr. Ltr. Ltr.	Jahr Year Année	Einschränkung Restriction* Restriction*	Thermostat Thermostat Thermostat
UNO (146A/E)					
1.3 Super Diesel	127 A5.000, 146 B1.000	1.3	1983.06 - 1992.03 1983.06 - 1992.03	127 A5.000 146 B1.000	3355.80D 3373.80D
45 0.9	146 A.000, 146 A.1000	0.9	1983.03 - 1992.09		3360.87D
45 1.0 (146A.ED)	156 A2.048, 156 A2.100	1.0	1986.06 - 1993.12		3105.87D
45 i.e. 1.0	156 A2.246	1.0	1984.04 - 1995.10		3105.87D
50 1.1	146 A4.044, 156 C.046	1.1	1986.01 - 1993.12		3105.87D
50 i.e. 1.1	146 C3.000	1.1	1992.06 - 1993.12		3105.87D
55 1.0		1.0	1994.04 - 2000.08		3105.87D
60 1.1	160 A3.000	1.1	1989.04 - 1992.12		3105.87D
60 Diesel 1.7	146 B2.000, 149 B3.000	1.7	1986.07 - 1993.12	ohne Klimaanlage	3431.80D
70 i.e. 1.4	160 A1.046	1.4	1989.09 - 1993.12		3109.87D
70 TD 1.4	146 B.000, 146 B3.000	1.4	1986.10 - 1990.10		3431.80D
X 1/9 (128 AS)					
1.5 Five Speed	138 AS.000, 138 BS.031	1.5	1978.11 - 1989.12		4033.82D

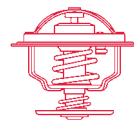


Thermostate
Thermostats
Thermostats

FORD

	Motor Engine Moteur	Ltr. Ltr. Ltr.	Jahr Year Année	Einschränkung Restriction* Restriction*	Thermostat Thermostat Thermostat
CAPRI III					
1.3	J1E	1.3	1978.01 - 1985.06		3021.88D50
1.6	LCN	1.6	1978.01 - 1987.04		3021.88D50
2.0	NEN, NYL, OHC TL 20 H	2.0	1978.01 - 1985.12 1978.01 - 1982.12	V6	3021.88D50 4256.87D50
2.3 Super	YYN	2.3	1979.06 - 1985.12		4256.87D50
2.8 i Turbo	PYN	2.8	1982.01 - 1987.04		4256.87D50
2.8 Super Injection	PRN	2.8	1981.01 - 1987.04		4256.87D50
3.0		3.0	1978.01 - 1981.12		3004.88D1
C-MAX					
1.6	HWDA, HWDB, SHDA, SHDB, SHDC	1.6	2007.02 -		4483.82D
COUGAR					
2.0 16V	EDBA, EDBB, EDBC, EDBD	2.0	1998.08 - 2001.12		4270.88D
ECONOVAN					
1.4	UC	1.4	1986.03 - 1992.03		3119.88D3
ENDEAVOUR (25N_)					
2.5 TD	WL84	2.5	2003.05 -		4639.82D
ESCORT I / II --> 1980					
950		1.0	1968.08 - 1974.08		3004.88D1
1.1	G1, G2	1.1	1974.12 - 1980.08		3004.88D1
1.3	J1F, J2, J3, KL 13 H	1.3	1974.12 - 1981.07		3004.88D1
1.6 RS	LC	1.6	1974.12 - 1980.08		3004.88D1
1100	G1, KL11	1.1	1968.01 - 1976.02		3004.88D1
1300	J1F, J2, J3D	1.3	1968.06 - 1976.02		3004.88D1
1300 GT	KL 13 H	1.3	1968.06 - 1971.06		3004.88D1
2.0 RS	NE	2.0	1973.03 - 1980.08		3021.88D50
Mexico	KL 16 R	1.6	1970.01 - 1975.10		3004.88D1
RS 1600		1.6	1970.01 - 1974.10		3004.88D1
RS 1800	KL 18 S	1.8	1975.03 - 1977.08		3021.88D50
Twin Cam		1.6	1968.03 - 1971.08		3004.88D1
ESCORT III / IV 1980 --> 1990					
1.1	GLB, GMA, GPA, GSE, GSG	1.1	1985.10 - 1990.09 1980.09 - 1986.02		3004.88D1 3021.88D50
1.3	JBA, JBB, JLA, JLB, JPA	1.3	1986.01 - 1990.10 1980.09 - 1986.02		3004.88D1 3021.88D50
1.4	F6B, F6D, FUA, FUAA, FUC	1.4	1985.10 - 1990.10		3021.88D50
1.4 i	F6B, F6D, FUC	1.4	1986.02 - 1990.07		3021.88D50
1.6	CHT 1600, LJB, LP1, LP2, LPA, LRB, LUA, LUG	1.6	1980.09 - 1990.07		3021.88D50
1.6 D	LTA, LTC	1.6	1984.02 - 1990.07		4256.87D50
1.6 i	L4B, LJB, LR1, LRA	1.6	1983.09 - 1990.07		3021.88D50
1.6 RS Turbo	LNA	1.6	1984.11 - 1985.12		3021.88D50
1.6 Turbo RS	LNB	1.6	1986.01 - 1990.07		3021.88D50
1.6 XR3i	LR1, LR2, LRA, LRB	1.6	1982.10 - 1990.07		3021.88D50
1.7 Turbo RS		1.7	1982.09 - 1986.02		3021.88D50
1.8 D	RTA, RTB	1.8	1988.07 - 1990.07		4256.87D50
RS 1600i		1.6	1982.05 - 1985.12		3021.88D50
ESCORT V / VI / VII / Classic 1990 -->					
1.3	J4B, J6A, JBD	1.3	1990.07 - 1999.02		3004.92D1
1.4	F4B, F6F, F6G, FUH	1.4	1990.07 - 1999.02		3021.88D50

Thermostate
Thermostats
Thermostats



FORD

	Motor Engine Moteur	Ltr. Ltr. Ltr.	Jahr Year Année	Einschränkung Restriction* Restriction*	Thermostat Thermostat Thermostat
1.4 i	F4B	1.4	1993.07 - 1995.01		3021.88D50
1.6	LJF, LUJ, LUK	1.6	1990.07 - 1992.12		3021.88D50
1.6 16V	L1E	1.6	1995.01 - 2000.07		4270.88D
1.6 16V XR3i	L1E, L1H	1.6	1992.12 - 1999.09		4270.88D
1.6 i 16V	L1E, L1H, L1K	1.6	1992.09 - 1999.02		4270.88D
1.8 16V	RDA, RKC	1.8	1992.02 - 1999.02		4270.88D
1.8 16V XR3i	RDA, RKC, RQB	1.8	1992.02 - 2000.08		4270.88D
1.8 D	RTE, RTF, RTH	1.8	1990.07 - 1999.02		4270.88D
1.8 i 16V	RDA, RQB	1.8	1992.09 - 1995.01		4270.88D
1.8 TD	RFD, RFK, RFS	1.8	1991.05 - 2000.07		4270.88D
1.8 Turbo D	RVA	1.8	1995.12 - 2001.06		4270.88D
1.8 XR3i 16V	RDA, RQB	1.8	1993.08 - 1995.01		4270.88D
RS 2000	N7A	2.0	1991.05 - 1998.02		3021.88D50
EVEREST (25N_)					
2.5 TD	WL84	2.5	2003.05 -		4639.82D
EXPLORER (U2)					
4.0		4.0	1994.11 - 1996.08		3100.92D ▲
4.0 V6		4.0	1993.01 -		3100.92D ▲
FIESTA I (GFBT)					
0.9	TKA, TKW, TLA	0.9	1976.05 - 1983.08		3004.88D1
1.1	GLA, GLW	1.1	1976.05 - 1983.08		3004.88D1
1.3	J3E	1.3	1977.08 - 1983.08		3004.88D1
1.6 XR2	L3E	1.6	1981.08 - 1983.08		3004.88D1
FIESTA II (FBD)					
1.0	TKB	1.0	1983.09 - 1989.11		3004.88D1
1.1	GLC, GSF, GSH	1.1	1983.09 - 1989.02		3004.88D1
1.3	JPC	1.3	1983.09 - 1987.01		3021.88D50
1.4	F6A, F6C, FUB, FUBA, FUD	1.4	1983.09 - 1989.11		3021.88D50
1.6 D	LTB	1.6	1984.04 - 1989.02		4256.87D50
1.6 XR2	LUB, LUD	1.6	1984.03 - 1989.02		3021.88D50
FIESTA III (GFJ)					
1.0	TLB	1.0	1989.03 - 1989.10 1989.10 - 1995.12		3004.88D1 3004.92D1
1.1	G6A, GUD, GUE	1.1	1989.03 - 1989.10 1989.10 - 1995.12		3004.88D1 3004.92D1
1.3	J6B, JBC	1.3	1989.03 - 1989.10 1989.10 - 1997.01		3004.88D1 3004.92D1
1.4	F4A, F6E, FUG, FUJ	1.4	1989.03 - 1995.12		3021.88D50
1.6	LUH	1.6	1989.01 - 1994.01		3021.88D50
1.6 i 16V	L1G	1.6	1994.01 - 1995.12		4270.88D
1.6 Turbo	LHA	1.6	1990.03 - 1992.10		3021.88D50
1.6 XR2i	LJC, LJD	1.6	1989.03 - 1994.01	CVH	3021.88D50
1.8 16V	RDB	1.8	1992.02 - 1995.12		4270.88D
1.8 D	RTC, RTD, RTG	1.8	1989.03 - 1995.12		4270.88D
1.8 TD	RFL	1.8	1993.03 - 1995.12		4270.88D
1.8 XR2i 16V	RQC	1.8	1992.02 - 1995.12		4270.88D
FIESTA IV (JA_, JB_)					
1.0 i		1.0	1997.02 - 2002.01		3004.92D1
1.25 i 16V	DHA, DHB, DHC, DHD, DHE, DHF, DHG	1.2	1995.08 - 2002.01		4457.82D
1.3 i	J4C, J4J, J4L, J4Q, J4R, J4T, JJA, JJC, JJE, JJJ, JJK, JJM	1.3	1995.08 - 2002.01		3004.88D1
1.4 i 16V	FHA, FHE	1.4	1996.04 - 2002.01		4457.82D

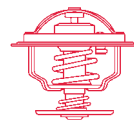


Thermostate
Thermostats
Thermostats

FORD

	Motor Engine Moteur	Ltr. Ltr. Ltr.	Jahr Year Année	Einschränkung Restriction* Restriction*	Thermostat Thermostat Thermostat
1.6 16V Sport	L1T, L1V	1.6	2000.02 - 2002.01		4457.82D
1.8 D	RTJ, RTK	1.8	1995.08 - 2000.04		4270.88D
1.8 DI	RTN, RTP, RTQ	1.8	2000.04 - 2002.01		410131.88D ▲
Fiesta COURIER (F3L, F5L)					
1.3	J6B	1.3	1991.09 - 1996.02		3004.88D1
1.8 D	RTC, RTD, RTG	1.8	1991.09 - 1996.02		4270.88D
1.8 TD		1.8	1993.07 - 1995.08		4270.88D
FIESTA Courier (J5_, J3_)					
1.3	J4C	1.3	1996.02 -		3004.88D1
1.4 i	FHA	1.4	1996.04 - 1999.10	FHA, FHE	4457.82D
1.8 D	RTK	1.8	1996.02 -		4270.88D
1.8 DI	RTN, RTP	1.8	2000.09 -		410131.88D ▲
FIESTA Kasten (FVD)					
1.0	TKB	1.0	1983.08 - 1989.11		3004.88D1
1.8 D	RTC, RTD, RTG	1.8	1989.03 - 1995.12		4270.88D
1.8 TD		1.8	1993.07 - 1995.08		4270.88D
FIESTA Kasten (JV_)					
1.8 D	RTJ, RTK	1.8	1998.05 -		410131.88D ▲
1.8 TD	RTN, RTP, RTQ	1.8	2000.03 -		410131.88D ▲
FIESTA Kasten (WFVT)					
1.0	TKA	1.0	1977.10 - 1986.11		3004.88D1
1.1		1.1	1977.10 - 1986.11		3004.88D1
FIESTA V (JH_, JD_)					
1.25 16V	FUJA, FUJB, M7JA, M7JB	1.2	2002.05 - 2003.09 2003.09 -		4457.82D 4483.82D
1.4 16V	FXJA, FXJB	1.4	2001.11 - 2003.09 2003.09 -		4457.82D 4483.82D
1.6 16V	FYJA, FYJB	1.6	2001.11 - 2003.09 2003.09 -		4457.82D 4483.82D
FIESTA VI					
1.25	SNJA, SNJB, STJA, STJB	1.2	2008.10 -		4483.82D
1.4	SPJA, SPJC	1.4	2008.10 -		4483.82D
FOCUS (DAW, DBW, DFW, DNW)					
1.4 16V	FXDA, FXDB, FXDC, FXDD	1.4	1998.10 - 2003.09 2003.09 - 2004.11		4457.82D 4483.82D
1.6 16V	FYDA, FYDB, FYDC, FYDD, FYDH	1.6	1998.10 - 2003.09 2003.09 - 2004.11		4457.82D 4483.82D
1.8 16V	EYDB, EYDC, EYDD, EYDE, EYDF, EYDG, EYDI, EYDJ, EYDL	1.8	1998.10 - 2004.11		4270.88D
1.8 DI / TDDi	BHDA, BHDB	1.8	1999.08 - 2004.11		410131.88D ▲
1.8 TDCi	F9DA, F9DB, FFDA	1.8	2001.03 - 2004.11		410131.88D ▲
1.8 Turbo DI / TDDi	C9DA, C9DB, C9DC	1.8	1998.10 - 2004.11		410131.88D ▲
2.0 16V	EDDB, EDDC, EDDD, EDDF	2.0	1998.10 - 2004.11		4270.88D
RS	HMDA	2.0	2002.10 - 2004.11		4270.88D
ST170	ALDA	2.0	2002.03 - 2004.11		4270.88D
FOCUS C-MAX					
1.6	HWDA, HWDB	1.6	2003.10 - 2007.03		4483.82D
1.6 Ti	HXDA, SIDA	1.6	2006.01 - 2007.03 2004.08 - 2006.12		410016.98D ▲ 4825.98D ▲

Thermostate
Thermostats
Thermostats



FORD

	Motor Engine Moteur	Ltr. Ltr. Ltr.	Jahr Year Année	Einschränkung Restriction* Restriction*	Thermostat Thermostat Thermostat
1.8 TDCi	KKDA	1.8	2005.01 - 2007.03		410131.88D ▲
FOCUS II					
1.4	ASDA, ASDB	1.4	2004.11 -		4483.82D
1.6	HWDA, HWDB, SHDA	1.6	2004.11 -		4483.82D
1.6 Ti	HXDA, HXDB	1.6	2006.01 - 2004.11 - 2005.12		410016.98D ▲ 4825.98D ▲
1.8 TDCi	KKDA, KKDB	1.8	2004.11 -		410131.88D ▲
FUSION					
1.25	FUJA, FUJB	1.2	2004.08 -		4457.82D
1.4	FXJA, FXJB	1.4	2002.08 - 2003.09 2003.09 -		4457.82D 4483.82D
1.6	FYJA, FYJB	1.6	2002.08 - 2003.09 2003.09 -		4457.82D 4483.82D
GALAXY					
1.8 TDCi	FFWA, QYWA	1.8	2006.05 -		410131.88D ▲
1.9 TDI	1Z, AFN, AHU, ANU, ASZ, AUZ, AVG, BTB	1.9	1995.03 - 2006.05		4264.87D
2.0 i	NSE, ZVSA	2.0	1995.11 - 2006.05		3021.88D50
2.3	Y5B	2.3	1996.09 - 2000.04		3021.88D50
2.3 16V	E5SA, Y5B	2.3	1997.01 - 2006.05		3021.88D50
2.8 V6	AYL	2.8	2000.04 - 2006.05		4123.80D
2.8 i V6	AAA, AMY	2.8	1995.11 - 2000.04		4123.80D
GRANADA					
1.6	LCK	1.6	1981.07 - 1985.08		3021.88D50
1.7	MWB, MY, MYE, TV 17 H, TV 17 HC, TV 17 LC	1.7	1972.03 - 1982.05		3021.88D50
1.9 D		1.9	1977.08 - 1982.08		3053.75
2.0	NEK, NEP, NY, NYP, OHC LC, TL 20 LC	2.0	1972.03 - 1985.08 1977.08 - 1985.08	V 6	3021.88D50 4256.87D50
2.1 D	WTA	2.1	1977.08 - 1982.08		3053.75
2.3	YYH, YYP, YYU	2.3	1972.01 - 1985.08		4256.87D50
2.5		2.5	1972.01 - 1976.02		4256.87D50
2.5 D	STP	2.5	1982.08 - 1985.08		4147.80D
2.6	TV 26 L	2.6	1972.01 - 1977.08		4256.87D50
2.8	PYA, PYU	2.8	1977.08 - 1985.08		4256.87D50
2.8 i	PRB, PRC, PRD	2.8	1977.08 - 1985.08		4256.87D50
3.0	EV 30 H	3.0	1972.01 - 1976.02		4256.87D50
KA (RB_)					
1.0 i	ZH10JRB	1.0	1997.07 - 2008.11		3004.92D1
1.3 i	BAA, J4D, J4K, J4M, J4N, J4P, J4S, JJB, JJD, JJF, JJG, JJH, JJJ	1.3	1996.09 - 2008.11		3004.92D1
MAVERICK					
2.0 16V	YF	2.0	2001.02 -		4270.88D
2.4 i	KA-24, KA24-E	2.4	1993.02 - 1998.04		4637.76D ▲
MONDEO I (GBP, BNP)					
1.6 i 16V	L1F, L1J	1.6	1993.02 - 1996.08		4270.88D
1.8 i 16V	RKA, RKB	1.8	1993.02 - 1996.08		4270.88D
1.8 TD	RFM, RFN	1.8	1993.06 - 1996.08		4270.88D
2.0 i 16V	NGA	2.0	1993.01 - 1996.08		4270.88D
MONDEO II (BAP, BFP, BNP)					
1.6 i	L1J	1.6	1996.09 - 2000.11		4270.88D

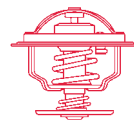


Thermostate
Thermostats
Thermostats

FORD

	Motor Engine Moteur	Ltr. Ltr. Ltr.	Jahr Year Année	Einschränkung Restriction* Restriction*	Thermostat Thermostat Thermostat
1.6 i 16V	L1L, L1N, L1Q	1.6	1998.05 - 2000.11		4270.88D
1.8 i	RKB, RKF, RKH, RKJ, RKK	1.8	1996.09 - 2000.11		4270.88D
1.8 TD	RFN	1.8	1996.09 - 2000.11		4270.88D
2.0 i	NGA, NGB, NGC, NGD	2.0	1996.09 - 2000.11		4270.88D
MONDEO III (B4Y, B5Y, BWY)					
2.0 16V DI / TDDi / TDCi	D5BA, SDBA	2.0	2000.11 - 2007.08		3497.88D
2.0 16V TDDi / TDCi	D6BA, HJBA, HJBB, HJBC	2.0	2000.11 - 2007.08		3497.88D
2.0 TDCi	FMBA, N7BA	2.0	2001.10 - 2007.08		3497.88D
2.2 TDCi	QJBA, QJBB	2.2	2004.09 - 2007.08		3497.88D
MONDEO IV					
1.6 Ti	PNBA, RHBA	1.6	2007.03 -		4483.82D
1.8 TDCi	FFBA	1.8	2007.03 -		410131.88D ▲
ORION I / II (AFD, AFF)					
1.3	JBB, JLA, JLB, JPA	1.3	1985.12 - 1990.07 1983.07 - 1986.03		3004.88D1 3021.88D50
1.4	F6B, F6D, FUA, FUA, FUC	1.4	1985.12 - 1990.07		3021.88D50
1.6	LP1, LPA, LUC	1.6	1983.07 - 1990.07		3021.88D50
1.6 D	LTA, LTC	1.6	1984.02 - 1989.01		4256.87D50
1.6 i	L4B, LJB, LR1, LRA, LRB	1.6	1983.07 - 1990.07		3021.88D50
1.8 D	RTA, RTB	1.8	1989.01 - 1990.07		4256.87D50
ORION III (GAL)					
1.3	J4B, J6A	1.3	1990.07 - 1993.12		3004.92D1
1.4	F6F, F6G, FUH	1.4	1990.07 - 1993.12		3021.88D50
1.6	LUJ, LUK	1.6	1990.07 - 1992.12		3021.88D50
1.6 i	LJF	1.6	1990.07 - 1992.09		3021.88D50
1.6 i 16V	L1E, L1K	1.6	1992.07 - 1993.12	Zetec	4270.88D
1.8 D	RTE, RTF, RTH	1.8	1990.11 - 1993.12		4270.88D
1.8 i 16V	RDA, RQB	1.8	1992.01 - 1993.12		4270.88D
1.8 TD	RFD, RFK	1.8	1992.03 - 1993.12		4270.88D
P 100					
1.6	LCR	1.6	1982.04 - 1987.09		3021.88D50
1.8 TD	RFA	1.8	1987.10 - 1992.12		4270.88D
2.0	NAE	2.0	1987.10 -		3021.88D50
PROBE II (ECP)					
2.0 16V	FS	2.0	1993.10 - 1998.03		4639.82D
PUMA (EC)					
1.4 16V	FHD, FHF	1.4	1997.11 - 2000.10		4457.82D
1.6 16V	L1W	1.6	2000.08 -		4457.82D
1.7 16V	MHA, MHB	1.7	1997.03 -		4457.82D
ST 160		1.7	1999.06 -		4457.82D
RANGER					
2.5 D	WL	2.5	1999.10 - 2002.04		4639.82D
2.5 TD	WL-T	2.5	1999.10 -		4639.82D
2.5 TDdi		2.5	2002.04 - 2005.09		4639.82D
3.0 TDCi		3.0	2005.05 -		4639.82D
SCORPIO I (GAE, GGE)					
1.8	REC	1.8	1985.04 - 1992.02		3021.88D50
2.0	N8A, N8B, N8D, NEL	2.0	1985.04 - 1989.08 1985.04 - 1993.03	OHC DOHC	3021.88D50 3100.88D

Thermostate
Thermostats
Thermostats



FORD

	Motor Engine Moteur	Ltr. Ltr. Ltr.	Jahr Year Année	Einschränkung Restriction* Restriction*	Thermostat Thermostat Thermostat
2.0 i	N9D, N9F, NRA, NRC, NRI	2.0	1985.04 - 1992.02 1989.05 - 1994.09	OHC DOHC	3021.88D50 3100.88D
2.4 i	ARC, ARD	2.4	1986.09 - 1994.10		4270.88D
2.5 D	STR	2.5	1985.12 - 1994.12		4147.80D
2.5 TD	SCB, SFA, SFB	2.5	1988.06 - 1994.09		4147.80D
2.8 i	PRE	2.8	1985.04 - 1986.11		4256.87D50
2.9 24V	BOA	2.9	1993.08 - 1994.09		4270.88D
2.9 i	BRC, BRD, BRE, BRF	2.9	1986.09 - 1994.12		4270.88D
2.9 i 24V	BOA	2.9	1991.04 - 1994.09		4270.88D

SCORPIO II (GFR, GGR, GNR)

2.0 i	NSD	2.0	1994.10 - 1998.08	DOHC	3100.88D
2.0 i 16V	N3A	2.0	1994.10 - 1998.08	DOHC	3100.88D
2.3 i 16V	Y5A	2.3	1996.06 - 1998.08	DOHC	3100.88D
2.5 TD	SCC, VM	2.5	1994.10 - 1998.08		4158.80D
2.9 i	BRG	2.9	1995.02 - 1998.08		4270.88D
2.9 i 24V	BOB	2.9	1994.10 - 1998.08		4270.88D

SIERRA

1.3	JCT	1.3	1982.08 - 1986.12		3021.88D50
1.6	LCS, LCT, LSD, LSE, LSF	1.6	1982.08 - 1993.02		3021.88D50
1.6 i	L6B	1.6	1989.10 - 1993.02		3021.88D50
1.8	R2A, R2C, R6A, REB, RED, REF	1.8	1984.10 - 1993.02	Ø 48mm	3021.88D50
1.8 TD	RFA, RFB, RFL	1.8	1988.08 - 1993.02		4270.88D
2.0	N8A, N8C, N9C, NES, NET, NR2, NRB, NRD, NYT	2.0	1982.08 - 1993.02 1987.01 - 1993.02 1982.08 - 1984.10	OHC DOHC V6	3021.88D50 3100.88D 4256.87D50
2.0 16V Cosworth	N5C, N5D	2.0	1990.01 - 1993.02 1990.01 - 1993.02	OHC DOHC	3021.88D50 3100.88D
2.0 i	N4A, N4B, N4I, N8A, N9B, N9C, NE5, NEJ, NR2, NRB	2.0	1985.03 - 1993.02 1987.01 - 1993.02	OHC DOHC	3021.88D50 3100.88D
2.0 i DOHC	N9E	2.0	1991.12 - 1993.02		3100.88D
2.0 RS Cosworth	N5B	2.0	1987.11 - 1990.01 1987.11 - 1990.01	OHC DOHC	3021.88D50 3100.88D
2.3	YYT	2.3	1982.08 - 1986.12		4256.87D50
2.3 D	YTR, YTT	2.3	1982.08 - 1993.02		4147.80D
2.8	PRG	2.8	1987.01 - 1988.08		4256.87D50
2.8 i	PR6, PR7, PR8	2.8	1982.08 - 1993.02		4256.87D50
2.8 i XR	PR5, PR6, PR7, PRG	2.8	1983.09 - 1993.02		4256.87D50
2.8 XR	PRT	2.8	1985.02 - 1986.12		4256.87D50
2.8 XR4i	PR5, PR6, PRT	2.8	1982.08 - 1986.12		4256.87D50
2.9	B4B, B4C	2.9	1988.08 - 1993.02		4270.88D
2.9 i	B4B, B4C	2.9	1988.08 - 1993.02		4270.88D
2.9 i XR	B4A, B4B, B4C	2.9	1988.08 - 1993.02		4270.88D

S-MAX

1.8 TDCi	QYWA	1.8	2006.05 -		410131.88D ▲
----------	------	-----	-----------	--	--------------

TAUNUS

2.0		2.0	1967.07 - 1974.04		4256.87D50
2.3		2.3	1967.07 - 1974.04		4256.87D50

TOURNEO CONNECT

1.8 16V	EYPA, EYPC, EYPD	1.8	2002.06 -		4270.88D
1.8 Di	BHPA, P7PA, P7PB, R2PA	1.8	2002.06 -		410131.88D ▲
1.8 TDCi	RWPA	1.8	2006.08 -		410131.88D ▲
1.8 Turbo Di	HCPA, HCPB	1.8	2002.06 -		410131.88D ▲

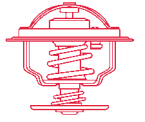


Thermostate
Thermostats
Thermostat

FORD

	Motor Engine Moteur	Ltr. Ltr. Ltr.	Jahr Year Année	Einschränkung Restriction* Restriction*	Thermostat Thermostat Thermostat
TRANSIT (E_)					
2.0	NBA, NCA, NSF, NSG	2.0	1991.09 - 1994.09 1994.06 - 2000.03	DOHC	3021.88D50 3100.88D
2.0 CNG	NSH	2.0	1994.06 - 2000.03		3100.88D
2.0 i	NCA	2.0	1991.09 - 1994.07		3021.88D50
2.5 DI	4BC, 4CC, 4DA, 4ED, 4FA, 4FB, 4FC, 4FD, 4GA, 4HB, 4HC	2.5	1991.05 - 2000.03		4270.88D
2.5 TD	4EA, 4EB, 4EC, 4GA, 4GB, 4GC, 4GD, 4GE, 4GF, 4HA, 4HD	2.5	1991.05 - 2000.06		4270.88D
2.5 TDI	4EB, 4EC	2.5	1994.06 - 2000.03		4270.88D
2.9 i	BRT	2.9	1991.01 -		4270.88D
TRANSIT (F_)					
2.0 DI	ABFA, D3FA, F3FA	2.0	2000.08 - 2006.05		3497.88D
2.0 TDCi	FIFA	2.0	2002.08 - 2006.05		3497.88D
2.3 16V	E5FA, E5FC	2.3	2000.08 - 2006.05		3100.88D
2.4 DI	D2FA, D2FB, D2FE, D4FA, F4FA	2.4	2000.01 - 2006.05		3497.88D
2.4 TD	F4FA	2.4	2000.08 - 2003.08		3497.88D
2.4 TDCi	H9FA	2.4	2004.03 - 2006.05		3497.88D
2.4 TDdi	D4FA	2.4	2000.08 - 2003.08		3497.88D
2.4 TDE	DOFA, FXFA	2.4	2001.07 - 2006.05		3497.88D
TRANSIT (T_)					
1.6	LAT	1.6	1985.09 - 1992.09		3021.88D50
2.0	N6T, N6TS, NAT, NAV	2.0	1985.09 - 1992.09		3021.88D50
2.0 L	NAW, NAX	2.0	1985.10 - 1991.03		3021.88D50
2.5 D	4AB, 4BA, 4CA	2.5	1985.12 - 1992.09		4147.80D
2.5 DI	4BA, 4CA	2.5	1988.09 - 1992.09		4147.80D
TRANSIT (V_)					
1.6	4RB, B	1.6	1977.11 - 1986.10		3021.88D50
2.0	4RC	2.0	1977.11 - 1986.10	OHC / TL20	3021.88D50
2.4 D	4AA	2.4	1977.11 - 1986.10		3004.74
2.5 D	4AB	2.5	1983.10 - 1986.10		4147.80D
TRANSIT 2007 -->					
2.2 TDCi	P8FA, P8FB, PGFA, PGFB, QVFA, QWFA, SRFA, SRFB, SRFC, SRFD, SRFE	2.2	2006.07 -		3497.88D
2.4 TDCi	H9FB, H9FD, JXFA, JXFC, PHFA, PHFC	2.4	2006.07 -		3497.88D
TRANSIT CONNECT					
1.8 16V	EYPA, EYPC, EYPD	1.8	2002.06 -		4270.88D
1.8 Di	BHPA, P7PA, P7PB, R2PA	1.8	2002.06 -		410131.88D ▲
1.8 TDCi	HCPA, HCPB, RWPA	1.8	2002.06 -		410131.88D ▲
TRANSIT TOURNEO					
2.2 TDCi	QVFA, QWFA, SRFA, SRFB, SRFC, SRFD, SRFE	2.2	2006.07 -		3497.88D

Thermostate
Thermostats
Thermostats



FSO

	Motor Engine Moteur	Ltr. Ltr. Ltr.	Jahr Year Année	Einschränkung Restriction* Restriction*	Thermostat Thermostat Thermostat
POLONEZ III 1.9 D	XUD 9A	1.9	1992.09 -		4446.83D

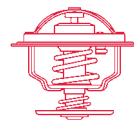


Thermostate
Thermostats
Thermostats

HONDA

	Motor Engine Moteur	Ltr. Ltr. Ltr.	Jahr Year Année	Einschränkung Restriction* Restriction*	Thermostat Thermostat Thermostat
ACCORD I (SJ, SY)					
1.6 L/EX	EG, EL	1.6	1978.01 - 1983.09		3119.82
ACCORD II (AC, AD)					
1.8 EX	ET1	1.8	1983.09 - 1985.10		3119.82
ACCORD III (CA4, CA5)					
1.6 L	A16A1	1.6	1985.11 - 1989.12		3119.82
2.0 EX	A20A1, A20A2	2.0	1985.11 - 1989.12		3119.82
2.0 EXi	A20A3, A20A4	2.0	1985.11 - 1989.12		3119.82
ACCORD IV (CB3, CB7, CB8, CB9, CC1)					
2.0 16V	F20A2, F20A3, F20A6	2.0	1990.01 - 1993.03		410224.78D ▲
2.0 i 16V	F20A4, F20A7, F20A8, F20Z3	2.0	1990.01 - 1993.12		410224.78D ▲
2.2 i 16V	F22A3, F22A7, F22A8	2.2	1990.01 - 1993.12		410224.78D ▲
ACCORD V (CC7, CD, CD7, CD9, CE)					
2.0	F20B3	2.0	1993.09 - 1997.12		410224.78D ▲
2.0 i	F20Z2	2.0	1993.03 - 1996.01		410224.78D ▲
2.0 i LS 16V	F20B3	2.0	1993.09 - 1998.02		410224.78D ▲
2.0 i S	F20Z1	2.0	1993.03 - 1996.01		410224.78D ▲
2.2 i ES	F22B5	2.2	1993.09 - 1998.02		410224.78D ▲
ACCORD VI (CE, CF)					
1.9 i	F18A3	1.9	1996.02 - 1998.10		410224.78D ▲
2.0 i LS	F20Z1	2.0	1996.02 - 1998.10		410224.78D ▲
2.2 i VTEC	F22Z2	2.2	1996.02 - 1998.10		410224.78D ▲
ACCORD VII (CG, CH, CK, CM)					
1.6	D16B6	1.6	1999.12 - 2002.12		410224.78D ▲
1.6 i	D16B6	1.6	1998.10 - 2002.12		410224.78D ▲
1.6 LS	D16B7	1.6	1998.10 - 2002.12		410224.78D ▲
1.8 i	F18B2	1.8	1998.10 - 2002.12		410224.78D ▲
2.0	F20B6, F20B7	2.0	1999.11 - 2002.12		410224.78D ▲
2.0 i	F20B6	2.0	1998.10 - 2001.01		410224.78D ▲
2.0 i 16V	F20B5, F20B7	2.0	1998.02 - 2003.06		410224.78D ▲
2.2 Type-R	H22A7	2.2	1999.02 - 2002.12		410224.78D ▲
2.3	F23A1, F23Z5	2.3	2000.11 - 2003.06		410224.78D ▲
2.3 16 V	F23A7	2.3	1998.02 -		410224.78D ▲
2.4 Vtec E	K24A2	2.4	2003.09 - 2005.09		410226.78D ▲
ACCORD VIII					
2.0	K20A, K20A6	2.0	2003.02 -		410226.78D ▲
2.4	K24A, K24A3	2.4	2003.02 -		410226.78D ▲
2.4 Vtec E	K24A2, K24A4	2.4	2003.02 - 2005.09		410226.78D ▲
2.4 Vtec T	K24A1	2.4	2003.09 -		410226.78D ▲
ASCOT					
1.8		1.8	1995.04 - 1997.10		410224.78D ▲
2.2 EX	F22A7, F22A8	2.2	1990.11 - 1996.10		410224.78D ▲
AVANCIER					
2.3	F23A	2.3	1999.09 - 2003.09		410224.78D ▲
CAPA					
1.5	D15B	1.5	1998.01 - 2002.09		410224.78D ▲
1.5 16V	D15B	1.5	1998.04 - 2002.09		410224.78D ▲

Thermostate
Thermostats
Thermostats



HONDA

	Motor Engine Moteur	Ltr. Ltr. Ltr.	Jahr Year Année	Einschränkung Restriction* Restriction*	Thermostat Thermostat Thermostat
CITY					
1.2	ER1, L12A2, L12A3	1.2	1980.11 - 2005.09		410224.78D ▲
1.3	L13A1, L13A3	1.3	1997.02 - 2005.09		410224.78D ▲
1.5	D15B7	1.5	1997.02 - 2003.09		410224.78D ▲
1.5 FF	L15A1	1.5	2004.09 - 2005.09		410224.78D ▲
1.5 Vtec		1.5	2000.08 - 2003.09		410224.78D ▲
CIVIC I					
1.5	EW2	1.5	1983.10 - 1987.10		4269.78D ▲
1200	EB2, EB3	1.2	1977.03 - 1980.12		3119.82
1300 L	EN1	1.3	1980.09 - 1983.09		3119.82
1300 S	EN4	1.3	1979.10 - 1984.12		3119.82
CIVIC II					
1.4 i 16V	D14A1	1.4	1988.01 - 1992.12		410224.78D ▲
1.5 i 16V	D15B2	1.5	1988.01 - 1991.11		410224.78D ▲
1.6	D16A, D16A7	1.6	1988.01 - 1992.12		410224.78D ▲
1.6 i 16V	D16A6	1.6	1988.01 - 1995.02 1988.01 - 1989.12		410224.78D ▲ 4269.78D ▲
1300	EN1	1.3	1979.09 - 1983.09		3119.82
1300 L	EN1	1.3	1979.09 - 1983.09		3119.82
CIVIC III					
1.2	D12B1, ZA2	1.2	1984.01 - 1987.10		4269.78D ▲
1.3	EV2	1.3	1983.10 - 1987.10		4269.78D ▲
1.5 GL	EW2	1.5	1983.10 - 1987.10		4269.78D ▲
1.5 GT	EW3	1.5	1985.01 - 1987.10		4269.78D ▲
1.5 GTI	EW4	1.5	1986.03 - 1987.10		4269.78D ▲
CIVIC IV					
1.3	D13B1	1.3	1987.10 - 1989.12		4269.78D ▲
1.3 16 V	D13B2	1.3	1989.09 - 1991.09		4269.78D ▲
1.3 16V	D13B2	1.3	1991.10 - 1995.11		410224.78D ▲
1.4 L	D14A1	1.4	1987.10 - 1989.12		4269.78D ▲
1.5	D15B1	1.5	1988.01 - 1989.12		4269.78D ▲
1.5 i 16V	D15B2, D15Z1, D15Z2	1.5	1991.10 - 1995.11 1987.10 - 1991.09		410224.78D ▲ 4269.78D ▲
1.6	D16Z5	1.6	1988.01 - 1991.12		4269.78D ▲
1.6 16V Vtec	D16Z6	1.6	1991.10 - 1995.11		410224.78D ▲
1.6 i 16V	D16A6, D16A7, D16A9, D16Z2	1.6	1987.09 - 1991.09		4269.78D ▲
1.6 i 16V Vtec	B16A1	1.6	1989.10 - 1991.09		4269.78D ▲
1.6 VTi 16V	B16A2	1.6	1991.10 - 1995.11		410224.78D ▲
CIVIC V					
1.5	D15B2	1.5	1992.01 - 1992.12		410224.78D ▲
1.5 i 16V	D15B2, D15Z1	1.5	1991.10 - 1995.11		410224.78D ▲
1.5 i LSi	D15B7	1.5	1994.01 - 1995.11		410224.78D ▲
1.6	D16Z7	1.6	1992.01 - 1995.10		410224.78D ▲
1.6 16V Vtec	D16Z6, D16Z7	1.6	1991.10 - 1995.11		410224.78D ▲
1.6 EX	D16A7	1.6	1993.08 - 1995.10		410224.78D ▲
1.6 i	D16Y7	1.6	1994.01 - 1995.11		410224.78D ▲
1.6 i Vtec	B16A2, D16Y6, D16Z9	1.6	1994.01 - 1996.03		410224.78D ▲
1.6 VTi	B16A2	1.6	1991.10 - 1995.11		410224.78D ▲
CIVIC VI					
1.4	D14A4	1.4	1995.11 - 1998.10		410224.78D ▲
1.4 16V	D14A7, D14A8	1.4	1997.01 - 2001.02		410224.78D ▲

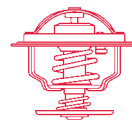


Thermostate
Thermostats
Thermostats

HONDA

	Motor Engine Moteur	Ltr. Ltr. Ltr.	Jahr Year Année	Einschränkung Restriction* Restriction*	Thermostat Thermostat Thermostat
1.4 i	D14A2, D14A3, D14A4, D14A5, D14Z1, D14Z2	1.4	1994.09 - 2001.02		410224.78D ▲
1.4 i S	D14A4, D14Z2	1.4	1995.11 - 2001.02		410224.78D ▲
1.5	D15Z3	1.5	1995.11 - 1996.12		410224.78D ▲
1.5 16V	D15Z8	1.5	1997.01 - 2001.02		410224.78D ▲
1.5 i	D15Z6	1.5	1995.11 - 2001.02		410224.78D ▲
1.5 i Vtec-E	D15Z3	1.5	1994.09 - 1997.01		410224.82D ▲
1.6	D16W4, D16Y2	1.6	1995.10 - 2000.10		410224.78D ▲
1.6 16V	D16B2	1.6	1997.01 - 2001.02		410224.78D ▲
1.6 i	D16Y3, D16Y5, D16Y7	1.6	1994.09 - 2001.02		410224.78D ▲
1.6 i Vtec	B16A2, D16Y2, D16Y6, D16Y8	1.6	1994.09 - 2001.02		410224.78D ▲
1.6 VTi	B16A2	1.6	1995.11 - 2001.02		410224.78D ▲
1.8 16V	B18C4	1.8	1997.01 - 2001.02		410224.78D ▲
CIVIC VII					
1.3 IMA	LDA1	1.3	2004.01 - 2005.09		410224.78D ▲
1.4	D14Z5	1.4	2001.02 - 2005.09		410224.78D ▲
1.4 i		1.4	2001.02 - 2005.09		410224.78D ▲
1.4 iS	D14Z5, D14Z6	1.4	2001.02 - 2005.09		410224.78D ▲
1.6	D16V1, R16A1	1.6	2001.02 - 2005.09		410224.78D ▲
1.6 i	D16V1	1.6	2001.02 - 2005.12		410224.78D ▲
1.7	D17A6	1.7	2001.02 - 2005.09		410224.78D ▲
1.7 i	D17A8	1.7	2001.05 - 2005.12		410224.78D ▲
1.7 i VTEC	D17A5, D17A9	1.7	2001.05 - 2005.12		410224.78D ▲
2.0 i Sport	K20A3	2.0	2004.01 - 2005.09		410225.78D ▲
2.0 Type-R	K20A2	2.0	2001.09 - 2005.09		410225.78D ▲
CIVIC VIII					
1.4	L13A7	1.4	2006.01 -		410224.82D ▲
1.8	R18A1, R18A2	1.8	2005.09 -		410224.78D ▲
2.0	K20Z4	2.0	2006.12 -		410226.78D ▲
Type R	K20Z4	2.0	2006.09 -		410226.78D ▲
CONCERTO					
1.4	D14A1, D14A8	1.4	1989.08 - 1992.10		410224.78D ▲
1.5 i 16V	D15B2	1.5	1989.08 - 1995.05		410224.78D ▲
1.6	D16A9	1.6	1989.10 - 1992.10		410224.78D ▲
1.6 16V	D16Z2	1.6	1989.08 - 1995.03		410224.78D ▲
1.6 i 16V	D16A8, D16Z2	1.6	1989.08 - 1995.03		410224.78D ▲
CR-V I (RD)					
2.0	B20Z1	2.0	1999.04 - 2002.02		410224.78D ▲
2.0 16V	B20B, B20Z1	2.0	1995.10 - 2002.02		410224.78D ▲
CR-V II					
2.0	K20A4	2.0	2002.07 - 2006.09		410225.78D ▲
CR-V III					
2.0 i	R20A2	2.0	2007.01 -		410224.78D ▲
CRX I (AF, AS)					
1.3	EV2	1.3	1983.10 - 1987.10		410224.78D ▲
1.5 i	EW3	1.5	1983.10 - 1986.11		410224.78D ▲
1.6 i 16V	ZC1	1.6	1986.03 - 1987.10		410224.78D ▲
CRX II (ED, EE)					
1.4 GL	D14A1	1.4	1990.01 - 1991.12		410224.78D ▲
1.6 i 16V	D16A, D16A6, D16A8, D16A9, D16Z5	1.6	1987.10 - 1992.02		410224.78D ▲

Thermostate
Thermostats
Thermostats



HONDA

	Motor Engine Moteur	Ltr. Ltr. Ltr.	Jahr Year Année	Einschränkung Restriction* Restriction*	Thermostat Thermostat Thermostat
1.6 i 16V Vtec	B16A1	1.6	1989.10 - 1992.02		410224.78D ▲
CRX III (EH, EG)					
1.5	D15B7	1.5	1994.01 - 1998.04		410224.78D ▲
1.6 ESi	D16Y8, D16Z6	1.6	1992.03 - 1998.12		410224.78D ▲
1.6 i VTi	B16A2	1.6	1992.03 - 1998.12		410224.78D ▲
DOMANI					
1.4	B13B	1.4	1994.11 - 1997.12		410224.78D ▲
1.5	D15B3	1.5	1992.10 - 2000.09		410224.78D ▲
1.6	D16Z2	1.6	1988.11 - 1997.12		410224.78D ▲
1.8	B18B6	1.8	1994.10 - 2000.09		410224.78D ▲
FIT					
1.3	L13A1	1.3	2001.09 - 2004.10		410224.82D ▲
1.5	L15A2	1.5	2003.05 -		410224.82D ▲
1.5 Vtec	L15AV	1.5	2001.09 -		410224.82D ▲
FR-V					
1.7	D17A2	1.7	2005.02 -		410224.78D ▲
1.8	R18A1	1.8	2007.01 -		410224.82D ▲
2.0	K20A9	2.0	2005.02 -		410225.78D ▲
HR-V (GH)					
1.6 16V	D16W1, D16W5	1.6	1999.03 -		410224.78D ▲
INTEGRA					
1.6	B16A	1.6	1989.09 - 1993.08		410224.78D ▲
1.6 Vtec		1.6	1989.09 - 1993.08		410224.78D ▲
1.8	F18A2	1.8	1989.09 - 1993.08		410224.78D ▲
1.8 Type-R	B18C6	1.8	1997.11 - 2001.10		410224.78D ▲
2.0	K20A3	2.0	2002.02 -		410225.78D ▲
2.0 16V Type-R		2.0	2002.02 -		410224.78D ▲
JAZZ I					
45 1.2	ER2	1.2	1984.02 - 1986.10		3119.82
56 1.2	ER1	1.2	1983.10 - 1986.10		3119.82
JAZZ II					
1.2	L12A1	1.2	2002.03 -		410224.82D ▲
1.4	L13A1	1.4	2002.03 - 2008.07		410224.82D ▲
JAZZ III					
1.2	L12B1	1.2	2008.07 -		410224.82D ▲
1.4 i	L13Z1	1.4	2008.07 -		410224.82D ▲
LEGEND I (HS, KA)					
2.5 i	C25A1, C25A2	2.5	1986.01 - 1988.06		4269.78D ▲
2.7 i 24V	C27A1	2.7	1987.10 - 1990.12		4269.78D ▲
LOGO (GA3)					
1.3	D13B7	1.3	1999.03 - 2002.03		410224.78D ▲
PRELUDE I Coupe (SN)					
1.6	EL, EL14	1.6	1978.11 - 1982.10		3119.82
PRELUDE II (AB)					
1.8 EX	ET2, ET3, ET4	1.8	1983.11 - 1987.04		3119.82

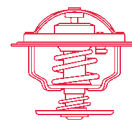


Thermostate
Thermostats
Thermostats

HONDA

	Motor Engine Moteur	Ltr. Ltr. Ltr.	Jahr Year Année	Einschränkung Restriction* Restriction*	Thermostat Thermostat Thermostat
PRELUDE IV (BB)					
2.0 i 16V	F20A4	2.0	1992.02 - 1996.09		410224.78D ▲
PRELUDE V (BB)					
2.0 16V	F20A4	2.0	1996.10 - 2000.10		410224.78D ▲
QUINTET (SU)					
1.6 EX	EL	1.6	1980.02 - 1984.12		3119.82
SHUTTLE (RA)					
2.2 16V	F22B8	2.2	1994.10 - 1998.02		410224.78D ▲
2.3 16V	F23A7	2.3	1997.10 - 2002.06		410224.78D ▲
STEPWAGON					
2.0	K20A9	2.0	2000.10 - 2005.09		410224.78D ▲
STREAM (RN)					
1.7 16V	D17A2	1.7	2001.05 -		410224.78D ▲
2.0 16V	K20A, K20A1	2.0	2001.05 -		410225.78D ▲
TORNEO					
1.6	D16B6	1.6	1999.10 - 2002.09		410224.78D ▲
1.8	F18B	1.8	1999.10 - 2002.09		410224.78D ▲
2.0	F20B	2.0	1999.10 - 2003.09		410224.78D ▲
2.0 SiR	F20B4	2.0	1999.10 - 2003.09		410224.78D ▲
2.0 VTS	F20B1	2.0	1998.01 - 2003.09		410224.78D ▲

Thermostate
Thermostats
Thermostats



HYUNDAI

	Motor Engine Moteur	Ltr. Ltr. Ltr.	Jahr Year Année	Einschränkung Restriction* Restriction*	Thermostat Thermostat Thermostat
ACCENT (X-3)					
1.3	G4EH	1.3	1994.10 - 2000.01		410351.88D ▲
1.3 i 12V	G4EH	1.3	1994.10 - 2000.01		410351.88D ▲
1.5 i 12V	G4EK	1.5	1994.10 - 2000.01		410351.88D ▲
1.5 i 16V	G4ER	1.5	1995.10 - 2000.01		410348.82D ▲
ACCENT (LC)					
1.3	G4E-A	1.3	2000.01 -		410351.88D ▲
1.5	G4EB, G4EC-G	1.5	2000.01 -		410348.82D ▲
1.6	G4ED-G	1.6	2002.12 -		410348.82D ▲
COUPE (RD)					
1.6 16V	G4GR	1.6	1998.03 - 2002.04		410348.82D ▲
1.6 i 16V	4G61	1.6	1996.12 - 2002.04		410348.82D ▲
2.0 16V	G4DF, G4GF	2.0	1996.08 - 2002.04		410348.82D ▲
COUPE (GK)					
2.0	G4GC-G	2.0	2002.03 -		410348.82D ▲
2.0 GLS	G4GC-G	2.0	2003.02 -		410348.82D ▲
ELANTRA (XD)					
1.6	G4ED-G	1.6	2000.06 -		410348.82D ▲
1.8	G4BB	1.8	2000.06 -		410348.82D ▲
2.0	G4GC, G4GC-G	2.0	2000.06 -		410348.82D ▲
GETZ (TB)					
1.3	G4E-A	1.3	2003.09 -		410351.88D ▲
1.3 i	G4E-A	1.3	2002.09 -		410351.88D ▲
1.6	G4ED-G	1.6	2002.09 -		410348.82D ▲
LANTRA I (J-1)					
1.5 i.e.	G15B, G4DJ	1.5	1990.10 - 1995.11		3119.82
1.6 i.e. 16V	G4CR	1.6	1990.10 - 1995.11		3119.82
1.8 i.e. 16V	G4CN	1.8	1990.10 - 1995.11		3119.82
LANTRA II (J-2)					
1.6 16V	4G61	1.6	1995.11 - 2000.09		410348.82D ▲
1.6 i	G4GR	1.6	1995.11 - 2000.09		410348.82D ▲
1.8 16V	G4GM	1.8	1995.11 - 2000.09		410348.82D ▲
1.9 D		1.9	1998.03 - 2000.09		4446.83D
2.0 16V	G4GF	2.0	1996.08 - 2000.09		410348.82D ▲
MATRIX (FC)					
1.6	G4ED-G	1.6	2001.06 -		410348.82D ▲
1.8	G4GB-G	1.8	2001.06 -		410348.82D ▲
PONY/EXCEL (X-2)					
1.5	G15B, G4DJ	1.5	1989.10 - 1995.01		3119.82
1.5 i	G15B, G4DJ	1.5	1989.10 - 1995.01		3119.82
SONATA II (Y-2)					
2.0 i	G4CP-U	2.0	1991.01 - 1993.10		3119.82
2.0 i 16V	G4CP-D	2.0	1991.01 - 1993.10		3119.82
STELLAR (F31_, SF2_)					
1.6	G32B	1.6	1983.10 - 1991.12		3119.82



Thermostate
Thermostats
Thermostats

HYUNDAI

Motor
Engine
Moteur

Ltr.
Ltr.
Ltr.

Jahr
Year
Année

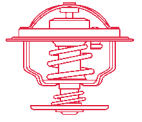
Einschränkung
Restriction*
Restriction*

Thermostat
Thermostat
Thermostat

TRAJET (FO)

2.0	G4GC-G, G4JP-G	2.0	2000.03 -		410348.82D ▲
2.0 CRDi	D4EA	2.0	2001.04 -		410348.82D ▲

Thermostate
Thermostats
Thermostats



INNOCENTI

	Motor Engine Moteur	Ltr. Ltr. Ltr.	Jahr Year Année	Einschränkung Restriction* Restriction*	Thermostat Thermostat Thermostat
MINI					
0.55	Daihatsu-EB	0.6	1987.01 - 1991.12		3119.82
0.65		0.7	1984.01 - 1995.01		3119.82
1.0	BLM C 99 H	1.0	1974.05 - 1991.10		3044.80
1.3	BLM C 12 H	1.3	1976.08 - 1982.02		3044.80
1.3 De Tomaso	BLM C 12 HH	1.3	1976.08 - 1982.02		3044.80

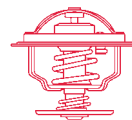


Thermostate
Thermostats
Thermostats

ISUZU

	Motor Engine Moteur	Ltr. Ltr. Ltr.	Jahr Year Année	Einschränkung Restriction* Restriction*	Thermostat Thermostat Thermostat
MIDI (94000, 98000)					
2.0	4ZC1	2.0	1988.06 -		3004.82
2.0 (94000)	4ZC1	2.0	1989.01 -		3004.82
2.0 (98000)	4ZC1	2.0	1989.01 -		3004.82
2.2 D	4FD1	2.2	1989.01 -		4022.82D
2.2 D (94000)	4FD1	2.2	1989.01 -		4022.82D
2.2 D (98000)	4FD1	2.2	1989.01 -		4022.82D
TROOPER (UBS)					
2.2 TD (UBS52)	C223T	2.2	1984.03 - 1991.12		4022.82D
2.6 i (UBS17)	4ZE1	2.6	1987.10 - 1991.12		3004.82

Thermostate
Thermostats
Thermostats



IVECO

	Motor Engine Moteur	Ltr. Ltr. Ltr.	Jahr Year Année	Einschränkung Restriction* Restriction*	Thermostat Thermostat Thermostat
DAILY I					
30- 8	8140.07.2700, 8140.07.2712, 8140.61.200, 8140.63., 8140.67F.	2.4	1978.01 - 1989.12 1989.01 - 1998.08		4151.79D 4174.79D
30-10	8140.23.	2.8	1997.01 -		4174.79D
35- 8	8140.07.2700, 8140.07.2712, 8140.61.200, 8140.63., 8140.67F.	2.4	1978.01 - 1989.12 1989.01 - 1998.08		4151.79D 4174.79D
35-10	8140.21.200, 8140.23., 8140.47R, 8140.47R.2790, 8140.97.2781	2.5	1989.01 - 1998.08 1985.01 - 1989.12	Motornummer 976562→	4174.79D 4151.79D
35-12	8140.43., 8140.47.2700	2.8	1990.01 - 1998.08		4174.79D
40- 8	8140.61.200	2.4	1983.01 - 1989.06		4151.79D
40-10	8140.23., 8140.27 S, 8140.27.2720	2.5	1985.01 - 1996.12		4174.79D
40-12	8140.43., 8140.47.2700	2.8	1990.10 - 1996.04		4174.79D
45-10	8140.21.200, 8140.27.2720	2.5	1989.01 - 1996.04 1985.01 - 1989.12	Motornummer 976562→	4174.79D 4151.79D
45-12	8140.23., 8140.27.2720, 8140.43., 8140.47.2711, 8140.47.2721	2.5	1990.06 - 1996.04		4174.79D
49-10	8140.21.200, 8140.23., 8140.27.2700, 8140.47R.2790	2.5	1989.01 - 1996.04 1985.01 - 1989.12	Motornummer 976562→	4174.79D 4151.79D
49-12	8140.43., 8140.47.2711, 8140.47.2721	2.8	1990.06 - 1996.04		4174.79D
59-12	8140.43., 8140.47.2700, 8140.47.2711	2.5	1991.05 - 1996.04		4174.79D
DAILY II					
29 L 9	8140.63.	2.8	1999.05 - 2001.11 - 2006.04		4174.79D 4174.82D
29 L 10	F1AE0481A	2.3	2002.09 -		3171.82D ▲
29 L 11	8140.43B, 8140.43C	2.8	1999.05 -		4174.82D
29 L 12	F1AE0481B	2.3	2002.09 -		3171.82D ▲
29 L 13	8140.43S	2.8	2001.05 - 2001.05 -		4174.79D 4174.82D
29 L 14	F1AE0481M	2.3	2005.01 - 2006.04		3171.82D ▲
35 - 9	8140.63.	2.8	1999.05 - 2001.11 - 2006.04		4174.79D 4174.82D
35 - 10	F1AE0481A	2.3	2002.09 -		3171.82D ▲
35 - 11	8140.43C	2.8	1999.05 -		4174.82D
35 - 12	F1AE0481B	2.3	2002.09 -		3171.82D ▲
35 - 13	8140.43S	2.8	1999.05 - 1999.05 -		4174.79D 4174.82D
35 - 14		3.0	2004.09 - 2006.04 2005.01 - 2006.04	F1C F1A	3169.79D ▲ 3171.82D ▲
35 - 15	8140.43N	2.8	2001.11 -		4174.82D
35 - 17		3.0	2005.01 - 2006.04		3169.79D ▲
40 - 13		2.8	1999.05 - 2006.04		4174.82D
40 - 14		3.0	2004.09 - 2006.04 2005.01 - 2006.04	F1C F1A	3169.79D ▲ 3171.82D ▲
40 - 15		2.8	2001.11 - 2006.04		4174.82D
40 - 17		3.0	2005.01 - 2006.04		3169.79D ▲
50 - 11	8140.43C	2.8	1999.05 -		4174.82D
50 - 13	8140.43S	2.8	1999.05 - 1999.05 -		4174.79D 4174.82D
50 - 14		3.0	2004.09 - 2006.04		3169.79D ▲
50 - 15	8140.43N	2.8	2001.01 - 2006.04		4174.82D
50 - 17		3.0	2004.09 - 2006.04		3169.79D ▲

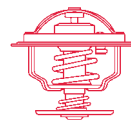


Thermostate
Thermostats
Thermostats

IVECO

	Motor Engine Moteur	Ltr. Ltr. Ltr.	Jahr Year Année	Einschränkung Restriction* Restriction*	Thermostat Thermostat Thermostat
65 - 14		3.0	2004.09 - 2006.04	F1C	3169.79D ▲
			2004.09 - 2006.04	F1A	3171.82D ▲
65 - 15	8140.43N	2.8	2001.11 - 2006.04		4174.82D
65 - 17		3.0	2004.09 - 2006.04		3169.79D ▲
DAILY III					
29 L 10	F1AE0481FA	2.3	2006.05 -		410069.82D ▲
29 L 12	F1AE0481GA	2.3	2006.05 -		410069.82D ▲
29 L 14	F1AE0481HA	2.3	2006.05 -		410069.82D ▲
35 - 10	F1AE0481FA	2.3	2006.05 -		410069.82D ▲
35 - 11		2.3	2007.07 -		410069.82D ▲
35 - 12	F1AE0481GA	2.3	2006.05 -		410069.82D ▲
35 - 13		2.3	2007.07 -		410069.82D ▲
35 - 14	F1AE0481HA	2.3	2006.05 -		410069.82D ▲
35 - 15	F1CE0481FA	3.0	2006.05 -		410081.79D ▲
35 - 18	F1CE0481HA	3.0	2006.05 -		410081.79D ▲
40 - 10	F1AE0481FA	2.3	2006.05 -		410069.82D ▲
40 - 11		2.3	2007.07 -		410069.82D ▲
40 - 12	F1AE0481GA	2.3	2006.05 -		410069.82D ▲
40 - 13		2.3	2007.07 -		410069.82D ▲
40 - 15	F1CE0481FA	3.0	2006.05 -		410081.79D ▲
40 - 18	F1CE0481HA	3.0	2006.05 -		410081.79D ▲
45 - 15	F1CE0481FA	3.0	2006.05 -		410081.79D ▲
45 - 18	F1CE0481HA	3.0	2006.05 -		410081.79D ▲
50 - 15	F1CE0481FA	3.0	2006.05 -		410081.79D ▲
50 - 18	F1CE0481HA	3.0	2006.05 -		410081.79D ▲
60 - 15	F1CE0481FA	3.0	2006.05 -		410081.79D ▲
60 - 18	F1CE0481HC	3.0	2006.05 -		410081.79D ▲
65 - 15		3.0	2006.05 -		410081.79D ▲
65 - 18	F1CE0481HC	3.0	2006.05 -		410081.79D ▲
MASSIF					
3.0 HPI		3.0	2008.10 -		3169.79D ▲
3.0 HPT		3.0	2008.10 -		3169.79D ▲

Thermostate
Thermostats
Thermostats



JAGUAR

	Motor Engine Moteur	Ltr. Ltr. Ltr.	Jahr Year Année	Einschränkung Restriction* Restriction*	Thermostat Thermostat Thermostat
E-TYPE					
4.2 (Series 1)		4.2	1966.06 - 1968.09		3004.74
4.2 (Series2)		4.2	1968.05 - 1971.05		3004.74
4.2 (Series3)		4.2	1971.03 - 1975.04		3004.74
V12 5.3 (Series3)		5.3	1971.03 - 1975.04		4022.82D
XJ					
12 5.3	V 12 (75-79)	5.3	1972.06 - 1989.09		4022.82D
12 H.E.	V 12 (82-90)	5.3	1981.09 - 1992.12		4022.82D
6 2.8		2.8	1968.09 - 1973.09		4022.82D
6 3.4	XK 3.4 (82-86)	3.4	1975.05 - 1986.10		4022.82D
6 4.2	8L (85-87), XK 4.2 (-79), XK 4.2 (82-87)	4.2	1969.10 - 1987.12		4022.82D
Sovereign V12	7P, V 12 (90-93, 197KW)	5.3	1985.07 - 1992.12		4022.82D
XJ (XJ 40, 81)					
6 2.9	AJ 6 (2.9), AJ 6 (2.9, KAT)	2.9	1986.10 - 1990.08		4078.87D
6 3.2 24V	9BPMNA	3.2	1990.09 - 1994.11		4078.87D
6 3.6	9DPANA, AJ 6 (3.6, 156KW)	3.6	1986.10 - 1989.08		4078.87D
6 4.0	9EPCNA	4.0	1989.09 - 1994.11		4078.87D
V12 6.0	8C (92-94)	6.0	1993.03 - 1994.11		4022.82D
XJS / XJSC					
3.6	9DPALA, 9DPANA, AJ 6 (3.6, 156KW), AJ 6 (3.6, 162KW)	3.6	1983.10 - 1992.05		4078.87D
4.0	9EPCNA	4.0	1991.05 - 1994.09		4078.87D
5.3	8C (88-92), 8S (92-93), V 12 (90-93, 197KW), V 12 (90-93, 211KW)	5.3	1975.09 - 1993.08		4022.82D
5.3 H.E.	8S (86-88), V 12 (82-90)	5.3	1981.07 - 1992.05		4022.82D

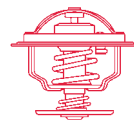


Thermostate
Thermostats
Thermostats

JEEP

	Motor Engine Moteur	Ltr. Ltr. Ltr.	Jahr Year Année	Einschränkung Restriction* Restriction*	Thermostat Thermostat Thermostat
CHEROKEE (XJ)					
2.1 D	J8S 742	2.1	1986.10 - 1992.09		4147.80D
2.1 TD	J8S	2.1	1984.10 - 1992.03		4147.80D
2.5		2.5	1995.10 -		4158.80D
2.5 i	EPE, HX	2.5	1991.12 -		3000.83
2.5 TD		2.5	1988.01 -		4158.80D
4.0 i	ERH, MX	4.0	1988.01 -		3000.83
CJ5 - CJ8					
2.1 D	J8S-800	2.1	1983.01 - 1987.12		4147.80D
GRAND CHEROKEE I (Z)					
2.5 TD	M51, M52	2.5	1995.10 - 1999.04		4158.80D
4.0 i	ERH, MX, S01	4.0	1991.09 - 1999.04		3000.83
5.2	Y01	5.2	1995.10 - 1999.04		3000.90
5.2 i	ELF, Y	5.2	1992.01 - 1999.04		3000.90
5.9 i		5.9	1997.08 - 1999.04		3000.90
GRAND CHEROKEE II (WJ, WG)					
3.1 TD		3.1	1999.04 -		4158.80D
WRANGLER I (YJ, SJ_)					
2.5	EPE	2.5	1988.01 - 1996.08		3000.83
4.0	ERH	4.0	1991.12 - 1996.08		3000.83
WRANGLER II (TJ)					
2.5	P00	2.5	1996.08 -		3000.83
4.0	S01	4.0	1996.08 -		3000.83

Thermostate
Thermostats
Thermostats



KIA

	Motor Engine Moteur	Ltr. Ltr. Ltr.	Jahr Year Année	Einschränkung Restriction* Restriction*	Thermostat Thermostat Thermostat
BESTA					
2.2 D	R2	2.2	1996.02 -		3498.88D
CARENS I (FC)					
1.8 i	T8	1.8	2000.11 - 2002.07		410352.88D ▲
CARENS II (FJ)					
1.6		1.6	2002.07 -		410352.88D ▲
1.8		1.8	2002.07 -		410352.88D ▲
CLARUS (K9A, GC)					
1.8 i 16V	T8	1.8	1996.07 -		410352.88D ▲
2.0 i 16V	FE (16 V)	2.0	1996.07 -		3498.88D
PRIDE					
1.1 i	B1	1.1	1991.01 -		410352.82D ▲
1.3		1.3	1999.08 -		410352.82D ▲
1.3 16V	B3	1.3	1990.01 -		410352.82D ▲
1.3 i		1.3	1990.01 -		410352.82D ▲
RETONA (CE)					
2.0 16V	FE (16 V)	2.0	2000.05 -		3498.88D
2.0 TD	RF	2.0	1999.06 -		3468.88D
RIO (DC_)					
1.3		1.3	2000.08 - 2005.02		410352.88D ▲
SEPHIA (FA)					
1.5 i	B5	1.5	1996.02 - 1997.10		410352.82D ▲
1.6 i	B6	1.6	1993.09 -		410352.82D ▲
1.8 i 16V	OK24N, OK26Y	1.8	1995.01 - 1995.01 -		410352.82D ▲ 410352.88D ▲
SHUMA (FB)					
1.5	OK280	1.5	1996.03 - 1998.12		410352.88D ▲
1.5 i 16V		1.5	1997.10 - 2001.10		410352.88D ▲
1.6		1.6	2001.05 - 2004.08		410352.88D ▲
1.8	T8	1.8	2003.04 - 2004.08		410352.88D ▲
1.8 i 16V	T8	1.8	1997.10 - 2001.03		410352.88D ▲
SPORTAGE (K00)					
2.0		2.0	2000.10 - 2003.08		3498.88D
2.0 i	FE	2.0	1994.04 - 1999.08		3498.88D
2.0 i 16V	FE (16 V)	2.0	1994.04 - 2003.08		3498.88D
2.0 TD	RF	2.0	1997.10 - 2003.08		3468.88D

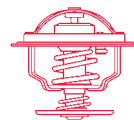


Thermostate
Thermostats
Thermostats

LADA

	Motor Engine Moteur	Ltr. Ltr. Ltr.	Jahr Year Année	Einschränkung Restriction* Restriction*	Thermostat Thermostat Thermostat
1200 / 1300 / 1500 / 1600					
1200	BA3 2101	1.2	1970.01 - 1986.06		3336.83
1300	BA3 21011, BA3 2105	1.3	1974.08 - 1987.01		3336.83
1500	BA3 2103	1.4	1972.09 - 1986.10		3336.83
1600	BA3 2106	1.6	1972.09 - 1986.10		3336.83
NIVA (2121)					
1600	BA3 2121	1.6	1976.12 - 1995.03		3338.80
1700 i	BA3 21214	1.7	1996.06 -		3336.83
1900 Diesel	XUD9A, XUD9SD	1.9	1993.01 -		4446.83D
NOVA					
1200	BA3 2101	1.2	1981.09 -		3336.83
1300	BA3 2105	1.3	1981.05 - 1990.12		3336.83
1500	BA3 2103, BA3 2103 (KAT), BA3 21083	1.5	1989.06 - 1985.03 - 1993.02	BA3 21083 BA3 2103	3333.87 3336.83
1600	BA3 2106	1.6	1988.01 -		3336.83
1700		1.7	1994.08 -		3336.83
1700 i		1.7	1996.06 -		3336.83
SAMARA (2108, 2109)					
1100	BA3 21081, BA3 21081 (KAT)	1.1	1988.02 - 1994.12		3333.87
1300	BA3 2108, BA3 2108 (KAT), BA3 21115	1.3	1986.01 - 1994.12		3333.87
1500	BA3 21083, BA3 21083 (KAT), BA3 2111	1.5	1988.01 -		3333.87
SAMARA FORMA					
1100	BA3 21081 (KAT)	1.1	1991.07 -		3333.87
1300	BA3 2108	1.3	1989.05 - 1997.07		3333.87
1500	BA3 21083, BA3 21083 (KAT), BA3 2111	1.5	1991.07 -		3333.87
TOSCANA					
1300	BA3 2105	1.3	1985.12 -		3336.83
1500	BA3 2103	1.4	1983.09 - 1993.02		3336.83

Thermostate
Thermostats
Thermostats



LANCIA

	Motor Engine Moteur	Ltr. Ltr. Ltr.	Jahr Year Année	Einschränkung Restriction* Restriction*	Thermostat Thermostat Thermostat
A 112					
0.9 Junior	A112 A.000, A112 A5.000, A112 B2.000	0.9	1981.03 - 1986.06		3022.87D
1.0 Abarth	A112 A2.000	1.0	1978.03 - 1984.02		3022.87D
1.0 LX	A112 B1.000	1.0	1984.03 - 1986.12		3022.87D
BETA (828)					
1300	828 D3.000	1.4	1981.12 - 1984.12		3352.80
1600	828 B.000	1.6	1973.08 - 1984.12		3352.80
2000	828 B1.000	2.0	1976.04 - 1986.10		3352.80
2000 i.e.	828 B4.000	2.0	1981.05 - 1984.12		3352.80
2000 Volumex		2.0	1983.07 - 1984.09		3352.80
2000 VX		2.0	1983.07 - 1984.12		3352.80
DEDRA (835)					
1.6 16V	182 A4.000	1.6	1996.01 - 1999.07		3163.88D
1.6 i.e.	835 A1.000, 835 A1.046, 835 C1.000	1.6	1989.08 - 1999.07 1989.08 - 1994.06		3109.82D 3109.87D
1.8 i.e.	836 A5.000	1.8	1994.07 - 1999.07		3159.82D
2.0 HF Integrale	835 A7.046	2.0	1990.11 - 1993.07	Motornummer →1517343	3159.82D
2.0 i.e.	835 A5.000, 835 A5.046	2.0	1989.09 - 1993.09 1993.09 - 1999.07		3159.82D 410956.83D ▲
2.0 i.e. Turbo	835 A8.046	2.0	1991.04 - 1993.07	Motornummer →1517343	3159.82D
2.0 i.e. Turbo Integrale	835 A7.000	2.0	1990.05 - 1993.07	Motornummer →1517343	3159.82D
2.0 Turbo	835 A8.000	2.0	1990.11 - 1993.07	Motornummer →1517343	3159.82D
DELTA I (831AB0)					
1.6 GT i.e.	149 C2.000, 831 B7.000	1.6	1986.08 - 1992.08		4022.82D1
1.6 HF Turbo	831 B3.000, 831 B7.046	1.6	1986.08 - 1989.03		3159.82D
1.9 Turbo DS	831 D1.000	1.9	1986.10 - 1989.12		3431.80D
2.0 HF Integrale	831 B5.000, 831 C5.000, 831 C5.046	2.0	1986.11 - 1992.12		3159.82D
DELTA II (836)					
1.4 i.e. (836AF, 836AH)	160 A1.046, 836 A4.000	1.4	1994.10 - 1999.08		3109.87D
1.6 i.e. (836AD)	835 C1.000	1.6	1993.06 - 1999.08		3109.87D
1.6 i.e. (836AP)	182 A6.000	1.6	1996.03 - 1999.08	Motornummer 010785→	3163.88D
1.6 i.e. 16V (836AO)	182 A4.000	1.6	1996.01 - 1999.08	Motornummer 010785→	3163.88D
1.8 i.e. (836AE)	835 C2.000	1.8	1993.06 - 1999.08		3159.82D
1.8 i.e. (836AG, 836AL)	835 C4.000, 836 A6.000, 836 C4.000	1.8	1994.07 - 1999.08		3159.82D
KAPPA (838)					
2.0 20V	838 A1.000, 838 A6.000	2.0	1994.10 - 2001.10		410513.88D ▲
2.4 20V	838 A2.000, 838 A2.027	2.4	1994.08 - 2001.10		410513.88D ▲
LYBRA (839)					
1.6 16V	182 A4.000	1.6	1999.07 -		3163.88D
1.8 16V	839 A4.000, 839 A7.000, 839 A9.000	1.8	1999.07 -		410514.88D ▲
1.9 JTD (839AXD1A, 839BXD1A)	AR 32302	1.9	1999.07 - 2000.09		410512.88D ▲
2.0 20V (839AXC11, 839AXC1A)	182 B7.000	2.0	1999.07 - 2000.09		410513.88D ▲



Thermostate
Thermostats
Thermostats

LANCIA

Motor
Engine
Moteur

Ltr.
Ltr.
Ltr.

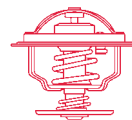
Jahr
Year
Année

Einschränkung
Restriction*
Restriction*

Thermostat
Thermostat
Thermostat

2.0 20V (839AXH1A, 839BXH1A)	185 A8.000	2.0	2000.09 -		410994.88D ▲
2.0 20V (839BXC11, 839BXC1A)	182 B7.000	2.0	1999.07 - 2000.09		410513.88D ▲
2.4 JTD (839AXE1A)	839 A5.000, AR 32501	2.4	1999.07 - 2000.09		410512.88D ▲
2.4 JTD (839BXE1A)	839 A5.000, AR 32501	2.4	1999.10 - 2000.09		410512.88D ▲
MUSA					
1.3 D Multijet	199 A3.000	1.3	2006.09 -		410048.88D ▲
1.4	350 A1.000, 843 A 1.000	1.4	2004.10 - 2005.09 -	843. A1.000 350 A1.000	3151.87D 410090.88D ▲
PHEDRA (179)					
2.0 (179AXA11)	RFN(EW10J4)	2.0	2002.09 -		3483.89D
2.0 JTD	RHM	2.0	2003.07 -		4446.83D
2.0 JTD (179AXB1A)	RHW(DW10ATED4)	2.0	2002.09 -		4446.83D
2.2 JTD (179AXC1A)	4HW(DW12ATED4)	2.2	2002.09 -		4446.83D
PRISMA (831AB0)					
2.0 i.e.	831 B4.000	2.0	1986.04 - 1989.12		4022.82D1
THEMA (834)					
2000 i.e. (834B)	834 B.000	2.0	1984.11 - 1988.09		4022.82D1
2500 Turbo D (834D)	8144.91	2.4	1984.11 - 1988.09		4151.79D
2500 Turbo DS (834AE)	8144.97	2.5	1988.10 - 1992.05 1988.06 - 1988.09		3103.79 4151.79D
2500 Turbo DS (834AM)	8144. 97S	2.5	1988.05 - 1992.07		3103.79
2500 Turbo DS (834D)	8144.91	2.4	1988.10 - 1990.09 1987.03 - 1988.09		3103.79 4151.79D
2500 Turbo DS (834FE, 834LE)	8144.97 Y	2.5	1992.05 - 1994.07		3116.82D
2850 V6 i.e. (834AD, 834CD, 834BD)	834 E.146	2.8	1988.06 - 1992.05		4122.87D
2850 V6 i.e. (834F)	834 E.000	2.8	1984.11 - 1988.09		4122.87D
THESIS (841AX)					
2.0 Turbo (841AXA1B03)	841 E.000	2.0	2002.07 -		410994.88D ▲
2.4 (841AXB1B00)	841 D.000	2.4	2002.07 -		410994.88D ▲
2.4 JTD (841AXD1B02)	841 C.000	2.4	2002.07 -		410511.88D ▲
TREVI (828DB)					
2000 i.e.	828 B4.000	2.0	1980.05 - 1987.01		3352.80
2000 Volumex (828DB17)	828 B7.000	2.0	1983.08 - 1985.05		3352.80
Y (840A)					
1.1	176 B2.000	1.1	1995.11 - 2003.09		3105.87D
1.2	188 A4.000, 840 A3.000	1.2	1996.03 - 2003.09		3105.87D
1.2 16V	176 B9.000, 188 A5.000	1.2	1997.04 - 2003.09 2000.10 - 2003.09	176 B9.000 188 A5.000	3105.87D 3151.87D
1.4 12V	840 A2.000, 840 A4.000	1.4	1996.03 - 2003.09		410515.88D ▲
Y10 (156)					
1.0 Fire	156 A 2.000, 156 A 2.100, 156 A.000, 156 A2.246	1.0	1985.03 - 1992.02 1985.03 - 1989.07	156 A 2.100, 156 A 2.246, 156 A 2.000, 156 A2.000 156 A.000	3105.87D 4091.82D ▲
1.0 Turbo	156 A 1.000	1.0	1985.03 - 1989.02		4091.82D ▲
1.1 Avenue	176 B2.000	1.1	1995.01 - 1995.12		3105.87D
1.1 i.e	156 C.000	1.1	1989.08 - 1992.06		3105.87D
1.1 i.e. Fire	156 C.046	1.1	1989.07 - 1995.12		3105.87D

Thermostate
Thermostats
Thermostats



LANCIA

	Motor Engine Moteur	Ltr. Ltr. Ltr.	Jahr Year Année	Einschränkung Restriction* Restriction*	Thermostat Thermostat Thermostat
1.3 i.e. Fire	146 A 5.046, 156 B.000	1.3	1987.11 - 1995.12	Motornummer →3143798	3378.80 •
			1987.11 - 1995.12	Motornummer 3143798→	3373.80D
YPSILON					
1.2	188 A4.000, 188 A5.000	1.2	2003.10 - 2003.10 -	188 A4.000 188 A5.000	3105.87D 3151.87D
1.4	350 A1.000	1.4	2006.02 -		410090.88D ▲
1.4 16V	843 A 1.000	1.4	2003.10 -		3151.87D
ZETA (220)					
2.0 16V (220AL5)	RFV	2.0	1998.05 - 2000.07		4450.83D
2.0 16V (220AQ5)	RFN	2.0	2000.07 - 2002.09		3463.89D
2.0 JTD	RHZ	2.0	2000.04 - 2002.09		4446.83D
2.0 JTD (220AN5)	RHW	2.0	1999.09 - 2002.09		4446.83D
2.0 Turbo (220AD5, 220CD5)	RGX	2.0	1995.05 - 2002.09		3136.82D50
2.1 TD (220AJ5)	P 8 C	2.1	1996.05 - 1999.09		4446.83D

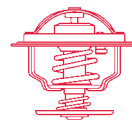


Thermostate
Thermostats
Thermostats

LAND ROVER

	Motor Engine Moteur	Ltr. Ltr. Ltr.	Jahr Year Année	Einschränkung Restriction* Restriction*	Thermostat Thermostat Thermostat
88/109					
2.3 (LR 88 OL, LR 109 OL)		2.3	1963.09 - 1986.12		3004.82
2.3 (LR 88 OP, LR 109 OP)		2.3	1963.09 - 1986.12		3004.82
2.3 D (LR 88 DL, LR 109 DL)		2.3	1963.09 - 1986.12		3004.82
2.3 D (LR 88 DP, LR 109 DP)		2.3	1963.09 - 1986.12		3004.82
DEFENDER (LD)					
2.5 90 TDI	11 L, 16 L, 23 L	2.5	1990.09 -		3004.82
2.5 90,110 TDI	11 L, 16 L, 23 L	2.5	1990.09 - 1998.12		3004.82
DISCOVERY I (LJ, LG)					
2.5 TDI	12 L, 17 L, 19 L, 21 L	2.5	1989.10 - 1998.10		3004.82

Thermostate
Thermostats
Thermostats



LEXUS

	Motor Engine Moteur	Ltr. Ltr. Ltr.	Jahr Year Année	Einschränkung Restriction* Restriction*	Thermostat Thermostat Thermostat
ES (F1, F2)					
300	3VZ-FE	3.0	1991.09 - 1997.12		4480.82D
ES (VZV_)					
3.0	1MZ-FE	3.0	1996.10 - 2001.07		4480.82D
GS (JZS147)					
300	2JZ-GE	3.0	1993.03 - 1997.08		410231.82D ▲
GS (JZS160)					
300	2JZ-GE	3.0	2000.10 - 2005.03		410231.82D ▲
300 T3	2JZ-GE	3.0	1997.08 - 2000.10		410231.82D ▲
400	1UZ-FE	4.0	1997.12 - 2000.11		4480.82D
IS I (GXE10)					
300	2JZ-GE	3.0	2001.09 -		410231.82D ▲
IS II (_XE2_)					
220 d	2AD-FHV	2.2	2005.10 -		4480.82D
IS SportCross					
300	2JZ-GE	3.0	2001.10 -		410231.82D ▲
LS (UCF10)					
400	1UZ-FE	4.0	1989.12 - 1994.12		4480.82D
LS (UCF20)					
400	1UZ-FE	4.0	1994.12 - 1997.08		4480.82D
RX (MCU_)					
300	1MZ-FE	3.0	2003.05 -		4480.82D
400 h	3MZ-FE	3.3	2004.09 -		4480.82D
RX (XU1)					
300 V6	1MZ-FE	3.0	2000.10 - 2003.05		4480.82D



Thermostate
Thermostats
Thermostats

LIGIER

Motor
Engine
Moteur

Ltr.
Ltr.
Ltr.

Jahr
Year
Année

Einschränkung
Restriction*
Restriction*

Thermostat
Thermostat
Thermostat

NOVA

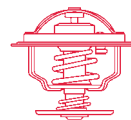
500

0.5

2002.08 -

4007.80D

Thermostate
Thermostats
Thermostats



MAZDA

	Motor Engine Moteur	Ltr. Ltr. Ltr.	Jahr Year Année	Einschränkung Restriction* Restriction*	Thermostat Thermostat Thermostat
2					
1.25	FUJA	1.2	2003.04 -		4483.82D
1.3	ZJ-VE	1.3	2007.10 -		4639.82D
1.4	FXJA	1.4	2003.04 -		4483.82D
1.6	FYJA	1.6	2003.04 -		4483.82D
3					
1.4		1.4	2003.10 -		4639.82D
1.6	B6ZE, Z6	1.6	2003.10 -		4639.82D
5 (CR19)					
2.0 CD	RF7J	2.0	2005.06 -		4639.82D
6 (GG, GY)					
2.0 DI	RF5C	2.0	2002.06 -		4639.82D
121 I (DA)					
1.1	B1, B116	1.1	1987.10 - 1990.10		3119.82D3
1.3	B3	1.3	1987.10 - 1990.11		3119.82D3
121 II (DB)					
1.3 16V	B3 (16V)	1.3	1990.11 - 1996.03		3119.82D3
1.3 i 16V	B3 (16V)	1.3	1990.11 - 1996.03		3119.82D3
121 III (JASM, JBSM)					
1.25	DHF, DHG	1.2	1996.03 - 1996.03 -	Motornummer →001201 Motornummer 001201→	4457.82D 4483.82D
1.3	J4R, J4T, JJK, JJM	1.3	1996.03 -		3004.92D1
1.8 D	RTJ, RTK	1.8	1996.03 -		4270.88D
323 I (FA)					
1.0	P, PC	1.0	1977.06 - 1980.05		3119.82D3
1.3	T, TC	1.3	1977.01 - 1986.05		3119.82D3
1.4	U, UC	1.4	1978.05 - 1982.08		3119.82D3
1.5	D5	1.5	1982.04 - 1986.05		3119.82D3
323 II (BD)					
1.1	E1	1.1	1980.11 - 1985.10		3119.82D3
1.3	E3	1.3	1980.11 - 1989.10		3119.82D3
1.5	E5	1.5	1980.11 - 1986.09		3119.82D3
323 III (BF, BW)					
1.1	E1	1.1	1985.08 - 1990.04		3119.82D3
1.3	E3	1.3	1985.08 - 1990.04		3119.82D3
1.3 i		1.3	1985.09 - 1989.08		3119.82D3
1.4	B3	1.4	1987.04 - 1989.10		3119.82D3
1.5	B5, B50, B53, E5	1.5	1985.08 - 1989.10		3119.82D3
1.5 i	E5E3	1.5	1985.08 - 1989.05		3119.82D3
1.5 i Turbo	E5E2	1.5	1985.08 - 1989.05		3119.82D3
1.6	B65M, B68, B6E	1.6	1986.09 - 1995.10		3119.82D3
1.6 GT	B6	1.6	1985.08 - 1989.10		3119.82D3
1.6 GT Turbo	B6	1.6	1985.10 - 1991.11		3119.82D3
323 IV (BG)					
1.3	B383, B3E	1.3	1989.09 - 1994.07		3499.82D
1.3 16V	B3 (16V)	1.3	1989.09 - 1994.07		3499.82D

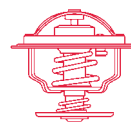


Thermostate
Thermostats
Thermostats

MAZDA

	Motor Engine Moteur	Ltr. Ltr. Ltr.	Jahr Year Année	Einschränkung Restriction* Restriction*	Thermostat Thermostat Thermostat
1.6	B6E	1.6	1989.09 - 1991.06		3499.82D
1.6 16V	B6	1.6	1989.08 - 1994.10		3499.82D
1.8		1.8	1991.01 - 1994.04		3499.82D
1.8 16V	BP, BP52	1.8	1989.08 - 1994.07		3499.82D
1.8 16V GT	BP (DOHC)	1.8	1989.06 - 1994.07		3499.82D
1.8 16V Turbo	BP Turbo	1.8	1990.09 - 1994.07		3498.88D
323 V (BA)					
1.3 16V	B3 (16V)	1.3	1995.08 - 1998.09 1994.08 - 1995.08		3498.88D 3499.82D
1.5 16V	Z5-DE	1.5	1995.08 - 1998.09 1994.07 - 1995.08		3498.88D 3499.82D
1.8 16V	BP-ZE	1.8	1994.08 - 1998.09		3498.88D
2.0 24V	KF	2.0	1994.08 - 1998.09		4639.82D
2.0 D	RF1G	2.0	1996.10 - 1998.09		4639.82D
323 VI (BJ)					
1.4	B3 (16V)	1.4	2001.01 - 2004.05		3498.88D
1.4 16V	B3 ME	1.4	1998.09 - 2001.01		3498.88D
1.5 16V		1.5	1998.09 - 2001.01		3498.88D
1.6	ZM	1.6	2001.01 - 2004.05		3498.88D
1.9 16V		1.9	1998.09 - 2004.05		4639.82D
2.0	FS7E, FS7G	2.0	2000.02 - 2004.05		4639.82D
2.0 D	RF1G	2.0	1998.09 - 2004.05		4639.82D
2.0 DiTD	RF4F	2.0	2000.10 - 2002.10		4639.82D
2.0 TD	RF3F, RF4F	2.0	1998.09 - 2004.05		4639.82D
626 I (CB)					
1.6	H6, N, NA	1.6	1979.05 - 1982.05		3119.88D3
2.0	HE3, M, MA	2.0	1979.05 - 1982.05		3119.88D3
626 II (GC)					
1.6	F6	1.6	1982.11 - 1987.09		3119.88D3
2.0	FE	2.0	1983.03 - 1987.09		3119.88D3
626 III (GD, GV)					
1.6	F6	1.6	1987.06 - 1992.05		3119.88D3
1.8	F8	1.8	1987.09 - 1992.05		3119.88D3
2.0	FE	2.0	1987.09 - 1997.09	OHC	3119.88D3
2.0 12V	FE (12V)	2.0	1987.09 - 1992.05	OHC	3119.88D3
2.0 16V	FE Kat. (16V)	2.0	1987.06 - 1992.05		3119.88D3
2.0 D	RF5	2.0	1994.11 - 1997.09		3468.88D
2.0 D Complex	RF-CX	2.0	1993.05 - 1996.11		3468.88D
2.2 12V	F2, F2L1	2.2	1987.11 - 1996.11		3498.88D
626 IV (GE)					
1.8	FP	1.8	1991.08 - 1997.04		4639.82D
1.8 i	FP	1.8	1992.01 - 1997.04		4639.82D
2.0 D GLX Complex	RF OHC	2.0	1992.10 - 1997.04		3468.88D
2.0 i	FS	2.0	1991.08 - 1997.04		4639.82D
2.5 24V	KL	2.5	1992.01 - 1997.04		4639.82D
626 V (GF, GW)					
1.8	FP, FP9A	1.8	1997.05 - 2002.10		4639.82D
2.0	FS, FS2C	2.0	1997.05 - 2002.10		4639.82D
2.0 H.P.	FS2C	2.0	1998.02 - 2002.10		4639.82D
2.0 TD		2.0	2000.10 - 2002.10		4639.82D
2.0 Turbo DI	RF4F	2.0	1998.04 - 2002.10		4639.82D

Thermostate
Thermostats
Thermostats



MAZDA

	Motor Engine Moteur	Ltr. Ltr. Ltr.	Jahr Year Année	Einschränkung Restriction* Restriction*	Thermostat Thermostat Thermostat
929 I (LA)					
2.0	M, MA	2.0	1979.05 - 1986.07		3119.88D3
929 II (HB, HV)					
2.0	FE, HEE, MA	2.0	1982.05 - 1987.12		3119.88D3
2.0 i GLX	FE	2.0	1984.10 - 1987.07		3119.88D3
2.0 i Turbo	FE	2.0	1984.10 - 1987.07		3119.88D3
929 III (HC)					
2.0	FE, FEFA	2.0	1987.06 - 1988.12		3119.88D3
2.2 12V	F2, F2-C, F21, F2E	2.2	1988.01 - 1991.06		3119.88D3
2.2 i	F2-EGI	2.2	1987.05 - 1988.12		3119.88D3
3.0	JE, JE3	3.0	1987.06 - 1991.06		3119.88D3
B-SERIE					
1.6	NA	1.6	1977.02 - 1978.09		3119.82D3
1.8	H816, H817	1.8	1977.02 - 1985.08		3119.82D3
2.0	FE, UA	2.0	1983.01 - 1984.12 1985.01 - 1996.03		3119.82D3 3499.88D
2.2	F2L8	2.2	1991.08 - 1996.12		3499.88D
2.2 D	R290	2.2	1985.01 - 1996.03		3468.88D
2.5 D	MD25NA, WLE7	2.5	1996.02 - 1999.06		4639.82D
2.5 TD	MD25TI	2.5	1999.06 -		4639.82D
BT-50 (CD)					
2.5 MRZ-CD	WLAA	2.5	2006.12 -		4639.82D
DEMIO (DW)					
1.3 16V	B3 ME	1.3	1998.08 -		3499.88D
1.3 i 16V	B3 (16V)	1.3	1998.08 - 2000.04		3499.88D
1.5 16V	B5 E	1.5	2000.04 -		3499.88D
E 1600, 2000					
2200 D	R203, R207	2.2	1991.03 - 2003.05		3468.88D
E1600		1.6	1980.08 - 1984.06		3119.82D3
E2000	FE, FE18, FE58, FE60, FE61, FEBN, FEV4	2.0	1984.11 - 1989.09 1989.10 - 2003.05		3119.88D3 3499.88D
E2200 D	R2, R203, R207	2.2	1984.01 - 2003.05		3468.88D
MPV I (LV)					
2.5 TD		2.5	1996.05 - 1999.09		4639.82D
3.0 i V6	JE94	3.0	1995.03 - 1999.09	Schaltgetriebe	4639.82D
MPV II (LW)					
2.0	FS, FS-DS	2.0	1999.09 - 2002.07		4639.82D
2.0 DI	RF5C	2.0	2002.07 -		4639.82D
MX-3 (EC)					
1.6 i	B69, B6D	1.6	1991.07 -		3498.88D
1.8 i V6	K819, K838	1.8	1992.01 - 1994.01		4639.82D
MX-5 I (NA)					
1.6	B64F	1.6	1990.05 - 1998.04		3498.88D
1.8	BPF1	1.8	1993.09 - 1998.04		3498.88D
MX-5 II (NB)					
1.6 16V	B6D	1.6	1998.05 - 2005.10		3498.88D
1.8		1.8	1998.01 - 2002.07		3498.88D

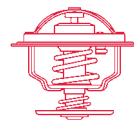


Thermostate
Thermostats
Thermostats

MAZDA

	Motor Engine Moteur	Ltr. Ltr. Ltr.	Jahr Year Année	Einschränkung Restriction* Restriction*	Thermostat Thermostat Thermostat
1.8 16V	BP-ZE, BPD	1.8	1998.05 - 2005.10		3498.88D
MX-6 (GE)					
2.0	FS	2.0	1992.02 -		4639.82D
2.5 24V	KL	2.5	1992.02 -		3119.82D3
2.5 i 24V	KL	2.5	1994.08 -		4639.82D
PREMACY (CP)					
1.8	FP	1.8	1999.07 -		4639.82D
1.9	FP	1.9	1999.07 -		4639.82D
2.0	FS7E, FS7G, LFF7	2.0	2001.11 -		4639.82D
2.0 TD	RF3F, RF4F	2.0	1999.10 - 2000.07		4639.82D
2.3 SVT		2.3	2005.02 -		4639.82D
TRIBUTE (EP)					
2.0	YF	2.0	2000.03 -		4270.88D
XEDOS 6					
1.6 16V	B6, B69	1.6	1992.08 - 1994.05		3498.88D
2.0 24V	KF	2.0	1993.08 - 2000.01		4639.82D
2.0 V6	KF1	2.0	1992.01 - 1994.05		4639.82D
2.3 24V	KJ -ZEM	2.3	1995.02 - 2000.01		4639.82D
2.5 24V	KL	2.5	1993.07 - 2000.07		4639.82D
2.5 V6	KL	2.5	2000.07 -		4639.82D

Thermostate
Thermostats
Thermostats



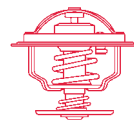
MERCEDES BENZ	Motor Engine Moteur	Ltr. Ltr. Ltr.	Jahr Year Année	Einschränkung Restriction* Restriction*	Thermostat Thermostat Thermostat
114 Serie /8 (W114)					
230.6	M 180.954	2.3	1968.01 - 1976.11		4078.79D
250	M 114.920	2.5	1968.01 - 1972.08		4078.79D
250 2.8	M 130.923	2.7	1972.06 - 1976.11		4078.79D
250 C	M 114.920	2.5	1969.04 - 1972.06		4078.79D
250 C 2.8	M 130.923	2.7	1972.06 - 1976.11		4078.79D
250 CE	M 114.980	2.5	1969.04 - 1972.04		4078.79D
280	M 110.921	2.7	1972.06 - 1976.11		4078.79D
280 C	M 110.921	2.7	1972.06 - 1977.02		4078.79D
280 CE	M 110.981	2.7	1972.06 - 1977.01		4078.79D
280 E	M 110.981	2.7	1972.06 - 1976.11		4078.79D
115 Serie /8 (W115)					
200	M 115.923, M 115.926	2.0	1968.01 - 1977.01		4078.79D
200 D	OM 615.913	2.0	1968.01 - 1977.01		4049.80D1
220	M 115.920, M 115.924	2.2	1968.01 - 1973.07		4078.79D
220 D	OM 615.912	2.2	1968.01 - 1977.01		4049.80D1
230.4	M 115.951	2.3	1973.08 - 1976.12		4078.79D
240 D	OM 616.916	2.4	1973.08 - 1977.01		4117.80D
240 D 3.0	OM 617.910	3.0	1974.08 - 1976.11		4049.80D1
123 Serie					
200	M 102.920, M 102.939, M 115.938, M 115.939	2.0	1976.02 - 1985.11		4078.87D
200 D	OM 615.940	2.0	1976.07 - 1985.11	Motornummer →142197 Schaltgetriebe →004748 Automatikgetriebe	4117.80D
			1976.07 - 1985.11	Motornummer 142198→ Schaltgetriebe 004749→ Automatikgetriebe	4049.80D1
200 T	M 102.920, M 102.939	2.0	1980.11 - 1985.11		4078.87D
220 D	OM 615.941	2.2	1976.01 - 1979.03	Motornummer →142197 Schaltgetriebe →004748 Automatikgetriebe	4117.80D
			1976.01 - 1979.03	Motornummer 142198→ Schaltgetriebe 004749→ Automatikgetriebe	4049.80D1
230	M 115.954	2.3	1976.02 - 1981.03		4078.87D
230 C	M 115.954	2.3	1977.05 - 1980.04		4078.87D
230 CE	M 102.980	2.3	1980.04 - 1985.12		4078.87D
230 E	M 102.980	2.3	1980.04 - 1985.12		4078.87D
230 T	M 115.954	2.3	1977.09 - 1980.03		4078.87D
230 TE	M 102.980	2.3	1980.04 - 1985.11		4078.87D



Thermostate
Thermostats
Thermostat

MERCEDES BENZ	Motor Engine Moteur	Ltr. Ltr. Ltr.	Jahr Year Année	Einschränkung Restriction* Restriction*	Thermostat Thermostat Thermostat
240 D	OM 616.912	2.4	1976.02 - 1985.11	Motornummer →086378 Schaltgetriebe →027798 Automatikgetriebe	4117.80D
			1976.02 - 1985.11	Motornummer 086379→ Schaltgetriebe 027799→ Automatikgetriebe	4049.80D1
240 T D	OM 616.912	2.4	1977.09 - 1985.12	Motornummer →086378 Schaltgetriebe →027798 Automatikgetriebe	4117.80D
			1977.09 - 1985.12	Motornummer 086379→ Schaltgetriebe 027799→ Automatikgetriebe	4049.80D1
250	M 123.921	2.5	1976.02 - 1985.07		4078.87D
250 T	M 123.921	2.5	1978.05 - 1982.08		4078.87D
280	M 110.923	2.7	1976.02 - 1981.08		4078.87D
280 C	M 110.923	2.7	1977.03 - 1980.03		4078.87D
280 CE	M 110.988	2.7	1977.03 - 1985.11		4078.87D
280 E	M 110.984, M 110.988	2.7	1976.02 - 1985.11		4078.87D
280 TE	M 110.988	2.7	1977.09 - 1985.11		4078.87D
300 C Turbo-D	OM 617.952	2.9	1981.09 - 1985.07		4049.80D1
300 D	OM 617.912	2.9	1976.02 - 1985.11	Motornummer →073575 Schaltgetriebe →067785 Automatikgetriebe	4117.80D
			1976.02 - 1985.11	Motornummer 073576→ Schaltgetriebe 067786→ Automatikgetriebe	4049.80D1
300 T D	OM 617.912	2.9	1977.09 - 1985.11	Motornummer →073575 Schaltgetriebe →067785 Automatikgetriebe	4117.80D
			1977.09 - 1985.11	Motornummer 073576→ Schaltgetriebe 067786→ Automatikgetriebe	4049.80D1
300 T Turbo-D	OM 617.952	2.9	1980.10 - 1985.11		4049.80D1
300 Turbo-D	OM 617.952	2.9	1981.08 - 1985.07		4049.80D1
124 Serie					
200	M 102.922	2.0	1985.12 - 1990.05		4078.87D
200 D	OM 601.912	2.0	1984.12 - 1993.06		4176.85D
200 E	M 102.922, M 102.963, M 111.940	2.0	1988.09 - 1993.05 1992.10 - 1993.06	M 102 M 111	4078.87D 4275.87D
200 T	M 102.922	2.0	1985.09 - 1990.05		4078.87D
200 T D	OM 601.912	2.0	1985.09 - 1991.08		4176.85D

Thermostate
Thermostats
Thermostats



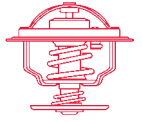
MERCEDES BENZ	Motor Engine Moteur	Ltr. Ltr. Ltr.	Jahr Year Année	Einschränkung Restriction* Restriction*	Thermostat Thermostat Thermostat
200 TE	M 102.962, M 102.963, M 111.940	2.0	1988.09 - 1992.08 1992.10 - 1993.06	M 102 M 111	4078.87D 4275.87D
220 CE	M 111.960	2.2	1992.10 - 1993.05		4275.87D
220 E	M 111.960	2.2	1992.10 - 1993.06		4275.87D
220 TE	M 111.960	2.2	1992.10 - 1993.05		4275.87D
230 CE	M 102.982	2.3	1987.03 - 1992.12		4078.87D
230 E	M 102.982	2.3	1984.12 - 1993.06		4078.87D
230 TE	M 102.982	2.3	1985.09 - 1992.08		4078.87D
250 D	OM 602.912	2.5	1985.04 - 1993.06		4176.85D
250 T D	OM 602.912	2.5	1985.09 - 1993.06		4176.85D
250 TD Turbo	OM 602.962, OM 605.911	2.5	1988.03 - 1993.07 1992.06 - 1993.05		4176.80D 4176.85D
250 Turbo-D	OM 602.962	2.5	1988.09 - 1993.06		4176.80D
260 E	M 103.940, M 103.943	2.6	1985.09 - 1992.08		4078.87D
260 TE	M 103.940	2.6	1985.09 - 1992.08		4078.87D
280 E	M 104.942	2.8	1992.10 - 1993.06		4078.87D
280 TE	M 104.942	2.8	1992.10 - 1993.06		4078.87D
300 CE	M 103.983	3.0	1987.03 - 1993.05		4078.87D
300 CE-24	M 104.980	3.0	1989.09 - 1993.06		4078.87D
300 D	OM 603.912, OM 603.913	3.0	1984.12 - 1993.06		4176.85D
300 E	M 103.980, M 103.983, M 103.985	3.0	1985.01 - 1993.06		4078.87D
300 E-24	M 104.980	3.0	1988.09 - 1992.08		4078.87D
300 T D	OM 603.912	3.0	1986.09 - 1993.06		4176.85D
300 T Turbo-D	OM 603.960, OM 603.963	3.0	1986.09 - 1993.06		4176.80D
300 TD T	OM 603.960	3.0	1992.06 - 1993.05		4176.85D
300 TE	M 103.983, M 103.985, M 104.980	3.0	1986.01 - 1993.06		4078.87D
300 Turbo-D	OM 603.960, OM 603.963	3.0	1986.09 - 1993.06		4176.80D
320 CE	M 104.992	3.2	1992.10 - 1993.05		4078.87D
320 E	M 104.992	3.2	1992.10 - 1993.06		4078.87D
320 TE	M 104.992	3.2	1992.10 - 1993.06		4078.87D
400 E 4.2	M 119.975	4.2	1992.10 - 1993.06 1992.10 - 1993.06	Motornummer →020770 Motornummer 020771→	4137.80D 4278.80D
500 E	M 119.974	5.0	1991.01 - 1993.06 1991.01 - 1993.06	Motornummer →010204 Motornummer 010205→	4137.80D 4278.80D
190 (201)					
2.0	M 102.921, M 102.924	2.0	1982.10 - 1990.05		4078.87D
2.3	M 102.985	2.3	1987.09 - 1988.09		4078.87D
2.3 E	M 102.985	2.3	1982.10 - 1988.09		4078.87D
2.6	M 103.942	2.6	1982.10 - 1988.09		4078.87D
D 2.0	OM 601.911	2.0	1983.08 - 1993.08		4176.85D
D 2.5	OM 602.911	2.5	1985.04 - 1993.08		4176.85D
E 1.8	M 102.910	1.8	1990.04 - 1993.08		4078.87D
E 2.0	M 102.961, M 102.962	2.0	1982.10 - 1993.08		4078.87D
E 2.3	M 102.985	2.3	1986.09 - 1993.08		4078.87D
E 2.3-16	M 102.983	2.3	1984.04 - 1988.08		4078.87D
E 2.5-16	M 102.990, M 102.991	2.5	1988.09 - 1993.08		4078.87D
E 2.6	M 103.942	2.6	1986.09 - 1993.08		4078.87D
E Evolution II 2.5	M 102.992	2.5	1990.05 - 1993.08		4078.87D
Turbo-D 2.5	OM 602.961	2.5	1988.02 - 1993.08		4176.80D
C-Klasse (202)					
C 180	M 111.920, M 111.921	1.8	1993.03 - 2000.05 1993.03 - 2000.05	mit Klimaanlage ohne Klimaanlage	4275.87D 4276.87D



Thermostate
Thermostats
Thermostat

MERCEDES BENZ	Motor Engine Moteur	Ltr. Ltr. Ltr.	Jahr Year Année	Einschränkung Restriction* Restriction*	Thermostat Thermostat Thermostat
C 180 T	M 111.920, M 111.921, M 111.952	1.8	1996.06 - 2001.03 1996.06 - 2001.03	mit Klimaanlage ohne Klimaanlage	4275.87D 4276.87D
C 200	M 111.941, M 111.945	2.0	1994.01 - 2000.05 1994.01 - 2000.05	mit Klimaanlage ohne Klimaanlage	4275.87D 4276.87D
C 200 D	OM 601.913, OM 604.915	2.0	1993.03 - 2000.05 1996.10 - 2000.05	ohne Gehäuse mit Gehäuse	4176.85D 4280.85D
C 200 Kompressor	M 111.944	2.0	1995.10 - 2000.05		4275.87D
C 200 T	M 111.941, M 111.945	2.0	1996.06 - 2001.03 1996.06 - 2001.03	mit Klimaanlage ohne Klimaanlage	4275.87D 4276.87D
C 200 T D	OM 604.915	2.0	1996.10 - 2001.03 1996.10 - 2001.03	ohne Gehäuse mit Gehäuse	4176.85D 4280.85D
C 200 T Kompressor	M 111.944, M 111.956	2.0	1996.11 - 2001.03		4275.87D
C 220	M 111.961	2.2	1993.03 - 2000.05 1993.03 - 2000.05	mit Klimaanlage ohne Klimaanlage	4275.87D 4276.87D
C 220 D	OM 604.910	2.2	1993.08 - 2000.05 1993.08 - 2000.05	ohne Gehäuse mit Gehäuse	4176.85D 4280.85D
C 220 T D	OM 604.910	2.2	1996.06 - 2001.03 1996.06 - 2001.03	ohne Gehäuse mit Gehäuse	4176.85D 4280.85D
C 230	M 111.974	2.3	1996.06 - 1997.06 1996.06 - 1997.06	mit Klimaanlage ohne Klimaanlage	4275.87D 4276.87D
C 230 Kompressor	M 111.975	2.3	1995.10 - 2000.05		4275.87D
C 230 T	M 111.974	2.3	1996.06 - 1998.06 1996.06 - 1998.06	mit Klimaanlage ohne Klimaanlage	4275.87D 4276.87D
C 230 T Kompressor	M 111.975	2.3	1997.06 - 2000.09		4275.87D
C 240	M 112.910	2.4	1997.06 - 2000.05		4281.87D
C 240 T	M 112.910, M 112.915	2.4	1997.06 - 2001.03		4281.87D
C 250 D	OM 605.910	2.5	1993.05 - 2000.05		4176.85D
C 250 T Turbo-D	OM 605.960	2.5	1996.06 - 2001.03 1996.06 - 2001.03	ohne Gehäuse mit Gehäuse	4176.80D 4280.80D
C 250 Turbo-D	OM 605.960	2.5	1995.10 - 2000.05 1995.10 - 2000.05	ohne Gehäuse mit Gehäuse	4176.80D 4280.80D
C 280	M 104.941, M 112.920	2.8	1993.05 - 2000.05 1997.06 - 2000.05	M 104 M 112	4078.87D 4281.87D
C 280 T	M 112.920	2.8	1997.06 - 2001.03	M 112	4281.87D
C 36 AMG	M 104.941 (AMG 3.6)	3.6	1994.05 - 2000.05		4078.87D
C 43 AMG	M 113.944	4.3	1997.08 - 2001.03		4281.87D
C-Klasse (203)					
C 160 Kompressor	M 271.921	1.8	2002.05 -		3457.90D
C 180	M 111.951	2.0	2000.10 - 2002.05 2000.10 - 2002.05	Motornummer →32199683 Motornummer 32199684→	4286.87D 4414.87D ▲
C 180 Kompressor	M 271.946	1.8	2002.05 -		3457.90D
C 200 CDI	OM 646.962	2.2	2001.02 -		410174.92D ▲
C 200 CGI Kompressor	M 271.942	1.8	2003.03 -		3457.90D
C 200 Kompressor	M 111.955, M 271.940	1.8	2002.05 - 2000.05 - 2002.05 2000.05 - 2002.05	M 271.940 M 111.955 Motornummer →32199736 M 111.955 Motornummer 32199737→	3457.90D 4286.87D 4414.87D ▲
C 220 CDI	OM 646.963	2.2	2004.02 -		410174.92D ▲
C 230	M 272.920	2.5	2005.03 -	Motornummer 30058377→	4834.100D ▲

Thermostate
Thermostats
Thermostats



MERCEDES BENZ	Motor Engine Moteur	Ltr. Ltr. Ltr.	Jahr Year Année	Einschränkung Restriction* Restriction*	Thermostat Thermostat Thermostat
C 230 Kompressor	M 111.981, M 271.948	1.8	2002.05 - 2001.03 - 2002.05	M 271.948 M 111 Motornummer →32200307	3457.90D 4286.87D
			2001.03 - 2002.05	M 111 Motornummer 32200308→	4414.87D ▲
C 240	M 112.912, M 112.916	2.6	2000.05 -		4281.87D
C 280	M 272.940, M 272.941	3.0	2005.03 -	Motornummer 30058377→	4834.100D ▲
C 32 AMG Kompressor	M 112.961	3.2	2001.02 -		4298.87D
C 320	M 112.946, M 112.953	3.2	2000.05 -		4281.87D
C 320 CDI	OM 642.910	3.0	2005.01 -		4490.87D ▲
C 350	M 272.960, M 272.970	3.5	2005.03 -	Motornummer 30058377→	4834.100D ▲
C 55 AMG	M 113.988	5.4	2004.02 -		4281.87D
C-Klasse (204)					
C 180 Kompressor	M 271.952	1.8	2007.01 -		3457.90D
C 180 Kompressor (204.246)	M 271.952	1.8	2007.08 -		3457.90D
C 200 CDI	OM 646.811, OM 646.812	2.1	2007.01 -		410174.92D ▲
C 200 Kompressor	M 271.950	1.8	2007.01 -		3457.90D
C 220 CDI	OM 646.811	2.1	2007.01 -		410174.92D ▲
C 230	M 272.911, M 272.921	2.5	2007.01 -		4834.100D ▲
C 280	M 272.947, M 272.948	3.0	2007.01 -		4834.100D ▲
C 300	M 272.947, M 272.948	3.0	2007.07 -		4834.100D ▲
C 320 CDI	OM 642.960, OM 642.961	3.0	2007.01 - 2007.01 -	thermisch Kennfeldthermostat	4490.87D ▲ 4835.87D ▲
C 350	M 272.961, M 272.971	3.5	2007.01 -		4834.100D ▲
CLC-Klasse					
CLC 180 Kompressor	M 271.946	1.8	2008.05 -		3457.90D
CLC 200 CDI	OM 646.962	2.1	2008.05 -		410174.92D ▲
CLC 200 Kompressor	M 271.955	1.8	2008.05 -		3457.90D
CLC 220 CDI	OM 646.963	2.1	2008.05 -		410174.92D ▲
CLK (208)					
200	M 111.941, M 111.945	2.0	1997.06 - 2002.06 1997.06 - 2002.06	mit Klimaanlage ohne Klimaanlage	4275.87D 4276.87D
200 Kompressor	M 111.944, M 111.956	2.0	1997.06 - 2002.06		4275.87D
230 Kompressor	M 111.973, M 111.975, M 111.982	2.3	1997.06 - 2002.06		4275.87D
320	M 112.940	3.2	1997.06 - 2002.06		4281.87D
430	M 113.943	4.3	1998.07 - 2002.06		4281.87D
55 AMG	M 113.981, M 113.984	5.4	1999.08 - 2002.06		4281.87D
CLK (209)					
200 CGI	M 271.942	1.8	2003.07 -		3457.90D
200 Kompressor	M 271.940, M 271.955	1.8	2002.09 -		3457.90D
220 CDI	OM 646.966	2.2	2005.01 -		410174.92D ▲
240	M 112.912	2.6	2002.06 -		4281.87D
280	M 272.940	3.0	2005.03 -	Motornummer 30058377→	4834.100D ▲
320	M 112.955	3.2	2002.06 -		4281.87D
320 CDI	OM 642.910	3.0	2005.01 -		4835.87D ▲
350	M 272.960	3.5	2005.03 -	Motornummer 30058377→	4834.100D ▲
500	M 113.968, M 273.965	5.0	2002.06 - 2006.06 -	M 113 M 273	4281.87D 4833.100D ▲
55 AMG	M 113.987	5.5	2002.09 -		4281.87D

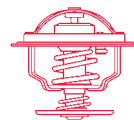


Thermostate
Thermostats
Thermostats

MERCEDES BENZ

	Motor Engine Moteur	Ltr. Ltr. Ltr.	Jahr Year Année	Einschränkung Restriction* Restriction*	Thermostat Thermostat Thermostat
CLS (C219)					
320 CDI	OM 642.910, OM 642.920	3.0	2005.01 - 2005.01 -	thermisch Kennfeldthermostat	4490.87D ▲ 4835.87D ▲
350	M 272.964	3.5	2005.03 -	Motornummer 30000484→	4834.100D ▲
350 CDI	OM 642.920	3.0	2009.04 - 2009.04 -	thermisch Kennfeldthermostat	4490.87D ▲ 4835.87D ▲
500	M 113.967	5.0	2004.10 -		4281.87D
E-Klasse (124)					
E 200	M 111.940	2.0	1993.06 - 1998.03		4275.87D
E 200 D	OM 601.912	2.0	1993.06 - 1995.06		4176.80D
E 200 T	M 111.940	2.0	1993.06 - 1996.06		4275.87D
E 220	M 111.960	2.2	1993.06 - 1998.03		4275.87D
E 220 T	M 111.960	2.2	1993.06 - 1996.06		4275.87D
E 250 D	OM 605.911	2.5	1993.07 - 1995.06		4176.85D
E 250 T D	OM 605.911	2.5	1993.06 - 1996.06		4176.85D
E 250 Turbo D	OM 602.962	2.5	1993.06 - 1996.06		4176.80D
E 280	M 104.942	2.8	1993.06 - 1995.06		4078.87D
E 280 long (124.029)	M 104.942	2.8	1993.06 - 1995.06		4078.87D
E 280 T	M 104.942	2.8	1993.06 - 1996.06		4078.87D
E 300	M 103.985	3.0	1993.06 - 1995.06		4078.87D
E 300 D	OM 606.910	3.0	1993.07 - 1995.06		4176.80D
E 300 T	M 103.985	3.0	1993.06 - 1996.06		4078.87D
E 300 T D	OM 606.910	3.0	1993.06 - 1996.06		4176.85D
E 300 T Turbo-D	OM 603.960, OM 603.963	3.0	1993.06 - 1996.06		4176.80D
E 300 TE-24	M 104.980	3.0	1993.06 - 1996.06		4078.87D
E 300 Turbo-D	OM 603.960, OM 603.963	3.0	1993.06 - 1995.06 1993.06 - 1995.06		4176.80D 4176.85D
E 320	M 104.992, M 104.995	3.2	1993.06 - 1998.03		4078.87D
E 320 T	M 104.992	3.2	1993.06 - 1996.06		4078.87D
E 36 AMG	M 104.992 (AMG 3.6)	3.6	1993.06 - 1998.03		4078.87D
E 36 T AMG	M 104.992 (AMG 3.6)	3.6	1994.05 - 1996.06		4078.87D
E 420	M 119.975	4.2	1993.06 - 1995.06 1993.06 - 1995.06	Motornummer →020770 Motornummer 020771→	4137.80D 4278.80D
E 500	M 119.974	5.0	1993.06 - 1995.06 1993.06 - 1995.06	Motornummer →010204 Motornummer 010205→	4137.80D 4278.80D
E-KLASSE (207)					
E 500	M 273.966	5.5	2009.01 -		4833.100D ▲
E-Klasse (210)					
E 200	M 111.942	2.0	1995.06 - 2000.08		4276.87D
E 200 CDI	OM 611.961	2.2	1999.07 - 2002.03		4287.92D ▲
E 200 D	OM 604.917	2.0	1996.01 - 2002.03 1996.01 - 2002.03	ohne Gehäuse mit Gehäuse	4176.85D 4280.85D
E 200 Kompressor	M 111.947, M 111.957	2.0	1997.06 - 2002.03		4275.87D
E 200 T	M 111.942	2.0	1996.06 - 2000.08		4276.87D
E 200 T Kompressor	M 111.947, M 111.957	2.0	1997.06 - 2003.03		4275.87D
E 220 CDI	OM 611.961	2.2	1999.07 - 2002.03		4287.92D ▲
E 220 D	OM 604.912	2.2	1995.06 - 2002.03 1995.06 - 2002.03	ohne Gehäuse mit Gehäuse	4176.85D 4280.85D
E 220 T CDI	OM 611.961	2.2	1999.07 - 2003.03		4287.92D ▲
E 230	M 111.970	2.3	1995.06 - 1997.06		4276.87D

Thermostate
Thermostats
Thermostats



MERCEDES BENZ	Motor Engine Moteur	Ltr. Ltr. Ltr.	Jahr Year Année	Einschränkung Restriction* Restriction*	Thermostat Thermostat Thermostat
E 230 T	M 111.970	2.3	1996.06 - 1997.06		4276.87D
E 240	M 112.911, M 112.914	2.4	1997.06 - 2002.03		4281.87D
E 240 T	M 112.911, M 112.914	2.4	1997.06 - 2003.03		4281.87D
E 250 D	OM 605.912	2.5	1995.06 - 1999.07		4176.85D
E 250 T D	OM 605.912	2.5	1996.06 - 1999.07		4176.85D
E 250 T Turbo-D	OM 605.962	2.5	1997.06 - 1999.07 1997.06 - 1999.07	ohne Gehäuse mit Gehäuse	4176.80D 4280.80D
E 250 Turbo-D	OM 605.962	2.5	1997.06 - 1999.07 1997.06 - 1999.07	ohne Gehäuse mit Gehäuse	4176.80D 4280.80D
E 270 CDI	OM 612.961	2.7	1999.07 - 2002.03		4287.92D ▲
E 270 T CDI	OM 612.961	2.7	1999.07 - 2003.03		4287.92D ▲
E 280	M 104.945, M 112.921	2.8	1996.01 - 1997.06 1996.12 - 2002.03	M 104 M 112	4078.87D 4281.87D
E 280 T	M 112.921	2.8	1996.12 - 2003.03		4281.87D
E 290 T Turbo-D	OM 602.982	2.9	1996.06 - 1999.07 1996.06 - 1999.07	ohne Gehäuse mit Gehäuse	4176.85D 4280.85D
E 290 Turbo-D	OM 602.982	2.9	1996.03 - 1999.07 1996.03 - 1999.07	ohne Gehäuse mit Gehäuse	4176.85D 4280.85D
E 300 D	OM 606.912	3.0	1995.06 - 1997.06		4176.85D
E 300 T Turbo-D	OM 606.962	3.0	1996.12 - 1999.07 1996.12 - 1999.07	ohne Gehäuse mit Gehäuse	4176.80D 4280.80D
E 300 Turbo-D	OM 606.962	3.0	1996.12 - 1999.07 1996.12 - 1999.07	ohne Gehäuse mit Gehäuse	4176.80D 4280.80D
E 320	M 104.995, M 112.941	3.2	1995.06 - 1997.06 1997.06 - 2002.03	M 104 M 112	4078.87D 4281.87D
E 320 T	M 112.941	3.2	1996.12 - 2003.03		4281.87D
E 420	M 119.985	4.2	1996.01 - 1997.06		4278.80D
E 420 T	M 119.985	4.2	1996.06 - 1997.06		4278.80D
E 430	M 113.940	4.3	1997.06 - 2002.03		4281.87D
E 430 T	M 113.940	4.3	1997.06 - 2003.03		4281.87D
E 50 AMG	M 119.985 (AMG 5.0)	5.0	1996.02 - 1997.08		4278.80D
E 55 AMG	M 113.980	5.4	1997.08 - 2002.03		4281.87D
E 55 T AMG	M 113.980	5.4	1997.08 - 2003.03		4281.87D
E-Klasse (211)					
E 200 CDI	OM 646.820, OM 646.821, OM 646.951	2.1	2002.07 -		410174.92D ▲
E 200 CGI	M 271.946	1.8	2002.11 -		3457.90D
E 200 Kompressor	M 271.941, M 271.956	1.8	2002.11 -		3457.90D
E 200 NGT	M 271.941	1.8	2004.03 -		3457.90D
E 200 T Kompressor	M 271.941	1.8	2003.03 -		3457.90D
E 220 CDI	OM 646.821, OM 646.961	2.1	2002.03 -		410174.92D ▲
E 220 T CDI	OM 646.821, OM 646.961	2.1	2003.03 -		410174.92D ▲
E 240	M 112.913, M 112.917	2.6	2002.03 -		4281.87D
E 240 T	M 112.913, M 112.917	2.6	2003.03 -		4281.87D
E 270 CDI	OM 647.961	2.7	2002.03 -		410174.92D ▲
E 270 T CDI	OM 647.961	2.7	2003.03 -		410174.92D ▲
E 280	M 272.943	3.0	2005.03 -		4834.100D ▲
E 280 CDI	OM 642.920, OM 642.921, OM 648.961	3.2	2004.05 - 2005.03 - 2005.03 -	OM 648 OM 642 thermisch OM 642 Kennfeldthermostat	410174.92D ▲ 4490.87D ▲ 4835.87D ▲
E 280 T	M 272.943	3.0	2005.03 -		4834.100D ▲

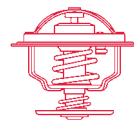


Thermostate
Thermostats
Thermostats

MERCEDES BENZ

	Motor Engine Moteur	Ltr. Ltr. Ltr.	Jahr Year Année	Einschränkung Restriction* Restriction*	Thermostat Thermostat Thermostat
E 280 T CDI	OM 642.920, OM 642.921, OM 648.961	3.2	2004.05 - 2005.03 - 2005.03 -	OM 648 OM 642 thermisch OM 642 Kennfeldthermostat elektrisch	410174.92D ▲ 4490.87D ▲ 4835.87D ▲
E 300 BLUETEC	OM 642.920	3.0	2007.09 -		4835.87D ▲
E 320	M 112.949, M 112.954	3.2	2002.03 -		4281.87D
E 320 CDI	OM 642.910, OM 642.920, OM 648.961	3.2	2002.11 - 2005.03 - 2005.03 -	OM 648 OM 642 thermisch OM 642 Kennfeldthermostat	410174.92D ▲ 4490.87D ▲ 4835.87D ▲
E 320 T	M 112.949, M 112.954	3.2	2003.03 -		4281.87D
E 320 T CDI	OM 642.920, OM 648.961	3.2	2003.03 - 2005.03 - 2005.03 -	OM 648 OM 642 thermisch OM 642 Kennfeldthermostat	410174.92D ▲ 4490.87D ▲ 4835.87D ▲
E 350	M 272.964, M 272.972	3.5	2005.03 -		4834.100D ▲
E 350 T	M 272.964, M 272.972	3.5	2005.03 -		4834.100D ▲
E 400 CDI	OM 628.961	4.0	2003.02 -		4309.92D ▲
E 500	M 113.967, M 113.969	5.0	2002.03 -		4281.87D
E 500 T	M 113.967, M 113.969	5.0	2003.10 -		4281.87D
E-Klasse (212)					
E 350 BlueTEC	OM 642.850	3.0	2009.01 -		4490.87D ▲
E 350 CDI	OM 642.850, OM 642.856	3.0	2009.01 -		4490.87D ▲
E 500	M 273.970, M 273.971	5.5	2009.01 -		4833.100D ▲
G-Klasse (460)					
230 G	M 115.973	2.3	1979.03 - 1993.07		4078.87D
230 GE	M 102.979, M 102.981, M 102.987	2.3	1982.04 - 1992.08		4078.87D
240 GD	OM 616.936	2.4	1979.03 - 1987.08		4117.80D
250 GD	OM 602.930	2.5	1987.10 - 1992.12		4176.85D
280 GE	M 110.994	2.7	1979.11 - 1989.08		4078.87D
300 GD	OM 603.912, OM 617.931	3.0	1979.12 - 1991.12 1979.03 - 1993.07	OM 617 OM 603	4049.80D 4176.85D
G-Klasse (461)					
230 GE	M 102.979, M 102.996, M 102.997	2.3	1993.02 -		4078.87D
250 GD	OM 602.939	2.5	1990.02 -		4176.85D
290 GD / G 290 D	OM 602.942	2.9	1992.04 -		4176.85D
G 290 TD	OM 602.983	2.9	1997.07 -		4176.85D
G-Klasse (463)					
230 GE	M 102.989	2.3	1990.06 - 1993.06		4078.87D
250 GD	OM 602.931	2.5	1990.06 -		4176.85D
300 GD	OM 603.931	3.0	1989.09 - 1997.09		4176.85D
300 GE	M 103.987	3.0	1989.09 - 1997.09		4078.87D
320 GE	M 104.996	3.2	1994.09 - 1997.11		4078.87D
350 G Turbo-D	OM 603.972	3.4	1991.09 - 1997.09		4176.80D
G 300 TD	OM 606.964	3.0	1996.08 - 1996.08 -	ohne Gehäuse mit Gehäuse	4176.80D 4280.80D
G 320	M 104.996, M 112.945	3.2	1994.09 - 1997.12 1997.07 -	M 104 M 112	4078.87D 4281.87D
G 320 CDI	OM 642.970	3.0	2006.09 -		4490.87D ▲
G 400 CDI	OM 628.962	4.0	2000.12 -		4309.92D ▲

Thermostate
Thermostats
Thermostats



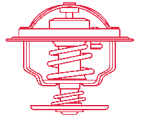
MERCEDES BENZ	Motor Engine Moteur	Ltr. Ltr. Ltr.	Jahr Year Année	Einschränkung Restriction* Restriction*	Thermostat Thermostat Thermostat
G 500	M 113.962, M 273.963	5.0	1998.04 - 2009.12 -	M 113 M 273	4281.87D 4833.100D ▲
G 500 E	M 117.965	4.9	1993.09 -		4137.80D
G 55 AMG	M 113.982, M 113.993	5.4	1999.04 -		4281.87D
GLK-Klasse (X204)					
280	M 272.948	3.0	2008.06 - 2009.06		4834.100D ▲
300	M 272.948	3.0	2009.07 -		4834.100D ▲
320 CDI	OM 642.961	3.0	2008.06 - 2008.06 -	thermisch Kennfeldthermostat	4490.87D ▲ 4835.87D ▲
GL-Klasse (X164)					
GL 320 CDI	OM 642.940	3.0	2006.09 - 2009.05		4490.87D ▲
GL 350 CDI	OM 642.940	3.0	2009.05 -		4490.87D ▲
GL 350 CDI BlueTEC	OM 642.820	3.0	2009.12 -	Japan/USA	4490.87D ▲
GL 450	M 273.923	4.7	2006.09 -		4833.100D ▲
GL 500	M 273.963	5.5	2006.09 -		4833.100D ▲
MB 100 (631)					
D	OM 616, OM 616.963	2.4	1988.02 - 1996.02		4049.80D1
M-Klasse (163)					
ML 230	M 111.977	2.3	1998.02 - 2005.06		4275.87D
ML 320	M 112.942	3.2	1998.02 - 2002.08		4281.87D
ML 350	M 112.970	3.7	2002.08 - 2005.06		4281.87D
ML 400 CDI	OM 628.963	4.0	2001.09 - 2005.06		4309.92D ▲
ML 430	M 113.942	4.3	1998.02 - 2005.06		4281.87D
ML 500	M 113.964, M 113.965	5.0	2001.09 - 2005.06		4281.87D
ML 55 AMG	M 113.981	5.4	2000.02 - 2005.06		4281.87D
M-Klasse (164)					
ML 280 CDI	OM 642.940	3.0	2005.07 - 2009.07		4490.87D ▲
ML 300 CDI	OM 642.940	3.0	2009.07 -		4490.87D ▲
ML 320 CDI	OM 642.940	3.0	2005.07 - 2009.07		4490.87D ▲
ML 350	M 272.962, M 272.967	3.5	2005.07 -		4834.100D ▲
ML 350 CDI	OM 642.940	3.0	2009.07 -		4490.87D ▲
ML 500	M 113.964	5.0	2005.07 -		4281.87D
Pullmann (100)					
600	M 100.980, M 100.982	6.3	1964.09 - 1979.01		4078.79D
R-Klasse (251)					
R 280	M 272.945	3.0	2007.01 -		4834.100D ▲
R 280 CDI	OM 642.950	3.0	2006.05 -		4490.87D ▲
R 300	M 272.945	3.0	2009.07 -		4834.100D ▲
R 300 CDI	OM 642.950	3.0	2009.07 -		4490.87D ▲
R 320 CDI	OM 642.950	3.0	2006.01 -		4490.87D ▲
R 350	M 272.967	3.5	2006.01 -		4834.100D ▲
R 350 BlueTEC	OM 642.950	3.0	2009.07 -		4490.87D ▲
R 350 CDI	OM 642.950	3.0	2009.07 -		4490.87D ▲
R 500	M 113.971, M 273.963	5.0	2006.01 - 2007.01 -	M 113 M 273	4281.87D 4833.100D ▲
S-Klasse (108/109)					
250 S	M 108.920	2.5	1966.01 - 1969.12		4078.87D
250 SE	M 129.980	2.5	1966.01 - 1967.12		4078.87D
280 S	M 130.920	2.7	1967.10 - 1972.07		4078.87D
280 SE,SEL	M 130.980	2.7	1968.01 - 1972.08		4078.87D
280 SE,SEL 3.5	M 116.980	3.5	1971.03 - 1972.08		4078.87D



Thermostate
Thermostats
Thermostats

MERCEDES BENZ	Motor Engine Moteur	Ltr. Ltr. Ltr.	Jahr Year Année	Einschränkung Restriction* Restriction*	Thermostat Thermostat Thermostat
300 SEL	M 130.981	2.7	1968.01 - 1972.08		4078.87D
300 SEL 3.5	M 116.981	3.5	1970.01 - 1972.07		4064.75D
300 SEL 6.3	M 100.981	6.3	1968.03 - 1972.08		4078.79D
S-Klasse (116)					
280 S	M 110.922	2.7	1972.08 - 1980.07		4078.87D
280 SE,SEL	M 110.983, M 110.985	2.7	1972.08 - 1980.07		4078.87D
350 SE,SEL	M 116.983, M 116.985	3.5	1972.08 - 1980.03		4064.75D
450 SE,SEL	M 117.983, M 117.985, M 117.986	4.5	1973.01 - 1980.04		4064.75D
450 SEL 6.9	M 100.985	6.8	1975.07 - 1980.03		4078.87D
S-Klasse (126)					
260 SE	M 103.941	2.5	1985.09 - 1991.06		4078.87D
280 S	M 110.924, M 110.926	2.7	1979.12 - 1985.07		4078.87D
280 SE,SEL	M 110.987, M 110.989	2.7	1979.10 - 1985.07		4078.87D
3,8	M 116.960	3.8	1980.08 - 1984.08		4064.75D
300 SE,SEL	M 103.981	3.0	1985.09 - 1991.06		4078.87D
380 SE,SEL	M 116.961, M 116.963	3.8	1979.12 - 1981.08 1985.12 - 1986.12 1981.09 - 1985.08		4064.75D 4137.80D 4233.84D
380 SEC	M 116.963	3.8	1981.10 - 1985.07		4233.84D
420 SE,SEL	M 116.965	4.1	1985.10 - 1991.06		4137.80D
420 SEC	M 116.965	4.1	1985.10 - 1991.06		4137.80D
500 SE,SEL	M 117.961, M 117.963, M 117.965	4.9	1979.12 - 1981.08 1985.09 - 1991.06 1981.09 - 1985.08	M 117.961/963 M 117.965 M 117.961/963	4064.75D 4137.80D 4233.84D
500 SEC	M 117.963, M 117.965	4.9	1985.09 - 1991.06 1981.10 - 1985.08	M 117.965 M 117.963	4137.80D 4233.84D
560 SE,SEL	M 117.968	5.5	1985.10 - 1991.06		4137.80D
560 SEC	M 117.968	5.5	1985.10 - 1991.06		4137.80D
S-Klasse (140)					
3,2	M 104.990	3.2	1995.10 - 1998.08		4078.87D
300 SE 2.8	M 104.944	2.8	1993.01 - 1998.10		4078.87D
300 SE,SEL / S 320	M 104.990, M 104.994	3.2	1991.03 - 1998.10		4078.87D
400 SE,SEL / S 420	M 119.971	4.2	1991.02 - 1998.10 1991.02 - 1998.10	Motornummer →056885 Motornummer 026751→	4137.80D 4278.80D
500 SE,SEL	M 119.970	5.0	1991.02 - 1998.10 1991.02 - 1998.10	Motornummer →056885 Motornummer 056886→	4137.80D 4278.80D
600 SE,SEL	M 120.980, M 120.982	6.0	1991.04 - 1992.12		4517.87D
S 280	M 104.944	2.8	1993.02 - 1998.10		4078.87D
S 300 Turbo-D	OM 606.961	3.0	1996.05 - 1998.10 1996.05 - 1998.10	ohne Gehäuse mit Gehäuse	4176.80D 4280.80D
S 350 Turbo-D	OM 603.971	3.4	1993.01 - 1998.10 1993.01 - 1998.10	ohne Gehäuse mit Gehäuse	4176.80D 4280.80D
S 420	M 119.971	4.2	1993.01 - 1998.10 1993.01 - 1998.10	Motornummer →056885 Motornummer 026751→	4137.80D 4278.80D

Thermostate
Thermostats
Thermostats



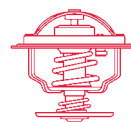
MERCEDES BENZ	Motor Engine Moteur	Ltr. Ltr. Ltr.	Jahr Year Année	Einschränkung Restriction* Restriction*	Thermostat Thermostat Thermostat
S 500	M 119.970, M 119.980	5.0	1993.01 - 1998.10	M 119.970 Motornummer →056885	4137.80D
			1993.01 - 1998.10	M 119.970, M 119.980 Motornummer 056886→	4278.80D
S 600	M 120.980, M 120.982	6.0	1993.01 - 1998.10		4517.87D
SEC/CL 420	M 119.971, M 119.981	4.2	1994.10 - 1999.02	M 119.971 Motornummer →026750	4137.80D
			1994.10 - 1999.02	M 119.971, M 119.981 Motornummer 026751→	4278.80D
SEC/CL 500	M 119.970	5.0	1992.10 - 1999.02	Motornummer →056885	4137.80D
			1992.10 - 1999.02	Motornummer 056886→	4278.80D
SEC/CL 600	M 120.980, M 120.982	6.0	1992.09 - 1999.02		4517.87D
S-Klasse (215)					
CL 500	M 113.960	5.0	1999.03 - 2006.03		4281.87D
CL 55 AMG	M 113.986	5.4	1999.10 - 2006.03		4281.87D
S-Klasse (220)					
S 280	M 112.922	2.8	1998.10 - 2005.08		4281.87D
S 320	M 112.944	3.2	1998.10 - 2005.08		4281.87D
S 320 CDI	OM 613.960, OM 648.960	3.2	2002.09 - 2005.08	OM 648	410174.92D ▲
			1999.08 - 2002.09	OM 613	4287.92D ▲
S 350	M 112.972, M 112.975	3.7	2002.09 - 2005.08		4281.87D
S 400 CDI	OM 628.960	4.0	2000.06 - 2005.08		4309.92D ▲
S 430	M 113.941, M 113.948	4.3	1998.10 - 2005.08		4281.87D
S 500	M 113.960, M 113.966	5.0	1998.10 - 2005.08		4281.87D
S 55 AMG	M 113.986	5.5	1999.04 - 2005.08		4281.87D
S-Klasse (W221)					
S 320 CDI	OM 642.930	3.0	2005.12 -		4835.87D ▲
S 350	M 272.965	3.5	2005.10 -		4834.100D ▲
S 400 Hybrid	M 272.974	3.5	2009.01 -		4834.100D ▲
S 450	M 273.922, M 273.923	4.7	2005.12 -		4833.100D ▲
S 500	M 273.961	5.5	2005.10 -		4833.100D ▲
S-Klasse Coupe (C216)					
CL 500	M 273.961, M 273.968	5.5	2006.06 -		4833.100D ▲
SL (107)					
280 SL	M 110.982, M 110.986, M 110.990	2.7	1974.08 - 1985.07		4078.87D
280 SLC	M 110.982, M 110.986, M 110.990	2.7	1974.08 - 1981.09		4078.87D
300 SL	M 103.982	2.9	1985.09 - 1989.08		4078.87D
350 SL	M 116.982, M 116.984	3.5	1971.05 - 1980.02		4064.75D
350 SLC	M 116.982, M 116.984	3.5	1972.01 - 1980.02		4064.75D
380 SL	M 116.960, M 116.962	3.8	1980.09 - 1985.08		4064.75D
380 SLC	M 116.960	3.8	1980.07 - 1981.08		4064.75D
420 SL	M 116.964	4.1	1986.01 - 1989.08		4137.80D
450 SL	M 117.982, M 117.985	4.5	1972.10 - 1980.10		4064.75D
450 SLC	M 117.982, M 117.985	4.5	1973.01 - 1979.08		4064.75D
450 SLC 5.0	M 117.960	4.9	1978.06 - 1980.02		4278.80D
500 SL	M 117.960, M 117.964	4.9	1980.05 - 1989.08		4278.80D



Thermostate
Thermostats
Thermostats

MERCEDES BENZ	Motor Engine Moteur	Ltr. Ltr. Ltr.	Jahr Year Année	Einschränkung Restriction* Restriction*	Thermostat Thermostat Thermostat
SL (129)					
280	M 104.943, M 112.923, M 112.925	2.8	1993.08 - 2001.10 1998.05 - 2001.10	M 104 M 112	4078.87D 4281.87D
300 SL	M 103.984	3.0	1989.03 - 1993.08		4078.87D
300 SL-24	M 104.981	3.0	1989.03 - 1993.07		4078.87D
320	M 104.991, M 112.943	3.2	1993.09 - 2001.10 1998.05 - 2001.10	M 104 M 112	4078.87D 4281.87D
500	M 113.961, M 119.972, M 119.982	5.0	1998.05 - 2001.10 1992.09 - 2001.10 1992.09 - 2001.10	M 113.961 M 119.972 Motornummer →056885 M 119.972 Motornummer 013778→	4281.87D 4137.80D 4278.80D
500 SL	M 119.960, M 119.972	5.0	1989.09 - 1992.08 1989.09 - 1992.08 1989.09 - 1992.08	M 119.960, M 119.972 Motornummer →013777 M 119.972 Motornummer 013778→	4137.80D 4137.80D 4278.80D
55 AMG	M 113.985	5.5	2000.03 - 2001.10		4281.87D
60 AMG	M 122.981	6.0	1997.05 - 2001.10		4517.87D
600	M 120.981, M 120.983	6.0	1992.07 - 2001.10		4517.87D
600 SL	M 120.980	6.0	1992.02 - 1993.05		4517.87D
SL (230)					
280	M 272.949	3.0	2008.03 -		4834.100D ▲
300	M 272.949	3.0	2009.04 -		4834.100D ▲
350	M 112.973	3.7	2003.03 -		4281.87D
500	M 113.963, M 273.965	5.0	2001.10 - 2006.03 -	M 113 M 273	4281.87D 4833.100D ▲
SLK (170)					
200	M 111.946	2.0	1996.09 - 2000.03		4275.87D
200 Kompressor	M 111.943, M 111.958	2.0	1996.10 - 2004.04		4275.87D
230 Kompressor	M 111.973, M 111.983	2.3	1996.09 - 2004.04		4275.87D
32 AMG Kompressor	M 112.960	3.2	2001.03 - 2004.04		4298.87D
320	M 112.947	3.2	2000.03 - 2004.04		4281.87D
SLK (171)					
200 Kompressor	M 271.944, M 271.954	1.8	2004.03 -		3457.90D
280	M 272.942	3.0	2005.03 -	Motornummer 30058377→	4834.100D ▲
350	M 272.963	3.5	2005.03 -	Motornummer 30000484→	4834.100D ▲
SPRINTER					
616 CDI	OM 612.981	2.7	2001.04 -		410171.87D ▲
SPRINTER 2-t (901, 902)					
208 CDI	OM 611.987	2.1	2000.04 - 2006.05		410171.87D ▲
208 D	OM 601.943	2.3	1995.01 - 2000.04 1995.01 - 2000.04	ohne Gehäuse mit Gehäuse	4176.85D 4280.85D
210 D	OM 602.980	2.9	1997.01 - 2000.04 1997.01 - 2000.04	ohne Gehäuse mit Gehäuse	4176.85D 4280.85D
211 CDI	OM 611.981	2.1	2000.04 - 2006.05		410171.87D ▲

Thermostate
Thermostats
Thermostats



MERCEDES BENZ	Motor Engine Moteur	Ltr. Ltr. Ltr.	Jahr Year Année	Einschränkung Restriction* Restriction*	Thermostat Thermostat Thermostat
212 D	OM 602.980	2.9	1995.02 - 2000.04 1995.02 - 2000.04	ohne Gehäuse mit Gehäuse	4176.85D 4280.85D
213 CDI	OM 611.981	2.1	2000.04 - 2006.05		410171.87D ▲
214	M 111.979, M 111.984	2.3	1995.02 - 2006.05		4275.87D
214 NGT	M 111.984	2.3	2000.04 - 2006.05		4275.87D
216 CDI	OM 612.981	2.7	2000.04 - 2006.05		410171.87D ▲
SPRINTER 3-t (903)					
2.3 D	OM 601.943	2.3	1997.06 - 1999.12 1997.06 - 1999.12	ohne Gehäuse mit Gehäuse	4176.85D 4280.85D
2.9 TDi	OM 602.980	2.9	1997.01 - 1999.12 1997.01 - 1999.12	ohne Gehäuse mit Gehäuse	4176.85D 4280.85D
308 CDI	OM 611.987	2.1	2000.04 - 2006.05		410171.87D ▲
308 D	OM 601.943	2.3	1995.02 - 2000.04 1995.02 - 2000.04	ohne Gehäuse mit Gehäuse	4176.85D 4280.85D
308 D 2.3	OM 601.943	2.3	1995.02 - 2000.04 1995.02 - 2000.04	ohne Gehäuse mit Gehäuse	4176.85D 4280.85D
310 D	OM 602.980	2.9	1997.05 - 2002.08 1997.05 - 2002.08	ohne Gehäuse mit Gehäuse	4176.85D 4280.85D
310 D 2.9	OM 602.980	2.9	1995.02 - 2000.04 1995.02 - 2000.04	ohne Gehäuse mit Gehäuse	4176.85D 4280.85D
311 CDI	OM 611.981	2.1	2000.04 - 2006.05		410171.87D ▲
312 D 2.9	OM 602.980	2.9	1995.02 - 2002.08 1995.02 - 2002.08	ohne Gehäuse mit Gehäuse	4176.85D 4280.85D
313 CDI	OM 611.981	2.1	2000.04 - 2006.05		410171.87D ▲
314	M 111.979, M 111.984	2.3	1995.02 - 2006.05		4275.87D
316 CDI	OM 612.981	2.7	2000.04 - 2006.05		410171.87D ▲
SPRINTER 4-t (904)					
2.3 D	OM 601.943	2.3	1997.06 - 1999.12 1997.06 - 1999.12	ohne Gehäuse mit Gehäuse	4176.85D 4280.85D
408 CDI	OM 611.987	2.1	2000.04 - 2006.05		410171.87D ▲
408 D	OM 601.943	2.3	1996.02 - 2006.05 1996.02 - 2006.05	ohne Gehäuse mit Gehäuse	4176.85D 4280.85D
410 D	OM 602.980	2.9	1996.02 - 2006.05 1996.02 - 2006.05	ohne Gehäuse mit Gehäuse	4176.85D 4280.85D
411 CDI	OM 611.981	2.1	2000.04 - 2006.05		410171.87D ▲
412 D	OM 602.980	2.9	1996.02 - 2006.05 1996.02 - 2006.05	ohne Gehäuse mit Gehäuse	4176.85D 4280.85D
413 CDI	OM 611.981	2.1	2000.04 - 2006.05		410171.87D ▲
414	M 111.979, M 111.984	2.3	1996.02 - 2006.05		4275.87D
416 CDI	OM 612.981	2.7	2000.04 - 2006.05		410171.87D ▲
SPRINTER 3,5-t (906)					
309 CDI	OM 646.984	2.1	2006.06 -		410171.87D ▲
311 CDI	OM 646.985	2.1	2006.06 -		410171.87D ▲
313 CDI	OM 646.986	2.1	2006.06 -		410171.87D ▲
315 CDI	OM 646.990	2.1	2006.06 -		410171.87D ▲
324	M 272.979	3.5	2006.06 -		4833.100D ▲
SPRINTER 3-t (906)					
209 CDI	OM 646.984	2.1	2006.06 -		410171.87D ▲
211 CDI	OM 646.985	2.1	2006.06 -		410171.87D ▲
213 CDI	OM 646.986	2.1	2006.06 -		410171.87D ▲
215 CDI	OM 646.990	2.1	2006.06 -		410171.87D ▲
224	M 272.979	3.5	2006.06 -		4833.100D ▲
SPRINTER 4,6 (906)					
424	M 272.979	3.5	2006.06 -		4833.100D ▲

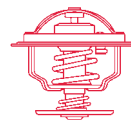


Thermostate
Thermostats
Thermostats

MERCEDES BENZ

	Motor Engine Moteur	Ltr. Ltr. Ltr.	Jahr Year Année	Einschränkung Restriction* Restriction*	Thermostat Thermostat Thermostat
SPRINTER 5-t (906)					
509 CDI	OM 646.984	2.1	2006.06 -		410171.87D ▲
511 CDI	OM 646.985	2.1	2006.06 -		410171.87D ▲
513 CDI	OM 646.986	2.1	2006.06 -		410171.87D ▲
515 CDI	OM 646.986, OM 646.990	2.1	2006.06 -		410171.87D ▲
524	M 272.979	3.5	2006.06 -		4833.100D ▲
T1 (601, 602)					
207 D 2.4	OM 616.917, OM 616.934, OM 616.937, OM 616.939	2.4	1977.04 - 1990.01 1977.12 - 1990.01	OM 616.917/934 OM 616.937/939	4049.80D 4049.80D1
208 2.3	M 115.955, M 115.972	2.3	1977.05 - 1982.12		4078.87D
208 D 2.3	OM 601.940	2.3	1988.10 - 1996.02 1988.10 - 1996.02	ohne Gehäuse mit Gehäuse	4176.85D 4280.85D
209 D 2.9	OM 617.913	2.9	1982.12 - 1990.01		4049.80D1
210 2.3	M 102.942, M 102.945, M 102.946, M 115.955	2.3	1977.04 - 1996.02		4078.87D
210 D 2.8	OM 602.940	2.8	1988.10 - 1996.02		4176.85D
210 D 2.9	OM 602.940	2.9	1988.11 - 1996.02		4176.85D
307 D 2.4	OM 616.937, OM 616.939	2.4	1977.04 - 1990.01		4049.80D1
308 D 2.3	OM 601.940	2.3	1988.11 - 1996.02 1988.11 - 1996.02	ohne Gehäuse mit Gehäuse	4176.85D 4280.85D
309 D 3.0	OM 617.913	3.0	1982.10 - 1990.01		4049.80D1
310 D 2.9	OM 602.940	2.9	1989.06 - 1996.02		4176.85D
T1 / TN					
407 D	OM 616.913	2.4	1981.07 - 1989.01		4049.80D1
408 D	OM 601.940	2.3	1988.11 - 1995.06 1988.11 - 1995.06	ohne Gehäuse mit Gehäuse	4176.85D 4280.85D
409 D	OM 617.913	2.9	1982.04 - 1989.01		4049.80D1
410	M 102.942, M 102.945	2.3	1982.08 - 1995.06		4078.87D
410 D	OM 602.940	2.8	1988.11 - 1995.06		4176.85D
T2					
L 405 D	OM 615	2.2	1972.01 - 1980.12	OM 615, OM 615 / OM 621	4078.79D
L 406 D	OM 615.910	2.2	1968.01 - 1974.12		4078.79D
L 407 D	OM 616.910	2.4	1975.01 - 1988.12		4078.79D
L 408 D	OM 314.948	3.8	1970.01 - 1974.12		4083.83D50
L 408 G	M 115.921, M 115.927, M 115.928, M 115.929, M 115.I, M 115.II	2.0	1968.01 - 1972.12 1968.01 - 1974.12		4078.87D 4105.83D
L 408, L 409	M 102.943, M 115.952	2.3	1982.08 - 1983.09 1975.01 - 1982.08	M 102 M 115	4078.87D 4105.83D
L 409	M 115.952	2.3	1975.01 - 1982.08		4105.83D
L 409 G	M 115.952, M 115.970, M 115.971	2.3	1975.01 - 1982.08		4105.83D
L 410	M 102.943	2.3	1982.08 - 1988.12		4078.87D
L 508 D	OM 314.946, OM 314.948, OM 314.959, OM 314.961, OM 314.962, OM 314.963	3.8	1970.01 - 1988.12		4083.83D50
L 608 D	OM 314.946, OM 314.948, OM 314.961, OM 314.963, OM 314.967	3.8	1970.01 - 1988.12		4083.83D50
L 613 D	OM 353.963, OM 353.966	5.7	1977.04 - 1988.12		4083.83D50
L 911	OM 352.911	5.7	1972.01 - 1983.07		4083.83D50

Thermostate
Thermostats
Thermostats



MERCEDES BENZ	Motor Engine Moteur	Ltr. Ltr. Ltr.	Jahr Year Année	Einschränkung Restriction* Restriction*	Thermostat Thermostat Thermostat
T2 / LN1					
507 D	OM 616.914	2.4	1986.04 - 1989.04 1986.04 - 1989.04 1986.04 - 1989.04	OM 616.914 OM 601.941 ohne Gehäuse OM 601.941 mit Gehäuse	4049.80D1 4176.85D 4280.85D
508 D	OM 601.941	2.3	1989.03 - 1994.12		4176.85D
510	M 102.946	2.3	1986.04 - 1994.12		4078.87D
609 D	OM 354.902, OM 364.906, OM 364.913, OM 364.919	4.0	1986.04 - 1994.12		4105.83D
611 D	OM 354.901, OM 354.902, OM 364.952, OM 364.954	4.0	1987.07 - 1994.12		4105.83D
614 D	OM 364.980, OM 364.981	4.0	1987.07 - 1992.12		4105.83D
709 D	OM 364.906, OM 364.912, OM 364.921	4.0	1986.04 - 1994.12		4105.83D
711 D	OM 354.902, OM 354.903, OM 364.950, OM 364.952, OM 364.957	4.0	1986.04 - 1994.12		4105.83D
714 D	OM 354.923	4.0	1994.06 - 1994.12		4105.83D
809 D	OM 364.906, OM 364.911, OM 364.920, OM 364.921	4.0	1986.04 - 1994.12		4105.83D
811 D	OM 354.901, OM 354.903, OM 364.950, OM 364.952, OM 364.958	4.0	1986.04 - 1994.12		4105.83D
814 D	OM 354.924, OM 354.925, OM 364.981, OM 364.984, OM 364.986, OM 364.987	4.0	1987.11 - 1994.12		4105.83D
VARIO					
512	OM 602.984	2.9	1996.09 -		4176.85D
612 D	OM 602.984, OM 602.985	2.9	1996.09 -		4176.85D
613 D / 614 D	OM 904.908	4.2	1996.09 -		4105.83D
615 D / 616 D	OM 904.923	4.3	1998.09 -		4105.83D
618 D	OM 904.964	4.2	2006.09 -		4105.83D
810	OM 904.904	4.3	1996.09 -		4105.83D
810 D	OM 904.904	4.3	1996.09 -		4105.83D
812	OM 602.984, OM 602.985	2.9	1996.09 -		4176.85D
812 D	OM 602.984, OM 602.985, OM 904.908, OM 904.923	4.2	1996.09 - 1996.09 -		4105.83D 4176.85D
813 D / 814 D	OM 904.908	4.2	1996.09 -		4105.83D
814	OM 904.908	4.2	1996.09 -		4105.83D
815	OM 904.923	4.3	1996.09 -		4105.83D
815 D / 816 D	OM 904.923	4.3	1996.09 -		4105.83D
818 D	OM 904.964	4.2	2006.09 -		4105.83D
VIANO (639)					
3,0	M 112.951	3.2	2003.09 -		4281.87D
3,5	M 272.979	3.5	2007.09 -		4833.100D ▲
3.2	M 112.951	3.2	2003.09 -		4281.87D
3.7	M 112.976	3.7	2004.06 -		4281.87D
CDI 2.0	OM 646.982	2.0	2003.09 -		410171.87D ▲
CDI 2.2	OM 646.982	2.2	2003.09 -		410171.87D ▲
VITO (638)					
108 CDI 2.2	OM 611A (60 KW CDI)	2.2	1999.03 - 2003.07		410171.87D ▲
110 CDI 2.2	OM 611LA (75 KW CDI)	2.2	1999.03 - 2003.07		410171.87D ▲
112 CDI 2.2	OM 611.980	2.2	1999.03 - 2003.07		410171.87D ▲
113 2.0	M 111.948, M 111.950	2.0	1996.02 - 2003.07		4279.87D



Thermostate
Thermostats
Thermostats

MERCEDES BENZ

Motor
Engine
Moteur

Ltr.
Ltr.
Ltr.

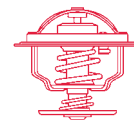
Jahr
Year
Année

Einschränkung
Restriction*
Restriction*

Thermostat
Thermostat
Thermostat

114 2.3	M 111.978, M 111.980	2.3	1996.12 - 2003.07		4279.87D
VITO (639)					
109 CDI	OM 646.980, OM 646.981, OM 646.983	2.2	2003.09 -		410171.87D ▲
111 CDI	OM 646.982	2.2	2003.09 -		410171.87D ▲
115 CDI	OM 646.982	2.2	2003.09 -		410171.87D ▲
119	M 112.951	3.0	2003.09 -		4281.87D
122	M 112.951	3.2	2003.09 -		4281.87D
123	M 112.976	3.7	2004.06 - 2008.07		4281.87D
126	M 272.978	3.5	2007.09 -		4833.100D ▲
V-Klasse (638)					
V 200	M 111.948, M 111.950	2.0	1997.02 - 2003.07		4279.87D
V 200 CDI	OM 611.980	2.2	1999.03 - 2003.07		410171.87D ▲
V 220 CDI	OM 611.980	2.2	1999.03 - 2003.07		410171.87D ▲
V 230	M 111.978, M 111.980	2.3	1996.10 - 2003.07		4279.87D
V 280	M 104.900	2.8	1997.08 - 2003.07		4123.80D

Thermostate
Thermostats
Thermostats



MINI

	Motor Engine Moteur	Ltr. Ltr. Ltr.	Jahr Year Année	Einschränkung Restriction* Restriction*	Thermostat Thermostat Thermostat
MINI (R50, R53)					
Cooper	N12B16A, W10B16A	1.6	2001.06 -		410263.91D ▲
Cooper S	N14B16A, W11B16A	1.6	2002.03 -		410263.91D ▲
One	W10B16A	1.6	2001.06 -		410263.91D ▲
One D	1ND, 1ND-TV	1.4	2003.06 -		410231.82D ▲
Works	W11B16A	1.6	2003.11 -		410263.91D ▲
MINI Cabriolet (R52)					
Cooper	W10B16A	1.6	2004.07 -		410263.91D ▲
Cooper S	W11B16A	1.6	2004.07 -		410263.91D ▲
John Cooper Works	W11B16A	1.6	2004.07 -		410263.91D ▲
One	W10B16A	1.6	2004.07 -		410263.91D ▲



Thermostate
Thermostats
Thermostats

MITSUBISHI

Motor
Engine
Moteur

Ltr.
Ltr.
Ltr.

Jahr
Year
Année

Einschränkung
Restriction*
Restriction*

Thermostat
Thermostat
Thermostat

CORDIA (A21_A)

1.6 GSL	4G32	1.6	1982.10 - 1986.12		3119.82D4
1.6 Turbo	4G32 T	1.6	1982.10 - 1985.05		3119.82D4
1.8 GSL	4G37	1.8	1986.10 - 1986.12		3119.82D4
1.8 Turbo ECi	4G62 T	1.8	1984.10 - 1986.12		3119.82D4

CARISMA (DA_)

1.3	4 G 13 (12V)	1.3	2000.09 - 2004.10		4637.88D ▲
1.6	4 G 92	1.6	1995.07 - 2006.06		4637.82D
1.8	4G93	1.8	1995.07 - 2006.06		4637.82D
1.8 16V	4G93	1.8	1995.07 - 2006.06		4637.82D
1.8 16V GDI	4G93	1.8	1997.09 - 2006.06		4637.82D
1.8 GDI	4G93	1.8	2000.10 - 2006.06		4637.82D
1.9 DI-D	F9Q1, F9Q2	1.9	2000.09 - 2006.06		3470.89D50
1.9 TD	F8QT	1.9	1996.10 - 2000.09		3470.89D50

COLT I (A15_A)

1.2 GL	4 G 11	1.2	1978.12 - 1984.01		3119.82D4
1.4 GLX, GT	4 G 12	1.4	1979.05 - 1984.01		3119.82D4
1.4 Turbo	4 G 12 T	1.4	1981.09 - 1984.01		3119.82D4

COLT II (C1_A)

1.2	4G16	1.2	1984.02 - 1988.04		3119.88D4
1.3 EL, GL	G13B	1.3	1986.06 - 1988.04		3119.88D4
1.5 GLX	4 G 15, G15B	1.5	1984.09 - 1988.04		3119.82D4
1.6 Turbo ECi	4 G 32 T/C, G32BT	1.6	1984.02 - 1988.04		3119.88D4

COLT III (C5_A)

1.3 12V	4 G 13 (12V)	1.3	1988.04 - 1992.05		3119.82D4
1.3 GL	4 G 13	1.3	1988.04 - 1990.12		3119.82D4
1.5	4 G 15	1.5	1988.04 - 1992.05		3119.82D4
1.6 GTi 16V	4G61	1.6	1988.04 - 1990.05		3119.82D4

COLT IV (CA_A)

1.3 GLi 12V	4 G 13 (BJ92-..., 12V)	1.3	1992.04 - 1996.04		3119.82D4
1.6	4 G 92	1.6	1993.08 - 1996.04		4637.82D
1.6 GLXi 16V	4 G 92	1.6	1992.04 - 1996.04		4038.81D
1.8 GTi 16V	4G93	1.8	1992.04 - 1996.04		4637.82D

COLT LANCER (A7_)

1.2	4G36	1.2	1978.01 - 1979.09		3119.82D4
1.4	4G33	1.4	1978.01 - 1979.09		3119.82D4
1.6	4G32 GS	1.6	1978.01 - 1979.09		3119.82D4

COLT V (CJ_A)

1.3	4G19	1.3	2002.08 - 2005.07		4637.82D
1300	4 G 13 (16 V), 4 G 13 (12V)	1.3	1996.05 - 2000.09 2000.09 - 2005.07		4637.82D 4637.88D ▲
1500	4 G 15 (16V)	1.5	1995.11 - 2005.07		4637.76D ▲
1600	4 G 92	1.6	1996.05 - 2005.07		4637.82D

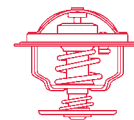
COLT VI (Z_)

1.5 CZT (Z37A)	4G15T	1.5	2005.03 -		4637.82D
----------------	-------	-----	-----------	--	----------

COLT CZC Cabriolet (RG)

1.5	4A91	1.5	2006.05 -		4637.82D
1.5 Turbo	4G15T	1.5	2006.05 -		4637.82D

Thermostate
Thermostats
Thermostats



MITSUBISHI

	Motor Engine Moteur	Ltr. Ltr. Ltr.	Jahr Year Année	Einschränkung Restriction* Restriction*	Thermostat Thermostat Thermostat
ECLIPSE I (D2_A)					
2.0 i 16V	4 G 63	2.0	1991.04 - 1995.11		3119.82D4
ECLIPSE II (D3_)					
2000 GS 16V	4 G 63	2.0	1995.12 - 1999.04		3119.82D4
2000 GT 16V		2.0	1995.12 - 1999.04		4637.82D
GALANT I (A12_)					
1.6	4G32	1.6	1977.01 - 1980.08		3119.82D4
2.0	4G52	2.0	1977.01 - 1980.08		3119.82D4
GALANT II (A16_)					
1.6	4G32	1.6	1980.09 - 1984.05		3119.82D4
2.0	4G63	2.0	1980.09 - 1984.05		3119.82D4
2.0 Turbo ECi (A164)	4 G 63 T (ECi)	2.0	1982.05 - 1984.05		3119.82D4
GALANT III (E1_A)					
1.6 GLX	4G32	1.6	1984.06 - 1987.12		3119.82D4
1.8 Turbo-D (E14A)	4 D 65 T	1.8	1984.06 - 1987.12		4038.81D
2.0 GLS	4G63, G63B	2.0	1984.06 - 1987.12		3119.82D4
GALANT IV (E3_A)					
1.6	4G32	1.6	1988.01 - 1992.10		3119.82D4
1.8	4G37	1.8	1987.11 - 1992.10		3119.82D4
2.0	4G63	2.0	1987.11 - 1992.10		3119.82D4
2.0 GTI 16V	4 G 63	2.0	1987.11 - 1992.12		3119.82D4
GALANT V (E5_A, E7_A, E8_A)					
1.8	4G93	1.8	1992.11 - 1996.08		4637.82D
2.0	4G63	2.0	1992.11 - 1996.08		4637.82D
2.0 GLSTD	4 D 68 T	2.0	1992.11 - 1996.08		4637.82D
2.0 V6-24	6A12	2.0	1992.11 - 1996.08		4637.82D
2.5	6G73	2.5	1992.11 - 1996.09		410180.82D ▲
2.5 V6-24	6G73	2.5	1992.11 - 1996.08		410180.82D ▲
GALANT VI (EA_)					
1.8 GDi	4G93	1.8	1997.11 - 2001.10		4637.82D
2.0	4 G 63	2.0	1996.09 - 2004.10		4637.82D
2.0 GDi	4G94	2.0	1999.10 - 2004.10		4637.82D
2.0 TDI	4D68 SOHC	2.0	1996.09 - 2004.10		4637.82D
2.4 GDI	4G64 (GDI), 4G69	2.4	1999.02 - 2004.10		4637.82D
2.5 V6 24V	6A13	2.5	1996.09 - 2004.10		4637.82D
GALANT					
2.0 GDi G	4G94	2.0	2003.10 -		4637.82D
2.0 GDi V	4G94	2.0	2003.10 -		4637.82D
2.4 GDi Sport	4G69	2.4	2003.10 -		4637.82D
GRANDIS					
2.0 DI-D	BSY, BWC	2.0	2005.09 -		3472.87D
2.4	4G69	2.4	2004.04 -		4637.82D
L 200 (K_T)					
2.0	4G63	2.0	1996.06 -		4637.82D
2.4	4G64	2.4	1996.06 -		4637.82D
2.5 D	4 D 56	2.5	1996.06 -		4638.76D
			1986.11 - 1996.08		4638.82D
2.5 TD	4 D 56 T, 4 D 56 TD	2.5	1992.11 - 2005.11		4638.76D



Thermostate
Thermostats
Thermostats

MITSUBISHI

Motor
Engine
Moteur

Ltr.
Ltr.
Ltr.

Jahr
Year
Année

Einschränkung
Restriction*
Restriction*

Thermostat
Thermostat
Thermostat

L 300 (LO3_P/G, L0_2P)

1.6	4G32	1.6	1980.05 - 1987.02	3119.82D4
2.3 D	4 D 55	2.3	1983.09 - 1986.10	4038.81D
2.3 D (L038P, L068P)	4 D 55	2.3	1983.04 - 1986.10	4038.81D
2.5 D (L039P)	4 D 56	2.5	1986.11 - 1994.04	4638.82D

L 300 (P0_W, P1_W, P1_T, P2_W)

1.6	4G32	1.6	1986.11 - 1994.05	3119.82D4
1.6 (P12V, P02V)	4G32	1.6	1986.11 -	3119.82D4
2.0	4G63	2.0	1986.11 -	3119.82D4
2.0 (P13T)	4 G 63	2.0	1994.07 -	4637.82D
2.0 (P03V, P13V)	G63B	2.0	1986.11 - 1994.05 1994.06 -	3119.82D4 4637.82D
2.4	4G64	2.4	1990.11 -	3119.82D4
2.5 D	4 D 56	2.5	1986.11 -	4638.82D
2.5 D (P05V, P05W, P15V)	4 D 56	2.5	1986.11 -	4638.82D
2.5 D (P15T)	4 D 56 T	2.5	1994.11 -	4638.82D
2.5 TD	4 D 56 T	2.5	1988.11 - 2003.05 1991.11 - 2003.05	4638.76D 4638.82D

L 400 (PAOV)

2500 TD	4 D 56 T	2.5	1996.06 -	4637.82D
---------	----------	-----	-----------	----------

LANCER I / F II (A17_)

1.2	4 G 11, 4 G 12	1.2	1979.09 - 1984.01	3119.82D4
1.4	4 G 12	1.4	1983.03 - 1984.01	3119.82D4
1.4 Turbo	4 G 12 T	1.4	1983.03 - 1984.01	3119.82D4
1.6	4G32 GS	1.6	1979.09 - 1983.02	3119.82D4
2.0 Turbo ECI	4 G 32 T (ECI)	2.0	1981.03 - 1983.02	3119.82D4

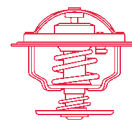
LANCER III (C1, C3, C6)

1.3	4 G 13 (12V), G13B	1.3	1988.05 - 1992.08	3119.88D4
1.5	4 G 15, G15B	1.5	1983.11 - 1990.12 1985.09 - 1992.08	3119.82D4 3119.88D4
1.5 12V	4G15 (12V)	1.5	1990.09 - 1991.12	3119.82D4
1.8	4G37, G37B	1.8	1987.01 - 1992.06 1987.01 - 1989.08	3119.82D4 3119.88D4

LANCER IV (C6, C7)

1.2 GL	4G16	1.2	1988.05 - 1992.08	3119.82D4
1.3	G13B	1.3	1988.05 - 1990.06	3119.88D4
1.3 (C61A)	4 G 13, G13B	1.3	1988.04 - 1992.05	3119.82D4
1.3 12V	4 G 13 (12V)	1.3	1990.07 - 1993.07	3119.88D4
1.3 12V (C61A)	4 G 13 (12V)	1.3	1990.07 - 1994.05	3119.82D4
1.3 GL	G13B	1.3	1988.05 - 1990.06	3119.82D4
1.5	4 G 15, 4G15 (12V)	1.5	1988.04 - 1992.08	3119.82D4
1.5 (C62A)	4 G 15	1.5	1988.06 - 1992.05	3119.88D4
1.5 12V (C62A)	4G15 (12V)	1.5	1989.05 - 1992.05	3119.82D4
1.6 (C76A, C66A)	4 G 92	1.6	1992.06 - 1993.11	4637.76D ▲
1.6 16V (C76A, C66A)	4 G 92	1.6	1992.06 - 1994.05	3119.82D4
1.6 GLX	4G61	1.6	1989.08 - 1992.08	3119.82D4
1.6 GTi	4G61	1.6	1988.05 - 1990.05	3119.82D4
1.6 GTi (C63A)	4G61	1.6	1988.05 - 1990.05	3119.88D4
1.8 (C77A)	4G37	1.8	1989.09 - 1992.06	3119.82D4
1.8 GLX Diesel (C64A)	4 D 65	1.8	1988.04 - 1992.05	3119.82D4
1.8 GTi (C77A)	4G37	1.8	1992.06 - 1993.07	3119.82D4
1.8 GTi 16V (C68A)	4G67	1.8	1989.11 - 1992.05	3119.82D4
1.8 GTi 16V (C69A)	4G93	1.8	1992.06 - 1993.12	4637.82D

Thermostate
Thermostats
Thermostats



MITSUBISHI

	Motor Engine Moteur	Ltr. Ltr. Ltr.	Jahr Year Année	Einschränkung Restriction* Restriction*	Thermostat Thermostat Thermostat
LANCER V (CB, CD)					
1.6 16V	4 G 92	1.6	1992.06 -		4637.76D ▲
1.6 16V (CB4W)	4 G 92	1.6	1992.12 - 2003.10		4637.76D ▲
1.8	4G93	1.8	1995.03 - 2003.10		4637.82D
1.8 16V	4G93	1.8	1992.06 - 1993.12		4637.82D
1.8 i	4G93	1.8	1995.03 - 2003.10		4637.82D
2.0 D		2.0	1995.03 - 2003.10		4637.82D
2.0 D (CB8W)	4 D 68	2.0	1992.12 - 2003.10		4637.76D ▲
2.0 Diesel (CB8A)	4 D 68	2.0	1992.06 -		4637.82D
LANCER VI (CK/P_A)					
1.3 12V (CK1A)	4 G 13 (12V)	1.3	1995.12 - 2003.08		4637.82D
1.5 16V (CK2A)	4 G 15 (16V)	1.5	1995.12 - 2003.08		4637.76D ▲
1.6 16V (CK4A)	4 G 92	1.6	1995.12 - 2003.08		4637.82D
1.8	4G93	1.8	1995.09 - 2003.08		4637.76D ▲
1.8 16V	4G93T	1.8	1999.01 - 2003.08		4637.76D ▲
2.0 16V EVO IV / V / VI / VII (CP9A, CT9A)	4 G 63 Turbo	2.0	1996.08 - 2003.08		4637.82D
LANCER (CS)					
1.3	4 G 13 (16 V)	1.3	2003.09 -		4637.88D ▲
1.6 (CS3A)	4G18	1.6	2003.09 -		4637.88D ▲
1.6 (CS3W)	4G18	1.6	2003.09 -		4637.88D ▲
1.8 GDi T	4G93	1.8	2003.09 -		4637.88D ▲
2.0 (CS9A)	4 G 63	2.0	2003.12 -		4637.82D
2.0 (CS9W)	4 G 63	2.0	2003.09 -		4637.82D
LANCER SPORTBACK (CX_A)					
2.0 DI-D	BKD	2.0	2008.06 -		3472.87D
OUTLANDER I (CU_)					
2.0 4WD		2.0	2003.05 -		4637.82D
2.0 4WD (CU2W)	4 G 63	2.0	2003.05 -		4637.82D
2.0 Turbo 4WD (CU2W)	4 G 63 T	2.0	2004.04 -		4637.82D
2.4 4WD (CU5W)	4G69	2.4	2003.05 -		4637.82D
PAJERO I (L04_G, L14_G)					
2.5 TD (L044G, L049G)	4 D 56 T	2.5	1986.05 - 1991.12		4638.76D
2.6 (L042G, L047G)	4G54	2.6	1983.01 - 1990.11		3119.88D4
3.0 V6 (L141G, L146G)	6G72	3.0	1988.11 - 1990.11		3119.88D4
PAJERO II (V2_W, V4_W)					
1.8 GDI	4G93	1.8	1998.06 - 2000.04		4637.82D
2.4 (V21W, V21C)	4G64	2.4	1991.04 - 2000.04		3119.88D4
2.4 (V41W, V21W, V21C)	4G64	2.4	1991.04 - 2000.04		3119.88D4
2.5 TD (V24C, V24W)	4 D 56 TD	2.5	1990.12 - 2000.04		4637.82D
2.5 TD 4x4 (V24C, V24W)	4 D 56 TD	2.5	1990.12 - 2000.04		4637.82D
2.8 TD (V46W)	4 M 40, 4M40-T	2.8	1994.06 - 2000.04		4637.76D ▲
3.0 V6 (V23W, v43W, V23C)	6G72	3.0	1990.12 - 1995.12		3119.88D4
3.0 V6 24V (V23W, V23C)	6G72	3.0	1994.06 - 2000.04		410180.82D ▲
3.0 V6 24V (V43W, V23W)	6G72	3.0	1994.06 - 2000.04		410180.82D ▲
3.5 V6 24V (V25W, V45W)	6G74 DOHC	3.5	1994.06 - 2000.04		410180.82D ▲
3.5 V6 24V (V45W, V25W)	6G74 DOHC	3.5	1997.07 - 2000.04		410180.82D ▲
PAJERO III (V60, V70)					
2.5 TDi (V64W, V74W)	4 D 56 T	2.5	2001.09 -		4637.82D
3.2 DI-D (V68W, V78W)	4M41	3.2	2000.04 - 2001.10		4637.76D ▲
3.5 V6 GDI (V65W, V75W)	6G74 DOHC	3.5	2000.04 -		410180.82D ▲

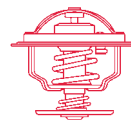


Thermostate
Thermostats
Thermostats

MITSUBISHI

	Motor Engine Moteur	Ltr. Ltr. Ltr.	Jahr Year Année	Einschränkung Restriction* Restriction*	Thermostat Thermostat Thermostat
PAJERO IV (V80, V90)					
3.8 V6 (V87W, V97W)	6G75	3.8	2007.02 - 2008.07		410180.82D ▲
PAJERO CLASSIC (V2_W)					
2.5 TD	4 D 56 T	2.5	2002.07 -		4637.82D
3.2 DI-D	4M41	3.2	2005.05 -		4637.76D ▲
PAJERO PININ (H6_W, H7_W)					
1.8	4G93	1.8	2001.11 -		4637.82D
1.8 GDI	4G93	1.8	1999.10 -		4637.82D
2.0 GDI	4G94	2.0	2000.10 -		4637.82D
PAJERO SPORT (K90)					
2.5 D	4 D 56 T	2.5	1997.11 - 1998.10		4637.82D
2.5 TD	4 D 56 T	2.5	1998.11 -		4637.82D
PROUDIA / DIGNITY					
3.5 24V	6G74 DOHC	3.5	1999.10 -		410180.82D ▲
4.5 32V	8A80	4.5	1999.10 -		410180.82D ▲
SAPPORO I (A12_)					
1.6	4G32	1.6	1978.04 - 1980.07		3119.82D4
2.0	4G52	2.0	1978.04 - 1980.07		3119.82D4
SAPPORO II (A16_A)					
1.6	4G32	1.6	1980.08 - 1984.09		3119.82D4
2.0	4G63	2.0	1980.08 - 1984.09		3119.82D4
2.0 Turbo ECI	4 G 63 T (ECI)	2.0	1982.08 - 1983.08		3119.82D4
SAPPORO III (E16A)					
2.4	4G64	2.4	1987.06 - 1990.08		3119.82D4
SIGMA (F16A, F07W)					
3.0 V6	6G72	3.0	1990.12 - 1996.07		410180.82D ▲
SPACE GEAR (PA/B/D_V/W)					
2.0 16V	4 G 63	2.0	1995.05 - 2000.05		4637.82D
2.4 i	4G64	2.4	1995.05 - 2000.05		4637.82D
2.5 TD	4 D 56 T, 4 D 56 TD	2.5	1995.05 - 2000.05		4638.82D
SPACE RUNNER (N1_W, N2_W)					
1.8	4G93	1.8	1991.10 - 1999.08		4637.82D
2.0 16V	4 G 63	2.0	1997.06 - 1999.08		4637.82D
2.0 TD	4 D 68 T, 4D68 T	2.0	1992.10 - 1999.08		4637.82D
SPACE RUNNER (N50)					
2.0	4 G 63	2.0	1999.08 -		4637.82D
2.4 GDI	4G64 (GDI)	2.4	1999.08 -		4637.82D
SPACE STAR (DG0)					
1.3 16V	4 G 13 (16 V)	1.3	1998.06 -		4637.88D ▲
1.6	4 G 92	1.6	2001.04 - 2006.03		4637.82D
1.6 16V	4G18	1.6	2001.01 -		4637.88D ▲
1.8 GDI	4G93	1.8	1998.06 -		4637.82D
1.8 MPI	4G93	1.8	2002.10 -		4637.82D
1.9 DI-D	F9Q1, F9Q2	1.9	2001.02 -		3470.89D50

Thermostate
Thermostats
Thermostats



MITSUBISHI

	Motor Engine Moteur	Ltr. Ltr. Ltr.	Jahr Year Année	Einschränkung Restriction* Restriction*	Thermostat Thermostat Thermostat
SPACE WAGON (D0_V/W)					
1.8	4G37	1.8	1984.01 - 1988.12		3119.82D4
2.0	4G63, G63B	2.0	1985.03 - 1991.04		3119.82D4
SPACE WAGON (N3_W, N4_W)					
1.8	4G93	1.8	1991.10 - 1998.10		4637.82D
2.0	4 G 63, 4G63	2.0	1991.05 - 1998.10		4637.82D
2.0 TD (N38W)	4D68 T	2.0	1992.10 - 1998.10		4637.82D
2.4 i	4G64 (GDI)	2.4	1992.10 - 1998.10		4637.82D
SPACE WAGON (N5_W)					
2.0 GDI	4 G 63	2.0	2002.04 -		4637.82D
2.4 GDI	4G64 (GDI)	2.4	1998.10 -		4637.82D
STARION (A18_A)					
2.0 Turbo	4 G 63 T (ECI), 4 G 63 T/C	2.0	1982.06 - 1987.08		3119.82D4
2.6 Turbo ECi	G 54 B T/C	2.6	1987.09 - 1990.06		3119.82D4
TREDIA (A21_)					
1.4 GLX	4 G 12	1.4	1982.10 - 1985.08		3119.82D4
1.6 GLS	4G32	1.6	1982.09 - 1987.10		3119.82D4
1.6 Turbo	4G32 T	1.6	1982.09 - 1985.05		3119.82D4

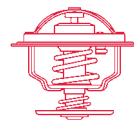


Thermostate
Thermostats
Thermostats

NISSAN

	Motor Engine Moteur	Ltr. Ltr. Ltr.	Jahr Year Année	Einschränkung Restriction* Restriction*	Thermostat Thermostat Thermostat
100 NX (B13)					
1.6	GA16DS	1.6	1990.03 - 1994.10		4634.76
1.6 SR	GA16DE	1.6	1993.09 - 1994.10		3478.82D
2.0	SR20DE	2.0	1990.10 - 1994.10		4635.76
2.0 GTI	SR20DE	2.0	1991.03 - 1994.10		4635.76
200 SX (S13)					
1.8	CA18DE	1.8	1988.09 - 1994.03		3118.82D1
1.8 Turbo	CA18DET	1.8	1988.07 - 1993.11		3118.82D1
2.0 i 16V	SR20DE	2.0	1988.07 - 1993.11		4635.76
200 SX (S14)					
2.0 i 16V	SR20DE	2.0	1993.10 - 1999.12		4635.76
2.0 i 16V Turbo	SR20DET	2.0	1993.10 - 1999.12		4635.76
280 ZX,ZXT (HGS130)					
2.8	L28E, L28ET	2.8	1978.10 - 1984.02		3118.88D1
AD					
1.5	QG15DE	1.5	1999.05 - 2004.08		3478.82D
1.6	GA16DS	1.6	1990.10 - 1999.04		3478.82D
1.8		1.8	1999.05 - 2004.08		3478.82D
ALMERA I (N15)					
1.4	GA14DE	1.4	1995.09 - 2000.07		3478.82D
1.6	GA16DE	1.6	1995.07 - 2000.07		3478.82D
2.0 D	CD20	2.0	1995.11 - 2000.07		410176.82D0 ▲
2.0 GTi	SR20DE	2.0	1996.07 - 2000.03		4635.76
ALMERA II (N16)					
1.5	QG15DE	1.5	2000.03 -		3478.82D
1.5 dCi	K9K 722	1.5	2003.01 -		411043.89D ▲
1.8	QG18DE	1.8	2000.01 -		3478.82D
ALMERA TINO (V10)					
1.8	QG18DE	1.8	2000.08 -		3478.82D
BLUEBIRD (910)					
1.8	L18S, L18T	1.8	1980.01 - 1984.05		3118.88D1
1.9 i	Z20E	1.9	1982.01 - 1984.05		3118.88D1
2.0 D	LD20	2.0	1980.01 - 1984.05		4022.82D
2.0 i	Z20E	2.0	1982.01 - 1983.12		3118.88D1
BLUEBIRD (T72 , T12)					
1.6	CA16S	1.6	1986.03 - 1991.06		3118.88D1
1.8 i 16V	CA18D	1.8	1989.02 - 1990.12		3118.88D1
1.8 Turbo	CA18T	1.8	1985.12 - 1990.05		3118.88D1
2.0	CA20S	2.0	1985.12 - 1987.12		3118.88D1
2.0 D	LD20	2.0	1986.03 - 1990.12		4022.82D
2.0 i	CA20E	2.0	1985.12 - 1990.12		3118.88D1
BLUEBIRD (U11)					
1.6	CA16S	1.6	1985.12 - 1990.02		3118.82D1
1.8	CA18N, CA18S	1.8	1983.11 - 1990.04 1983.11 - 1988.06		3118.82D1 3118.88D1
1.8 Turbo	CA18ET, CA18T	1.8	1984.09 - 1990.04 1984.04 - 1990.05		3118.82D1 3118.88D1
2.0	CA20S	2.0	1986.04 - 1990.09		3118.88D1

Thermostate
Thermostats
Thermostats



NISSAN

	Motor Engine Moteur	Ltr. Ltr. Ltr.	Jahr Year Année	Einschränkung Restriction* Restriction*	Thermostat Thermostat Thermostat
2.0 D	LD20	2.0	1984.04 - 1990.12		4022.82D
2.0 i	CA20E	2.0	1984.04 - 1990.12		3118.88D1
2.0 LX	CA20S	2.0	1985.12 - 1990.02		3118.82D1
CHERRY (E10, N10)					
1.0	A10, A10S	1.0	1970.09 - 1981.07		3044.90D1
1.2	A12	1.2	1978.08 - 1981.07		3118.82D1
1.3	E13	1.3	1981.08 - 1983.12		3118.82D1
1.4	A14S	1.4	1980.08 - 1981.07		3118.82D1
1.4 i.e.	A14S	1.4	1980.08 - 1981.07		3118.82D1
1.5	E15	1.5	1981.08 - 1982.12		3118.82D1
CHERRY (N12)					
1.0	E10	1.0	1982.05 - 1986.05		3044.90D1
1.3	E13	1.3	1982.05 - 1986.10		3118.82D1
1.5	E15S	1.5	1983.11 - 1986.10		3118.82D1
1.5 ET Turbo	E15ET	1.5	1983.01 - 1985.12		3118.82D1
1.7 D	CD17	1.7	1982.10 - 1986.12		3118.82D1
CUBE (Z12)					
1.5 dCi		1.5	2010.03 -		411241.82D ▲
1.6 16V	HR 16 DE	1.6	2010.03 -		411241.82D ▲
INTERSTAR (X70)					
dCi 80	F9Q 772	1.9	2002.07 -		410517.83D ▲
JUKE					
1.6	HR 16 DE	1.6	2010.06 -		411241.82D ▲
1.6 DIG-T	MR16DDT	1.6	2010.06 -		411241.82D ▲
KUBISTAR					
1.2	D7F 764	1.2	2003.08 -		3174.89D
1.2 16V	D4F 712	1.2	2006.04 -		3166.89D
1.5 dCi	K9K 704, K9K 722	1.5	2003.08 - 2003.08 -	für Fahrzeuge mit Rußpartikelfilter für Fahrzeuge ohne Rußpartikelfilter	411039.83D ▲ 411043.89D ▲
1.5 dCi 70	K9K 700	1.5	2006.04 -		411039.83D ▲
1.5 dCi 85	K9K 276	1.5	2006.04 - 2006.04 -	für Fahrzeuge mit Rußpartikelfilter für Fahrzeuge ohne Rußpartikelfilter	411039.83D ▲ 411043.89D ▲
1.6 16V	K4M 752	1.6	2003.08 -		3466.89D
LAUREL (HLC230)					
2.0	L20A	2.0	1977.03 - 1983.05		3118.82D1
LAUREL (JC31)					
2.4	L24	2.4	1981.01 - 1985.12		3118.82D1
2.8 D	LD28	2.8	1981.01 - 1985.10		4022.82D
MICRA I (K10)					
1.0	MA10S	1.0	1982.12 - 1991.05		3044.90D1
1.2	MA12S	1.2	1986.07 - 1992.07		3044.90D1
MICRA II (K11)					
1.0 i 16V	CG10DE	1.0	1992.08 - 2003.02		3004.82
1.3 i 16V	CG13DE	1.3	1992.08 - 2000.09		3004.82
1.4 i 16V	CGA3DE	1.4	2000.09 - 2003.02		3004.82

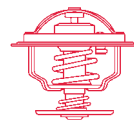


Thermostate
Thermostats
Thermostats

NISSAN

	Motor Engine Moteur	Ltr. Ltr. Ltr.	Jahr Year Année	Einschränkung Restriction* Restriction*	Thermostat Thermostat Thermostat
1.5 D	TD15	1.5	1998.02 - 2003.02		4821.89D
MICRA III (K12)					
1.2 16V	CG12DE, CR12DE	1.2	2003.01 -		410488.88D ▲
1.4 16V	CR14DE	1.4	2003.01 -		410488.88D ▲
1.5 dCi	K9K 276, K9K 704, K9K 722	1.5	2005.06 - 2003.01 - 2005.05		411040.83D ▲ 411043.89D ▲
MICRA IV (K13)					
1.2	HR 12 DE	1.2	2010.05 -		411241.82D ▲
1.2 DIG	HR 12 DDR	1.2	2011.04 -		411241.82D ▲
NOTE (E11)					
1.4	CR14DE	1.4	2006.03 -		410488.88D ▲
1.5 dCi	K9K 276, K9K 700	1.5	2006.03 -		411040.83D ▲
1.6	HR 16 DE	1.6	2006.03 -		411241.82D ▲
NV 200					
1.5 dCi		1.5	2010.02 -		411241.82D ▲
1.6 16V	HR 16 DE	1.6	2010.02 -		411241.82D ▲
PATROL (160)					
2.8	L28	2.8	1980.07 - 1988.08		3118.88D1
PATROL (260)					
2.8	L28	2.8	1986.05 - 1990.06		3118.88D1
PICK UP (720)					
1.8	L18	1.8	1983.01 - 1986.03		3118.88D1
2.2	Z22	2.2	1983.04 - 1986.03		3118.82D1
PICK UP (D21)					
2.0	Z20	2.0	1985.09 - 1991.08		3118.82D1
2.4 i 12V	KA24E	2.4	1992.04 - 1998.02		4635.76
PICK UP (D22)					
2.4 i	KA24DE, KA24E	2.4	1998.02 -		4635.76
PRAIRIE (M10, NM10)					
1.5 S (M10)	E15S	1.5	1984.01 - 1987.12		3118.82D1
1.8 SGL (M10)	CA18S	1.8	1983.07 - 1987.10		3118.82D1
2.0 (NM10)	CA20S	2.0	1986.06 - 1988.09		3118.88D1
PRAIRIE PRO (M11)					
2.0	CA20E	2.0	1989.03 - 1990.08		3118.88D1
2.0 i	CA20E	2.0	1988.10 - 1992.12		3118.88D1
2.4 i	KA24E	2.4	1992.04 - 1994.07		4635.76
PRIMASTAR					
2.0	F4R 720, F4R 722	2.0	2001.03 -		3466.89D
dCi 100	F9Q 760	1.9	2001.03 -		410517.83D ▲
dCi 80	F9Q 762	1.9	2001.03 -		410517.83D ▲
PRIMERA (P10, WP10)					
1.6	GA16DE, GA16DS	1.6	1990.06 - 1996.01		3478.82D
1.6 i	GA16DE, GA16DS	1.6	1990.07 - 1998.03		3478.82D
2.0	SR20DE	2.0	1990.06 - 1996.01		4635.76
2.0 16V	SR20DI	2.0	1990.06 - 1996.06		4635.76
2.0 D	CD20	2.0	1990.07 - 1996.01		410176.88D0 ▲

Thermostate
Thermostats
Thermostats



NISSAN

	Motor Engine Moteur	Ltr. Ltr. Ltr.	Jahr Year Année	Einschränkung Restriction* Restriction*	Thermostat Thermostat Thermostat
2.0 GT	SR20DE	2.0	1990.06 - 1996.01		4635.76
2.0 i	SR20DE, SR20DI	2.0	1990.07 - 1998.03		4635.76
PRIMERA (P11, WP11)					
1.6 16V	GA16DE, QG16DE	1.6	1996.06 - 2002.07		3478.82D
1.8	QG18DD	1.8	1996.06 - 1999.05		3478.82D
1.8 16V	QG18DE	1.8	1999.08 - 2002.07		3478.82D
2.0	SR20VE	2.0	1996.06 - 1999.05		4635.76
2.0 16V	SR20DE	2.0	1996.09 - 2002.07		4635.76
2.0 TD	CD20T	2.0	1996.09 - 2002.07		410176.82D0 ▲
PRIMERA (P12, WP12)					
1.6	QG16DE	1.6	2002.01 -		3478.82D
1.6 Visia	QG16DE	1.6	2002.01 -		3478.82D
1.8	QG18DE	1.8	2002.03 -		3478.82D
1.9 dCi		1.9	2003.04 -		410517.89D ▲
QASHQAI (J10, JJ10)					
1.5 dCi		1.5	2007.02 -		411040.83D ▲
1.6	HR 16 DE	1.6	2007.02 -		411241.82D ▲
2.0	MR20DE	2.0	2007.02 -		411241.82D ▲
SERENA (C23M)					
1.6	GA16DE	1.6	1994.10 - 2000.08		3478.82D
1.6 16V	GA16DE	1.6	1993.02 -		3478.82D
2.0 16V	SR20DE	2.0	1992.11 -		4635.76
2.0 D	LD20	2.0	1992.11 -		410176.82D0 ▲
2.3 D	LD23	2.3	1995.01 -		410176.82D0 ▲
SERENA (C2_)					
2.0 SGX	SR20DE	2.0	2000.09 -		4635.76
SILVIA (S110)					
1.8	L18E	1.8	1979.01 - 1983.05		3118.88D1
SILVIA (S12)					
2.0 GP	FJ20E	2.0	1984.04 - 1988.09		3118.82D1
STANZA (T11)					
1.6	CA16S	1.6	1981.08 - 1985.12		3118.82D1
1.8	CA18, CA18S	1.8	1981.08 - 1985.12		3118.82D1
1.8 SGL	CA18S	1.8	1983.03 - 1985.12		3118.82D1
SUNNY (140Y, 150Y)					
1.4	A14	1.4	1970.01 - 1982.02		3118.82D1
1.5	A15	1.5	1979.06 - 1982.02		3118.82D1
SUNNY I (B11)					
1.3	E13	1.3	1982.03 - 1990.08		3118.82D1
1.5	E15S	1.5	1982.03 - 1986.10		3118.82D1
SUNNY II (B12, N13)					
1.3	E13S	1.3	1986.06 - 1991.10		3118.82D1
1.4		1.4	1988.10 - 1990.09		4634.76
1.4 LX	GA14S	1.4	1988.10 - 1991.08		4634.76
1.5	E15S	1.5	1986.06 - 1988.10		3118.82D1
1.6	E16S, GA16DE, GA16S	1.6	1986.06 - 1990.09		3118.82D1
1.6 GTI 16V	CA16D	1.6	1987.02 - 1989.05		3118.88D1
1.6 i	E16i	1.6	1986.06 - 1990.10		3118.82D1

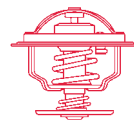


Thermostate
Thermostats
Thermostat

NISSAN

	Motor Engine Moteur	Ltr. Ltr. Ltr.	Jahr Year Année	Einschränkung Restriction* Restriction*	Thermostat Thermostat Thermostat
1.6 i 12V	GA16i	1.6	1986.06 - 1991.06		4634.76
1.8 GTI 16V	CA18D	1.8	1989.01 - 1991.06		3118.88D1
SUNNY III (N14)					
1.4	GA14DS	1.4	1990.10 - 1995.06		4634.76
1.4 i	GA14DE, GA14DS	1.4	1990.10 - 1995.05		4634.76
1.4 i 16V	GA14DE	1.4	1990.10 - 1995.06		3478.82D
1.5		1.5	1990.10 - 1995.05		4634.76
1.6	GA16DEL	1.6	1992.01 - 1995.06		4634.76
SUNNY III (Y10)					
1.6 16V	GA16DS	1.6	1990.11 - 1995.05		4634.76
SUNNY III (N14)					
1.6 i	GA16DE, GA16DEL, GA16DS	1.6	1990.10 - 1995.05		4634.76
1.6 i 16V	GA16DE, GA16DS	1.6	1990.10 - 1995.05		3478.82D
2.0 D	CD20	2.0	1990.10 - 1995.05		410176.88D0 ▲
2.0 GTI 16V	SR20DE	2.0	1990.10 - 1995.05		4635.76
2.0 GTI-R	SR20DET	2.0	1990.10 - 1995.05		4635.76
2.0 i 16V	SR20DE	2.0	1990.10 - 1995.05		4635.76
TERRANO I (WD21)					
2.7 TD	TD27T	2.7	1989.02 - 1996.02		4022.82D
TERRANO II (R20)					
2.4	KA24E	2.4	1996.05 - 2002.01		4635.76
2.4 i 12V	KA24E	2.4	1993.02 - 1996.06		4635.76
2.7 TD	TD27T	2.7	1993.02 - 2002.01		4022.82D
TIIDA (C11X, SC11X)					
1.6	HR 16 DE	1.6	2007.09 -		411241.82D ▲
URVAN (E23)					
2.0	Z20	2.0	1982.12 - 1988.11 1982.12 - 1988.11		3118.82D1 3118.88D1
URVAN (E24)					
2.0	Z20	2.0	1987.05 - 1997.05 1987.05 - 1997.05		3118.82D1 3118.88D1
VANETTE (KC120)					
1.5	A15	1.5	1983.01 - 1987.12		3118.82D1
VANETTE (C22)					
1.5	A15S	1.5	1986.10 - 1995.12		3118.82D1
VANETTE (HC 23)					
1.6 i	GA16DE	1.6	1995.01 -		3478.82D
X-TRAIL (T31)					
2.0	MR20DE	2.0	2007.03 -		411241.82D ▲

Thermostate
Thermostats
Thermostats



OPEL

	Motor Engine Moteur	Ltr. Ltr. Ltr.	Jahr Year Année	Einschränkung Restriction* Restriction*	Thermostat Thermostat Thermostat
AGILA					
1.3 CDTI	Z 13 DT	1.3	2003.08 -		410588.88D ▲
ANTARA					
2.4	Z 24 XE, Z 24 XED	2.4	2006.05 -		4189.87D
ARENA					
1.9 D	F8Q 600	1.9	1998.03 - 2001.08	Chassis No →C 019063	410530.89D ▲
			1998.03 - 2001.08	Chassis No C 019064→	3470.89D50
1.9 D	F8Q 606	1.9	1998.03 - 2001.08	Chassis No →C 004093	3470.89D50
			1998.03 - 2001.08	Chassis No C 004094→ →C 015185	410530.89D ▲
			1998.03 - 2001.08	Chassis No C 015186→	3470.89D50
2.5 D	S8U 758, S8U 780, S8U 782	2.5	1998.03 - 2001.08		4151.76D
ASCONA B					
1.2	12 N	1.2	1976.08 - 1979.02		3017.87D50
1.2 S	12 S	1.2	1975.09 - 1979.02		3017.87D50
1.3 N	13 N	1.3	1979.03 - 1981.08		3017.87D50
1.3 S	13 S	1.3	1979.08 - 1981.08		3017.87D50
1.6 N	16 N	1.6	1975.09 - 1981.08		3054.87D50
1.6 S	16 S	1.6	1975.09 - 1981.08	Motornummer →16S-687305	3054.92D50
			1975.09 - 1981.08	Motornummer 16S-687306→	3017.92D2
1.9 N	19 N	1.9	1976.08 - 1981.08	Motornummer →19N-517783	3054.92D50
			1976.08 - 1981.08	Motornummer 19N-517784→	3017.92D2
1.9 S	19 S	1.9	1975.09 - 1981.08		3054.87D50
2.0 D	20 D	2.0	1978.08 - 1981.08		4255.92D
2.0 E	20 E	2.0	1979.08 - 1981.08		4255.87D
2.0 N	20 N	2.0	1977.08 - 1981.08	Motornummer →20N-190247	3054.92D50
			1977.08 - 1981.08	Motornummer 20N-190248→	3017.92D2
2.0 S	20 S	2.0	1977.08 - 1981.08	Motornummer →20S-602835	3054.92D50
			1977.08 - 1981.08	Motornummer 20N-190248→	3017.92D2
ASCONA C					
1.3 N	13 N	1.3	1981.09 - 1986.08		3017.92D2
1.3 S	13 S	1.3	1981.09 - 1988.08		3017.92D2
1.6	16 N, 16 SV	1.6	1986.09 - 1988.08	16 SV	3017.92D2
			1981.09 - 1988.08	16 N	4164.92D
1.6 D	16 D, 16 DA	1.6	1982.03 - 1988.08		4115.92D
1.6 i	C 16 LZ, C 16 NZ, E 16 NZ	1.6	1986.09 - 1988.08		3017.92D2
1.6 S	16 SH	1.6	1981.09 - 1986.08		4164.92D
1.8	E 18 NV	1.8	1987.09 - 1988.08		4164.92D
1.8 E	C 18 NE, S 18 NV	1.8	1985.01 - 1986.08		4115.92D
1.8 i	18 E	1.8	1982.09 - 1986.08		4115.92D
2.0 i	20 NE, C 20 NE, C 20 NEF	2.0	1986.09 - 1988.08		4144.92D

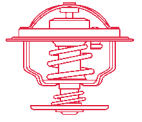


Thermostate
Thermostats
Thermostats

OPEL

	Motor Engine Moteur	Ltr. Ltr. Ltr.	Jahr Year Année	Einschränkung Restriction* Restriction*	Thermostat Thermostat Thermostat
2.0 i GT	20 SEH	2.0	1987.03 - 1988.08		4144.92D
ASTRA F					
1.4	14 NV, 14 SE	1.4	1991.09 - 1998.09		3017.92D2
1.4 i	C 14 NZ	1.4	1991.09 - 1999.01		3017.92D2
1.4 i 16V	X 14 XE	1.4	1996.01 - 2001.03		4178.92D
1.4 Si	C 14 SE	1.4	1992.03 - 2001.03		3017.92D2
1.6	16 LZ2, 16 NZR	1.6	1995.09 - 1998.09 1995.09 - 1998.09	16 NZR 16 LZ2 ohne Klimaanlage	3017.92D2 4168.92D
1.6 i	C 16 NZ, X 16 SZ, X 16 SZR	1.6	1991.09 - 2001.03		3017.92D2
1.6 i 16V	X 16 XEL	1.6	1994.08 - 1998.09		4178.92D
1.6 Si	C 16 SE	1.6	1992.03 - 1994.12		3017.92D2
1.7 D	17 D, 17 DR	1.7	1991.12 - 1999.01		4115.92D
1.7 TD	X 17 DTL	1.7	1994.08 - 1999.01		4115.92D
1.7 TDS	17 DT (TC4EE1), X 17 DT (TC4EE1)	1.7	1991.12 - 1998.09 1991.12 - 1998.09	Motornummer →731418 Motornummer 731419→	3468.88D 3467.85D
1.8	18 SE	1.8	1991.11 - 1993.07 1991.11 - 1993.07	ohne Gehäuse mit Gehäuse	4115.92D 4164.92D
1.8 i	C 18 NZ	1.8	1991.09 - 1998.09		4168.92D
1.8 i 16V	C 18 XE, C 18 XEL, X 18 XE	1.8	1993.06 - 2001.03 1993.06 - 2001.03	Chassis No →01458051 Chassis No 01458052→	4177.92D 4183.92D
2.0 GSI 16V	C 20 XE	2.0	1991.09 - 1998.01		4164.92D
2.0 i	C 20 NE	2.0	1991.09 - 1998.09		4168.92D
2.0 i 16V	C 20 XE, X 20 XEV	2.0	1993.03 - 1998.01 1995.02 - 1998.09	C 20 XE X 20 XEV	4164.92D 4183.92D
ASTRA F Classic					
1.2 i	X 12 XE	1.2	1998.03 - 2000.08		4459.92D
1.4	Z 14 XEP	1.4	2003.09 - 2005.01		4459.92D
1.4 i	X 14 NZ, X 14 XE	1.4	1998.01 - 2005.01 1998.03 - 2000.08	X 14 NZ X 14 XE	3017.92D2 4242.92D
1.6 i	X 16 SZR	1.6	1998.01 - 2005.01		3017.92D2
1.6 i 16V	X 16 XEL	1.6	1998.01 - 2005.01		4208.92D
2.0 Di	X 20 DTL	2.0	1998.03 - 2000.08		4198.92D
2.0 DTi	X 20 DTH	2.0	1999.08 - 2000.08 1999.08 - 2000.08 1999.08 - 2000.08	Y 20 DTH Motornummer →17B49754 Y 20 DTH Motornummer 17B49755→ →2(2/5/6/8/B/H) 999999 Y 20 DTH Motornummer 3(2/5/6/8/B/H) 999999→	4198.92D 4428.92D 4433.92D
2.0 i	X 20 XER, X 20 XEV	2.0	1998.03 - 2000.08		4183.92D
ASTRA G					
1.2 16V	X 12 XE, Z 12 XE	1.2	1998.02 - 2005.01		4459.92D
1.4 16V	X 14 XE, Z 14 XE	1.4	1998.02 - 2005.01 1998.02 - 2005.01	X 14 XE Z 14 XE	4208.92D 4242.92D
1.6	X 16 SZR, Z 16 SE, Z 16 XEP	1.6	1998.02 - 2005.04 2002.12 - 2005.10	X 16 SZR, Z 16 SE Z 16 XEP	3017.92D2 4431.105D ▲

Thermostate
Thermostats
Thermostats



OPEL

	Motor Engine Moteur	Ltr. Ltr. Ltr.	Jahr Year Année	Einschränkung Restriction* Restriction*	Thermostat Thermostat Thermostat
1.6 16V	X 16 XEL, Z 16 XE, Z 16 XEP	1.6	1998.02 - 2005.01 1998.02 - 2005.10 2000.03 - 2005.05	X 16 XEL Z 16 XE Z 16 XEP	4208.92D 4242.92D 4431.105D ▲
1.6 CNG	Z 16 YNG	1.6	2003.03 - 2004.07		4242.92D
1.7 TD	X 17 DTL	1.7	1998.02 - 2005.04		4115.92D
2.0 16V	X 20 XEV	2.0	1998.02 - 2005.01		4183.92D
2.0 16V OPC	X 20 XER	2.0	1999.11 - 2002.09		4183.92D
2.0 16V Turbo	Z 20 LER, Z 20 LET	2.0	2000.09 - 2005.10		4183.92D
2.0 DI	X 20 DTL, Y 20 DTL	2.0	1998.02 - 2005.04		4198.92D
2.0 DTI 16V	X 20 DTH, Y 20 DTH	2.0	1999.08 - 2005.01	Y 20 DTH Motornummer →17B49754	4198.92D
			1999.08 - 2005.01	Y 20 DTH Motornummer 17B49755→ →2(2/5/6/8/B/H) 999999	4428.92D
			1999.08 - 2005.01	Y 20 DTH Motornummer 3(2/5/6/8/B/H) 999999→	4433.92D
2.0 OPC	Z 20 LER, Z 20 LET	2.0	2002.03 - 2005.10		4183.92D
2.2 16V	Z 22 SE	2.2	2000.09 - 2005.10		411193.82D ▲
2.2 DTI	Y 22 DTR	2.2	2002.09 - 2005.10		4433.92D
ASTRA H					
1.3 CDTI	Z 13 DTH	1.3	2005.08 -		410048.88D ▲
1.4	Z 14 XEL, Z 14 XEP	1.4	2004.03 - 2004.10		4459.92D
1.6	Z 16 XE1, Z 16 XEP, Z 16 XER	1.6	2004.03 -		4431.105D ▲
1.6 Turbo	Z 16 LET	1.6	2007.02 -		4357.92D ▲
1.8	A 18 XER, Z 18 XER	1.8	2005.08 -		4431.105D ▲
1.9 CDTi	Z 19 DT, Z 19 DTH, Z 19 DTL	1.9	2004.06 -		410049.88D ▲
1.9 CDTi 16V	Z 19 DTJ	1.9	2004.04 -		410049.88D ▲
2.0 Turbo	Z 20 LEH, Z 20 LEL, Z 20 LER	2.0	2004.03 -		4183.92D
CALIBRA A					
2.0 i	C 20 NE	2.0	1990.06 - 1997.07		4144.92D
2.0 i 16V	C 20 XE, X 20 XEV	2.0	1990.06 - 1994.02 1994.02 - 1997.07	C 20 XE X 20 XEV	4164.92D 4183.92D
2.0 i Turbo	C 20 LET	2.0	1992.03 - 1997.07		4164.92D
2.5 i V6	C 25 XE, X 25 XE	2.5	1993.04 - 1997.07		4175.92D
COMBO					
1.2	C 12 NZ, X 12 SZ	1.2	1994.07 - 2001.10		3017.92D2
1.4	C 14 NZ, C 14 SE, X 14 SZ, Z 14 XEP	1.4	1994.07 - 2001.10 2004.10 -	C 14 NZ, C 14 SE, X 14 SZ Z 14 XEP	3017.92D2 4459.92D
1.4 16V	X 14 XE, Z 14 XEP	1.4	1999.08 - 2001.10 2005.08 -	X 14 XE Z 14 XEP	4178.92D 4459.92D
1.6	Z 16 SE	1.6	2001.10 -	Z 16 SE	3017.92D2
1.6 CNG	Z 16 YNG	1.6	2006.06 -		4242.92D
1.6 CNG 16V	Z 16 YNG	1.6	2006.06 -		4242.92D
1.7 D	17 D (4EE1), X 17 D (4EE1)	1.7	1994.07 - 2001.10	Motornummer →334922	3467.85D
COMMODORE B / C					
2.5	25 S	2.5	1972.01 - 1978.07		3054.87D50
2.5 E	25 E	2.5	1980.12 - 1982.12		4255.92D
2.5 GS	25 H	2.5	1972.01 - 1975.08		3054.87D50

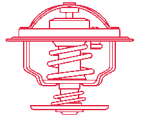


Thermostate
Thermostats
Thermostats

OPEL

	Motor Engine Moteur	Ltr. Ltr. Ltr.	Jahr Year Année	Einschränkung Restriction* Restriction*	Thermostat Thermostat Thermostat
2.5 S	25 S	2.5	1978.08 - 1982.12		3054.87D50
2.8 GS	28 HC	2.8	1972.01 - 1978.07		3054.87D50
2.8 GS/E	28 E, 28 EC, 28 HC	2.8	1975.03 - 1978.07 1972.07 - 1975.02		3054.87D50 4255.82D
CORSA A					
1.0	10 S	1.0	1982.09 - 1993.03		3017.92D2
1.2	12 NC, 12 S, 12 ST, E 12 GV	1.2	1982.09 - 1990.08		3017.92D2
1.2 i	C 12 NZ	1.2	1989.09 - 1993.03		3017.92D2
1.2 N	12 NC, 12 NV, E 12 GV	1.2	1985.01 - 1993.03		3017.92D2
1.2 S	12 S, 12 ST	1.2	1982.09 - 1993.03		3017.92D2
1.3	13 NB, 13 S, 13 SB, C 13 N	1.3	1982.09 - 1993.03		3017.92D2
1.3 i	C 13 N	1.3	1986.09 - 1990.09		3017.92D2
1.3 S	13 SB	1.3	1982.09 - 1989.10		3017.92D2
1.4 i	C 14 NZ	1.4	1985.01 - 1993.03		3017.92D2
1.4 S	14 NV	1.4	1989.09 - 1993.03		3017.92D2
1.4 Si	C 14 SE	1.4	1991.09 - 1993.03		3017.92D2
1.5 D	15 D (4EC1)	1.5	1987.06 - 1993.03		3468.88D
1.5 TD	15 DT (T4EC1)	1.5	1987.10 - 1993.03		3468.88D
1.6 GSI	C 16 NZ, C 16 SE, C 16 SEI, E 16 SE	1.6	1988.05 - 1993.03		3017.92D2
CORSA B					
1.0 i 12V	X 10 XE	1.0	1996.11 - 2000.09		4459.92D
1.2 i	12 NZ, C 12 NZ, X 12 SZ	1.2	1993.03 - 2000.09		3017.92D2
1.2 i 16V	X 12 XE	1.2	1998.03 - 2000.09		4459.92D
1.4	C 14 SE	1.4	1993.04 - 1994.08		3017.92D2
1.4 i	C 14 NZ, X 14 SZ	1.4	1993.03 - 2000.09		3017.92D2
1.4 i 16V	C 14 SEL, X 14 XE	1.4	1994.09 - 2000.09		4178.92D
1.4 Si	C 14 SE	1.4	1993.03 - 2000.09		3017.92D2
1.5 D	15 D (4EC1)	1.5	1993.03 - 2000.09	Motornummer →544012	3468.88D
			1993.03 - 2000.09	Motornummer 544013→	3467.85D
1.5 TD	15 DT (T4EC1), X 15 DT (T4EC1)	1.5	1993.03 - 2000.09	Motornummer →544012	3468.88D
			1993.03 - 2000.09	Motornummer 544013→	3467.85D
1.6 GSI 16V	C 16 XE	1.6	1993.03 - 2000.09		4178.92D
1.6 i 16V	C 16 SEL, X 16 XE	1.6	1994.09 - 2000.09		4178.92D
1.7 D	17 D (4EE1), X 17 D (4EE1)	1.7	1996.02 - 2000.09	Motornummer →334922	3467.85D
CORSA C					
1.0	Z 10 XE, Z 10 XEP	1.0	2000.09 -		4459.92D
1.2	Z 12 XE, Z 12 XEP	1.2	2000.09 -		4459.92D
1.2 16V	Z 12 XE	1.2	2000.09 -		4459.92D
1.2 Twinport	Z 12 XEP	1.2	2004.07 -		4459.92D
1.3 CDTI	Z 13 DT	1.3	2003.06 -		410588.88D ▲
1.4	Z 14 XE	1.4	2000.09 -		4242.92D
1.4 Twinport	Z 14 XEP	1.4	2003.06 -		4459.92D
CORSA D					
1.0	Z 10 XEP	1.0	2006.07 -		4459.92D
1.2	Z 12 XEP	1.2	2006.07 -		4459.92D
1.3 CDTI	A 13 DTC, Z 13 DTH, Z 13 DTJ	1.3	2006.07 -		410048.88D ▲
1.4 LPG	Z 14 XEP	1.4	2006.07 -		4459.92D
1.6 Turbo	A 16 LEL, A 16 LER, Z 16 LEL, Z 16 LER	1.6	2007.02 -		4357.92D ▲

Thermostate
Thermostats
Thermostats



OPEL

	Motor Engine Moteur	Ltr. Ltr. Ltr.	Jahr Year Année	Einschränkung Restriction* Restriction*	Thermostat Thermostat Thermostat
FRONTERA A					
2.0 i	C 20 NE, X 20 SE	2.0	1992.03 - 1998.10		4144.92D
2.2 i	X 22 XE	2.2	1995.03 - 1998.10		4177.92D
2.3 TD	23 DTR	2.3	1992.03 - 1998.10		4255.92D
2.4 i	C 24 NE	2.4	1992.03 - 1998.10		4255.92D
2.5 TDS	25TDS (VM41B)	2.5	1996.09 - 1998.10		4158.80D
FRONTERA B					
2.2 DTI	X 22 DTH, Y 22 DTH	2.2	1998.10 - 2002.09		4207.92D
2.2 i	X 22 SE, Y 22 SE	2.2	1998.10 -		4194.92D ▲
GT					
1.1	11 SR	1.1	1968.09 - 1970.12		3017.87D50
1.9	19 S	1.9	1968.09 - 1973.08		3054.87D50
2.0	LNF, Z 20 NHH	2.0	2007.06 -		411193.82D ▲
INSIGNIA					
1.6	A 16 XER	1.6	2008.07 -	Chassis No →91999999	4431.105D ▲
1.6 Turbo	A 16 LET	1.6	2008.07 -		4357.92D ▲
1.8	A 18 XER	1.8	2008.07 -	Chassis No →91999999	4431.105D ▲
KADETT D					
1.0	10 N, 10 S	1.0	1979.09 - 1984.08		3017.87D50
1.2	12 N, 12 ST	1.2	1979.08 - 1982.07 1979.08 - 1984.08	12 N 12 ST	3017.87D50 3017.92D50
1.2 S	12 S	1.2	1979.08 - 1984.08		3017.92D50
1.3 N	13 N, C 13 N	1.3	1979.08 - 1984.08		3017.92D50
1.3 S	13 S	1.3	1979.08 - 1984.08		3017.92D50
1.6 D	16 D	1.6	1982.03 - 1984.08		4115.92D
1.6 S	16 SH	1.6	1981.09 - 1984.08		3054.87D50
1.8 GT/E	18 E	1.8	1983.02 - 1984.08		4255.82D
KADETT E					
1.2	12 SC	1.2	1984.09 - 1986.07		3017.92D2
1.3 i	C 13 N	1.3	1985.09 - 1991.08		3017.92D2
1.3 N	13 N, 13 NB	1.3	1984.09 - 1991.08		3017.92D2
1.3 S	13 S	1.3	1984.09 - 1993.02		3017.92D2
1.4 i	C 14 NZ	1.4	1990.01 - 1994.07		3017.92D2
1.4 S	14 NV, C 14 SE	1.4	1989.07 - 1993.02		3017.92D2
1.5 TD	15 DT (T4EC1)	1.5	1988.07 - 1991.08		3468.88D
1.6	16 SV	1.6	1986.09 - 1991.12		3017.92D2
1.6 D	16 D, 16 DA	1.6	1984.08 - 1989.12		4115.92D
1.6 i	16 SV, C 16 LZ, C 16 NZ, E 16 NZ	1.6	1986.09 - 1994.07		3017.92D2
1.6 S	16 SH, 16 SV	1.6	1986.09 - 1991.08 1984.09 - 1986.08		3017.92D2 4115.92D
1.7 D	17 D, 17 DR	1.7	1988.08 - 1994.07		4115.92D
1.8	18 E	1.8	1987.09 - 1990.08		4115.92D
1.8 E	C 18 NE	1.8	1985.10 - 1986.08		4115.92D
1.8 GSI	18 E	1.8	1984.09 - 1986.08		4115.92D
1.8 i	18 E, C 18 NE, C 18 NT, C 18 NZ, S 18 NV	1.8	1984.08 - 1992.09 1985.06 - 1991.08 1984.09 - 1986.08	C 18 NT, C 18 NE C 18 NZ 18 E	4115.92D 4144.92D 4164.92D
1.8 S	E 18 NV, S 18 NV	1.8	1987.09 - 1991.08		4164.92D
2.0 GSI	20 NE, 20 SEH, C 20 NE	2.0	1986.09 - 1991.08		4164.92D
2.0 GSI 16V	20 XE, 20 XEJ, C 20 XE	2.0	1987.12 - 1991.08		4164.92D
2.0 i	20 NE, C 20 NE	2.0	1986.10 - 1993.02		4164.92D

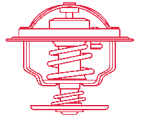


Thermostate
Thermostats
Thermostats

OPEL

	Motor Engine Moteur	Ltr. Ltr. Ltr.	Jahr Year Année	Einschränkung Restriction* Restriction*	Thermostat Thermostat Thermostat
MANTA B					
1.2 N	12 N	1.2	1976.08 - 1983.07		3017.87D50
1.2 S	12 S	1.2	1975.09 - 1979.02		3017.87D50
1.3 N	13 N	1.3	1979.03 - 1980.12 1979.03 - 1980.12		3017.87D50 3017.92D50
1.3 S	13 S	1.3	1979.08 - 1986.08		3017.92D50
1.6 N	16 N	1.6	1975.09 - 1980.12 1975.09 - 1980.12	Motornummer →16N-622327 Motornummer 16N-622328→	3054.92D50 3017.92D2
1.6 S	16 S	1.6	1975.09 - 1981.12 1975.09 - 1981.12	Motornummer →16S-687305 Motornummer 16S-687306→	3054.92D50 3017.92D2
1.8 S	18 S	1.8	1982.07 - 1987.08		4115.92D
1.9 E	19 E	1.9	1975.09 - 1977.08		4255.82D
1.9 N	19 N	1.9	1976.08 - 1981.12 1976.08 - 1981.12	Motornummer →19N-517783 Motornummer 19N-517784→	3054.92D50 3017.92D2
1.9 S	19 S	1.9	1975.09 - 1980.12		3054.87D50
2.0	20 N	2.0	1977.08 - 1980.12 1977.08 - 1980.12	Motornummer →20N-190247 Motornummer 20N-190248→	3054.92D50 3017.92D2
2.0 E	20 E	2.0	1977.08 - 1988.08		4255.87D
2.0 S	20 S	2.0	1977.08 - 1984.08 1977.08 - 1984.08	Motornummer →20S-602835 Motornummer 20S-602836→	3054.92D50 3017.92D2
MERIVA					
1.3 CDTI	Y 13 DT, Z 13 DT, Z 13 DTJ	1.3	2003.09 - 2010.05		410588.88D ▲
1.4 16V Twinport	Z 14 XEP	1.4	2004.07 - 2010.05		4459.92D
1.6	Z 16 SE, Z 16 XEP	1.6	2003.05 - 2010.05 2006.01 - 2010.05	Z 16 SE Z 16 XEP	3017.92D2 4431.105D ▲
1.6 16V	Z 16 XE	1.6	2003.05 - 2010.05		4242.92D
1.6 Turbo	Z 16 LET	1.6	2005.09 - 2010.05		4357.92D ▲
MONZA A					
2.0 E	H 20 E	2.0	1983.03 - 1984.10		4255.87D
2.2 E	22 E	2.2	1984.11 - 1986.08		4255.92D
2.5 E	25 E, H 25 E	2.5	1981.05 - 1986.08		4255.92D
2.8	28 H	2.8	1978.02 - 1981.04		3054.92D50
3.0	30 H	3.0	1978.04 - 1982.07		4255.92D
3.0 GSE	30 E, C 30 LE	3.0	1978.02 - 1986.08		4255.92D
MOVANO					
1.9 DTI	F9Q 770, F9Q 772, F9Q 774	1.9	2001.10 - 2000.09 - 2001.10	F9Q 772, F9Q 774 F9Q 770 Chassis No C000140→	410517.83D ▲ 3470.89D50
2.5 D	S8U 770, S8U 772	2.5	1998.07 - 2000.09		4174.79D
2.8 DTI	S9W 702	2.8	1998.07 - 2001.10		4174.79D
OMEGA A					
1.8	18 SEH, E 18 NVR	1.8	1986.09 - 1994.03		4144.92D
1.8 N	18 NV	1.8	1986.09 - 1987.08		4144.92D

Thermostate
Thermostats
Thermostats



OPEL

	Motor Engine Moteur	Ltr. Ltr. Ltr.	Jahr Year Année	Einschränkung Restriction* Restriction*	Thermostat Thermostat Thermostat
1.8 S	18 SV	1.8	1986.09 - 1994.03		4144.92D
2.0	20 SE, C 20 NEF, C 20 NEJ	2.0	1986.09 - 1994.03		4144.92D
2.0 i	C 20 NE, C 20 NEJ	2.0	1986.09 - 1994.03		4144.92D
2.3 D	23 YD	2.3	1986.09 - 1994.03		4255.92D
2.3 TD	23 YDT	2.3	1986.09 - 1988.08		4255.92D
2.3 TD Interc.	23 DTR	2.3	1988.08 - 1994.03		4255.92D
2.4 i	C 24 NE	2.4	1988.09 - 1994.03		4255.92D
2.6 i	C 26 NE	2.6	1990.09 - 1994.03		4255.92D
3.0	30 NE, C 30 NE	3.0	1987.03 - 1994.03		4255.92D
3.0 (3000)	30 NE, C 30 LE, C 30 NE	3.0	1987.03 - 1994.03		4255.92D
3.0 24V	C 30 SEJ	3.0	1989.09 - 1994.03		4255.92D
3.0 24V (3000)	C 30 SE, C 30 SEJ	3.0	1989.09 - 1994.03		4255.92D

OMEGA B

2.0	X 20 SE	2.0	1994.03 - 1999.09		4144.92D
2.0 16V	X 20 XEV	2.0	1994.03 - 1999.09		4183.92D
2.0 DTI 16V	X 20 DTH	2.0	1997.09 - 2000.09		4188.92D
2.2 16V	Y 22 XE, Z 22 XE	2.2	1999.09 - 2003.07		4183.92D
2.2 DTI 16V	Y 22 DTH	2.2	2000.09 - 2003.07		4188.92D
2.5 TD	25 DT, X 25 DT, X 25 TD	2.5	1994.04 - 2003.07		4237.80D
2.5 V6	X 25 XE	2.5	1994.03 - 2000.09		4175.92D
2.6 V6	Y 26 SE	2.6	2000.09 - 2003.07	WAHLER Motornummer →11 999 999	4175.92D
3.0 V6	X 30 XE	3.0	1994.04 - 2001.02		4175.92D
3.2 V6	Y 32 SE	3.2	2001.02 - 2003.07	WAHLER Motornummer →11 999 999	4175.92D

REKORD E

1.7	17 N	1.7	1977.09 - 1982.10	Motornummer →17N-440978	3054.87D50
			1977.09 - 1982.10	Motornummer 17N-440979→	3021.88D50
1.8	18 N	1.8	1982.11 - 1986.08		4115.92D
1.8 E	C 18 NV	1.8	1985.05 - 1986.08		4115.92D
1.8 S	18 S	1.8	1982.11 - 1986.08		4115.92D
1.9	19 N	1.9	1977.09 - 1982.10	Motornummer →19N-517783	3054.87D50
			1977.09 - 1982.10	Motornummer 19N-517784→	3021.88D50
2.0	20 N	2.0	1977.09 - 1982.10	Motornummer →20N-190247	3054.87D50
			1977.09 - 1982.10	Motornummer 20N-190248→	3021.88D50
2.0 D	20 D	2.0	1977.09 - 1982.10		4255.92D
2.0 E	20 E	2.0	1977.09 - 1984.10		4255.87D
2.0 S	20 S	2.0	1977.08 - 1986.08	Motornummer →20S-602835	3054.87D50
			1977.08 - 1986.08	Motornummer 20S-602836→	3021.88D50
2.1 D	21 D	2.1	1977.09 - 1978.07		4255.92D
2.2 D	23 D	2.2	1978.08 - 1986.08		4255.92D
2.2 E	22 E	2.2	1984.11 - 1986.08		4255.92D
2.2 TD	23 TD	2.2	1984.06 - 1986.08		4255.92D
2.3 D	23 D	2.3	1982.11 - 1986.08		4255.92D

SENATOR

2.0 E	H 20 E	2.0	1983.03 - 1984.10		4255.87D
-------	--------	-----	-------------------	--	----------

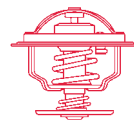


Thermostate
Thermostats
Thermostats

OPEL

	Motor Engine Moteur	Ltr. Ltr. Ltr.	Jahr Year Année	Einschränkung Restriction* Restriction*	Thermostat Thermostat Thermostat
2.2 E	22 E	2.2	1984.11 - 1987.08		4255.87D
2.2 TD	23 TD	2.2	1984.11 - 1987.08		4255.92D
2.5	25 S	2.5	1978.05 - 1980.12		3054.92D50
2.5 E	25 E, H 25 E	2.5	1983.01 - 1987.08		4255.87D
2.5 i	25 NE	2.5	1990.09 - 1993.09		4255.92D
2.6 i	C 26 NE	2.6	1990.09 - 1993.09		4255.92D
2.8	28 H	2.8	1978.02 - 1981.04		3054.92D50
3.0	30 H, 30 NE, C 30 LE	3.0	1978.04 - 1993.09		4255.92D
3.0 24V	C 30 SE	3.0	1989.09 - 1993.09		4255.92D
3.0 E	30 E	3.0	1978.02 - 1986.12		4255.92D
3.0 i	C 30 NE	3.0	1988.01 - 1993.09		4255.92D
SIGNUM					
1.8	Z 18 XER	1.8	2005.09 -		4431.105D ▲
1.9 CDTI	Z 19 DT, Z 19 DTH	1.9	2004.04 -		410049.88D ▲
2.0 DTI	Y 20 DTH	2.0	2003.05 -		4297.92D
2.0 Turbo	Z 20 NET	2.0	2003.05 -		411193.82D ▲
2.2 direct	Z 22 YH	2.2	2003.05 -		411193.82D ▲
2.2 DTI	Y 22 DTR	2.2	2003.05 -		4297.92D
SINTRA					
2.2 DTI	X 22 DTH	2.2	1997.07 - 1999.04		4192.92D
2.2 i 16V	X 22 XE	2.2	1996.11 - 1999.04		4183.92D
3.0 i 24V	X 30 XE	3.0	1996.11 - 1999.04		4175.92D
SPEEDSTER					
2.0 Turbo	Z 20 LET	2.0	2003.04 -		4183.92D
2.2	Z 22 SE	2.2	2000.09 -		411193.82D ▲
TIGRA					
1.4 16V	X 14 XE	1.4	1994.07 - 2000.12		4178.92D
1.6 16V	C 16 SEL, X 16 XE	1.6	1994.07 - 1998.08		4178.92D
TIGRA TwinTop					
1.3 CDTI	Z 13 DT	1.3	2004.06 -		410588.88D ▲
1.4	Z 14 XEP	1.4	2004.06 -		4459.92D
VECTRA A					
1.4 S	14 NV	1.4	1988.04 - 1992.06		3017.92D2
1.6	16 SV, C 16 LZ2	1.6	1988.08 - 1994.06		3017.92D2
1.6 i	16 LZ2, C 16 NZ, C 16 NZ2, E 16 NZ, X 16 SZ	1.6	1988.09 - 1995.11 1988.09 - 1995.11 1993.09 - 1995.11	C 16 NZ, E 16 NZ, X 16 SZ C 16 NZ2 16 LZ2 ohne Klimaanlage	3017.92D2 4144.82D 4168.92D
1.6 S	16 SV	1.6	1988.09 - 1993.05		3017.92D2
1.7 D	17 D, 17 DR	1.7	1988.09 - 1995.11		4115.92D
1.7 TD	17 DT (TC4EE1), X 17 DT (TC4EE1)	1.7	1990.03 - 1995.11 1990.03 - 1995.11	Motornummer →731418 Motornummer 731419→	3468.88D 3467.85D
1.8 i	18 SV, C 18 NZ	1.8	1988.09 - 1995.11		4144.92D
1.8 S	18 SV, E 18 NVR	1.8	1988.09 - 1990.10		4144.92D
2.0	C 20 NEF, C 20 XE	2.0	1988.04 - 1989.09 1989.08 - 1995.08	C 20 NEF C 20 XE	4144.92D 4164.92D
2.0 i	20 NE, 20 SEH, C 20 NE	2.0	1988.09 - 1995.11		4144.92D
2.0 i 16V	20 XEJ, C 20 XE, X 20 XEV	2.0	1989.02 - 1995.11 1994.06 - 1995.11	C 20 XE, 20 XEJ X 20 XEV	4164.92D 4183.92D
2.0 i GT	20 SEH	2.0	1988.09 - 1995.11		4144.92D

Thermostate
Thermostats
Thermostats



OPEL

	Motor Engine Moteur	Ltr. Ltr. Ltr.	Jahr Year Année	Einschränkung Restriction* Restriction*	Thermostat Thermostat Thermostat
2.0 i Turbo	C 20 LET	2.0	1994.06 - 1995.11		4164.92D
2.5 CD	C 25 XE	2.5	1992.08 - 1995.08		4175.92D
2.5 V6	C 25 XE	2.5	1993.02 - 1995.11		4175.92D
2000 16V	20 XEJ	2.0	1989.01 - 1990.10		4164.92D
2000/GT 16V	20 XEJ, C 20 XE	2.0	1989.01 - 1995.11		4164.92D
VECTRA B					
1.6 GL	16 SV	1.6	1995.09 - 1996.08		3017.92D2
1.6 i	16 LZ2, X 16 SZR	1.6	1995.10 - 2003.07	X 16 SZR	3017.92D2
			1995.10 - 2003.07	16 LZ2	4144.82D
1.6 i 16V	X 16 XEL, Y 16 XE, Z 16 XE	1.6	1995.10 - 2002.07	X 16 XEL	4178.92D
			1995.10 - 2002.07	Y 16 XE, Z 16 XE	4242.92D
1.7 TD	X 17 DT (TC4EE1)	1.7	1995.10 - 1998.12		3467.85D
1.8 i 16V	X 18 XE	1.8	1995.10 - 2000.09		4183.92D
2.0 DI 16V	X 20 DTL	2.0	1996.11 - 2002.04		4188.92D
2.0 DTI 16V	X 20 DTH, Y 20 DTH	2.0	1997.06 - 2003.07		4201.92D
2.0 i 16V	C 20 SEL, X 20 XEV	2.0	1995.10 - 2000.09		4183.92D
2.2 DTI 16V	Y 22 DTR	2.2	2000.09 - 2003.07		4201.92D
2.2 i 16V	Z 22 SE	2.2	2000.09 - 2003.07		411193.82D ▲
2.5 i V6	X 25 XE	2.5	1995.10 - 2000.09		4175.92D
2.6 i V6	Y 26 SE	2.6	2000.09 - 2003.07	WAHLER Motornummer →11162841 / 17080724	4175.92D
i 500 2.5	X 25 XE	2.5	1998.05 - 2000.09		4175.92D
VECTRA C					
1.6	Z 16 XE, Z 16 XEP	1.6	2005.08 - 2006.01 -	Z 16 XE Z 16 XEP	4242.92D 4431.105D ▲
1.6 16V	Z 16 XE	1.6	2004.06 -		4242.92D
1.8	Z 18 XER	1.8	2006.01 -		4431.105D ▲
1.9 CDTI	Z 19 DT, Z 19 DTH, Z 19 DTL	1.9	2004.04 -		410049.88D ▲
2.0 16V Turbo	Z 20 NET	2.0	2003.03 -		411193.82D ▲
2.0 DTI	Y 20 DTH	2.0	2003.10 -		4297.92D
2.0 DTI 16V	Y 20 DTH	2.0	2002.04 -		4297.92D
2.0 Turbo	Z 20 NET	2.0	2003.10 -		411193.82D ▲
2.2 16V	Z 22 SE	2.2	2002.04 -		411193.82D ▲
2.2 direct	Z 22 YH	2.2	2003.10 -		411193.82D ▲
2.2 DTI	Y 22 DTR	2.2	2003.10 -		4297.92D
2.2 DTI 16V	Y 22 DTR	2.2	2002.04 -		4297.92D
VIVARO					
1.9 DI	F9Q 762, F9Q 774	1.9	2001.08 -		410517.83D ▲
1.9 DTI	F9Q 760	1.9	2001.08 -		410517.83D ▲
2.0 16V	F4R 720	2.0	2001.08 -		3466.89D
ZAFIRA A					
1.6	Z 16 YNG	1.6	2002.09 - 2005.06		4242.92D
1.6 16V	X 16 XEL, Z 16 XE	1.6	1999.04 - 2005.06	X 16 XEL	4208.92D
			1999.04 - 2005.06	Z 16 XE	4242.92D
1.6 CNG	Z 16 YNG	1.6	2001.09 - 2005.06		4242.92D
2.0 DI 16V	X 20 DTL	2.0	1999.10 - 2005.06		4198.92D

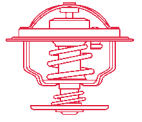


Thermostate
Thermostats
Thermostats

OPEL

	Motor Engine Moteur	Ltr. Ltr. Ltr.	Jahr Year Année	Einschränkung Restriction* Restriction*	Thermostat Thermostat Thermostat
2.0 DTI 16V	Y 20 DTH	2.0	2000.09 - 2005.06	Motornummer →17B49754	4198.92D
			2000.09 - 2005.06	Motornummer 17B49755→ →2(2/5/6/8/B/H) 999999	4428.92D
			2000.09 - 2005.06	Motornummer 3(2/5/6/8/B/H) 999999→	4433.92D
2.0 OPC	Z 20 LER, Z 20 LET	2.0	2001.09 - 2005.06		4183.92D
2.2 16V	Z 22 SE	2.2	2000.09 - 2005.06		411193.82D ▲
2.2 DTI 16V	Y 22 DTR	2.2	2002.01 - 2005.06		4433.92D
ZAFIRA B					
1.6 CNG Turbo	A 16 XNT, Z 16 XNT	1.6	2009.02 -		4357.92D ▲
1.8	A 18 XER, Z 18 XEP, Z 18 XER	1.8	2005.07 -	A 18 XER, Z 18 XER	4431.105D ▲
1.9 CDTI	Z 19 DT, Z 19 DTH, Z 19 DTL	1.9	2005.07 -		410049.88D ▲
1:6	A 16 XER, Z 16 XE1, Z 16 XEP, Z 16 XER, Z 16 YNG	1.6	2005.07 -		4431.105D ▲
2.0	Z 20 LEH, Z 20 LER	2.0	2005.07 -		4183.92D
2.2	Z 22 YH	2.2	2005.07 -		411193.82D ▲
ZAFIRA Van					
1.6 CNG Turbo	A 16 XNT, Z 16 XNT	1.6	2009.02 -		4357.92D ▲
1.8	A 18 XER, Z 18 XEP, Z 18 XER	1.8	2005.07 -	A 18 XER, Z 18 XER	4431.105D ▲

Thermostate
Thermostats
Thermostats



PEUGEOT

	Motor Engine Moteur	Ltr. Ltr. Ltr.	Jahr Year Année	Einschränkung Restriction* Restriction*	Thermostat Thermostat Thermostat
104					
0.9	108 (XV3), 108 (XV5)	0.9	1972.10 - 1983.10		3136.88D50
1.0	108C (XV8)	1.0	1983.09 - 1988.06		3136.82D50
1.1	109 (XW3), 109F (XW7), 121 (XW3S), XW3S	1.1	1975.08 - 1988.06 1973.09 - 1979.09		3136.82D50 3136.88D50
1.2	129 (XZ5)	1.2	1979.08 - 1983.06		3136.82D50
1.4	150 (XY6B)	1.4	1979.08 - 1984.06		3136.82D50
106 I					
1.0	CDY (TU9M), CDZ (TU9M), TU9	1.0	1991.09 - 1996.04		3136.88D50
1.1	HDZ (TU1M)	1.1	1991.09 - 1996.04		3136.88D50
1.3	TU2J2	1.3	1993.10 - 1996.04		3136.82D50
1.4	KDX (TU3MC), KDY (TU3M), KFZ (TU3J2/Z), TU 3	1.4	1991.08 - 1996.04		3136.88D50
1.4 D	K9Y (TUD3Y)	1.4	1992.09 - 1996.04		4821.89D
1.5 D	VJY (TUD5)	1.5	1994.06 - 1996.04		4821.89D
1.6	NFY (TU5J2), NFZ (TU5JP)	1.6	1993.06 - 1996.04		3136.88D50
106 II					
1.0 i	CDY (TU9M), CDZ (TU9M)	1.0	1996.05 -		3136.88D50
1.1		1.1	2000.09 - 2002.10		3136.88D50
1.1 i	HDY (TU1M), HDZ (TU1M), HFX (TU1JP)	1.1	1996.05 - 1996.05 -	TU1M TU1JP	3136.88D50 410184.89D ▲
1.4 i	KFW (TU3JP), KFX (TU3JP)	1.4	1996.05 - 1996.05 -	Organisationsnr. →O 08210 Organisationsnr. O 08211→	3136.88D50 410184.89D ▲
1.5 D	VJX (TUD5), VJY (TUD5)	1.5	1996.05 -		4821.89D
1.6 i	NFW (TU5J2), NFY (TU5J2), NFZ (TU5JP)	1.6	1996.05 -	Organisationsnr. →O 08210	3136.88D50
1.6 S16	NFX (TU5J4)	1.6	1996.05 -		3136.88D50
205 I					
1.0	108C (XV8)	1.0	1983.02 - 1987.10		3136.82D50
1.1	109F (XW7), 109N (XW7)	1.1	1983.02 - 1987.10		3136.82D50
1.1 CJ	HDZ (TU1M)	1.1	1989.10 - 1994.12		3136.88D50
1.4	150 (XY6B), 150B (XY8), 150D (XY7), 150G (XY7), 150H (XY8)	1.4	1983.02 - 1987.10		3136.82D50
1.4 CJ	150D (XY7), 150G (XY7), K1D (TU3A), KAY (TU3CP), KDY (TU3M), KDZ (TU3M)	1.4	1988.03 - 1989.05 1989.01 - 1994.12		3136.82D50 3136.88D50
1.4 CT	150B (XY8), 150H (XY8)	1.4	1986.04 - 1988.12		3136.82D50
1.6	B1A (XU51C), B1E (XU51C), BAZ (XU5CP)	1.6	1986.08 - 1987.10		3136.82D50
1.6 CJ	BDY (XU5M3Z)	1.6	1992.08 - 1994.12		3136.88D50
1.6 CTI	180A (XU5J), 180Z (XU5J)	1.6	1986.04 - 1990.10 1986.04 - 1990.10		3136.82D50 3136.88D50
1.6 GTI	180A (XU5J)	1.6	1984.12 - 1987.10 1984.12 - 1987.10		3136.82D50 3136.88D50
1.7 Diesel	161A (XUD7)	1.7	1983.08 - 1987.10		4147.80D
1.9 CTI	DFZ (XU9J1)	1.9	1987.10 - 1990.12		3136.82D50
1.9 GTI	D6B (XU9JA (ohne KAT)), DFZ (XU9J1)	1.9	1986.10 - 1987.10		3136.82D50
205 II					
1.0	TU9	1.0	1987.10 - 1998.09		3136.88D50
1.1	109N (XW7), H1B (TU1), HDZ (TU1M)	1.1	1987.10 - 1990.10 1987.10 - 1998.09		3136.82D50 3136.88D50

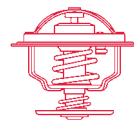


Thermostate
Thermostats
Thermostats

PEUGEOT

	Motor Engine Moteur	Ltr. Ltr. Ltr.	Jahr Year Année	Einschränkung Restriction* Restriction*	Thermostat Thermostat Thermostat
1.3 Rallye	TU24	1.3	1987.10 - 1990.10		3136.88D50
1.4	150 (XY6B), 150B (XY8), 150D (XY7), 150G (XY7), 150H (XY8), K1D (TU3A), K2B (TU3S), KAY (TU3CP), KDY (TU3M), KDZ (TU3M), KFX (TU3JP)	1.4	1987.01 - 1989.12 1987.06 - 1998.09		3136.82D50 3136.88D50
1.6	B1A (XU51C), B1E (XU51C), BAZ (XU5CP), BDY (XU5M2Z), BDY (XU5M3Z)	1.6	1987.10 - 1990.12 1992.01 - 1998.09		3136.82D50 3136.88D50
1.6 GTI	180A (XU5J), 180Z (XU5J)	1.6	1987.10 - 1989.12 1987.10 - 1989.12		3136.82D50 3136.88D50
1.7 Diesel	161A (XUD7)	1.7	1987.07 - 1998.09		4147.80D
1.7 TD	A8B (XUD7TE)	1.7	1990.01 - 1992.05 1992.06 - 1998.09		4147.80D 4446.83D
1.9 Diesel	DJZ (XUD9Y), XUD9	1.9	1987.08 - 1992.05 1992.06 - 1998.09		4147.80D 4446.83D
1.9 GTI	D2A (XU92C), D6B (XU9JA (G-KAT)), DFZ (XU9J1), DKZ (XU9JAZ)	1.9	1987.10 - 1998.09 1987.10 - 1998.09		3136.82D50 3136.88D50
205 Kasten					
1.7 Diesel	161A (XUD7)	1.7	1994.03 -		4446.83D
206					
1.1	HFX (TU1JP)	1.1	2002.07 -		3463.89D
1.1 i	HFX (TU1JP), HFZ (TU1JP)	1.1	1998.09 -	Organisationsnr. 08030→	3463.89D
1.4	KFW (TU3JP)	1.4	2002.07 - 2007.03 -	Organisationsnr. →10373 Organisationsnr. 10374→	3463.89D 410705.89D ▲
1.4 16V	KFU (ET3J4)	1.4	2003.10 - 2003.10 -	Organisationsnr. →10373 Organisationsnr. 10374→	3463.89D 410705.89D ▲
1.4 i	KFW (TU3JP), KFX (TU3JP)	1.4	1998.09 -		3463.89D
1.6 16V	NFU (TU5JP4)	1.6	2000.09 - 2000.09 -	Organisationsnr. →10401 Organisationsnr. 10402→	3463.89D 410705.89D ▲
1.6 i	NFZ (TU5JP)	1.6	1998.09 - 2000.12		3463.89D
1.9 D	WJZ (DW8)	1.9	1998.09 - 2001.11		4446.83D
2.0 16V	RFN (EW10J4)	2.0	2002.07 -		3483.89D
2.0 HDi	RHY (DW10TD)	2.0	2002.07 -		4446.83D
2.0 HDI 90	RHY (DW10TD)	2.0	1999.12 -		4446.83D
2.0 RC	RFK (EW10J4S)	2.0	2003.07 -		3483.89D
2.0 S16	RFN (EW10J4), RFR (DEW10J4)	2.0	1999.04 - 2000.10		3483.89D
206 +					
1.1	HFX (TU1JP)	1.1	2009.01 -		3463.89D
1.4 i	KFV (TU3A), KFW (TU3A)	1.4	2009.01 -		3463.89D
207					
1.4 16V	KFU (ET3J4)	1.4	2006.02 -		410705.89D ▲
1.6 16V	NFU (TU5JP4)	1.6	2006.02 -		410705.89D ▲

Thermostate
Thermostats
Thermostats



PEUGEOT

	Motor Engine Moteur	Ltr. Ltr. Ltr.	Jahr Year Année	Einschränkung Restriction* Restriction*	Thermostat Thermostat Thermostat
305					
1.3	118 (XL5), XL5	1.3	1977.11 - 1986.08 1977.11 - 1986.08		3061.82 3061.88
1.5	117 (XR5S), 142 (XR5), 142 (XR5A)	1.5	1979.11 - 1990.07		3136.82D50
1.5 Diesel	149 (XID)	1.5	1977.11 - 1982.09		4147.80D
1.6	171 (XU5S), B1A (XU51C), BAZ (XU5CP)	1.6	1982.10 - 1988.12 1982.10 - 1988.06		3136.82D50 3136.88D50
1.9	159 (XU9S), DFZ (XU9J1)	1.9	1982.10 - 1988.12		3136.82D50
1.9 D	162 (XUD9), D9A (XUD9)	1.9	1982.10 - 1988.07		4147.80D
1.9 Diesel	162 (XUD9), D9A (XUD9)	1.9	1982.10 - 1988.12		4147.80D
306					
1.1	HDZ (TU1M)	1.1	1993.05 - 2001.05		3136.88D50
1.4	KDX (TU3MC), KFW (TU3JP), KFX (TU3JP)	1.4	1993.05 - 2002.04 1993.05 - 2001.05	Organisationsnr. →O 08210 Organisationsnr. O 08211→	3136.88D50 410184.89D ▲
1.6	NFT, NFZ (TU5JP)	1.6	2000.10 - 2002.04 1993.05 - 2000.10 1993.05 - 2000.10	NFT TU5JP Organisationsnr. →O 08210 TU5JP Organisationsnr. O 08211→	3463.89D 3136.88D50 410184.89D ▲
1.8	LFZ (XU7JP)	1.8	1996.08 - 2002.04 1993.05 - 1996.07		3136.82D50 3136.88D50
1.8 16V	LFY (XU7JP4)	1.8	1997.03 - 2002.04		4450.83D
1.8 D	A9A (XUD7)	1.8	1993.05 - 2001.05		4446.83D
1.9 D	DHV (XUD9BSD), DJY (XUD9A), DJZ (XUD9Y), WJY (DW8B), WJZ (DW8)	1.9	1993.05 - 2002.04		4446.83D
1.9 DT	DHY (XUD9TE)	1.9	1993.05 - 2001.05		4446.83D
1.9 SLD	DJY (XUD9A), DJZ (XUD9Y)	1.9	1994.06 - 2001.05		4446.83D
1.9 SRDT	DHY (XUD9TE)	1.9	1994.06 - 2001.05		4446.83D
1.9 TD	DHY (XUD9TE)	1.9	1997.02 - 2002.04		4450.83D
2.0	RFV (XU10J4R), RFX (XU10J2)	2.0	1994.03 - 2002.04 1994.03 - 2002.04 1997.03 - 2002.04	XU10J2 Automatikgetriebe XU10J2 Schaltgetriebe XU10J4R	3136.82D50 3136.88D50 4450.83D
2.0 16V	RFV (XU10J4R)	2.0	1997.03 - 2002.04		4450.83D
2.0 HDI 90	RHY (DW10TD)	2.0	1999.06 - 2002.04		4446.83D
2.0 S16	RFS (XU10J4RS), RFT (XU10J4), RFY (XU10J4Z)	2.0	1996.03 - 2001.05 1993.05 - 2001.05		4450.83D 4450.89D
2.0 XSi	RFX (XU10J2)	2.0	1993.05 - 2001.05 1993.05 - 2001.05	Automatikgetriebe Schaltgetriebe	3136.82D50 3136.88D50
307					
1.4	KFW (TU3JP), TU 3 JP	1.4	2000.08 - 2003.09		3463.89D
1.4 16V	KFU (ET3J4)	1.4	2003.11 - 2003.11 -	Organisationsnr. →10436 Organisationsnr. 10437→	3463.89D 410705.89D ▲
1.6 16V	NFU (TU5JP4)	1.6	2000.08 - 2000.08 -	Organisationsnr. →10436 Organisationsnr. 10437→	3463.89D 410705.89D ▲
2.0	RFN (EW10J4)	2.0	2002.03 -		3483.89D

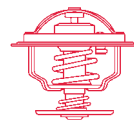


Thermostate
Thermostats
Thermostats

PEUGEOT

	Motor Engine Moteur	Ltr. Ltr. Ltr.	Jahr Year Année	Einschränkung Restriction* Restriction*	Thermostat Thermostat Thermostat
2.0 16V	RFK (EW10J4S), RFN (EW10J4)	2.0	2000.08 -		3483.89D
2.0 HDI 110	RHS (DW10ATED)	2.0	2000.08 -		4446.83D
2.0 HDI 90	RHY (DW10TD)	2.0	2000.08 -		4446.83D
309					
1.1	H1B (TU1), HDZ (TU1M)	1.1	1989.09 - 1993.12		3136.88D50
1.4	K1D (TU3A), K2B (TU3S), KDY (TU3M), KDZ (TU3M)	1.4	1989.03 - 1993.12		3136.88D50
1.6	180Z (XU5J), B1A (XU51C), B1E (XU51C), B2A (XU52C/K), B6B (XU5J), BAZ (XU5CP), BDY (XU5M2Z), BDY (XU5M3Z), BDZ (XU5M)	1.6	1985.10 - 1993.12 1985.10 - 1993.12		3136.82D50 3136.88D50
1.8 Diesel	161A (XUD7)	1.8	1989.07 - 1992.05 1992.06 - 1993.12		4147.80D 4446.83D
1.8 TD	A8B (XUD7TE)	1.8	1989.08 - 1992.05 1992.06 - 1993.12		4147.80D 4446.83D
1.9	D2B (XU9S), DDZ (XU9M), DFZ (XU9J1)	1.9	1985.10 - 1993.12 1989.08 - 1993.12		3136.82D50 3136.88D50
1.9 D	162 (XUD9), D9A (XUD9)	1.9	1986.06 - 1989.07		4147.80D
1.9 Diesel	162 (XUD9), D9A (XUD9), DJZ (XUD9Y)	1.9	1989.07 - 1992.05 1992.06 - 1993.12		4147.80D 4446.83D
1.9 GTI	D6B (XU9JA (G-KAT)), DKZ (XU9JAZ)	1.9	1986.10 - 1993.12 1989.07 - 1993.12		3136.82D50 3136.88D50
405 I					
1.4	TU 3	1.4	1987.01 - 1992.07		3136.88D50
1.6	B1E (XU51C), B2A (XU52C/K), BAZ (XU5CP), BDY (XU5M2Z), BDY (XU5M3Z), BDZ (XU5M)	1.6	1987.01 - 1992.12 1987.01 - 1992.12		3136.82D50 3136.88D50
1.8 TD	A8A (XUD7TE), AJZ (XUD7TEY)	1.8	1988.10 - 1991.04		4147.80D
1.8 Turbo Diesel	A8A (XUD7TE), AJZ (XUD7TEY)	1.8	1988.03 - 1991.04 1991.05 - 1992.12		4147.80D 4446.83D
1.9	D2C (XU92C (U-KAT)), D6C (XU9J4), DDZ (XU9M), DFZ (XU9J1), DKZ (XU9JAZ)	1.9	1987.06 - 1993.12 1987.06 - 1993.12		3136.82D50 3136.88D50
1.9 D	D9B (XUD9A), DJY (XUD9A), DJZ (XUD9Y)	1.9	1988.10 - 1992.08		4147.80D
1.9 Diesel	D9B (XUD9A), DJZ (XUD9Y)	1.9	1988.03 - 1992.12		4147.80D
405 II					
1.4	KDX (TU3MC)	1.4	1992.08 - 1996.10		3136.88D50
1.6	BDY (XU5M2Z), BDY (XU5M3Z), BDZ (XU5M), BFZ (XU5JP)	1.6	1992.08 - 1996.10 1992.08 - 1996.10	Automatikgetriebe Schaltgetriebe	3136.82D50 3136.88D50
1.8	LFZ (XU7JP)	1.8	1992.08 - 1996.10 1992.08 - 1996.10	Automatikgetriebe Schaltgetriebe	3136.82D50 3136.88D50
1.9 D	DJY (XUD9A), DJZ (XUD9Y)	1.9	1992.08 - 1996.10		4446.83D
1.9 TD	DHY (XUD9TE)	1.9	1992.08 - 1996.10		4446.83D
2.0	RFX (XU10J2)	2.0	1992.08 - 1996.10 1992.08 - 1996.10	Automatikgetriebe Schaltgetriebe	3136.82D50 3136.88D50
2.0 X4	RFX (XU10J2)	2.0	1992.08 - 1995.10 1992.08 - 1995.10	Automatikgetriebe Schaltgetriebe	3136.82D50 3136.88D50
2.0 16V	RFT (XU10J4)	2.0	1994.06 - 1995.10		4450.89D
2.0 MI-16	RFY (XU10J4Z)	2.0	1992.08 - 1995.10		4450.89D
2.0 T 16 X4	RGZ (XU10J4TE/Z)	2.0	1992.08 - 1995.10		4450.89D
406					
1.6	BFZ (XU5JP)	1.6	1995.11 - 2004.05		3136.82D50
1.8	LFX (XU7JB)	1.8	1997.05 - 2004.10		3136.82D50

Thermostate
Thermostats
Thermostats



PEUGEOT

	Motor Engine Moteur	Ltr. Ltr. Ltr.	Jahr Year Année	Einschränkung Restriction* Restriction*	Thermostat Thermostat Thermostat
1.8 16V	6FZ (EW7J4), LFY (XU7JP4)	1.8	2000.10 - 2004.10 1995.11 - 2000.10		3483.89D 4450.83D
1.9 D	DHW (XUD9SD)	1.9	1996.10 - 2004.10		4446.83D
1.9 TD	DHX (XUD9TE), DHY (XUD9TE)	1.9	1996.01 - 2004.10		4446.83D
2.0 16V	RFN (EW10J4), RFR (DEW10J4), RFV (XU10J4R)	2.0	1999.01 - 2004.12 1995.11 - 2004.12	DEW, EW XU	3483.89D 4450.83D
2.0 16V HPi	RLZ (EW10D)	2.0	2001.05 - 2004.10		3483.89D
2.0 HDI 110	RHS (DW10ATED), RHZ (DW10ATED)	2.0	1998.06 - 2004.10		4446.83D
2.0 HDI 90	RHY (DW10TD)	2.0	1999.02 - 2004.10		4446.83D
2.0 Turbo	RGX (XU10J2TE)	2.0	1996.04 - 2004.10		3136.82D50
2.1 TD 12V	P8C (XUD11BTE)	2.1	1996.01 - 2004.10 1996.01 - 2004.10		4447.80D 4447.85D
2.2	3FZ (EW12J4)	2.2	2000.07 - 2004.12		3483.89D
2.2 HDI	4HX (DW12TED4/FAP)	2.2	2000.03 - 2004.12		4446.83D
407					
1.8	6FZ (EW7J4)	1.8	2004.05 -		3483.89D
2.0	RFN (EW10J4)	2.0	2004.05 -		3483.89D
2.0 HDi 135	RHR (DW10BTED4)	2.0	2004.05 -		4446.83D
2.2	3FZ (EW12J4)	2.2	2004.05 -		3483.89D
2.2 16V	3FY (EW12J4)	2.2	2005.09 -		3483.89D
504					
1.6	XC7P	1.6	1980.01 - 1987.06		3053.75
1.8	XM, XM7	1.8	1968.07 - 1989.12		3053.75
1.8 Injection	KF5, KF6	1.8	1968.07 - 1971.02		3053.75
1.9 D	XD4x88	1.9	1973.03 - 1989.12		3053.75
2.0	106 (XN1), 107 (XN2), XN1	2.0	1971.04 - 1986.07 1971.03 - 1986.06 1971.03 - 1986.06		3053.75 3061.82 3061.88
2.0 TI	107 (XN2)	2.0	1971.01 - 1983.06		3061.82
2.1 D	XD4x90	2.1	1971.02 - 1986.07 1971.02 - 1986.07		3053.75 3053.85
2.3 D	134 (XD2)	2.3	1975.07 - 1989.12		3053.75
2.7	140 (ZMJ)	2.7	1977.10 - 1984.08		4122.87D
505					
1.8	105 (XM7)	1.8	1981.06 - 1985.10 1981.06 - 1985.10		3061.82 3061.88
2.0	106 (XN1), 106E (XN1A)	2.0	1980.11 - 1991.09 1980.11 - 1991.09		3061.82 3061.88
2.0 TI,STI	829 (ZEJ)	2.0	1979.08 - 1986.10		4122.87D
2.2	851 (ZDJ), 851X (ZDJL)	2.2	1981.05 - 1993.12		4122.87D
2.2 GTI	851B (ZDJL)	2.2	1983.08 - 1993.12		4122.87D
2.3 Diesel	147 (XD2S)	2.3	1982.04 - 1986.06		3053.75
2.3 Turbo Diesel	147 (XD2S)	2.3	1980.09 - 1986.06		3053.75
2.5 Diesel	155 (XD3)	2.5	1981.06 - 1993.12		4147.80D
2.5 Turbo Diesel	152A (XD3T), 152B (XD3TE), XD3T	2.5	1983.10 - 1993.12		4147.80D
2.8 GTI V6	154X (ZN3J)	2.8	1986.06 - 1993.12		4122.87D
604					
2.3 TD	147 (XD2S)	2.3	1979.09 - 1983.05		3053.75
2.5 TD	152A (XD3T)	2.5	1983.08 - 1986.12		4147.80D
2.7 SL	112 (ZM)	2.7	1977.08 - 1983.05 1977.08 - 1983.05		3061.82 3061.88
2.7 TI, STI	140 (ZMJ)	2.7	1977.08 - 1983.05 1977.08 - 1983.05		3061.82 3061.88
2.8 GTI	154A (ZMJK)	2.8	1983.09 - 1987.07		4122.87D

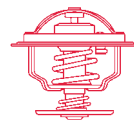


Thermostate
Thermostats
Thermostats

PEUGEOT

	Motor Engine Moteur	Ltr. Ltr. Ltr.	Jahr Year Année	Einschränkung Restriction* Restriction*	Thermostat Thermostat Thermostat
605					
2.0	R5A (XU102C), RFZ (XU10J2Z)	2.0	1989.06 - 1999.09 1989.06 - 1999.09		3136.82D50 3136.88D50
2.0 16V	RFV (XU10J4R)	2.0	1994.07 - 1999.09		4450.83D
2.0 Turbo	RGX (XU10J2TE), RGY (XU10J2TE)	2.0	1991.07 - 1999.09 1991.07 - 1999.09		3136.82D50 3136.88D50
2.1 D	P9A (XUD11A)	2.1	1991.01 - 1995.07		4447.85D
2.1 TD 12V	P8C (XUD11BTE)	2.1	1994.08 - 1999.09 1994.08 - 1999.09	Automatikgetriebe Schaltgetriebe	4447.80D 4447.85D
2.1 Turbo Diesel	PHZ (XUD11ATE)	2.1	1989.06 - 1999.09 1989.06 - 1999.09	Automatikgetriebe Schaltgetriebe	4447.80D 4447.85D
1007					
1.4	KFV (TU3JP)	1.4	2005.04 -		410184.89D ▲
1.4 16V	KFU (ET3J4)	1.4	2005.10 -		410705.89D ▲
1.6 16V	NFU (TU5JP4)	1.6	2005.04 - 2005.04 -	Organisationsnr. →10401 Organisationsnr. 10402→	410184.89D ▲ 410705.89D ▲
607					
2.0	RFN (EW10J4)	2.0	2000.02 -		3483.89D
2.0 HDI	RHS (DW10ATED), RHZ (DW10ATED)	2.0	2000.05 - 2004.07	RHZ (DW10ATED)	4446.83D
2.2 16V	3FY (EW12J4), 3FZ (EW12J4)	2.2	2000.02 -		3483.89D
2.2 HDI	4HX (DW12TED4/FAP)	2.2	2000.02 -		4446.83D
806					
1.8	LFW (XU7JP)	1.8	1995.07 - 2002.08 1995.07 - 2002.08	Organisationsnr. →O 07195 Organisationsnr. O 07196→	3136.88D50 3136.82D50
1.9 TD	DHX (XUD9TE), DHY (XUD9TE)	1.9	1995.07 - 2002.08		4446.83D
2.0	RFU (XU10J2)	2.0	1994.06 - 2002.08 1994.06 - 2002.08	Organisationsnr. →O 07195 Organisationsnr. O 07196→	3136.88D50 3136.82D50
2.0 16V	RFN (EW10J4), RFV (XU10J4R)	2.0	2000.09 - 2002.08 1998.05 - 2000.09	EW10J4 XU10J4R	3463.89D 4450.83D
2.0 HDI	RHZ (DW10ATED)	2.0	1999.08 - 2002.08		4446.83D
2.0 HDI 16V	RHW (DW10ATED4)	2.0	1999.08 - 2002.08		4446.83D
2.0 Turbo	RGX (XU10J2TE)	2.0	1994.06 - 2002.08		3136.82D50
2.1 td 12V	P8C (XUD11BTE)	2.1	1996.06 - 1999.08		4446.83D
807					
2.0	RFN (EW10J4)	2.0	2002.06 -		3483.89D
2.0 16V	RFJ (EW10A)	2.0	2005.09 -		3483.89D
2.0 HDi	RHK (DW10UTED4), RHM (DW10ATED4), RHT (DW10ATED4), RHW (DW10ATED4)	2.0	2002.06 -		4446.83D
2.2	3FZ (EW12J4)	2.2	2002.06 -		3483.89D
2.2 HDi	4HX (DW12TED4/FAP)	2.2	2002.06 -		4446.83D
BIPPER (AA_)					
1.4	KFV (TU3A)	1.4	2008.02 -		3463.89D

Thermostate
Thermostats
Thermostats



PEUGEOT

	Motor Engine Moteur	Ltr. Ltr. Ltr.	Jahr Year Année	Einschränkung Restriction* Restriction*	Thermostat Thermostat Thermostat
BOXER (230)					
1.9 D	D8C (XUD9AU), DJY (XUD9A)	1.9	1994.03 - 2002.04		4446.83D
1.9 TD	D8C (XUD9UTF), DHY (XUD9TE), XUD9TE	1.9	1994.03 - 2002.04		4450.83D
2.0 HDi	RHV (DW10UTD)	2.0	2001.08 - 2002.04		4446.83D
2.0 i	RFW (XU10J2)	2.0	1994.03 - 2002.04		3136.82D50
2.5 D	T9A (DJ5)	2.5	1994.03 - 2002.04		410058.84D ▲
2.5 TD	T8A (DJ5T)	2.5	1994.03 - 2002.04		410058.84D ▲
2.5 TDi	THX (DJ5TED)	2.5	1997.01 - 2002.04		410058.84D ▲
2.8 HDi	8140.43S (F28DTCR)	2.8	2000.11 - 2002.04		4174.82D
BOXER (244)					
2.0	RFL (XU10J2U)	2.0	2002.04 - 2002.04 -		3136.82D50 3136.88D50
2.0 HDi	RHV (DW10TD), RHV (DW10UTD)	2.0	2002.04 -		4446.83D
2.2 HDi	4HY (DW12UTED)	2.2	2002.04 -		4446.83D
2.8 HDi	8140.43N, 8140.43S (F28DTCR)	2.8	2002.04 -		4174.82D
BOXER					
2.2 HDi 100	4HV	2.2	2006.04 -		3497.88D
2.2 HDi 120	4HU	2.2	2006.04 -		3497.88D
EXPERT					
1.9 D	D9B (XUD9AU)	1.9	1996.02 -		4446.83D
1.9 D 70	WJY (DW8B), WJZ (DW8)	1.9	1998.12 -		4446.83D
1.9 TD	D8B (XUD9TE), DHX (XUD9TE)	1.9	1996.02 -		4446.83D
2.0	RFN (EW10J4)	2.0	2000.07 -		3483.89D
2.0 HDi	RHW (DW10ATED4), RHX (DW10BTED), RHZ (DW10ATED)	2.0	2000.07 -		4446.83D
EXPERT Tepee (VF3V_)					
2.0 16V	RFH (EW10A), RFJ (EW10A)	2.0	2007.01 -		3483.89D
J5 (280)					
1.8	169B (XM7T)	1.8	1983.01 - 1988.11 1983.01 - 1988.11		3061.82 3061.88
2.0	170 (XN1T), 170B (XN1T)	2.0	1981.09 - 1990.09 1981.09 - 1990.09		3061.82 3061.88
2.5 D	CRD93 (U25/661)	2.5	1981.09 - 1990.09		3033.84
J5 (290)					
2.0	170D (XN1TACP)	2.0	1990.10 - 1990.10 -		3061.82 3061.88
2.5 D	CRD93 (U25/661)	2.5	1990.10 -		3033.84
2.5 TD	CRD93LS (U25/673)	2.5	1990.10 -		3033.84
J9					
1.6	XC7P	1.6	1980.03 - 1987.06		3053.75
2.0	XN1P	2.0	1980.03 - 1987.06		3053.75
2.1 D	XDPX90	2.1	1980.03 - 1987.06		3053.75
2.3 D	XD2PX94	2.3	1980.03 - 1982.07		3053.75
2.5 D	XD3P	2.5	1982.07 - 1987.06		4147.80D
PARTNER					
1.1	HDZ (TU1M), HFX (TU1JP)	1.1	1996.06 - 1996.06 -	HDZ (TU1M) HFX (TU1JP)	3136.88D50 410184.89D ▲

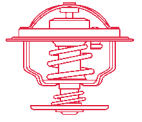


Thermostate
Thermostats
Thermostats

PEUGEOT

	Motor Engine Moteur	Ltr. Ltr. Ltr.	Jahr Year Année	Einschränkung Restriction* Restriction*	Thermostat Thermostat Thermostat
1.4	KFW (TU3JP), KFX (TU3JP), TU32	1.4	1996.06 - 1996.06 -	Organisationsnr. →O 08210 Organisationsnr. O 08211→	3136.88D50 410184.89D ▲
1.4 BiFuel	KFW (TU3JP)	1.4	2003.04 -		3463.89D
1.6 16V	NFU (TU5JP4)	1.6	2001.07 -		410184.89D ▲
1.8	LFX (XU7JB)	1.8	1997.03 - 2000.08		3136.82D50
1.8 D	A9A (XUD7)	1.8	1996.06 -		4446.83D
1.9 D	DJY (XUD9A), WJY (DW8B), WJZ (DW8), XUD9	1.9	1996.05 - 1998.12		4446.83D
2.0 HDi	RHY (DW10TD)	2.0	2000.02 -		4446.83D
PARTNER Tepee					
1.6	NFR (TU5JP4B), NFU (TU5JP4)	1.6	2008.04 -		410705.89D ▲

Thermostate
Thermostats
Thermostats



PIAGGIO

	Motor Engine Moteur	Ltr. Ltr. Ltr.	Jahr Year Année	Einschränkung Restriction* Restriction*	Thermostat Thermostat Thermostat
PORTER					
1.2 D	LDW12	1.2	1995.05 -		4007.80D
1.4 D		1.4	1998.04 -		4007.80D



Thermostate
Thermostats
Thermostats

PLYMOUTH

Motor
Engine
Moteur

Ltr.
Ltr.
Ltr.

Jahr
Year
Année

Einschränkung
Restriction*
Restriction*

Thermostat
Thermostat
Thermostat

NEON

2.0 16V

ECB, ECC, ECH

2.0

1994.05 - 1999.08

410262.91D ▲

VOYAGER

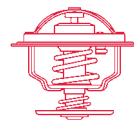
2.5 TD

2.5

1995.01 - 2001.03

4158.80D

Thermostate
Thermostats
Thermostats



PORSCHE

	Motor Engine Moteur	Ltr. Ltr. Ltr.	Jahr Year Année	Einschränkung Restriction* Restriction*	Thermostat Thermostat Thermostat
911 (996, 997)					
3.4 Carrera	M 96.01, M 96.04	3.4	1997.09 - 2005.08		4249.83D
3.4 Carrera 4	M 96.01, M 96.02, M 96.04	3.4	1997.09 - 2005.08		4249.83D
3.6	M 96.03	3.6	2001.12 - 2005.08		4249.83D
3.6 Carrera	M 96.03, M 96.05	3.6	2001.10 - 2005.08		4249.83D
3.6 Carrera 4	M 96.03, M 96.05	3.6	2001.10 - 2005.08		4249.83D
3.6 Carrera 4S	M 96.03	3.6	2002.06 - 2005.08		4249.83D
3.6 Carrera S	M 96.03	3.6	2002.06 - 2005.08		4249.83D
3.6 GT2	M 96.70	3.6	2001.04 - 2005.08		4249.83D
3.6 GT3	M 96.76, M 96.79	3.6	1999.03 - 2005.08		4249.83D
3.6 Turbo 4	M 96.70	3.6	2000.06 - 2005.08		4249.83D
3.6 Turbo 4S	M 96.70	3.6	2003.02 - 2005.08		4249.83D
3.8 Carrera 4S	M 97.01, M 97.01S	3.8	2004.07 -		4249.83D
3.8 Carrera S	M 97.01, M 97.01S	3.8	2004.07 -		4249.83D
924					
2.0	XJ, XK	2.0	1975.11 - 1989.08		4006.82D
2.0 Carrera GT	M 31.50	2.0	1980.06 - 1986.10		4256.83D60
2.0 Turbo	M 31.01, M 31.03	2.0	1978.11 - 1986.10		4006.82D
2.5 S	M 44.01, M 44.03, M 44.07, M 44.08, M 44.09, M 44.10	2.5	1981.10 - 1988.07		4256.83D60
928					
4.4	M 28.10	4.4	1977.09 - 1982.08		4161.83
4.6 S	M 28.11, M 28.12, M 28.21, M 28.22	4.6	1979.09 - 1986.07		4161.83
4.9 S	M 28.45, M 28.46	4.9	1985.09 - 1994.05		4161.83
4.9 S,S4	M 28.41, M 28.42	4.9	1986.08 - 1991.07		4161.83
5.0 GT	M 28.47	5.0	1989.01 - 1991.07		4161.83
5.0 S4	M 28.41, M 28.42	5.0	1986.08 - 1991.07		4161.83
5.4 GTS	M 28.49, M 28.50	5.4	1991.08 - 1995.11		4161.83
944					
2.5	M 44.01, M 44.02, M 44.03, M 44.04, M 44.05, M 44.06, M 44.07, M 44.08, M 44.09, M 44.10	2.5	1981.06 - 1990.12		4256.83D60
2.5 S	M 44.40	2.5	1986.08 - 1988.07		4256.83D60
2.5 Turbo	M 44.50, M 44.51, M 44.52	2.5	1985.08 - 1991.07		4256.83D60
2.7	M 44.11, M 44.12	2.7	1988.11 - 1989.08		4256.83D60
3.0 S2	M 44.41	3.0	1988.12 - 1991.07		4256.83D60
968					
3.0	M 44.43, M 44.44	3.0	1991.06 - 1995.11		4256.83D60
3.0 Turbo S		3.0	1993.03 - 1995.11		4256.83D60
BOXSTER (986)					
2.5	M 96.20	2.5	1996.09 - 1999.08		4249.83D
2.7	M 96.22, M 96.23	2.7	1999.08 - 2002.07		4249.83D
S 3,2	M 96.24	3.2	2002.07 -		4249.83D
S 3,2	M 96.21, M 96.24	3.2	1999.08 - 2002.07		4249.83D
BOXSTER (987)					
2.7	M 96.25	2.7	2004.11 -		4249.83D
S 3,2	M 96.26	3.2	2004.11 -		4249.83D
CAYENNE					
3.2	M02.2Y	3.2	2003.10 -		4455.80D

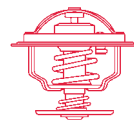


Thermostate
Thermostats
Thermostats

PROTON

	Motor Engine Moteur	Ltr. Ltr. Ltr.	Jahr Year Année	Einschränkung Restriction* Restriction*	Thermostat Thermostat Thermostat
IMPIAN					
1.6	4 G 18 P	1.6	2001.09 -		4637.88D ▲
PERSONA 300					
313i	G 13 B	1.3	1996.03 -		4637.82D
315 GLi/GLSi		1.5	1996.03 -		4637.82D
315 GLSi	G 15 B	1.5	1996.09 -		4637.82D
316	4 G 92	1.6	1996.03 -		4637.82D
316 GLXi		1.6	1996.03 -		4637.82D
318 16V GTI	4 G 93	1.8	1996.03 -		4637.82D
PERSONA 400					
1.2		1.2	2005.10 -		3166.89D
413		1.3	1994.01 -		4637.82D
413 GLSi	4 G 13	1.3	1994.01 -		4637.82D
415 GLi/GLSi	4 G 15	1.5	1994.01 -		4637.82D
416 GLXi	4 G 92	1.6	1994.01 -		4637.82D
416 i	4 G 92	1.6	1995.12 -		4637.82D
418		1.8	1996.05 -		4637.82D
418 GLXi		1.8	1996.05 -		4637.82D
WIRA					
1.3	4 G 13	1.3	2000.08 -		3119.88D4
1.5	4 G 15 M	1.5	2000.08 -		3119.88D4

Thermostate
Thermostats
Thermostats



RENAULT

	Motor Engine Moteur	Ltr. Ltr. Ltr.	Jahr Year Année	Einschränkung Restriction* Restriction*	Thermostat Thermostat Thermostat
4					
0.8	800, 800 01, 800 705, 839 706, B1B 707	0.8	1962.10 - 1989.07		3029.86
1.0	689 710, C1C 708	1.0	1985.12 - 1993.12		3029.86
1.1	688 711, 688 712, C1E 714, C1E 718, C1E 719	1.1	1976.10 - 1990.06		3029.86
5					
0.8	800 710	0.8	1972.10 - 1984.12		3029.83
1.0	689 710	1.0	1972.01 - 1985.12		3029.83
1.1	688 713, C1E 726	1.1	1980.09 - 1985.12		3029.83
1.3	810 719, 810 725, 810 726, 810 729	1.3	1975.09 - 1984.09		3029.83
1.4	847 712, 847 725, C2J 713	1.4	1982.01 - 1985.12		3029.83
1.4 Alpine A5	840 725	1.4	1977.09 - 1981.09		3029.83
1.4 Alpine Turbo	840 726, C6J 750	1.4	1981.10 - 1985.01		3029.83
1.4 Turbo	840 730	1.4	1980.06 - 1985.01		3029.83
5 SUPER (B/C/S40)					
1.0	C1C 700	1.0	1984.10 - 1988.10		3029.86
1.1	C1E 750, C1E 752, C1E 754, C1E 756, C1E 760	1.1	1984.10 - 1996.12		3029.86
1.2	C1G 702, C1G 720, C1G 722	1.2	1987.01 - 1996.12		3029.86
1.4	C1J 768, C1J 780, C2J 700, C2J 780, C2J 781, C2J 782, C2J 784, C2J 788, C2J 789, C2J 798, C3J 700, C3J 702, C3J 760	1.4	1984.10 - 1996.12		3029.86
1.4 Turbo	C1J 782, C1J 784, C1J 788	1.4	1985.04 - 1990.08		3029.86
1.4 Turbo GT	840 730	1.4	1985.01 - 1991.05		3029.86
1.6 D	F8M 720, F8M 730	1.6	1984.10 - 1996.12		3470.89D50
1.7	F2N 740, F2N 742, F3N 716, F3N 717	1.7	1986.10 - 1995.03		3470.89D50
1.7 i	F3N 702, F3N 722	1.7	1986.10 - 1991.08		3470.89D50
6					
0.8	800.02	0.8	1969.10 - 1980.04		3029.83
1.1	688.10	1.1	1970.08 - 1987.04		3029.83
9					
1.1	C1E 715, C1E 720	1.1	1981.09 - 1987.05		3029.86
1.2	C1G 700, C1G 710	1.2	1985.09 - 1988.12		3029.86
1.4	C1J 715, C1J 792, C1J 796, C2J 717, C2J 718, C2J 720, C2J 730, C2J 755, C2J 757, C2J 766, C2J 767, C2J 768	1.4	1981.09 - 1988.12		3029.86
1.4 Turbo	C1J 760, C1J 764	1.4	1984.04 - 1989.12		3029.83
1.6 D	F8M 700, F8M 720, F8M 730	1.6	1982.10 - 1988.12		3136.82D50
1.7	F2N 700, F2N 704, F2N 708, F2N 710, F2N 730, F2N 798, F3N 708, F3N 718	1.7	1984.09 - 1988.12		3470.89D50
11					
1.1	C1E 715, C1E 720	1.1	1983.03 - 1986.06		3029.86
1.2	C1G 700, C1G 710	1.2	1984.10 - 1988.12		3029.86
1.4	C1J 715, C2J 717, C2J 718, C2J 720, C2J 730, C2J 755, C2J 757, C2J 766, C2J 767, C2J 768	1.4	1983.03 - 1988.12		3029.86

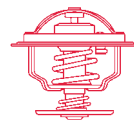


Thermostate
Thermostats
Thermostats

RENAULT

	Motor Engine Moteur	Ltr. Ltr. Ltr.	Jahr Year Année	Einschränkung Restriction* Restriction*	Thermostat Thermostat Thermostat
1.4 Turbo	C1J 760, C1J 764, C1J 770, C1J 782	1.4	1984.04 - 1988.12		3029.86
1.6 D	F8M 700, F8M 720, F8M 730	1.6	1983.08 - 1988.12		3136.82D50
1.7	F2N 700, F2N 704, F2N 708, F2N 710, F2N 730, F2N 732, F2N 742, F2N 798, F3N 708, F3N 718	1.7	1983.10 - 1988.12		3470.89D50
12					
1.3	810-02, 810-02/97, 810-06, 810.05	1.3	1970.10 - 1980.08 1969.10 - 1980.08		3029.86 3029.89
1.3 TS	810-06, 810.05	1.3	1972.08 - 1980.08		3029.89
1.4	C1J 791	1.4	1976.08 - 1979.05		3029.89
1.6	807 20, 821 20	1.6	1970.08 - 1974.12		3029.78
14					
1.2	129	1.2	1976.05 - 1983.12		3136.82D50
1.4	150, X5J	1.4	1979.09 - 1983.12		3136.82D50
15					
1.3	810.05	1.3	1972.03 - 1980.10		3029.83
1.6	807.10	1.6	1972.03 - 1980.10		3029.86
16					
1.5		1.5	1965.09 - 1975.10		3029.86
1.6	807, 807.04, 807.05, 821, 821.03, 821.04, 843, 843.01	1.6	1968.09 - 1980.08		3029.86
17					
1.6	807.10, 844 12	1.6	1972.03 - 1980.10		3029.86
18					
1.4	847 720, 847 722	1.4	1978.04 - 1986.07		3029.86
1.6	841 717, 841 725, 841 726, A2M 723, A6M 725, A6M 726	1.6	1978.04 - 1986.07		3029.86
1.6 Turbo	807 727, A5L 717, A5L 718	1.6	1980.10 - 1986.07		3029.86
1.6 Turbo Inj.	A7L 752	1.6	1982.09 - 1986.07		3029.78
2.0	J6R 714, J6R 716	2.0	1981.10 - 1986.12		4122.87D
2.1 Diesel	852 710, J8S 711	2.1	1979.05 - 1986.07		4147.80D
2.1 TD	J8S 712	2.1	1981.11 - 1986.07		4147.80D
2.2 i		2.2	1984.06 - 1986.07	J7T	4122.87D
19					
1.2	C1G 730, E7F 730	1.2	1988.01 - 1995.12 1992.05 - 1994.09	C1G 730 E7F 730	3029.86 3469.91D
1.4	C2J 772, C3J 710, E6J 700, E6J 701, E7J 700, E7J 706, E7J 742	1.4	1989.01 - 1995.12 1988.01 - 1995.12	C3J, C2J E7J, E6J	3029.86 3469.91D
1.7	F3N 740, F3N 741, F3N 742, F3N 743, F3N 746	1.7	1988.09 - 1995.12		3470.89D50
1.8	F3P 682, F3P 700, F3P 706, F3P 707, F3P 708, F3P 760, F3P 765	1.8	1992.04 - 1995.12		3470.89D50
1.8 16V	F7P 704	1.8	1989.06 - 1995.12		3470.89D50
1.9 D	F8Q 706, F8Q 742	1.9	1988.09 - 1995.12	F8Q 706, F8Q 742	3470.89D50
1.9 DT	F8Q 610, F8Q 740, F8Q 744	1.9	1990.09 - 1992.04 1990.09 - 1995.12	F8Q 610 F8Q 744, F8Q 740	3470.89D50 4147.80D

Thermostate
Thermostats
Thermostats



RENAULT

	Motor Engine Moteur	Ltr. Ltr. Ltr.	Jahr Year Année	Einschränkung Restriction* Restriction*	Thermostat Thermostat Thermostat
19 Cabriolet					
1.7	F3N 742, F3N 743	1.7	1991.07 - 1993.09	F2N, F3N	3470.89D50
1.8	F3P 682, F3P 704, F3P 705, F3P 706, F3P 707, F3P 708, F3P 760, F3P 764, F3P 765	1.8	1992.04 - 1996.06		3470.89D50
1.8 16V	F7P 704	1.8	1991.07 - 1996.06		3470.89D50
19 Chamade					
1.2	C1G 730, E7F 730	1.2	1988.01 - 1992.12 1992.05 - 1994.09	C1G 730 E7F 730	3029.86 3469.91D
1.4	C2J 772, C3J 710, E6J 700, E6J 701, E7J 700, E7J 706, E7J 742	1.4	1988.07 - 1995.12 1988.07 - 1995.12	C3J, C2J E7J, E6J	3029.86 3469.91D
1.7	F3N 740, F3N 741, F3N 742, F3N 743, F3N 746	1.7	1988.07 - 1995.12		3470.89D50
1.8	F3P 682, F3P 700, F3P 704, F3P 705, F3P 706, F3P 707, F3P 708, F3P 760	1.8	1992.04 - 1995.12		3470.89D50
1.8 16V	F7P 704	1.8	1989.10 - 1995.12		3470.89D50
1.9 D	F8Q 706, F8Q 742, F8Q 744	1.9	1989.10 - 1995.12 1992.05 - 1995.11	F8Q 702, F8Q 746 F8Q 744	3470.89D50 4147.80D
1.9 DT	F8Q 740, F8Q 744	1.9	1990.09 - 1995.12	F8Q 744, F8Q 740	4147.80D
1.9 TD	F8Q 740	1.9	1990.09 - 1992.04	F8Q 740	3470.89D50
19 Kasten					
1.2	C1G 730	1.2	1988.01 - 1995.12	C1G 730	3029.86
1.4	E6J 700	1.4	1988.01 - 1995.12	E6J	3469.91D
1.9 D	F8Q 706, F8Q 742	1.9	1988.01 - 1995.12	F8Q 706, F8Q 742	3470.89D50
1.9 dT	F8Q 740	1.9	1992.03 - 1995.12	F8Q 740	4147.80D
20					
1.6	843, 843 720, 843 721	1.6	1975.10 - 1983.12		3053.85
2.0	829 700, 829 701, 829 702, 829 703, 829.01	2.0	1977.10 - 1983.12		4122.87D
2.1 Diesel	852	2.1	1980.10 - 1983.12		4147.80D
2.1 TD	J8S 702	2.1	1982.01 - 1983.12		4147.80D
2.2	851 700	2.2	1980.10 - 1983.12		4122.87D
21					
1.4	C2J 770	1.4	1989.09 - 1993.05		3029.86
1.7	F3N 722, F3N 723, F3N 726	1.7	1989.09 - 1994.06		3470.89D50
1.9 D	F8Q 710	1.9	1989.09 - 1993.10		3136.82D50
2.0	J7R 740, J7R 746, J7R 747	2.0	1989.09 - 1993.12		3029.89
2.1 D	J8S 600, J8S 740, J8S 784	2.1	1989.09 - 1994.06		4147.80D
2.1 Turbo-D	J8S 714, J8S 786, J8S 788	2.1	1989.09 - 1994.06		4147.80D
2.2	J7T 754, J7T 755	2.2	1989.09 - 1994.06		3029.89
21 Kasten					
1.7	F2N 710	1.7	1986.06 - 1995.04		3470.89D50
1.9 D	F8Q 710	1.9	1986.06 - 1994.08		3136.82D50
2.1 D	J8S 704	2.1	1986.06 - 1994.08		4147.80D
21 Kombi					
1.7	F2N 710, F2N 712, F2N 750, F2N 752, F3N 722, F3N 723, F3N 726	1.7	1986.06 - 1993.12		3470.89D50
1.9 D	F8Q 710	1.9	1986.03 - 1994.08	F8Q	3136.82D50

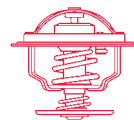


Thermostate
Thermostats
Thermostats

RENAULT

	Motor Engine Moteur	Ltr. Ltr. Ltr.	Jahr Year Année	Einschränkung Restriction* Restriction*	Thermostat Thermostat Thermostat
2.0	J7R 740, J7R 746, J7R 747, J7R 750, J7R 751	2.0	1986.03 - 1994.02		3029.89
2.1 D	J8S 600, J8S 704, J8S 740, J8S 784	2.1	1986.10 - 1995.09		4147.80D
2.1 Turbo-D	J8S 714, J8S 786, J8S 788	2.1	1986.10 - 1993.11		4147.80D
2.2	J7T 754, J7T 755	2.2	1986.06 - 1993.12		3029.89
21 Stufenheck					
1.4	C2J 770	1.4	1988.06 - 1993.10		3029.86
1.7	F2N 710, F2N 712, F2N 750, F2N 752, F3N 722, F3N 723, F3N 726	1.7	1986.07 - 1994.02 1986.03 - 1994.02	F2N 750, F3N 726 F2N 712, F3N 723, F2N 710, F3N 722, F3N 752	3136.88D50 3470.89D50
1.9 D	F8Q 710	1.9	1989.08 - 1993.10		3136.82D50
2.0	J6R 758, J6R 759, J6R 792, J6R 793, J7R 740, J7R 746, J7R 747, J7R 750, J7R 751	2.0	1986.03 - 1994.06		3029.89
2.0 Turbo	J7R 752, J7R 756	2.0	1987.04 - 1993.10		3029.89
2.1 D	J8S 600, J8S 704, J8S 740, J8S 784	2.1	1986.03 - 1994.06		4147.80D
2.1 Turbo-D	J8S 714, J8S 786, J8S 788	2.1	1986.03 - 1994.06		4147.80D
2.2	J7T 754, J7T 755	2.2	1986.07 - 1994.02		3029.89
25					
2.0	J6R 706, J6R 707, J6R 760, J6R 762, J6R 763, J7R 722, J7R 723	2.0	1984.04 - 1993.12		4122.87D
2.0 12V	J7R 720, J7R 721, J7R 726	2.0	1988.06 - 1993.12		4122.87D
2.1 Diesel	J8S 706, J8S 736	2.1	1984.04 - 1992.12		4147.80D
2.1 Turbo-D	J8S 708, J8S 738	2.1	1984.04 - 1992.12		4147.80D
2.2	J7T 706, J7T 707, J7T 708, J7T 714, J7T 715, J7T 730, J7T 731, J7T 732, J7T 733	2.2	1984.04 - 1992.12		4122.87D
2.4 V6 Turbo	Z7U 702	2.4	1984.10 - 1990.05		4122.87D
2.5 V6 Turbo	Z7U 700	2.5	1990.01 - 1992.12		4122.87D
2.7 V6 Injection	Z7V 708, Z7V 709, Z7V 711	2.7	1984.04 - 1989.08		4122.87D
2.8 V6	Z7W 700	2.8	1987.06 - 1990.02		4122.87D
2.8 V6 Injection	Z7W 702, Z7W 706, Z7W 707, Z7W 709	2.8	1986.06 - 1992.12		4122.87D
30					
2.1 Turbo-D	J8S 702	2.1	1982.02 - 1986.03		4147.80D
2.6	112, 140, 144	2.6	1975.02 - 1984.01		4122.87D
AVANTIME					
2.0 16V Turbo	F4R 760, F4R 761	2.0	2001.11 - 2003.05		3466.89D
B					
70	8140.61.235	2.4	1983.01 - 1990.12		4151.79D
90	8140.21.235 IDS, 8140.27.2530 IDS	2.4	1986.04 - 1992.01		4151.76D
CLIO I					
1.1	C1E 700	1.1	1991.01 - 1998.09		3029.86
1.2	C3G 720, D7F 730, E7F 700, E7F 706, E7F 708, E7F 750	1.2	1994.06 - 1998.02 1996.01 - 1998.09 1990.05 - 1998.09	C3G 720 D7F 730 E7F 700, E7F 708, E7F 750, E7F 706	3029.89 3174.89D 3469.91D

Thermostate
Thermostats
Thermostats



RENAULT

	Motor Engine Moteur	Ltr. Ltr. Ltr.	Jahr Year Année	Einschränkung Restriction* Restriction*	Thermostat Thermostat Thermostat
1.4	E7J 601, E7J 710, E7J 711, E7J 718, E7J 719, E7J 754, E7J 756, E7J 757	1.4	1991.01 - 1998.09		3469.91D
1.7	F2N 770	1.7	1991.01 - 1993.12		3470.89D50
1.8	F3P 710, F3P 714, F3P 754, F3P 755	1.8	1990.08 - 1998.09		3470.89D50
1.8 16V	F7P 722	1.8	1991.01 - 1996.03		3470.89D50
1.8 Rsi	F3P 712, F3P 758	1.8	1993.01 - 1998.09		3470.89D50
1.9 D	F8Q 678, F8Q 730, F8Q 732	1.9	1991.01 - 1998.09		3470.89D50
Williams	F7R 700	2.0	1994.01 - 1998.09		3470.89D50
CLIO II					
1.1	D7F 720, D7F 722	1.1	1998.09 -		3166.89D
1.2	D7F 710, D7F 720, D7F 726, D7F 746, D7F 766	1.2	1998.09 - 2003.10		3166.89D
1.2 16V	D4F 712, D4F 714, D4F 722	1.2	2001.06 -		3166.89D
1.4	E7J 780	1.4	1998.09 - 2005.05		3466.89D
1.4 16V	K4J 700, K4J 710, K4J 711, K4J 712, K4J 713	1.4	1999.10 - 2000.08		3466.89D
1.5 D	K9K 714	1.5	2004.08 -		411043.89D ▲
1.5 dCi	K9K 700, K9K 702, K9K 704, K9K 712	1.5	2001.06 - 2003.10	K9K 700	411043.89D ▲
1.6	K4M 746, K7M 744, K7M 745	1.6	1998.09 - 2005.05		3466.89D
1.6 16V	K4M 708, K4M 744, K4M 745, K4M 748	1.6	1998.09 -		3466.89D
1.9 D	F8Q 630, F8Q 632, F8Q 662	1.9	1998.09 - 2000.02 - 2000.05 2000.06 - 2001.05		3136.82D50 410518.89D ▲ 410530.89D ▲
1.9 D (B/CB0E)	F8Q 630	1.9	1998.09 - 2005.05		3470.89D50
1.9 D (B/CB0J)	F8Q 632	1.9	2000.02 - 2000.11 2000.11 - 2001.05		410518.89D ▲ 410530.89D ▲
1.9 dTi	F9Q 780	1.9	1999.12 - 2005.05 1999.12 - 2005.05	Motornummer →000528 Motornummer 000529→	410518.89D ▲ 3470.89D50
2.0 16V Sport	F4R 730, F4R 738	2.0	2000.02 -		3466.89D
CLIO III					
1.2 16V	D4F 740	1.2	2005.06 -		3166.89D
1.2 16V Hi-Flex	D4F 740, D4F 742	1.2	2008.07 -		3166.89D
1.5 dCi	K9K 764, K9K 766, K9K 768, K9K 772	1.5	2005.06 - 2005.06 -		411040.83D ▲ 411042.89D ▲
2.0 16V	M4R 700, M4R 701	2.0	2006.09 -		411241.82D ▲
CLIO Grandtour (KR0/1_)					
1.2 16V	D4F 740, D4F 784	1.2	2008.02 -		3166.89D
1.2 16V Hi-Flex	D4F 740	1.2	2008.07 -		3166.89D
1.5 dCi	K9K 764, K9K 772	1.5	2008.02 - 2008.02 -		411040.83D ▲ 411042.89D ▲
ESPACE I					
2.0	J6R 234, J6R 236, J6R 734	2.0	1984.07 - 1990.12		4122.87D
2.0 i	J7R 760	2.0	1988.03 - 1992.12		4122.87D
2.1 TD	J8S 240, J8S 774	2.1	1984.10 - 1990.12		4147.80D
2.2	J7T 770	2.2	1986.07 - 1990.12		4122.87D
ESPACE II					
2.0	J7R 768	2.0	1991.01 - 1996.10		3029.89

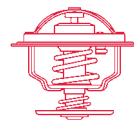


Thermostate
Thermostats
Thermostats

RENAULT

	Motor Engine Moteur	Ltr. Ltr. Ltr.	Jahr Year Année	Einschränkung Restriction* Restriction*	Thermostat Thermostat Thermostat
2.1 TD	J8S 610, J8S 612, J8S 772, J8S 776, J8S 778	2.1	1991.01 - 1996.10		4147.80D
2.2	J7T 772, J7T 773, J7T 776	2.2	1991.01 - 1996.12		3029.89
2.8 V6	Z7W 712, Z7W 713, Z7W 717	2.8	1991.01 - 1996.10		4122.87D
ESPACE III					
1.9 dTi	F9Q 722	1.9	1999.02 - 2002.10	Motornummer →000529	410518.89D ▲
			1999.02 - 2002.10	Motornummer 000529→ →001312	3470.89D50
			1999.02 - 2002.10	Motornummer 001312→	410517.89D ▲
2.0	F3R 728, F3R 729, F3R 742, F3R 768, F3R 769, F4R 700, F4R 701	2.0	1996.11 - 2002.10		3470.89D50
2.0 16V	F4R 700, F4R 701	2.0	1998.10 - 2002.10		3466.89D
2.2 12V TD	G8T 714, G8T 716, G8T 760	2.2	1996.11 - 2000.10		4446.83D
2.2 D	G8T 716	2.2	1997.11 - 2000.01		4446.83D
3.0	Z7X 775	3.0	1996.11 - 1998.10		4449.84D
ESPACE IV					
1.9 dCi	F9Q 680, F9Q 820, F9Q 826	1.9	2002.11 - 2005.02	F9Q 820	410517.89D ▲
2.0	F4R 790, F4R 791, F4R 792, F4R 796, F4R 797, F4R 897	2.0	2002.11 -		3466.89D
2.0 Turbo (JK0B, JK0N)	F4R 794, F4R 795, F4R 796, F4R 797	2.0	2002.11 -		3466.89D
FUEGO					
1.4	847 720	1.4	1980.02 - 1985.10		3029.86
1.6	A2M 723	1.6	1983.04 - 1985.10		3029.86
1.6 TS/GTS	843 723, 843 724, A6M 725, A6M 726	1.6	1980.10 - 1985.10		3029.86
1.6 Turbo	A5L 750	1.6	1983.08 - 1985.10		3029.86
2.0 TX/GTX	829 710, J6R 710, J6R 712, J6R 713, J6R 715, J6R 726	2.0	1980.10 - 1985.10		4122.87D
2.1 TD	J8S 712	2.1	1982.08 - 1985.10		4147.80D
GRAND SCÉNIC III (JZ0/1_)					
1.4 16V	H4J 700	1.4	2009.02 -		411241.82D ▲
1.5 dCi	K9K 832	1.5	2009.02 -		411040.83D ▲
2.0 16V	M4R F 713	2.0	2009.02 -		411241.82D ▲
KANGOO					
1.2	D7F 710, D7F 720, D7F 722, D7F 726, D7F 744, D7F 746	1.2	1997.08 - 1998.06		3174.89D
			1998.07 -		3166.89D
1.2	D7F 764	1.2	1998.07 - 2001.07		3166.89D
1.2 16V	D4F 712, D4F 714	1.2	2001.10 -		3166.89D
1.4	E7J 634, E7J 635, E7J 780, K7J 701	1.4	1997.08 -		3466.89D
1.5 dCi	K9K 700, K9K 702, K9K 704, K9K 710, K9K 718	1.5	2003.04 - 2001.12 -	K9K 702/710/718 K9K 700/704	411039.83D ▲ 411043.89D ▲
1.6 16V	K4M 750, K4M 752, K4M 753	1.6	2001.10 -		3466.89D
1.9 D	F8Q 632	1.9	1999.09 - 2000.05 2000.06 - 2000.11 2000.12 - 2003.06		410518.89D ▲ 3470.89D50 411042.89D ▲

Thermostate
Thermostats
Thermostats



RENAULT

	Motor Engine Moteur	Ltr. Ltr. Ltr.	Jahr Year Année	Einschränkung Restriction* Restriction*	Thermostat Thermostat Thermostat
1.9 dCi	F9Q 782	1.9	2001.10 -	Motornummer →001211	410518.89D ▲
			2001.10 -	Motornummer 001211→	410517.89D ▲
1.9 dCi	F9Q 790	1.9	2001.10 -		410517.89D ▲
1.9 dTi	F9Q 780	1.9	2000.02 -	Motornummer →000528	410518.89D ▲
			2000.02 -	Motornummer 000529→	3470.89D50
D 55 1.9	F8Q 662	1.9	1997.08 -	Motornummer →000528	410530.89D ▲
			1997.08 -	Motornummer 000529→ →980201	3470.89D50
			1997.08 -	Motornummer 980202→	410530.89D ▲
D 65 1.9	F8Q 630, F8Q 632	1.9	1997.08 -	F8Q 630/632 Motornummer →000528	410518.89D ▲
			1997.08 -	F8Q 630, F8Q 632 Motornummer 000529→ →001109	3470.89D50
			1997.08 -	F8Q 632 Motornummer 001120→	410517.89D ▲
KANGOO (KC0/1_)					
1.2	D7F 710, D7F 720, D7F 722, D7F 726, D7F 744, D7F 746	1.2	1998.07 -		3166.89D
			1997.08 - 1998.06		3174.89D
1.2 16V	D4F 712, D4F 714, D4F 716	1.2	2001.06 -		3166.89D
1.4	E7J 634, E7J 635, E7J 780, K7J 700, K7J 701	1.4	1997.08 -		3466.89D
1.5 dCi	K9K 700, K9K 702, K9K 704, K9K 710, K9K 718	1.5	2005.06 -	K9K 718	411039.83D ▲
			2001.12 -	K9K 700, K9K 704, K9K 702, K9K 710	411043.89D ▲
1.6 16V	K4M 750, K4M 752, K4M 753	1.6	2001.06 -		3466.89D
1.9 dCi	F9Q 782, F9Q 790	1.9	2001.10 -	F9Q 782 Motornummer →001211	410518.89D ▲
			2001.10 -	F9Q 782, F9Q 790 Motornummer 001211→	410517.89D ▲
1.9 dTi	F9Q 780	1.9	2000.02 -	Motornummer →000528	410518.89D ▲
			2000.02 -	Motornummer 000529→	3470.89D50
1.9 RXED	F8Q 632	1.9	2000.06 - 2000.11 1999.09 - 2000.05		3470.89D50 410518.89D ▲
D 55 1.9	F8Q 662	1.9	1997.08 -	Motornummer 000529→ →980201	3470.89D50
			1997.08 -	Motornummer 980202→ →000528	410530.89D ▲

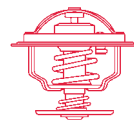


Thermostate
Thermostats
Thermostats

RENAULT

	Motor Engine Moteur	Ltr. Ltr. Ltr.	Jahr Year Année	Einschränkung Restriction* Restriction*	Thermostat Thermostat Thermostat
D 65 1.9	F8Q 630, F8Q 632	1.9	1997.08 -	F8Q 630/632 Motornummer →000528	410518.89D ▲
			1997.08 -	F8Q 630, F8Q 632 Motornummer 000529→ →001109	3470.89D50
			1997.08 -	F8Q 632 Motornummer 001120→	410517.89D ▲
KANGOO (KW0/1_)					
1.5 dCi	K9K 802	1.5	2008.02 -		411040.83D ▲
KANGOO Express (FW0/1_)					
1.5 dCi	K9K 800, K9K 802, K9K 806	1.5	2008.02 -		411040.83D ▲
LAGUNA (B56, 556)					
1.6 16V	K4M 720, K4M 724	1.6	1997.11 - 2001.03		3466.89D
1.8	F3P 670, F3P 678, F3P 720, F3P 724	1.8	1993.11 - 2001.03		3470.89D50
1.8 16V	F4P 760	1.8	1998.04 - 2001.03		3466.89D
1.9 dCi	F9Q 718	1.9	1999.09 - 2001.03	Motornummer 000529→	3470.89D50
1.9 dTi	F9Q 710, F9Q 716, F9Q 717	1.9	1997.10 - 2001.03	Motornummer 000529→	3470.89D50
2.0	F3R 611, F3R 722, F3R 723, F3R 768, F4R 780	2.0	1993.11 - 2001.03 1999.09 - 2001.02 1993.11 - 2001.03	F4R F3R	3136.82D50 3466.89D 3470.89D50
2.0 16V	F4R 780, N7Q 700, N7Q 704	2.0	1999.09 - 2001.03 1995.06 - 2001.03	F4R N7Q	3466.89D 4272.90D
2.2 D	G8T 706, G8T 752, G8T 790, G8T 794	2.2	1993.11 - 2001.03		4446.83D
2.2 dT	G8T 760	2.2	1996.03 - 2001.03		4446.83D
3.0	Z7X 760, Z7X 765	3.0	1993.11 - 2001.03		4449.84D
LAGUNA Grandtour (K56_, S56_)					
1.6 16V	K4M 720, K4M 724	1.6	1997.11 - 2001.03		3466.89D
1.8	F3P 670, F3P 678, F3P 720, F3P 724	1.8	1995.09 - 2001.03		3470.89D50
1.8 16V	F4P 760	1.8	1998.04 - 2001.03		3466.89D
1.9 dCi	F9Q 718	1.9	1999.09 - 2001.03	Motornummer 000529→	3470.89D50
1.9 dTi	F9Q 710, F9Q 716, F9Q 717	1.9	1997.10 - 2001.03	Motornummer 000529→	3470.89D50
2.0	F3R 722, F3R 723, F3R 768	2.0	1995.09 - 2001.03		3470.89D50
2.0 16V	F4R 780, N7Q 700, N7Q 704	2.0	1999.09 - 2001.03 1995.09 - 2001.03	F4R N7Q	3466.89D 4272.90D
2.2 D	G8T 706, G8T 752, G8T 790, G8T 794	2.2	1995.09 - 2001.03		4446.83D
2.2 dT	G8T 760	2.2	1996.03 - 2001.03		4446.83D
3.0	Z7X 765	3.0	1996.02 - 2001.03		4449.84D
LAGUNA II (BG / KG)					
1.6 16V	K4M 710, K4M 711, K4M 714, K4M 716	1.6	2001.03 -		3466.89D
1.8 16V	F4P 770, F4P 771, F4P 773, F4P 774, F4P 775	1.8	2001.03 -		3466.89D

Thermostate
Thermostats
Thermostats



RENAULT

	Motor Engine Moteur	Ltr. Ltr. Ltr.	Jahr Year Année	Einschränkung Restriction* Restriction*	Thermostat Thermostat Thermostat
1.9 dCi	F9Q 670, F9Q 750, F9Q 754, F9Q 756	1.9	2001.03 - 2001.03 -	Motornummer →010608 Motornummer 010608→	3470.89D50 410517.89D ▲
1.9 dCi	F9Q 664, F9Q 674, F9Q 752, F9Q 758, F9Q 759	1.9	2005.01 -		410517.83D ▲
2.0 16V	F4R 712, F4R 713, F4R 714, F4R 715, F4R 784, F4R 786, F4R 787, F4R 886, F4R 887	2.0	2002.08 -		3466.89D
2.0 16V DIE	F5R 700	2.0	2001.04 -		3466.89D
2.0 16V Turbo	F4R 764, F4R 765, F4R 786, F4R 787	2.0	2003.01 -		3466.89D
LAGUNA III (BT0 / KT0)					
1.5 dCi	K9K 780	1.5	2007.10 -		411040.83D ▲
2.0 16V	M4R 704	2.0	2007.10 -		411241.82D ▲
LOGAN (LS / KS)					
1.4	K7J 710	1.4	2004.09 -		3466.89D
1.5 dCi	K9K 792	1.5	2007.04 -		411043.89D ▲
1.6	K7M 710	1.6	2004.09 -		3466.89D
MASCOTT					
90	8140.43.B.3586, 8140.43.B.3588, 8140.43.C.2586, 8140.63.2585	2.8	2000.01 - 2004.06 1999.01 - 2001.12		4151.76D 4174.79D
110	8140.43.B.3586, 8140.43.B.3588, 8140.43.C.2586	2.8	1999.01 - 2004.06		4151.76D
130	8140.43.S.2585, 8140.43.S.3585	2.8	1999.01 - 2004.06		4151.76D
140	8140-43 k	2.8	2001.01 - 2004.06		4151.76D
150	8140.43N.3585	2.8	2001.10 - 2004.06		4174.79D
MASTER I					
28-35 2,5 D	8140.67.2510, S8U 742	2.5	1989.08 - 1998.07 1989.08 - 1998.07	S8U 742 8140.67	4008.79D 4151.76D
28-35 2,5 TD	8140.27.2580, S9U 702	2.5	1989.08 - 1998.07	8140.27	4151.76D
28-35 2.0	829 730, 829 731, J5R 718, J5R 728	2.0	1980.08 - 1998.07		4122.87D
28-35 2.1 D	J8S 330	2.0	1980.08 - 1998.07		4147.80D
28-35 2.4 D	8140.61.2300, S8U 731	2.4	1980.08 - 1988.09 1980.08 - 1989.08 1988.09 - 1989.08	S8U 731 8140.61 S8U 731	4008.79D 4151.76D 4174.79D
28-35 2.5 D	8140.61.2300, 8140.67.2510, S8U 731, S8U 742	2.5	1980.09 - 1988.09 1980.09 - 1998.07 1988.09 - 1998.07	S8U 731, S8U 742 8140.61, 8140.67 S8U 731	4008.79D 4151.76D 4174.79D
30 2,2	J7T 782, J7T 788	2.2	1980.08 - 1998.07		4122.87D
35 2,5 TD	8140.27.2500, 8140.27.2510, S9U 714	2.5	1989.08 - 1998.07	8140.27	4151.76D
MASTER II					
1.9 dCi 80	F9Q 772, F9Q 774	1.9	2001.11 -		410517.83D ▲
1.9 dTI	F9Q 770	1.9	2000.09 -	Motornummer 000529→	3470.89D50
2.5 D	S8U 770	2.5	1998.07 - 2001.01		4174.79D
2.8 dTI	S9W 702	2.8	1998.07 - 2001.10		4174.79D
MEGANE I (BA)					
1.4 16V	K4J 714, K4J 750	1.4	1999.03 -		3466.89D
1.4 e	E7J 626, E7J 764	1.4	1996.01 -		3466.89D
1.4 Eco	E7J 624	1.4	1996.01 - 1999.03		3466.89D

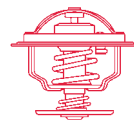


Thermostate
Thermostats
Thermostats

RENAULT

	Motor Engine Moteur	Ltr. Ltr. Ltr.	Jahr Year Année	Einschränkung Restriction* Restriction*	Thermostat Thermostat Thermostat
1.6	K7M 704	1.6	2000.02 - 2000.09		3466.89D
1.6 16V	K4M 700, K4M 701, K4M 704, K4M 708	1.6	1999.03 -		3466.89D
1.6 e	K7M 702, K7M 703, K7M 790	1.6	1996.01 - 1999.03		3466.89D
1.6 i	K7M 720	1.6	1996.01 - 1999.03		3466.89D
1.8 16V	F4P 720, F4P 722	1.8	2001.01 -		3466.89D
1.9 D	F8Q 784	1.9	1996.10 - 1998.01 1998.02 - 1999.02		3470.89D50 410530.89D ▲
1.9 D Eco	F8Q 620, F8Q 624	1.9	1996.01 - 1996.01 -	Motornummer 000529→ →980201 Motornummer 980202→ →000528	3470.89D50 410530.89D ▲
1.9 DCi	F9Q 732, F9Q 733, F9Q 738	1.9	1999.03 - 2003.07 1999.03 - 2003.07 1999.03 - 2003.07	F9Q 732 Motornummer →000528 Motornummer 000529→ →001211 F9Q 732, F9Q 733 Motornummer 001212→	410518.89D ▲ 3470.89D50 410517.89D ▲
1.9 dT	F8Q 784, F8Q 786	1.9	1996.01 - 1996.01 -	Motornummer 000529→ →980201 Motornummer 980202→ →000528	3470.89D50 410530.89D ▲
1.9 dTi	F9Q 730, F9Q 731, F9Q 734, F9Q 736, F9Q 744	1.9	1997.03 - 2001.02 1997.03 - 2000.05 2000.06 - 2001.02 1997.03 - 2001.02	F9Q 731 / 736 Motornummer →000528 F9Q 730/734 Motornummer →000528 Motornummer 000529→ →001210 F9Q 731/736 Motornummer 001211→	410518.89D ▲ 410530.89D ▲ 3470.89D50 410517.89D ▲
1.9 TDI	F8Q 784	1.9	1996.09 - 1996.09 -	Motornummer 000529→ →980201 Motornummer 980202→ →000528	3470.89D50 410530.89D ▲
2.0 16V	F7R 710, F7R 714	2.0	1996.07 -		3470.89D50
2.0 i	F3R 750, F3R 751	2.0	1996.01 -	Motornummer 000529→ →980202	3470.89D50
MEGANE I Cabriolet (EA)					
1.4 16V	K4J 714, K4J 750	1.4	1999.03 -		3466.89D
1.6 16V	K4M 700, K4M 701, K4M 708	1.6	1999.03 -		3466.89D
1.6 e	K7M 702, K7M 703	1.6	1996.10 - 1999.03		3466.89D

Thermostate
Thermostats
Thermostats



RENAULT

	Motor Engine Moteur	Ltr. Ltr. Ltr.	Jahr Year Année	Einschränkung Restriction* Restriction*	Thermostat Thermostat Thermostat
2.0	F3R 750	2.0	1997.04 -	Motornummer 000529→ →980202	3470.89D50
2.0 16V	F4R 746, F4R 770, F7R 710, F7R 714	2.0	2002.01 - 1996.10 - 1999.11		3466.89D 3470.89D50
2.0 16V IDE	F5R 740	2.0	1999.11 -		3466.89D
2.0 i	F3R 791, F3R 796	2.0	1999.03 -	Motornummer 000529→	3470.89D50
MEGANE I Classic (LA)					
1.4	E7J 626, E7J 764	1.4	1996.09 -		3466.89D
1.4 16V	K4J 714, K4J 750	1.4	1999.03 -		3466.89D
1.6 16V	K4M 700, K4M 701, K4M 708	1.6	1999.03 -		3466.89D
1.6 e	K7M 702, K7M 703, K7M 790	1.6	1996.09 - 1999.03		3466.89D
1.6 i	K7M 720	1.6	1996.09 - 1999.03		3466.89D
1.8 16V	F4P 720, F4P 722	1.8	2001.01 -		3466.89D
1.9 D	F8Q 620, F8Q 624	1.9	1996.09 -	Motornummer 000529→ →980201	3470.89D50
			1996.09 -	Motornummer 98202→ →000528	410530.89D ▲
1.9 dCi	F9Q 732, F9Q 733, F9Q 738	1.9	2001.02 -	F9Q 732 Motornummer →001210	410518.89D ▲
			2001.02 -	F9Q 732, F9Q 733, F9Q 738 Motornummer 001211→	410517.89D ▲
1.9 dT	F8Q 784, F8Q 786	1.9	1996.09 -	Motornummer 000529→ →980201	3470.89D50
			1996.09 -	Motornummer 980202→ →000528	410530.89D ▲
1.9 dTi	F9Q 730, F9Q 731, F9Q 734, F9Q 736, F9Q 744	1.9	1997.03 - 2001.02	F9Q 731 / 736 Motornummer →000528	410518.89D ▲
			1997.03 - 2001.02	F9Q 730/734 Motornummer →000528	410530.89D ▲
			1997.03 - 2001.02	Motornummer 000529→ →001210	3470.89D50
			1997.03 - 2001.02	F9Q 731/736 Motornummer 001211→	410517.89D ▲
1.9 TDI	F8Q 784	1.9	1996.09 -	Motornummer 000529→ →980201	3470.89D50
			1996.09 -	Motornummer 980202→ →000528	410530.89D ▲
2.0 i	F3R 750, F3R 751, F3R 752	2.0	1996.09 -	Motornummer 000529→	3470.89D50
MEGANE I Coach (DA0/1_)					
1.4 16V	K4J 714, K4J 750	1.4	1999.03 - 2003.08		3466.89D
1.6 16V	K4M 700, K4M 701, K4M 708	1.6	1999.03 - 2003.08		3466.89D

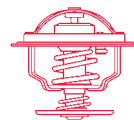


Thermostate
Thermostats
Thermostats

RENAULT

	Motor Engine Moteur	Ltr. Ltr. Ltr.	Jahr Year Année	Einschränkung Restriction* Restriction*	Thermostat Thermostat Thermostat
1.6 e	K7M 702, K7M 703	1.6	1996.03 - 1999.03		3466.89D
1.9 dCi	F9Q 732, F9Q 733, F9Q 738	1.9	2001.02 - 2003.08	F9Q 732 Motornummer →000528	410518.89D ▲
			1999.03 - 2003.08	F9Q 732 Motornummer 000529→ →001210	3470.89D50
			2001.02 - 2003.08	F9Q 732, F9Q 733 Motornummer 001211→	410517.89D ▲
1.9 dTi	F9Q 731, F9Q 734, F9Q 736	1.9	1997.03 - 2001.02	F9Q 731 / 736 Motornummer →000528	410518.89D ▲
			1997.03 - 2001.02	F9Q 734 Motornummer →000528	410530.89D ▲
			1997.03 - 2001.02	Motornummer 000529→ →001210	3470.89D50
			1997.03 - 2001.02	F9Q 731/736 Motornummer 001211→	410517.89D ▲
2.0 16V	F4R 746	2.0	2002.01 - 2003.08		3466.89D
2.0 16V (DA0H)	F7R 710, F7R 714	2.0	1996.03 - 1999.11	Motornummer →980202	3470.89D50
2.0 16V DIE	F5R 740	2.0	1999.11 - 2003.08		3466.89D
2.0 i		2.0	1999.03 - 2003.08	F5R	3466.89D
2.0 i (DA0G)	F3R 750, F3R 751	2.0	1996.03 - 2003.08	Motornummer 000529→ →980202	3470.89D50
MEGANE I Grandtour (KA0/1_)					
1.4 16V	K4J 714, K4J 750	1.4	1999.03 -		3466.89D
1.4 e	E7J 626	1.4	1999.03 -		3466.89D
1.6 16V	K4M 700, K4M 701, K4M 704, K4M 708	1.6	1999.03 -		3466.89D
1.6 e	K7M 702, K7M 703	1.6	1999.03 -		3466.89D
1.8 16V	F4P 720, F4P 722	1.8	2001.01 -		3466.89D
1.9 D	F8Q 622, F8Q 790	1.9	1999.04 -	Motornummer →000528	410518.89D ▲
			1999.04 -	Motornummer →000528	410530.89D ▲
			1999.04 -	Motornummer 000529→	3470.89D50
1.9 dCi	F9Q 732, F9Q 733, F9Q 738	1.9	2001.02 -	F9Q 732 Motornummer →000528	410518.89D ▲
			2001.02 -	F9Q 732 Motornummer 000529→ →001210	3470.89D50
			2001.02 -	F9Q 732, F9Q 733, F9Q 738 Motornummer 001211→	410517.89D ▲

Thermostate
Thermostats
Thermostats



RENAULT

	Motor Engine Moteur	Ltr. Ltr. Ltr.	Jahr Year Année	Einschränkung Restriction* Restriction*	Thermostat Thermostat Thermostat
1.9 dTi (KA0N)	F9Q 731, F9Q 736	1.9	1999.03 - 2001.02	Motornummer →000528	410518.89D ▲
			1999.03 - 2001.02	Motornummer 000529→	3470.89D50
1.9 dTi (KA1U)	F9Q 744	1.9	2001.02 -		410517.89D ▲
MEGANE Scenic (JA0/1)					
1.4 i	E7J 764	1.4	1997.01 - 1999.09		3466.89D
1.6 e	K7M 702, K7M 703	1.6	1997.01 - 1999.09		3466.89D
1.6 i	K7M 720	1.6	1997.01 - 1999.09		3466.89D
1.9 D	F8Q 790	1.9	1997.03 - 1999.09	Motornummer →000528	410518.89D ▲
			1997.03 - 1999.09	Motornummer 000529→	3470.89D50
1.9 dT	F8Q 784, F8Q 786	1.9	1997.01 - 1999.09	Motornummer 000529→ →980201	3470.89D50
			1997.01 - 1999.09	Motornummer 980202→ →000528	410530.89D ▲
1.9 dTi	F9Q 730, F9Q 734	1.9	1997.04 - 1999.09	Motornummer →000528	410530.89D ▲
			1997.04 - 1999.09	Motornummer 000529→	3470.89D50
2.0 i	F3R 750, F3R 751, F3R 796	2.0	1997.01 - 1999.09		3470.89D50
MEGANE II (BM, CM)					
1.4 16V	K4J 730, K4J 732, K4J 740	1.4	2002.11 -		3466.89D
1.5 dCi	K9K 724, K9K 728, K9K 729, K9K 732, K9K 734	1.5	2003.10 -	K9K 729, K9K 724, K9K 732, K9K 734	411040.83D ▲
			2007.01 -	K9K 728	411042.89D ▲
1.6	K4M 788	1.6	2005.06 -		3466.89D
1.6 16V	K4M 760	1.6	2002.11 -		3466.89D
1.6 Flex-Fuel	K4M 788	1.6	2007.01 -		3466.89D
1.9 dCi	F9Q 750, F9Q 803, F9Q 804, F9Q 808, F9Q 816, F9Q 818	1.9	2002.11 - 2006.09	F9Q 750, F9Q 808, F9Q 803, F9Q 804	410538.89D ▲
2.0 16V	F4R 770	2.0	2002.11 -		3466.89D
2.0 16V Turbo	F4R 776	2.0	2004.05 -		3466.89D
2.0 Renault Sport	F4R 774, F4Rt 774	2.0	2004.05 -		3466.89D
MEGANE II (EM)					
1.5 dCi	K9K 724, K9K 728, K9K 732	1.5	2005.05 -		411040.83D ▲
1.6	K4M 760, K4M 761	1.6	2003.09 -		3466.89D
1.9 dCi	F9Q 800, F9Q 803, F9Q 804, F9Q 816, F9Q 818	1.9	2003.09 - 2006.09	F9Q 800, F9Q 803, F9Q 804	410538.89D ▲
2.0	F4R 770, F4R 771	2.0	2003.09 -		3466.89D
2.0 16V Turbo	F4R 776	2.0	2004.05 -		3466.89D
MEGANE II Grandtour (KM0/1_)					
1.4	K4J 730, K4J 740	1.4	2003.08 -		3466.89D
1.5 dCi	K9K 724, K9K 728, K9K 729, K9K 732, K9K 734, K9K P 732	1.5	2004.02 -	K9K 724, K9K 729, K9K 732, 734	411040.83D ▲
			2004.02 -	K9K 728	411042.89D ▲
1.6	K4M 760, K4M 761	1.6	2003.08 -		3466.89D
1.6 16V Hi-Flex	K4M 762	1.6	2008.02 -		3466.89D
1.9 dCi	F9Q 800, F9Q 803, F9Q 804, F9Q 808	1.9	2003.08 - 2006.09		410538.89D ▲
2.0	F4R 770, F4R 771	2.0	2003.08 -		3466.89D



Thermostate
Thermostats
Thermostats

RENAULT

Motor
Engine
Moteur

Ltr.
Ltr.
Ltr.

Jahr
Year
Année

Einschränkung
Restriction*
Restriction*

Thermostat
Thermostat
Thermostat

MEGANE II Stufenheck (LM)

1.4	K4J 730, K4J 732, K4J 740	1.4	2003.09 -		3466.89D
1.5 dCi	K9K 724, K9K 728, K9K 729, K9K 732	1.5	2004.02 - 2007.01 -	K9K 724, K9K 729, K9K 732 K9K 728	411040.83D ▲ 411042.89D ▲
1.6	K4M 760, K4M 761, K4M 762, K4M 768	1.6	2003.09 -		3466.89D
1.9 dCi	F9Q 800, F9Q 803, F9Q 804, F9Q 808	1.9	2003.09 - 2006.09		410538.89D ▲
2.0	F4R 770, F4R 771	2.0	2003.09 -		3466.89D

MEGANE III Schrägheck (BZ0_)

1.4 TCe	H4J 700	1.4	2009.04 -		411241.82D ▲
1.5 dCi	K9K 836, K9K H 834	1.5	2008.11 -		411040.83D ▲
2.0 CVT	M4R 711	2.0	2009.02 -		411241.82D ▲

MEGANE III Kombi (KZ0/1)

1.4 TCe (DZ0F, DZ1V)	H4J 700	1.4	2009.05 -		411241.82D ▲
2.0 CVT	M4R F 713	2.0	2009.05 -		411241.82D ▲

MEGANE III Coupe (DZ0/1_)

1.4 TCe (DZ0F, DZ1V)	H4J 700	1.4	2009.04 -		411241.82D ▲
1.5 dCi	K9K H 834, K9K J 836	1.5	2008.11 -		411040.83D ▲
2.0 CVT	M4R 711, M4R F 711, M4R F 713	2.0	2009.05 -		411241.82D ▲
1.4 TCe (DZ0F, DZ1V)	H4J 700	1.4	2009.04 -		411241.82D ▲
2.0 CVT	M4R 711, M4R F 711, M4R F 713	2.0	2009.05 -		411241.82D ▲

MESSENGER

B 80	8140.07.2530 ID, 8140.07.2585, 8140.67.2585	2.5	1990.09 - 1999.06		4174.79D
B 110	8140.23.2565, 8140.23.2585	2.8	1996.09 - 1999.06 1996.09 - 1999.06		4151.76D 4174.79D
B 120	8140.43.2585, 8140.47.2530 IDR, 8140.47.2585, 8140.47.2590	2.8	1994.01 - 1999.06 1991.10 - 1999.06		4151.76D 4174.79D

MODUS (F/JP0)

1.2	D4F 740	1.2	2004.12 -		3166.89D
1.2 16V	D4F 784	1.2	2007.05 -		3166.89D
1.5 dCi	K9K 764, K9K 766, K9K 772	1.5	2004.12 - 2007.05 -	K9K 764, K9K 766 K9K 772	411040.83D ▲ 411042.89D ▲

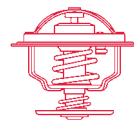
RAPID Kasten (F40, G40)

1.0		1.0	1986.02 - 1992.05		3029.89
1.1	C1E 750, C1E 752, C1E 754, C1E 756, C1E 760, C1E 762, C1E 792	1.1	1985.07 - 1995.04		3029.89
1.2	C3G 710, C3G 712	1.2	1991.09 - 1998.03		3029.89
1.4	C1J 768, C1J 780, C2J 784, C3J 700, C3J 702, C3J 760, C3J 762, E7J 720, E7J 724, E7J 726, E7J 728, E7J 773	1.4	1985.07 - 1998.03 1991.09 - 1998.03		3029.89 3469.91D
1.6 D	F8M 720, F8M 730, F8M 736, F8M 760	1.6	1986.03 - 1998.08		3470.89D50
1.9 D	F8Q 640, F8Q 682, F8Q 722, F8Q 724, F8Q 774, F8Q 776	1.9	1991.09 - 1998.03		3470.89D50

RODEO 4 / 5 / 6

0.8	800 01, 800.02	0.8	1970.05 - 1981.11		3029.86
-----	----------------	-----	-------------------	--	---------

Thermostate
Thermostats
Thermostats



RENAULT

	Motor Engine Moteur	Ltr. Ltr. Ltr.	Jahr Year Année	Einschränkung Restriction* Restriction*	Thermostat Thermostat Thermostat
1.1	688 712, 688.10	1.1	1973.08 - 1987.12		3029.86
SAFRANE I					
2.5 dT	S8U 762, S8U 763	2.5	1992.12 - 1996.07		3116.82D
3.0 Biturbo	Z7X 726	3.0	1993.02 - 1996.07		4449.84D
3.0 V6	Z7X 721, Z7X 722, Z7X 723	3.0	1992.12 - 1996.07		4449.84D
SAFRANE II					
2.0 16V	N7Q 710, N7Q 711	2.0	1996.07 - 2000.12		4272.90D
2.2 dT	G8T 740	2.2	1996.07 - 2000.12		4446.83D
2.5 20V	N7U 700, N7U 701	2.5	1996.07 - 2000.12		4272.90D
3.0 V6	Z7X 721, Z7X 722, Z7X 723	3.0	1996.07 - 2000.12		4449.84D
SCÉNIC I (JA)					
1.4 16V	K4J 714, K4J 750	1.4	1999.09 - 2003.08		3466.89D
1.6 16V	K4M 700, K4M 701, K4M 704, K4M 708	1.6	1999.09 - 2003.08		3466.89D
1.8 16V	F4P 720, F4P 722	1.8	2001.01 - 2003.08		3466.89D
1.9 dCi	F9Q 732, F9Q 733, F9Q 740	1.9	1999.09 - 2003.08	F9Q 732 Motornummer →000528	410518.89D ▲
			1999.09 - 2003.08	F9Q 732 Motornummer 000529→ →001210	3470.89D50
			1999.09 - 2003.08	F9Q 732, F9Q 733, F9Q 740 Motornummer 001211→	410517.89D ▲
1.9 dTi	F9Q 731, F9Q 734, F9Q 736, F9Q 744	1.9	1999.09 - 2003.08	F9Q 731 / 736 Motornummer →000528	410518.89D ▲
			1999.09 - 2003.08	F9Q 734 Motornummer →000528	410530.89D ▲
			1999.09 - 2003.08	F9Q 731/734/736, Motornummer 000529→ →001210	3470.89D50
			1999.09 - 2003.08	F9Q 731/736/744 Motornummer 001211→	410517.89D ▲
2.0 16V	F4R 740, F4R 741, F4R 746	2.0	2000.07 - 2003.08		3466.89D
2.0 16V IDE	F4R 740, F4R 741, F4R 744	2.0	1999.09 - 2003.08		3466.89D
2.0 16V RX4	F4R 744, F4R 746	2.0	2000.06 - 2003.08		3466.89D
SCÉNIC II (JM)					
1.4	K4J 730, K4J 740	1.4	2003.06 -		3466.89D
1.5 dCi	K9K 724, K9K 728, K9K 729, K9K 732, K9K P 732	1.5	2003.11 - 2003.11 -	K9K 729, K9K 724, K9K 732 K9K 728	411040.83D ▲ 411042.89D ▲
1.6	K4M 761, K4M 782, K4M 788	1.6	2003.06 -		3466.89D
1.9 D	F9Q 812, F9Q J 803	1.9	2006.06 - 2006.09		410538.89D ▲
1.9 dCi	F9Q 803, F9Q 812, F9Q E 804	1.9	2003.06 -		410538.89D ▲
2.0	F4R 770, F4R 771	2.0	2003.06 -		3466.89D
2.0 16V Turbo	F4R 776	2.0	2004.05 -		3466.89D
SCÉNIC III (JZ)					
1.4 16V	H4J 700	1.4	2009.02 -		411241.82D ▲

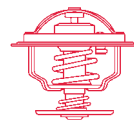


Thermostate
Thermostats
Thermostats

RENAULT

	Motor Engine Moteur	Ltr. Ltr. Ltr.	Jahr Year Année	Einschränkung Restriction* Restriction*	Thermostat Thermostat Thermostat
1.5 dCi	K9K 832	1.5	2009.02 -		411040.83D ▲
2.0 16V	M4R F 713	2.0	2009.02 -		411241.82D ▲
GRAND SCÉNIC					
1.5 dCi	K9K 728, K9K 729, K9K P 732	1.5	2004.04 - 2004.04 - 2006.08	K9K 729 / 732 K9K 728	411040.83D ▲ 411042.89D ▲
1.6	K4M 761, K4M 782, K4M 788	1.6	2004.04 -		3466.89D
1.9 dCi	F9Q 812	1.9	2004.04 -		410538.89D ▲
2.0	F4R 770, F4R 771, F4R 776	2.0	2004.04 -		3466.89D
SPORT SPIDER					
2.0 16V	F7R 710	2.0	1995.03 - 1999.10		3470.89D50
THALIA (LB)					
1.2 16V	D4F 712	1.2	2002.04 -		3166.89D
1.4	K7J 700	1.4	2000.08 -		3466.89D
1.4 16V	K4J 712	1.4	2000.08 -		3466.89D
1.5 dCi	K9K 702, K9K 740	1.5	2005.06 - 2001.06 -	K9K 740 K9K 702	411039.83D ▲ 411043.89D ▲
1.6 16V	K4M 740	1.6	2002.04 -		3466.89D
TRAFIC (P6, T1, T3, T4, T5, T6, T7)					
1.4	847 700, 847 701, C1J 700	1.4	1980.03 - 1989.04		3029.86
1.6	841 705, A1M 705, A1M 707, A1M 708	1.6	1980.03 - 1986.08		3053.85
1.7	F1N 722, F1N 724	1.7	1986.06 - 1989.04		3029.86
2.0	829 720, 829 721, J5R 716, J5R 722, J5R 726	2.0	1980.03 - 1989.04		4122.87D
2.1 D	852 720, 852 750	2.1	1980.03 - 1989.04		4147.80D
2.5 D	8140.61.240, S8U 720, S8U 722	2.5	1980.03 - 1989.04		4008.79D
TRAFIC (PX, TX)					
1.4	C1J 700	1.4	1989.05 - 1991.06		3029.86
1.7	F1N 720, F1N 722, F1N 724	1.7	1989.05 - 1994.08		3470.89D50
1.9 D	F8Q 606	1.9	1997.06 - 2001.03 1997.06 - 2001.03	Motornummer 000529→ →980201 Motornummer 980202→ →000528	3470.89D50 410530.89D ▲
2.0	J5R 716, J5R 726	2.0	1989.05 - 1997.10		4122.87D
2.1 D	852 720, 852 750, J8S 620, J8S 758	2.1	1989.05 - 1997.10		4147.80D
2.2	J7T 600, J7T 780	2.2	1989.05 - 1997.10		4122.87D
2.5 D	8140.61.240, 8140.67.2500, 8140.67.2550, 8140.67.2580, S8U 720, S8U 722, S8U 750, S8U 752, S8U 758	2.5	1989.05 - 2001.03 1989.05 - 2001.03	S8U 758, 8140.61 S8U750, S8U752, 8140.67, S8U720, S8U722	4151.76D 4174.79D
TRAFIC (FL, JL, EL)					
1.9 dCi	F9Q 762	1.9	2001.04 - 2003.07		410517.83D ▲
1.9 dCi 100	F9Q 760	1.9	2001.03 -		410517.83D ▲
1.9 dCi 80	F9Q 762	1.9	2001.03 -		410517.83D ▲
2.0	F4R 720, F4R 722	2.0	2001.03 -		3466.89D
1.9 dCi	F9Q 762	1.9	2001.04 - 2003.07		410517.83D ▲
1.9 dCi 100	F9Q 760	1.9	2001.03 -		410517.83D ▲
1.9 dCi 80	F9Q 762	1.9	2001.03 -		410517.83D ▲
2.0	F4R 720, F4R 722	2.0	2001.03 -		3466.89D

Thermostate
Thermostats
Thermostats



RENAULT

	Motor Engine Moteur	Ltr. Ltr. Ltr.	Jahr Year Année	Einschränkung Restriction* Restriction*	Thermostat Thermostat Thermostat
TWINGO (C06_)					
1.2	C3G 700, C3G 702, D7F 700, D7F 701, D7F 702, D7F 703, D7F 704	1.2	1993.03 - 1996.10 1998.07 - 1996.05 - 1998.06	C3G D7F D7F	3029.89 3166.89D 3174.89D
1.2 16V	D4F 702, D4F 704, D4F 708	1.2	2001.01 -		3166.89D
TWINGO (CN0_)					
1.2	D7F 800	1.2	2007.03 -		3166.89D
1.5 dCi	K9K 740	1.5	2007.03 -		411040.83D ▲
TWINGO Kasten (S06_)					
1.2	C3G 700, C3G 702, D7F 700, D7F 701, D7F 702, D7F 703, D7F 704, D7F 706	1.2	1993.03 - 1996.05 1998.07 - 1996.05 - 1998.06	C3G D7F D7F	3029.86 3166.89D 3174.89D
VEL SATIS (BJ0)					
2.0 16V Turbo	F4R 762, F4R 763, F4R 766, F4R 767	2.0	2002.06 -		3466.89D

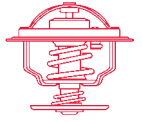


Thermostate
Thermostats
Thermostats

ROVER

	Motor Engine Moteur	Ltr. Ltr. Ltr.	Jahr Year Année	Einschränkung Restriction* Restriction*	Thermostat Thermostat Thermostat
100 METRO (XP)					
114 D	TUD 3	1.4	1992.10 - 1994.12		4821.89D
115 D	TUD 5	1.5	1994.12 - 1998.12		4821.89D
200 (XH)					
213 S	EV 2	1.3	1985.09 - 1989.09		4269.78D ▲
200 (XW)					
216	D 16 A8	1.6	1992.10 - 1999.06		4269.78D ▲
216 GSi	D 16 A7, D 16 Z2	1.6	1992.10 - 1995.10		4269.78D ▲
216 GTi	D 16 A8, D 16 A9	1.6	1992.10 - 1995.10		410224.82D ▲
218 TD	XUD 7TE	1.8	1991.09 - 1995.10		4147.80D
400 (RT, XW)					
1.6 i	D 16 A8, D 16 Z2	1.6	1994.05 - 1996.02 1994.05 - 1996.02	D 16 A8 D 16 Z2	410224.82D ▲ 4269.78D ▲
1.8 TD	XUD 7TE	1.8	1993.09 - 1998.11		4147.80D
416 GSI	D 16 Z2	1.6	1992.10 - 1995.04		4269.78D ▲
416 GSI/GSE	D 16 A7	1.6	1992.10 - 1995.04		4269.78D ▲
416 GTI	D 16 A8	1.6	1992.10 - 1995.04		410224.82D ▲
416 GTI/GTE	D 16 A9	1.6	1992.10 - 1995.04		410224.82D ▲
418 D		1.8	1991.09 - 1995.04		4147.80D
418 TD	XUD 7TE	1.8	1991.09 - 1995.04		4147.80D
600 (RH)					
618 i/Si	F 18 A3	1.9	1996.03 - 1999.02		4269.78D ▲
620 i	F 20 Z2	2.0	1993.08 - 1996.06		4269.78D ▲
620 Si	F 20 Z1	2.0	1993.08 - 1999.02		4269.78D ▲
623 Si	H 23 A3	2.3	1993.08 - 1999.02		4269.78D ▲
800 (XS)					
820 16 V I/SI	20 HD	2.0	1986.10 - 1988.10		3004.82
820 i/Si	20 HD	2.0	1988.10 - 1991.12		3004.82
820 SI	20 HD M 16	2.0	1988.10 - 1991.12		3004.82
820 SI (XS)	20 HD M 16	2.0	1988.10 - 1991.12		3004.82
825 D/SD	425 SL1RR, 492 4 SHIRG	2.5	1990.01 - 1999.02		4158.80D
825 SD	425 SL1RR, 492 4 SHIRG	2.5	1993.09 - 1999.02		4158.80D
MINI MK I					
1000	99 HD 81	1.0	1992.01 - 1993.06		3004.82
1300	12 A2A, 12 A2B, 12 A2D, 12 A2E, 12 A2L	1.3	1991.01 - 1995.04		3004.82
MINI MK I Cabriolet					
1300	12 A2E	1.3	1992.09 - 1995.04		3004.82
MONTEGO Estate (XE)					
2.0 GTI/LXI	20 H	2.0	1990.12 - 1993.12		3004.82

Thermostate
Thermostats
Thermostats



SAAB

	Motor Engine Moteur	Ltr. Ltr. Ltr.	Jahr Year Année	Einschränkung Restriction* Restriction*	Thermostat Thermostat Thermostat
90					
2.0	B 20 I	2.0	1984.08 - 1987.08		4154.82D
95					
1.5 V4	Ford V4, Ford V4 (EGR)	1.5	1965.10 - 1978.12		3021.88D50
96					
1.5 V4	Ford V4, Ford V4 (EGR)	1.5	1965.10 - 1980.08		3021.88D50
99					
1.7		1.7	1968.08 - 1971.05		4022.82D
1.85		1.9	1970.10 - 1974.05		4022.82D
1.85 i		1.9	1971.10 - 1972.09		4022.82D
2.0	B 20 P, B20T	2.0	1972.10 - 1978.05		4022.88D
2.0 EMS	B 20 I	2.0	1972.04 - 1978.12		4022.88D
2.0 GL	B 20 C, B 20 I	2.0	1974.09 - 1984.12		4022.88D
2.0 i	BI 20	2.0	1981.01 - 1984.12		4022.88D
2.0 Turbo		2.0	1977.10 - 1980.06		4022.88D
9-3 (YS3D)					
2.0 i	B204I	2.0	1998.02 - 2003.08		4154.88D
2.0 SE Turbo	B204R	2.0	1998.02 - 2003.08		4154.88D
2.0 Turbo	B204E, B204L, B205E, B205L, B205R	2.0	1998.02 - 2003.08		4154.88D
2.2 TiD	D223L, X 22 DTH	2.2	1998.02 - 2002.09		4193.92D
2.3	B235R	2.3	1999.09 - 2002.01		4154.88D
2.3 i	B234I	2.3	1998.02 - 2003.08		4154.88D
2.3 Turbo	B235R	2.3	1998.10 - 2003.08		4154.88D
9-3 (YS3F)					
1.8 t	B207E	1.8	2005.03 -		411193.82D ▲
1.8 t BioPower	B207E, B207L	1.8	2007.01 -		411193.82D ▲
1.9 TiD	Z19DT, Z19DTH	1.9	2004.09 -		410049.88D ▲
1.9 TTiD	A 19 DTR, Z 19 DTR	1.9	2007.12 -		410049.88D ▲
2.0		2.0	2006.04 - 2007.09		411193.82D ▲
2.0 T	B207E, B207L, B207R	2.0	2002.09 -		411193.82D ▲
2.0 T BioPower	B207L, B207R	2.0	2002.09 -		411193.82D ▲
2.0 T XWD	B207R	2.0	2008.06 -		411193.82D ▲
2.0 Turbo Performance		2.0	2004.04 - 2007.08		411193.82D ▲
2.0 Turbo XWD	B207R	2.0	2002.09 -		411193.82D ▲
2.2 TiD	D223L	2.2	2002.09 -		4297.92D
9-3X					
2.0 T	B207R	2.0	2009.02 -		411193.82D ▲
2.0 T BioPower	B207R	2.0	2009.02 -		411193.82D ▲
9-5					
1.9 TiD	Z19DTH	1.9	2006.01 -		410049.88D ▲
2.0	B205L	2.0	2000.07 - 2001.07		4154.88D
2.0 t	B204R, B205E	2.0	1997.09 -		4154.88D
2.0 t BioPower	B205E	2.0	2005.01 -		4154.88D
2.0 Turbo SE	B205E	2.0	1998.10 - 2000.07		4154.88D
2.2 TiD	D223L	2.2	2002.03 -		4297.92D
2.3		2.3	2003.06 - 2005.08		4154.88D
2.3 t	B235E	2.3	1997.09 -		4154.88D
2.3 t BioPower	B235E	2.3	2006.11 -		4154.88D
2.3 Turbo	B235E, B235L, B235R	2.3	1999.10 - 2001.09		4154.88D

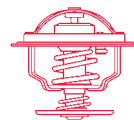


Thermostate
Thermostats
Thermostats

SAAB

	Motor Engine Moteur	Ltr. Ltr. Ltr.	Jahr Year Année	Einschränkung Restriction* Restriction*	Thermostat Thermostat Thermostat
900 I					
2.0	B202I, B202S	2.0	1983.09 - 1991.10 1987.10 - 1993.10		4022.88D 4154.82D
2.0 -16	B202I, B202S, B202XI	2.0	1986.01 - 1994.06		4154.82D
2.0 c	B 20, B201XC, B20T, BT 20	2.0	1978.09 - 1988.12		4022.88D
2.0 EMS	BI 20	2.0	1978.09 - 1979.08 1979.01 - 1980.12		4022.82D 4022.88D
2.0 i	B201, B201XI, BI 20	2.0	1980.11 - 1990.08		4022.88D
2.0 S Turbo-16	B202S	2.0	1991.07 - 1994.06		4154.82D
2.0 T8		2.0	1986.10 - 1989.09		4022.88D
2.0 Turbo	B201S, B201XL, BSI 20	2.0	1978.09 - 1991.12		4022.82D
2.0 Turbo-16	B202L, B202XL	2.0	1984.02 - 1994.06		4154.82D
2.0 Turbo-16 S	B202XL	2.0	1984.01 - 1993.12		4154.82D
2.1 -16	B212I	2.1	1990.08 - 1994.06		4154.82D
2.1 16 S		2.1	1989.10 - 1992.07 1989.10 - 1992.07		4154.82D 4154.88D
900 II					
2.0 -16 Turbo	B204L	2.0	1993.07 - 1998.02		4154.88D
2.0 i	B204I, B206I	2.0	1993.07 - 1998.02		4154.88D
2.3 -16	B234I	2.3	1993.07 - 1998.02		4154.88D
2.5 -24 V6	B258I	2.5	1993.07 - 1998.02		4175.92D
9000					
2.0 -16	B202I, B202XI, B202XI (KAT)	2.0	1985.12 - 1993.01		4154.82D
2.0 -16 CD	B204E, B204I, B204S	2.0	1993.09 - 1998.12		4154.82D
2.0 -16 CS	B202I, B204I	2.0	1989.01 - 1998.12		4154.82D
2.0 -16 ND Turbo	B202S, B204E, B204S	2.0	1993.09 - 1998.12		4154.82D
2.0 -16 Turbo	B202, B202XL	2.0	1984.09 - 1993.08		4154.82D
2.0 -16 Turbo CD	B202L, B202S, B202XL, B204E	2.0	1988.09 - 1998.12		4154.82D
2.0 -16 Turbo CS	B202L	2.0	1988.09 - 1998.12		4154.82D
2.0 T16		2.0	1989.06 - 1990.10		4154.88D
2.3	B234R	2.3	1990.09 - 1998.10		4154.88D
2.3 -16 Aero CS	B234R	2.3	1993.02 - 1998.12		4154.82D
2.3 -16 CD	B234I	2.3	1989.08 - 1998.12		4154.82D
2.3 -16 CD Turbo	B234L	2.3	1990.07 - 1998.12		4154.82D
2.3 -16 CDE	B234I	2.3	1993.09 - 1998.12		4154.82D
2.3 -16 CDE Eco-Power	B234E	2.3	1993.09 - 1998.12		4154.82D
2.3 -16 CS	B234I	2.3	1989.09 - 1998.12		4154.82D
2.3 -16 CSE	B234I	2.3	1993.09 - 1998.12		4154.82D
2.3 -16 CSE Eco Power	B234E	2.3	1993.09 - 1998.12		4154.82D
2.3 -16 Turbo	B234L	2.3	1990.09 - 1998.12		4154.82D
2.3 -16 Turbo CSE	B234L	2.3	1993.09 - 1998.12		4154.82D
3.0 -24 V6 CD/CDE	B308I	3.0	1994.07 - 1998.12		4175.92D
3.0 -24 V6 CS/CSE	B308I	3.0	1994.07 - 1998.12		4175.92D

Thermostate
Thermostats
Thermostats



SEAT

	Motor Engine Moteur	Ltr. Ltr. Ltr.	Jahr Year Année	Einschränkung Restriction* Restriction*	Thermostat Thermostat Thermostat
131					
1.5		1.5	1982.03 - 1985.01		3345.79
2.4 Diesel	8144.61	2.4	1978.06 - 1986.12		4008.79D
ALHAMBRA					
1.8 T 20V	AJH, AWC	1.8	1997.10 - 2010.03		3141.87D
1.9 TDI	1Z, AFN, AHU, ANU, ARL, ASZ, AUY, AVG, BTB, BVK	1.9	1996.04 - 2010.03		4264.87D
2.0 i	ADY, ATM	2.0	1996.04 - 2010.03		4264.87D
2.0 TDI	BRT	2.0	2005.11 - 2010.03		4264.87D
2.8 V6	AUE, AYL	2.8	2000.06 - 2010.03		4123.80D
ALHAMBRA (710)					
2.0 TDI	CFFB, CFGB	2.0	2010.06 -		410845.87D ▲
ALTEA (5P1)					
1.4 16V	BXW, CGGB	1.4	2006.05 - 2006.05 -	mit Gehäuse	3143.87D 410475.87D ▲
1.6	BGU, BSE, BSF, CCSA, CMXA	1.6	2004.03 -		3141.87D
1.6 LPG	CHGA	1.6	2009.09 -		3141.87D
1.6 TDI	CAYB, CAYC	1.6	2009.10 - 2009.10 -	mit Gehäuse ohne Gehäuse	410536.92D ▲ 410537.92D ▲
1.9 TDI	BJB, BKC, BLS, BXE	1.9	2004.04 - 2004.04 -	BJB, BKC, BXE BLS	4264.87D 4820.87D
2.0 FSI	BLR, BLY, BVY, BVZ	2.0	2004.05 - 2009.03	BVY, BVZ	411186.87D ▲
2.0 TDI	AZV, BMM, BMN, CEGA	2.0	2004.03 - 2009.05 2005.11 - 2009.07 2005.11 -	BMN CEGA AZV, BMM	3472.87D 3472.87D 4820.87D
2.0 TDI 16V	BKD, CBDB, CFHC	2.0	2004.03 - 2004.03 -	BKD, CBDB CFHC	3472.87D 410845.87D ▲
2.0 TFSI	BWA	2.0	2006.04 - 2009.05		411187.87D ▲
ALTEA XL (5P5, 5P8)					
1.4 16V	BXW, CGGB	1.4	2006.10 - 2006.10 -	mit Gehäuse	3143.87D 410475.87D ▲
1.6	BSE, BSF, CCSA, CMXA	1.6	2006.10 -		3141.87D
1.6 LPG	CHGA	1.6	2009.09 -		3141.87D
1.6 Multifuel	CCSA	1.6	2006.10 -		3141.87D
1.6 TDI	CAYB, CAYC	1.6	2009.10 - 2009.10 -	mit Gehäuse ohne Gehäuse	410536.92D ▲ 410537.92D ▲
1.9 TDI	BLS, BXE	1.9	2006.10 - 2006.10 -	BXE BLS	4264.87D 4820.87D
2.0 TDI	AZV, BKD, BMM, BMN, CEGA	2.0	2004.03 - 2009.05 2005.11 - 2009.07 2005.11 -	BKD, BMN CEGA AZV, BMM	3472.87D 3472.87D 4820.87D
2.0 TDI 16V	BKD, CBDB, CFHC	2.0	2004.03 - 2004.03 -	BKD, CBDB CFHC	3472.87D 410845.87D ▲
2.0 TFSI	BWA	2.0	2007.06 - 2009.05		411187.87D ▲
AROSA					
1.0	AER, ALD, ALL, ANV, AUC	1.0	1997.05 - 2004.06 1997.05 - 2004.06	mit Gehäuse	3143.87D 410989.87D ▲
1.4	AEX, AKK, AKV, ANW, APQ, AUD	1.4	1997.05 - 2004.06 1997.05 - 2004.06	mit Gehäuse	3143.87D 410989.87D ▲
1.4 16V	AFK, AQQ, AUB	1.4	2000.01 - 2004.06 2000.01 - 2004.06	mit Gehäuse	3143.87D 410989.87D ▲
1.4 TDI	AMF	1.4	2000.01 - 2004.06		4264.87D
1.7 SDI	AKU	1.7	1997.08 - 2004.06		4264.87D

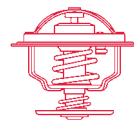


Thermostate
Thermostats
Thermostats

SEAT

	Motor Engine Moteur	Ltr. Ltr. Ltr.	Jahr Year Année	Einschränkung Restriction* Restriction*	Thermostat Thermostat Thermostat
CORDOBA (6K2/C2, 6K5)					
1.0	AAU, ALD, ANV, AST, AUC, AVZ	1.0	1999.05 - 2002.10	ALD, ANV, AST, AUC, AVZ	3143.87D
			1999.05 - 2002.10	ALD, ANV, AST, AUC, AVZ mit Gehäuse	410989.87D ▲
			1993.02 - 1996.06	AAU	4264.84D
1.0 16V	AST, AVZ	1.0	2000.05 - 2002.10		3143.87D
			2000.05 - 2002.10	mit Gehäuse	410989.87D ▲
1.0 i	AER	1.0	1996.09 - 1999.06		3143.87D
			1996.09 - 1999.06	mit Gehäuse	410989.87D ▲
1.3	2G, AAV	1.3	1993.02 - 1994.08		4264.84D
1.4	AKK, ANW, APE, AQQ, AUA, AUB, AUD	1.4	1997.12 - 2002.12		3143.87D
			1997.12 - 2002.12	mit Gehäuse	410989.87D ▲
1.4 16V	APE, AQQ, AUA, AUB	1.4	1999.06 - 2002.12		3143.87D
			1999.06 - 2002.12	mit Gehäuse	410989.87D ▲
1.4 i	ABD, AEX, AKV, ANX, APQ	1.4	1994.06 - 1999.06	AEX, AKV, ANX, APQ	3143.87D
			1994.06 - 1999.06	AEX, AKV, ANX, APQ mit Gehäuse	410989.87D ▲
			1994.06 - 1999.06	ABD	4264.84D
1.4 i 16V	AFH	1.4	1996.09 - 1999.06		3143.87D
			1996.09 - 1999.06	mit Gehäuse	410989.87D ▲
1.6	AEH, AKL, ALM, APF, AUR	1.6	1999.06 - 2002.12	AEH, AKL, APF, AUR	3141.87D
			1999.05 - 2002.12	ALM	3143.87D
			1999.05 - 2002.12	ALM mit Gehäuse	410989.87D ▲
1.6 i	1F, ABU, AEE, AFT, ALM	1.6	1993.02 - 1999.06	AEE, ALM	3143.87D
			1993.02 - 1999.06	AEE, ALM mit Gehäuse	410989.87D ▲
			1993.02 - 1999.06	ABU	4264.84D
			1994.05 - 1999.06	AFT, 1F	4264.87D
1.7 SDI		1.7	1997.07 - 1999.06		4264.87D
1.8 i	ABS, ACC, ADZ	1.8	1993.02 - 1999.06		4264.87D
1.8 i 16V	ADL	1.8	1993.10 - 1996.08		4264.87D
1.8 T 20V Cupra	AQX, AYP	1.8	2000.07 - 2002.10		3141.87D
1.9 D	1Y, AGR, ALH, ASV	1.9	1993.02 - 2002.09		4264.87D
1.9 SDI	AEY, AGP, AQM	1.9	1996.08 - 1999.06		4264.84D
			1996.09 - 2002.12		4264.87D
1.9 TD	AAZ	1.9	1993.02 - 1996.08		4253.87D
1.9 TDI	1Z, AFN, AGR, AHU, ALH, ASK, ASV	1.9	1996.08 - 2002.12		4264.87D
2.0 i	2E, AGG	2.0	1993.02 - 1999.06		4264.87D
2.0 i 16V	ABF	2.0	1996.08 - 1999.06		4264.84D
CORDOBA (6L2)					
1.2 12V	BXV	1.2	2006.05 - 2009.11	ITW HENSCHEL	3143.87D
			2006.05 - 2009.11	HIMMERMANN	3167.83D ▲
			2006.05 - 2009.11	mit Gehäuse	410475.87D ▲
1.4 16V	AUB, BBY, BBZ, BKY, BXW	1.4	2002.09 - 2009.11	ITW HENSCHEL	3143.87D
			2002.09 - 2009.11	HIMMERMANN	3167.83D ▲
			2002.09 - 2009.11	mit Gehäuse	410475.87D ▲
1.4 TDI	AMF, BMS, BNM, BNV	1.4	2002.10 - 2009.11		4264.87D
1.6	BAH	1.6	2003.04 - 2009.11	mit Gehäuse	410475.80D ▲
1.9 SDI	ASY	1.9	2002.09 -		4264.87D

Thermostate
Thermostats
Thermostats



SEAT

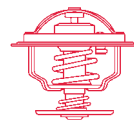
	Motor Engine Moteur	Ltr. Ltr. Ltr.	Jahr Year Année	Einschränkung Restriction* Restriction*	Thermostat Thermostat Thermostat
1.9 TDI	ASZ, ATD, AXR, BLT, BMT	1.9	2002.09 - 2002.09 -	ATD, AXR BMT	4264.87D 4820.87D
2.0	AZL, BBX	2.0	2002.09 - 2009.11		3141.87D
EXEO					
2.0 TDI	CAGA, CAGC, CAHA	2.0	2008.12 - 2009.08		410396.82D ▲
2.0 TFSI	BWE	2.0	2009.03 -		411186.87D ▲
FURA					
0.9	09 NCA, 100 GL 7000, HB 90	0.9	1982.01 - 1986.12		3022.87D
1.4	127 B.7000	1.4	1982.01 - 1986.06		3022.87D
IBIZA I (021A)					
0.9	09 NCA, 146 A 000	0.9	1986.08 - 1993.05		3361.87D
1.2	021 A 1000	1.2	1984.11 - 1993.12		4256.87D50
1.2 i	021 C.1000	1.2	1989.01 - 1993.05		4256.87D50
1.5	021 A 2000	1.5	1984.11 - 1993.05		4256.87D50
1.5 i	021 B.2000, 021 C.2000, 021 D.2000	1.5	1986.10 - 1993.05		4256.87D50
1.7	021 A.3000, 021 B.3000	1.7	1991.01 - 1993.05		4256.87D50
IBIZA II (6K1)					
1.0	AAU	1.0	1993.03 - 1996.09		4264.84D
1.0 i	AER	1.0	1996.09 - 1999.08 1996.09 - 1999.08	mit Gehäuse	3143.87D 410989.87D ▲
1.3 i	2G, AAV	1.3	1993.03 - 1999.08		4264.84D
1.4 i	ABD, AEX, AKV, APQ	1.4	1993.09 - 1999.08 1993.09 - 1999.08 1993.09 - 1999.08	AEX, AKV, APQ AEX, AKV, APQ mit Gehäuse ABD	3143.87D 410989.87D ▲ 4264.84D
1.4 i 16V	AFH	1.4	1996.09 - 1999.08 1996.09 - 1999.08	mit Gehäuse	3143.87D 410989.87D ▲
1.6 i	1F, ABU, AEE, AFT, ALM	1.6	1993.03 - 1999.08 1993.03 - 1999.08 1993.03 - 1999.08 1994.09 - 1999.08	AEE, ALM AEE, ALM mit Gehäuse ABU AFT, 1F	3143.87D 410989.87D ▲ 4264.84D 4264.87D
1.8 i	ABS, ADZ	1.8	1993.03 - 1999.08		4264.87D
1.8 i 16V	ADL	1.8	1993.11 - 1996.08		4264.87D
1.9 D	1Y	1.9	1993.04 - 1996.08		4253.87D
1.9 SDI	AEY	1.9	1996.08 - 1999.08		4264.84D
1.9 TD	AAZ	1.9	1993.03 - 1996.08		4253.87D
1.9 TDI	1Z, AFN, AHU	1.9	1996.08 - 1999.08		4253.87D
2.0 i	2E, AGG	2.0	1993.03 - 1999.08		4264.87D
2.0 i 16V	ABF	2.0	1996.08 - 1999.08		4264.84D
IBIZA III (6K1)					
1.0	ALD, ANV, AUC	1.0	1999.08 - 2002.02 1999.08 - 2002.02	mit Gehäuse	3143.87D 410989.87D ▲
1.0 16V	AST, AVZ	1.0	2000.05 - 2002.02 2000.05 - 2002.02	mit Gehäuse	3143.87D 410989.87D ▲
1.4	AKK, ANW, AUD	1.4	1999.08 - 2002.02 1999.08 - 2002.02	mit Gehäuse	3143.87D 410989.87D ▲
1.4 16V	APE, AQQ, AUA, AUB	1.4	1999.08 - 2002.02 1999.08 - 2002.02	mit Gehäuse	3143.87D 410989.87D ▲



Thermostate
Thermostats
Thermostats

SEAT	Motor Engine Moteur	Ltr. Ltr. Ltr.	Jahr Year Année	Einschränkung Restriction* Restriction*	Thermostat Thermostat Thermostat
1.6	AEH, AKL, ALM, APF, AUR	1.6	1999.08 - 2002.02	AEH, AKL, APF, AUR	3141.87D
			1999.08 - 2002.02	ALM	3143.87D
			1999.08 - 2002.02	ALM mit Gehäuse	410989.87D ▲
1.8 T 20V Cupra	AQX, AYP	1.8	2000.07 - 2002.02		3141.87D
1.9 SDI	AGP, AQM	1.9	1999.08 - 2002.02		4264.87D
1.9 TDI	AGR, ALH, ASK, ASV	1.9	1999.08 - 2002.02		4264.87D
2.0	AZL	2.0	2002.04 -		3141.87D
IBIZA IV (6L1)					
1.4 16V	AUB, BBY, BBZ, BKY, BXW	1.4	2002.02 - 2007.12	ITW HENSCHEL	3143.87D
			2002.02 - 2007.12	HIMMERMANN	3167.83D ▲
			2002.02 - 2007.12	mit Gehäuse	410475.87D ▲
1.4 TDI	AMF, BMS, BNM, BNV	1.4	2002.05 - 2005.12		4264.87D
1.6	BAH	1.6	2003.02 -	mit Gehäuse	410475.80D ▲
1.8 T Cupra R	BBU, BLZ	1.8	2004.01 - 2008.02		3141.87D
1.8 T FR	BJX, BKV	1.8	2003.12 - 2008.05		3141.87D
1.9 SDI	ASY	1.9	2002.02 - 2005.12		4264.87D
1.9 TDI	ASZ, ATD, AXR, BLT, BMT	1.9	2002.02 -	ASZ, ATD, AXR, BLT	4264.87D
			2002.02 -	BMT	4820.87D
1.9 TDI Cupra R	BPX, BUK	1.9	2004.03 - 2008.02		4264.87D
2.0	AZL, BBX	2.0	2002.04 -		3141.87D
IBIZA V (6J1, 6J5)					
1.4	BXW, CGGB	1.4	2008.03 -	ITW HENSCHEL	3143.87D
			2008.03 -	HIMMERMANN	3167.83D ▲
			2008.03 -	mit Gehäuse	410475.87D ▲
1.4 TDI	BMS	1.4	2008.07 -	ohne Gehäuse	4264.87D
1.6 TDI	CAYB, CAYC, CLNA	1.6	2009.05 - 2010.05	mit Gehäuse	410536.92D ▲
			2009.05 - 2010.05	ohne Gehäuse	410537.92D ▲
			2010.06 -		410845.92D ▲
2.0 TDI	CFHD	2.0	2010.01 -		410845.87D ▲
IBIZA V ST (6J8)					
1.6 TDI	CAYB, CAYC, CLNA	1.6	2010.03 - 2010.05	mit Gehäuse	410536.92D ▲
			2010.03 - 2010.05	ohne Gehäuse	410537.92D ▲
			2010.06 -		410845.92D ▲
INCA					
1.4 16V	AUA	1.4	2000.04 - 2003.06	ohne Gehäuse	3143.87D
			2000.04 - 2003.06	mit Gehäuse	410989.87D ▲
1.4 i	AEX, AKV, APQ, AUD	1.4	1995.11 - 2003.06		3143.87D
			1995.11 - 2003.06	mit Gehäuse	410989.87D ▲
1.6 i	1F, AEE, ALM	1.6	1997.06 - 2000.09	ALM, AEE	3143.87D
			1997.06 - 2000.09	ALM, AEE mit Gehäuse	410989.87D ▲
			1995.11 - 1998.05	1F	4253.87D
1.7 D	AHB	1.7	1996.09 - 2003.06		4264.87D
1.9 D	1Y	1.9	1995.11 - 2003.06		4264.87D
1.9 SDI	AEY, AYQ	1.9	1995.11 - 2003.06		4253.87D
1.9 TDI	ALH	1.9	1996.09 - 2003.06		4253.87D
LEON (1M1) 2006<--					
1.4 16V	AHW, APE, AUA, XAP, BCA	1.4	1999.11 - 2006.06		3143.87D
			1999.11 - 2006.06	mit Gehäuse	410989.87D ▲
1.6	AEH, AKL, APF	1.6	1999.11 - 2006.06		3141.87D

Thermostate
Thermostats
Thermostats



SEAT

	Motor Engine Moteur	Ltr. Ltr. Ltr.	Jahr Year Année	Einschränkung Restriction* Restriction*	Thermostat Thermostat Thermostat
1.6 16 V	ATN, AUS, AZD, BCB	1.6	2000.09 - 2006.06 2000.09 - 2006.06	mit Gehäuse	3143.87D 410989.87D ▲
1.8 20V / T	AGN, AJQ, APG, APP, ARY, AUQ	1.8	1999.11 - 2006.06		3141.87D
1.8 T Cupra R	AMK, BAM	1.8	2002.02 - 2006.06		3141.87D
1.9 SDI	AQM	1.9	1999.11 - 2006.06		4264.87D
1.9 TDI	AGR, AHF, ALH, ARL, ASV, ASZ, AXR	1.9	1999.11 - 2006.06		4264.87D
2.8 Cupra 4	AUE	2.8	2001.02 - 2006.06		4123.80D
LEON (1P1) 2006-->					
1.4 16V	BXW, CGGB	1.4	2006.06 - 2006.06 -	mit Gehäuse	3143.87D 410475.87D ▲
1.6	BSE, BSF, CCSA, CMXA	1.6	2005.07 -	BSE, BSF, CCSA	3141.87D
1.6 LPG	CHGA	1.6	2009.12 -		3141.87D
1.6 TDI	CAYC	1.6	2010.02 - 2010.02 -	mit Gehäuse ohne Gehäuse	410536.92D ▲ 410537.92D ▲
1.9 TDI	ASV, BKC, BLS, BXE, BXF	1.9	2005.07 - 2005.07 -	BKC, BXE, BXF, ASV BLS	4264.87D 4820.87D
2.0 FSI	BLR, BLY, BVY, BVZ	2.0	2005.07 - 2010.05	BVY, BVZ	411186.87D ▲
2.0 TDI	AZV, BMM, BMN, CEGA, CFJA	2.0	2005.07 - 2010.05 2006.05 - 2005.10 -	BMN, AZV CFJA BMM	3472.87D 410845.87D ▲ 4820.87D
2.0 TDI 16V	BKD, CFHC	2.0	2005.07 - 2005.07 -	BKD CFHC	3472.87D 410845.87D ▲
2.0 TFSI	BWA	2.0	2005.05 - 2009.03		411187.87D ▲
MALAGA					
1.2	021 A 1000	1.2	1984.11 - 1993.12		4256.87D50
1.2 i	021 C.1000	1.2	1989.12 - 1993.12		4256.87D50
1.5	021 A 2000	1.5	1985.05 - 1993.12		4256.87D50
1.5 i	021 A 2000, 021 B.2000, 021 C.2000, 021 D.2000	1.5	1986.10 - 1993.12		4256.87D50
MARBELLA					
0.8	08 NCA	0.8	1986.08 - 1993.12		3361.87D
0.9	08 NCB, 09 NCA, 09 NCB, 100 GL 7000	0.9	1987.01 - 1998.10		3361.87D
PANDA (141A)					
0.9	100 GL 3000	0.9	1980.10 - 1986.12		3361.87D
RONDA					
1.2	021 A 1000, 124 B6.000	1.2	1983.08 - 1986.12		4256.87D50
1.4	124 B 7000	1.4	1982.06 - 1988.11		3022.87D
1.5	021 A 2000	1.5	1984.09 - 1986.12		4256.87D50
1.6	022 A 000, 138 AR 6000	1.6	1983.08 - 1985.09		4256.87D50
TERRA					
0.9	09 NCA, 09 NCB	0.9	1987.01 - 1996.12		3361.87D
1.3 D	MN	1.3	1990.03 - 1994.12		4264.84D
1.4 D	1 W	1.4	1990.10 - 1995.12		4264.84D
TOLEDO I					
1.6 i	1F, ABN, AFT, EZ	1.6	1991.05 - 1999.03		4264.87D
1.8 16V	KR, PL	1.8	1991.05 - 1999.03		4264.87D
1.8 GT	KR	1.8	1991.05 - 1992.11		4264.87D
1.8 i	ABS, ADZ, RP	1.8	1991.05 - 1996.12		4264.87D
1.9 D	1Y	1.9	1991.05 - 1999.03		4264.87D

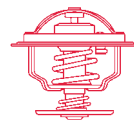


Thermostate
Thermostats
Thermostats

SEAT

	Motor Engine Moteur	Ltr. Ltr. Ltr.	Jahr Year Année	Einschränkung Restriction* Restriction*	Thermostat Thermostat Thermostat
1.9 TD	AAZ	1.9	1991.05 - 1999.03		4264.87D
1.9 TDI	1Z, AFN, AHU	1.9	1995.08 - 1999.03		4264.87D
2.0 i	2E, AGG	2.0	1991.05 - 1999.03		4264.87D
2.0 i 16V	ABF	2.0	1993.11 - 1999.03		4264.84D
TOLEDO II					
1.4 16V	AHW, APE, AUA, AXP, BCA	1.4	1999.07 - 2006.05		3143.87D
			1999.07 - 2006.05	mit Gehäuse	410989.87D ▲
1.6	AEH, AKL, APF	1.6	1999.04 - 2000.09		3141.87D
1.6 16V	AUS, AZD, BCB	1.6	2000.09 - 2006.05		3143.87D
			2000.09 - 2006.05	mit Gehäuse	410989.87D ▲
1.8 20V	AGN, APG	1.8	1999.04 - 2006.05		3141.87D
1.8 20VT	APP, AUQ	1.8	2001.05 - 2006.05		3141.87D
1.9 SDI	AQM	1.9	1999.11 - 2004.06		4264.87D
1.9 TDI	AGR, AHF, ALH, ARL, ASV, ASZ, AXR	1.9	1999.04 - 2006.05		4264.87D
2.3 V5	AGZ	2.3	1999.05 - 2001.05	Ø 67 mm	4123.80D
2.3 V5 20V	AQN	2.3	2001.05 - 2006.05		4123.80D
TOLEDO III					
1.6	BGU, BSE, BSF, CCSA	1.6	2004.10 - 2009.05		3141.87D
1.9 TDI	BJB, BKC, BLS, BXE	1.9	2004.10 - 2004.10 -	BJB, BKC, BXE BLS	4264.87D 4820.87D
2.0 FSI	BLR, BLY, BVY, BVZ	2.0	2004.10 -	BVY, BVZ	411186.87D ▲
2.0 TDI	AZV, BMN, CEGA	2.0	2004.09 - 2009.05	BMN	3472.87D
2.0 TDI 16V	BKD	2.0	2004.04 - 2009.05		3472.87D
2.0 TFSI	BWA	2.0	2005.11 - 2009.05		411187.87D ▲

Thermostate
Thermostats
Thermostats



SKODA

	Motor Engine Moteur	Ltr. Ltr. Ltr.	Jahr Year Année	Einschränkung Restriction* Restriction*	Thermostat Thermostat Thermostat
100					
1.0	OHV	1.0	1970.01 - 1977.12		3029.83
105, 120					
1.0 105	742, 10	1.0	1976.08 - 1990.12		3032.80
1.2 120	742, 12, 742.12 X	1.2	1976.08 - 1990.12		3032.80
110					
1.1	OHV	1.1	1969.12 - 1982.03		3029.83
130					
G, GL, L (S135, S136)	135/8, 742, 13	1.3	1985.02 - 1991.10		3032.80
FABIA (6Y2, 6Y3, 6Y5)					
1.4	BUD	1.4	2006.02 - 2006.10		3143.87D
			2006.02 - 2006.10	mit Gehäuse	410475.87D ▲
1.4 16V	AUA, AUB, BBY, BBZ, BKY, BUD	1.4	1999.10 - 2008.03	ITW HENSCHEL	3143.87D
			1999.10 - 2008.03	HIMMERMANN	3167.83D ▲
			1999.10 - 2008.03	mit Gehäuse	410475.87D ▲
1.4 TDI	AMF, BNM, BNV	1.4	2003.04 - 2008.03		4264.87D
1.9 SDI	ASY	1.9	1999.11 - 2008.03		4264.87D
1.9 TDI	ATD, AXR	1.9	2000.01 - 2008.03		4264.87D
1.9 TDI RS	ASZ, BLT	1.9	2003.06 - 2008.03		4264.87D
2.0	AQY, AZL	2.0	1999.12 - 2008.03		3141.87D
FABIA					
1.4	BXW, CGGB	1.4	2007.01 -		3167.83D ▲
			2007.01 -	mit Gehäuse	410475.87D ▲
1.4 TDI	BMS, BNM, BNV	1.4	2007.01 -		4264.87D
1.6 TDI	CAYA, CAYB, CAYC	1.6	2010.03 - 2010.05	mit Gehäuse	410536.92D ▲
			2010.03 - 2010.05	ohne Gehäuse	410537.92D ▲
			2010.06 -		410845.92D ▲
1.9 TDI	BLS, BSW	1.9	2007.04 -	BSW	4264.87D
			2007.04 -	BLS	4820.87D
FABIA Praktik					
1.4 TDI	BNM	1.4	2005.10 - 2007.12		4264.87D
1.9 SDI	ASY	1.9	2001.07 - 2007.12		4264.87D
FAVORIT					
1.3	135B, 136B, 781.135, 781.135E, OHC	1.3	1991.08 - 1995.06		3032.80
			1992.12 - 1997.06		3032.88
1.3 135	781.135, 781.135E	1.3	1989.05 - 1994.09		3032.80
1.3 136	136 L	1.3	1990.10 - 1994.09		3032.80
FELICIA I					
1.3	135 L, 135B, 136B, AMG, AMH, AMJ	1.3	1994.10 - 1996.01	135B, 136B, 135 L	3032.88
1.6	AEE, EA111	1.6	1995.08 - 1998.03	AEE	3143.87D
			1995.08 - 1998.03	AEE mit Gehäuse	410989.87D ▲
1.9 D	AEF	1.9	1995.10 - 1998.03		4253.87D
FELICIA II					
1.6	AEE	1.6	1998.01 - 2001.06		3143.87D
			1998.01 - 2001.06	mit Gehäuse	410989.87D ▲
1.9 D	AEF	1.9	1998.01 - 2001.06		4253.87D

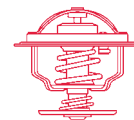


Thermostate
Thermostats
Thermostats

SKODA

	Motor Engine Moteur	Ltr. Ltr. Ltr.	Jahr Year Année	Einschränkung Restriction* Restriction*	Thermostat Thermostat Thermostat
OCTAVIA (1U)					
1.4 16V	AXP, BCA	1.4	2000.08 - 2000.08 -	mit Gehäuse	3143.87D 410989.87D ▲
1.6	AEE, AEH, AKL	1.6	1997.02 - 1996.09 - 2000.09 1996.09 - 2000.09	AEH, AKL AEE AEE mit Gehäuse	3141.87D 3143.87D 410989.87D ▲
1.8	AGN	1.8	1996.09 -		3141.87D
1.8 20V	AGN	1.8	1998.07 -		3141.87D
1.8 T	AGU, ARX, ARZ, AUM	1.8	1997.08 -		3141.87D
1.9 SDI	AGP, AQM	1.9	1997.06 -		4264.87D
1.9 TDI	AGR, AHF, ALH, ASV, ASZ, ATD, AXR	1.9	1996.09 -		4264.87D
2.0	AEG, APK, AQY, AZH, AZJ	2.0	1999.04 -		3141.87D
RS 1.8 T	AUQ	1.8	2001.05 -		3141.87D
OCTAVIA (1Z)					
1.4	BCA, BUD, CGGA	1.4	2004.05 - 2006.05 2004.05 - 2006.05	mit Gehäuse	3143.87D 410475.87D ▲
1.6	BGU, BSE, BSF, CCSA, CMXA	1.6	2004.06 -		3141.87D
1.6 LPG	CHGA	1.6	2009.08 -		3141.87D
1.6 MultiFuel	CCSA	1.6	2008.01 -		3141.87D
1.6 TDI	CAYC	1.6	2009.06 - 2010.05 2009.06 - 2010.05 2010.05 -	mit Gehäuse ohne Gehäuse	410536.92D ▲ 410537.92D ▲ 410845.92D ▲
1.9 TDI	BJB, BKC, BLS, BXE	1.9	2004.06 - 2010.12 2004.06 - 2010.12	BJB, BKC, BXE BLS	4264.87D 4820.87D
2.0 FSI	BLR, BLY, BVY, BVZ	2.0	2004.11 -	BVY, BVZ	411186.87D ▲
2.0 RS	BWA, CCZA	2.0	2005.10 -	BWA	411187.87D ▲
2.0 TDI	AZV, BMM, CFHF, CLCA	2.0	2004.02 - 2010.05 2010.03 - 2005.11 -	AZV CFHF, CLCA BMM	3472.87D 410845.87D ▲ 4820.87D
2.0 TDI 16V	AZV, BKD, CFHC, CLCB	2.0	2004.02 - 2010.05 2004.02 -	BKD, AZV CFHC, CLCB	3472.87D 410845.87D ▲
2.0 TDI RS	BMN, CEGA	2.0	2006.04 - 2009.07		3472.87D
PRAKTIK					
1.4	BXW, CGGB	1.4	2007.03 - 2007.03 - 2007.03 -	ITW HENSCHEL HIMMERMANN mit Gehäuse	3143.87D 3167.83D ▲ 410475.87D ▲
1.4 TDI	BMS, BNM, BNV	1.4	2007.03 -		4264.87D
RAPID (120G, 130G, 135G)					
1.2		1.2	1983.02 - 1990.12		3032.80
1.3	742, 13	1.3	1985.03 - 1991.10		3032.80
1.3 S	135/8	1.3	1984.09 - 1990.12		3032.80
ROOMSTER (5J)					
1.4	BXW, CGGB	1.4	2006.09 - 2006.09 -	mit Gehäuse	3167.83D ▲ 410475.87D ▲
1.4 TDI	BMS, BNM, BNV	1.4	2006.07 -		4264.87D
1.6 TDI	CAYB, CAYC	1.6	2010.03 - 2010.05 2010.03 - 2010.05 2010.06 -	mit Gehäuse ohne Gehäuse	410536.92D ▲ 410537.92D ▲ 410845.92D ▲
1.9 TDI	BLS, BSW	1.9	2006.09 - 2006.09 -	BSW BLS	4264.87D 4820.87D

Thermostate
Thermostats
Thermostats



SKODA

	Motor Engine Moteur	Ltr. Ltr. Ltr.	Jahr Year Année	Einschränkung Restriction* Restriction*	Thermostat Thermostat Thermostat
SUPERB (3U4)					
1.8 T	AWT	1.8	2002.02 - 2008.03		3141.87D
1.9 TDI	AVB, AVF, AWX, BPZ, BSV	1.9	2002.02 - 2008.03		4264.87D
2.0	AZM	2.0	2002.02 - 2008.03		3141.87D
2.0 TDI	BSS	2.0	2005.10 - 2008.03		4264.87D
2.5 TDI	AYM, BDG	2.5	2002.02 - 2008.03		4274.87D
2.8 V6	AMX	2.8	2002.02 - 2008.03		4274.92D
SUPERB (3T4, 3T5)					
1.6 TDI	CAYC	1.6	2010.09 -		410845.92D ▲
1.9 TDI	BLS, BXE	1.9	2008.03 - 2008.03 -	BXE BLS	4264.87D 4820.87D
2.0 TDI	BMP, CBBB, CFGB	2.0	2008.07 - 2009.07 2008.07 - 2009.10 -	CBBB CFGB BMP	3472.87D 410845.87D ▲ 4820.87D
2.0 TDI 16V	BKD, CFFB, CLJA	2.0	2009.01 - 2009.01 -	BKD CFFB, CLJA	3472.87D 410845.87D ▲
YETI					
1.6 TDI	CAYC	1.6	2010.11 -		410845.92D ▲
2.0 TDI	CBDB, CEGA, CFHA, CFHC, CFHF, CFJA, CLCA, CLCB	2.0	2009.05 -	CFHA, CFHC, CFHF, CFJA, CLCA, CLCB	410845.87D ▲



Thermostate
Thermostats
Thermostats

SMART (MCC)

Motor
Engine
Moteur

Ltr.
Ltr.
Ltr.

Jahr
Year
Année

Einschränkung
Restriction*
Restriction*

Thermostat
Thermostat
Thermostat

CABRIO

0.6	M 160 E6AL B03, M 160 E6AL B05	0.6	2000.03 - 2004.01		3142.90D
0.7		0.7	2003.01 - 2004.01		3142.90D
0.8 CDI	OM 660 DE 8LA	0.8	2001.03 - 2004.01		3146.90D

CITY-COUPÉ (MC01)

0.6	M 160 E6AL B03, M 160 E6AL B04, M 160 E6AL B05	0.6	1998.07 - 2004.01		3142.90D
0.7		0.7	2003.01 - 2004.01		3142.90D
0.8 CDI	OM 660 DE 8LA	0.8	1999.11 - 2004.01		3146.90D

CROSSBLADE

0.6		0.6	2002.06 -		3142.90D
-----	--	-----	-----------	--	----------

FORTWO Cabrio

0.7		0.7	2004.01 -		3142.90D
0.8 CDI	OM 660 DE 8LA	0.8	2004.01 -		3146.90D

FORTWO Coupe

0.7		0.7	2004.01 -		3142.90D
0.8 CDI	OM 660 DE 8LA	0.8	2004.01 -		3146.90D

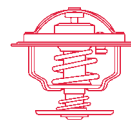
ROADSTER

0.7		0.7	2003.04 -		3142.90D
-----	--	-----	-----------	--	----------

ROADSTER Coupe

0.7		0.7	2003.04 -		3142.90D
-----	--	-----	-----------	--	----------

Thermostate
Thermostats
Thermostats



SSANGYONG

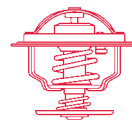
	Motor Engine Moteur	Ltr. Ltr. Ltr.	Jahr Year Année	Einschränkung Restriction* Restriction*	Thermostat Thermostat Thermostat
KORANDO (KJ)					
2.3 D	OM 601.940	2.3	1996.12 - 1996.12 -	ohne Gehäuse mit Gehäuse	4176.85D 4280.85D
2.9 D	MB-OM 662	2.9	1996.12 - 1996.12 -	ohne Gehäuse mit Gehäuse	4176.85D 4280.85D
2.9 TD		2.9	1998.04 - 1998.04 -	ohne Gehäuse mit Gehäuse	4176.85D 4280.85D
3.2	M 104.995	3.2	1996.12 -		4078.87D
KORANDO Cabrio (KJ)					
2.9 D	MB-OM 662	2.9	1997.11 - 1997.11 -	ohne Gehäuse mit Gehäuse	4176.85D 4280.85D
2.9 TD		2.9	1998.04 - 1998.04 -	ohne Gehäuse mit Gehäuse	4176.85D 4280.85D
MUSSO (FJ)					
2.3	M 111.970	2.3	1996.10 -		4276.87D
2.3 D	MB-OM 661, OM 601.940	2.3	1995.10 - 1995.10 -	OM 601.940 ohne Gehäuse OM 601.940 mit Gehäuse	4176.85D 4280.85D
2.9 D	MB-OM 662	2.9	1996.03 - 1996.03 -	ohne Gehäuse mit Gehäuse	4176.85D 4280.85D
2.9 TD		2.9	1998.04 - 1998.04 -	ohne Gehäuse mit Gehäuse	4176.85D 4280.85D
3.2	M 104.992	3.2	1996.06 -		4078.87D
MUSSO SPORTS					
2.9 D		2.9	2004.08 - 2004.08 -	ohne Gehäuse mit Gehäuse	4176.85D 4280.85D
REXTON					
2.9 TD		2.9	2002.04 - 2002.04 -	ohne Gehäuse mit Gehäuse	4176.85D 4280.85D



Thermostate
Thermostats
Thermostats

SUBARU

	Motor Engine Moteur	Ltr. Ltr. Ltr.	Jahr Year Année	Einschränkung Restriction* Restriction*	Thermostat Thermostat Thermostat
FORESTER					
2.0	EJ20	2.0	1997.08 - 2002.09		410230.78D ▲
2.0 S Turbo	EJ20, EJ205	2.0	1998.06 - 2002.09		410230.78D ▲
2.0 X		2.0	2005.09 -		410230.78D ▲
2.5	EJ25	2.5	2003.12 -		410230.78D ▲
2.5 RX	EJ25	2.5	2002.11 - 2005.08		410230.78D ▲
2.5 XT		2.5	2005.09 -		410230.78D ▲
IMPREZA (GC)					
1.6 i	EJ16, EJ161	1.6	1992.08 - 2000.12		410230.78D ▲
1.8 i	EJ18, EJ18E	1.8	1992.08 - 2000.12		410230.78D ▲
2.0	EJ205P	2.0	1998.09 - 2000.09		410230.78D ▲
2.0 i	EJ20	2.0	1995.10 - 2000.12		410230.78D ▲
2.0 Turbo GT	EJ20 (Turbo), EJ205	2.0	1994.03 - 2000.12		410230.78D ▲
IMPREZA (GD, GG)					
1.5		1.5	2001.06 - 2005.09		410230.78D ▲
1.6	EJ16	1.6	2000.12 -		410230.78D ▲
2.0	EJ20	2.0	2000.12 -		410230.78D ▲
2.0 R		2.0	2005.09 -		410230.78D ▲
2.0 Turbo	EJ205	2.0	2000.12 -		410230.78D ▲
2.0 WRX STi	EJ207	2.0	2001.11 -		410230.78D ▲
2.0 WRX Turbo	EJ205	2.0	2000.12 -		410230.78D ▲
2.5 WRX		2.5	2005.09 -		410230.78D ▲
2.5 WRX ST1		2.5	2005.09 -		410230.78D ▲
IMPREZA (GFC)					
1.6	EJ161, EJ16E	1.6	1996.12 - 2000.12		3000.83
2.0	EJ20, EJ205P, EJ20E	2.0	1995.11 - 2000.09		410230.78D ▲
2.0 Turbo	EJ20G	2.0	1996.12 - 2000.12		3000.83
IMPREZA (GF)					
1.5		1.5	1995.11 - 2000.09		410230.78D ▲
1.6	EJ16E	1.6	1993.01 - 1998.08		410230.78D ▲
1.6 i	EJ16, EJ161	1.6	1992.08 - 2000.12		410230.78D ▲
1.8 i	EJ18	1.8	1992.08 - 2000.12		410230.78D ▲
2.0	EJ20	2.0	1995.12 - 2000.12		410230.78D ▲
2.0 16V	EJ20	2.0	1998.06 - 2000.12		410230.78D ▲
2.0 i Turbo	EJ20 (Turbo)	2.0	1994.03 - 2000.12		410230.78D ▲
2.0 Turbo GT	EJ205	2.0	1998.06 - 2000.12		410230.78D ▲
2.0 WRX Sti		2.0	2005.10 -		410230.78D ▲
IMPREZA (GR)					
2.5 Allrad		2.5	2008.01 -		410230.78D ▲
JUSTY I (KAD)					
1000	EF10	1.0	1984.11 - 1995.10		410183.82D ▲
1200	EF12	1.2	1986.10 - 1995.10		410183.82D ▲
LEGACY I (BC, BJF)					
1800	EJ18 SPI	1.8	1989.01 - 1994.07		410230.78D ▲
LEGACY I (BC)					
2.0	EJ20E	2.0	1991.08 - 1993.12		410230.78D ▲
LEGACY I (BC, BJF)					
2000	EJ20 EMPI	2.0	1991.09 - 1993.12		410230.78D ▲
2000 4WD	EJ20 EMPI	2.0	1991.09 - 1994.07		410230.78D ▲



SUBARU

	Motor Engine Moteur	Ltr. Ltr. Ltr.	Jahr Year Année	Einschränkung Restriction* Restriction*	Thermostat Thermostat Thermostat
LEGACY I (BC)					
2000 Turbo	EJ20-GN	2.0	1992.05 - 1994.07		410230.78D ▲
LEGACY I (BC, BJF)					
2000 Turbo Super	EJ20-GN	2.0	1992.05 - 1994.07		410230.78D ▲
LEGACY I (BC)					
2200	EJ22 EMPI	2.2	1989.01 - 1994.07		410230.78D ▲
LEGACY II (BD, BG)					
1.8	EJ18E	1.8	1996.05 - 1998.09		410230.78D ▲
2.0 i	EJ20, EJ20 EMPI, EJ20E	2.0	1994.09 - 1999.03		410230.78D ▲
2.2 i	EJ22 EMPI	2.2	1994.09 - 1999.03		410230.78D ▲
2.5 i	EJ25D	2.5	1996.06 - 1999.03		410230.78D ▲
LEGACY III (BE, BH)					
2.0	EJ20, EJ205P	2.0	1998.12 - 2003.08		410230.78D ▲
2.5	EJ25	2.5	1998.10 - 2003.08		410230.78D ▲
3.0 H6		3.0	2000.08 - 2003.08		410230.78D ▲
LEGACY IV					
2.0	EJ20	2.0	2003.09 -		410230.78D ▲
2.5	EJ25	2.5	2003.09 -		410230.78D ▲
3.0 R	EZ30	3.0	2003.09 -		410230.78D ▲
OUTBACK (BE, BH)					
2.5	EJ25	2.5	2000.10 - 2003.08		410230.78D ▲
3.0 H6		3.0	2000.10 - 2003.08		410230.78D ▲
OUTBACK (BL, BP)					
2.5	EJ25D	2.5	2003.11 -		410230.78D ▲
3.0	EZ30	3.0	2003.11 -		410230.78D ▲
OUTBACK (BM, BR)					
3.6 R		3.6	2009.09 -		410230.78D ▲
SVX (CX)					
3.3 i 24V	EG33 DOHC	3.3	1992.09 - 1997.12		3000.83
TRIBECA (B9)					
3.0	EZ30	3.0	2005.01 -		410230.78D ▲
3.6		3.6	2007.09 -		410230.78D ▲

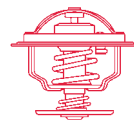


Thermostate
Thermostats
Thermostats

SUZUKI

	Motor Engine Moteur	Ltr. Ltr. Ltr.	Jahr Year Année	Einschränkung Restriction* Restriction*	Thermostat Thermostat Thermostat
ALTO I (SS80)					
0.8	F8B	0.8	1982.06 - 1985.12		410183.82D ▲
ALTO II (EC)					
0.8	F8B	0.8	1986.01 - 1993.11		410183.82D ▲
ALTO III (EF)					
1.0	G10B, G10BB	1.0	1994.09 - 2002.06		410183.82D ▲
ALTO IV (FF)					
1.1	F10D, F10DN	1.1	2002.06 -		410183.88D ▲
BALENO (EG)					
1.3	G13BA	1.3	1996.09 - 2002.05		410183.88D ▲
1.3 16V	G13BB	1.3	1997.03 - 2002.05		410183.88D ▲
1.3 i 16V	G13B	1.3	1995.07 - 2002.05		410183.88D ▲
1.6 i 16V	G16B	1.6	1995.07 - 2002.05		410183.88D ▲
1.8 GTX	J18A	1.8	1996.03 - 2002.05		410229.82D ▲
1.8 i 16V	J18A	1.8	1996.08 - 2002.05		410229.82D ▲
1.9 TD		1.9	1998.04 - 2002.05		4446.83D
CARRY Kasten (FD)					
1.3	G13B	1.3	1999.03 -		410183.82D ▲
1.3 16 V	G13BB	1.3	2000.03 -		410183.88D ▲
CARRY Kasten (ST90V)					
0.8	F8A	0.8	1980.11 - 1985.10		3119.82
CAPPUCINO (EA)					
0.7	F6A	0.7	1992.02 - 1995.08		410183.82D ▲
GRAND VITARA (FT, GT)					
1.6	G16B	1.6	1998.03 -		410183.88D ▲
2.0	J20A	2.0	1998.03 -		410229.82D ▲
2.0 HDI 110 16V	RHW	2.0	2001.07 -		4446.83D
2.0 TD Intercooler	RF	2.0	1998.03 -		3468.88D
2.5 V6 24V	H 25 A	2.5	1998.04 -		4639.82D
2.7 XL-7	H 27 A	2.7	2001.09 -		4639.82D
GRAND VITARA (JT)					
1.6	M16A	1.6	2005.04 -		410229.82D ▲
2.0	J20A	2.0	2005.10 -		410229.82D ▲
IGNIS (FH)					
1.3	M13A	1.3	2000.10 - 2003.09		410229.82D ▲
1.3 DDiS	Z13DT	1.3	2003.09 -		410588.88D ▲
1.5	M15A	1.5	2003.09 -		410229.82D ▲
1.5 Sport	M15A	1.5	2003.12 -		410229.82D ▲
1.3 16V	G13BB, M13A	1.3	1998.09 -		410183.88D ▲
LIANA (ER)					
1.3	M13A	1.3	2001.07 -		410229.82D ▲
1.6	M16A	1.6	2001.07 -		410229.82D ▲
1.6 i	M16A	1.6	2002.04 -		410229.82D ▲
LJ 80					
0.8	F8A	0.8	1980.01 - 1984.01		410228.82D ▲

Thermostate
Thermostats
Thermostats



SUZUKI

	Motor Engine Moteur	Ltr. Ltr. Ltr.	Jahr Year Année	Einschränkung Restriction* Restriction*	Thermostat Thermostat Thermostat
SAMURAI (SJ)					
1.0 (SJ 410)	F10A	1.0	1988.11 -		410228.82D ▲
1.3		1.3	2000.01 -		410183.88D ▲
1.3 (SJ 413)	G13A, G13BA	1.3	1988.11 -		3119.82
1.9 TD	XUD9	1.9	1998.11 -		4446.83D
SJ 410					
1.0	F10A	1.0	1981.09 - 1988.12		3119.82
SJ 413					
1.3	G13A	1.3	1984.09 - 1990.08		3119.82
SUPER CARRY Bus (ED)					
1.0	F10A	1.0	1985.10 - 1999.03		3119.82
SWIFT I					
1.0	G10, G10A	1.0	1983.10 - 1989.03		410183.82D ▲
1.0 Turbo		1.0	1985.02 - 1989.12		410183.82D ▲
1.3	G13A	1.3	1984.10 - 1989.03		410183.82D ▲
1.3 GTi/GXi	G13B	1.3	1986.08 - 1989.03		410183.82D ▲
SWIFT II					
1.0	G10A	1.0	1989.03 - 2001.05		410183.82D ▲
1.0 i	G10A	1.0	1989.03 - 2001.05		410183.82D ▲
1.3	G13A, G13BA, G13BB	1.3	1989.03 - 2003.12		410183.88D ▲
1.3 GTi	G13B	1.3	1989.03 - 2001.05		3044.80
1.6	G16B	1.6	1989.11 - 1991.12		3044.80
1.6 i	G16B	1.6	1990.01 - 2001.05		3044.80
SWIFT III					
1.3	M13A	1.3	2005.02 -		410229.82D ▲
1.3 DDiS	Z13DT	1.3	2005.08 -		410588.88D ▲
1.5	M15A	1.5	2005.02 -		410229.82D ▲
1.6	M16A	1.6	2006.05 -		410229.82D ▲
SWIFT Cabriolet (SF413)					
1.3 i	G13BA	1.3	1991.09 - 1996.10		410183.82D ▲
SX4 (GY)					
1.5	M15A	1.5	2006.06 -		410229.82D ▲
1.6 VVT	M16A	1.6	2006.06 -		410229.82D ▲
VITARA					
1.6	G16A	1.6	1988.07 - 1998.03		410228.82D ▲
1.6 i 16V	G16B	1.6	1990.07 - 1999.03		410183.88D ▲
1.9 D	XUD9A, XUD9SD	1.9	1995.01 - 1999.03		4446.83D
2.0 16V	J20A	2.0	1996.12 - 1999.03		410229.82D ▲
2.0 TD	RF	2.0	1994.12 - 1998.03		3468.88D
2.0 TD Intercooler	RF	2.0	1995.12 - 1998.03		3468.88D
2.0 V6 24V	H 20 A	2.0	1994.12 - 1998.03		4639.82D
2.5 V6 24V		2.5	1995.12 - 1998.03		4639.82D
WAGON R+ (EM, MM)					
1.0		1.0	1998.02 - 2000.05		410183.82D ▲
1.2		1.2	1998.02 - 2000.05		410183.82D ▲
1.3	G13BB, M13A	1.3	2000.05 -		410183.88D ▲
1.3 DDiS	Z13DT	1.3	2003.09 -		410588.88D ▲



Thermostate
Thermostats
Thermostats

SUZUKI

Motor
Engine
Moteur

Ltr.
Ltr.
Ltr.

Jahr
Year
Année

Einschränkung
Restriction*
Restriction*

Thermostat
Thermostat
Thermostat

WAGON R

1.0

1.0

2003.07 - 2005.08

Chassis No
→685G062128

410183.88D ▲

X-90 (EL)

1.6 i 16V

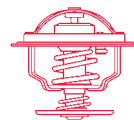
G16B

1.6

1995.09 -

410228.82D ▲

Thermostate
Thermostats
Thermostats



TALBOT

	Motor Engine Moteur	Ltr. Ltr. Ltr.	Jahr Year Année	Einschränkung Restriction* Restriction*	Thermostat Thermostat Thermostat
EXPRESS					
1.8	XM7T	1.8	1983.07 - 1990.10 1983.07 - 1990.10		3061.82 3061.88
1.9 D	XUD9A	1.9	1987.07 - 1990.10		4147.80D
2.0	XN1TA	2.0	1982.07 - 1990.10 1982.07 - 1990.10		3061.82 3061.88
2.5 D	CRD93	2.5	1982.07 - 1994.10		3033.84
2.5 TD	CRD93LS	2.5	1987.06 - 1994.10		3033.84
HORIZON					
1.1	E1B	1.1	1979.01 - 1984.09		4026.89 •
1.3	2G1, 2G1-BTC	1.3	1978.02 - 1986.06		4026.89 •
1.4	2Y1, 2Y1B, 2Y2, Y2	1.4	1979.07 - 1986.06		4026.89 •
1.6	6J2A, J2A	1.6	1982.07 - 1986.06		4026.89 •
1.9 Diesel	XUD9	1.9	1982.07 - 1986.06		4147.80D
MURENA					
2.1 S	X5N2	2.1	1983.04 - 1985.01		4026.89 •
SAMBA (51A)					
0.9	5C1(XV5), 5C1(XV8)	0.9	1981.01 - 1985.12		3136.82D50
1.1	XW7	1.1	1981.01 - 1986.06		3136.82D50
1.2 Rallye	129 D	1.2	1983.01 - 1986.10		3136.82D50
1.4	150 D, XY7, XY8	1.4	1981.01 - 1986.10		3136.82D50
1.4 Rallye	XY8	1.4	1983.01 - 1986.10		3136.82D50
SAMBA Cabriolet (51E)					
1.4	XY8	1.4	1981.01 - 1986.06		3136.82D50
TAGORA					
2.1	5N2	2.1	1980.06 - 1983.12		4026.89 •
2.3 Turbo Diesel	XD2S	2.3	1981.08 - 1987.12		3053.75
2.6	9L6	2.6	1981.08 - 1983.10		4122.87D

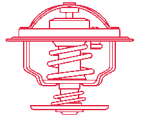


Thermostate
Thermostats
Thermostats

TOYOTA

	Motor Engine Moteur	Ltr. Ltr. Ltr.	Jahr Year Année	Einschränkung Restriction* Restriction*	Thermostat Thermostat Thermostat
4 RUNNER					
2.4 TD	2L-T	2.4	1989.08 - 1995.11		3477.88D
2.7 i	3RZ-FE	2.7	1995.11 - 1996.03		410178.82D ▲
3.0 Turbo-D	1KZ-T	3.0	1993.10 - 1996.03		410181.82D ▲
3.4 i	5VZ-FE	3.4	1995.11 - 1996.03		4480.82D
AURIS					
1.4 D-4D	1ND-TV	1.4	2007.03 -		410231.82D ▲
1.4 VVTi	4ZZ-FE	1.4	2007.03 -		4480.82D
1.6 VVTi	1ZR-FE	1.6	2007.03 -		4480.82D
2.0 D-4D	1AD-FTV	2.0	2007.03 -		4480.82D
2.2 D	2AD-FHV	2.2	2007.03 -		4480.82D
AVENSIS (T22)					
1.6	4A-FE	1.6	1997.09 - 2000.10		3478.82D
1.6 VVT-i	3ZZ-FE	1.6	2000.10 - 2003.02		4480.82D
1.8	7A-FE	1.8	1997.09 - 2000.10		3478.82D
1.8 VVT-i	1ZZ-FE	1.8	2000.10 - 2003.02		4480.82D
1.9 D	1CD-FTV, 2C-T	1.9	1997.10 - 1998.05 2002.09 - 2003.02	2C-T 1CD-FTV	3478.82D 410231.82D ▲
2.0	3S-FE	2.0	1997.09 - 2000.10		3478.82D
2.0 D	1CD-FTV, 2C-T	2.0	1997.10 - 1998.05 2002.09 - 2003.02	2C-T 1CD-FTV	3478.82D 410231.82D ▲
2.0 D-4D	1CD-FTV	2.0	1999.10 - 2003.02		410231.82D ▲
2.0 TD	2C-TE	2.0	1997.09 - 2003.02		3478.82D
2.0 VVT-i	1AZ-FSE	2.0	2000.10 - 2003.02		4480.82D
AVENSIS (T25)					
1.6 VVT-i	3ZZ-FE	1.6	2003.04 -		4480.82D
1.8	1ZZ-FE	1.8	2003.04 -		4480.82D
2.0 D-4D	1AD-FTV, 1CD-FTV	2.0	2003.04 -		410231.82D ▲
2.2 D-4D	2AD-FTV	2.2	2005.10 -		4480.82D
2.2 D-CAT	2AD-FHV	2.2	2005.07 -		4480.82D
2.4	2AZ-FSE	2.4	2003.09 -		4480.82D
AVENSIS (T27)					
2.0 D-4D	1AD-FTV	2.0	2009.02 -		4480.82D
2.2 D-4D	2AD-FHV, 2AD-FTV	2.2	2009.02 -		4480.82D
AVENSIS VERSO (AC)					
2.0 D-4D	1CD-FTV	2.0	2001.08 -		410231.82D ▲
2.0 VVT-i	1AZ-FE	2.0	2001.08 -		4480.82D
CAMRY (V1) 1983-->1988					
1.8	1S-L	1.8	1983.02 - 1986.10		4103.82D ▲
1.8 Turbo-D	1C-TL	1.8	1983.11 - 1988.01		4103.82D ▲
2.0	2S-E, 2S-ELC	2.0	1986.04 - 1988.01		4103.82D ▲
2.0 GLI	2S-EL, 3S-FE	2.0	1983.03 - 1988.07		4103.82D ▲
CAMRY (_V2_) 1986-->1991					
1.8 i	1S-L	1.8	1986.10 - 1988.08		4103.82D ▲
2.0	3S-FE	2.0	1986.11 - 1991.05		4103.82D ▲
2.0 Gli	3S-FE	2.0	1987.10 - 1988.07		4103.82D ▲
2.0 Gli 16V	3S-FE	2.0	1986.11 - 1991.05		4103.82D ▲
2.0 Turbo-D	2C-T	2.0	1986.11 - 1991.05		4103.82D ▲
2.5	2VZ-FE	2.5	1990.01 - 1991.05		4480.82D
2.5 V6 GXI	2VZ-FE	2.5	1988.02 - 1991.05		4480.82D

Thermostate
Thermostats
Thermostats



TOYOTA

	Motor Engine Moteur	Ltr. Ltr. Ltr.	Jahr Year Année	Einschränkung Restriction* Restriction*	Thermostat Thermostat Thermostat
CAMRY (_V1_) 1991-->1996					
2.2	5S-FE	2.2	1991.06 - 1996.08		3478.82D
2.2 (SXV10)	5S-FE	2.2	1992.03 - 1996.07		3478.82D
3.0	3VZ-FE	3.0	1991.06 - 1996.08		4480.82D
3.0 (VCV10)	3VZ-FE	3.0	1992.03 - 1996.07		4480.82D
CAMRY (_V20) 1996-->2001					
2.2	5S-FE	2.2	1996.08 - 2001.11		3478.82D
3.0 24V	1MZ-FE	3.0	1996.08 - 2001.11		4480.82D
3.0 V6	1MZ-FE	3.0	1996.08 - 2001.11		4480.82D
CAMRY (_V30) 2001-->					
2.4 VVT-i	2AZ-FE	2.4	2001.11 -		4480.82D
3.0 V6	1MZ-FE	3.0	2001.11 -		4480.82D
CARINA (TA4, TA6) 1978-->1983					
1.6	2T	1.6	1978.01 - 1983.09		3119.82D5
1.8	3T, 3T-C	1.8	1978.01 - 1987.02		3119.82D5
1.8 D	1C	1.8	1982.04 - 1983.09		4103.82D ▲
1.8 XE	3T	1.8	1981.08 - 1983.09		3119.82D5
CARINA II (_T15_) 1983-->1988					
1.6	4A-L, 4A-LC	1.6	1983.10 - 1987.11		4103.82D ▲
1.8 GLI	1S-EL, 1S-L	1.8	1983.10 - 1987.11		4103.82D ▲
2.0 D	2C-L	2.0	1984.02 - 1988.05		4103.82D ▲
CARINA II (_T17_) 1988-->1993					
1.6	4A-F, 4A-FE	1.6	1987.12 - 1992.03		4103.82D ▲
1.6 GX		1.6	1987.12 - 1992.03		4103.82D ▲
1.8		1.8	1987.12 - 1992.03		4103.82D ▲
1.8 G		1.8	1987.12 - 1992.03		4103.82D ▲
2.0	3S-FE	2.0	1987.12 - 1992.04		4103.82D ▲
2.0 D	2C, 2C-L	2.0	1987.12 - 1993.06		4103.82D ▲
2.0 Gli	3S-FE	2.0	1987.12 - 1992.03		4103.82D ▲
CARINA E (_T19_) 1992-->1997					
1.6	4A-FE	1.6	1992.04 - 1997.09		3478.82D
1.6 16V	4A-FE	1.6	1994.12 - 1997.09		3478.82D
1.6 GLI	4A-FE	1.6	1992.04 - 1997.09		3478.82D
1.6 i	4A-FE	1.6	1995.02 - 1997.09		3478.82D
1.8	7A-FE	1.8	1992.04 - 1996.01		3478.82D
1.8 GL	7A-FE	1.8	1994.10 - 1997.09		3478.82D
1.8 i	7A-FE	1.8	1995.02 - 1996.01		3478.82D
1.8 i 16V	7A-FE	1.8	1995.01 - 1996.01		3478.82D
2.0	3S-FE	2.0	1993.01 - 1997.09		3478.82D
2.0 D	2C	2.0	1992.04 - 1996.01		3478.82D
2.0 GLI	3S-FE	2.0	1992.04 - 1997.09		3478.82D
2.0 Gti	3S-GE	2.0	1992.04 - 1994.02		4480.82D
2.0 GTi 16V	3S-GE	2.0	1994.03 - 1997.09		4480.82D
2.0 i	3S-FE	2.0	1992.12 - 1997.09		3478.82D
2.0 TD	2C-T	2.0	1996.01 - 1997.09		3478.82D
CELICA (TA4C, TA60, RA40, RA6_) 1977-1985					
1.6 GT	2T-G	1.6	1978.04 - 1982.02		3119.82D5
1.6 LT	2TB	1.6	1979.02 - 1983.07		3119.82D5
1.6 ST	2T, 2TB, 4A-L	1.6	1977.08 - 1985.08 1977.08 - 1985.08		3119.82D5 3119.88D5
2.0 GT	18R-G	2.0	1981.08 - 1983.08		3119.82D5

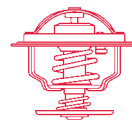


Thermostate
Thermostats
Thermostat

TOYOTA

	Motor Engine Moteur	Ltr. Ltr. Ltr.	Jahr Year Année	Einschränkung Restriction* Restriction*	Thermostat Thermostat Thermostat
2.0 XT	18R, 21R-C	2.0	1979.02 - 1985.08		3119.82D5
CELICA Coupe (RA6) 1981-->1986					
1.6	4A-GE	1.6	1983.12 - 1986.10		4103.82D ▲
2.0	18R-G, 21R-U	2.0	1982.01 - 1986.10 1982.01 - 1986.10		3119.82D5 3119.88D5
CELICA (T16) 1985-->1990					
1.6	4A-L	1.6	1986.04 - 1990.02		4103.82D ▲
1.6 GT	4A-GELC	1.6	1987.08 - 1989.08		4103.82D ▲
1.6 GT 16V	4A-GEL	1.6	1985.09 - 1989.08		4103.82D ▲
2.0	3S-GEL, 3S-GELC	2.0	1987.01 - 1990.08		4103.82D ▲
2.0 GT	3S-GEL, 3S-GELC	2.0	1985.08 - 1990.08		4103.82D ▲
2.0 Turbo	3S-GTE	2.0	1988.03 - 1990.08		4480.82D
CELICA (T18) 1989-->1994					
1.6 STi	4A-FE	1.6	1989.10 - 1994.01		4103.82D ▲
2.0 Gti	3S-GE	2.0	1989.10 - 1994.01		4480.82D
2.0 Turbo	3S-GTE	2.0	1989.10 - 1994.01		4480.82D
CELICA (T20) 1993-->1999					
1.8 i 16V	7A-FE	1.8	1993.11 - 1996.08		3478.82D
2.2 GT	5S-FE	2.2	1993.11 - 1999.08		3478.82D
CELICA (ZZT23) 1999-->					
1.8 16V TS	2ZZ-GE	1.8	1999.11 -		4480.82D
1.8 16V VT-i	1ZZ-FE	1.8	1999.11 -		4480.82D
COROLLA (E7) 1979-->1985					
1.3	4K, 4K-C	1.3	1979.09 - 1987.08		3119.82D5
1.6	2T, 2TB	1.6	1979.09 - 1983.09		3119.82D5
1.6 GT	2T-G	1.6	1980.05 - 1983.09		3119.82D5
1.8	3T-C	1.8	1979.09 - 1982.05		3119.82D5
1.8 D	1C	1.8	1983.01 - 1987.08		4103.82D ▲
COROLLA (E8) 1983-->1989					
1.3	2A-L, 2E, 2E-L, 2E-LC	1.3	1983.06 - 1987.08		4103.82D ▲
1.5 L		1.5	1983.06 - 1987.07		4103.82D ▲
1.6	4A-C, 4A-L, 4A-LC	1.6	1983.06 - 1988.05		4103.82D ▲
1.6 16V	4A-GEC	1.6	1985.12 - 1987.04		4103.82D ▲
1.6 GT 16V	4A-GE, 4A-GEL	1.6	1983.08 - 1987.08		4103.82D ▲
1.6 SR	4A-C	1.6	1983.08 - 1985.04		3478.82D
1.6 SR 16V	4A-C	1.6	1983.05 - 1987.04		4103.82D ▲
1.8 D	1C, 1C-L	1.8	1983.06 - 1988.05		4103.82D ▲
COROLLA (E9) 1987-->1994					
1.3	2E	1.3	1987.08 - 1989.12		4103.82D ▲
1.3 i	2E, 2E-E	1.3	1987.08 - 1992.12		4103.82D ▲
1.5		1.5	1987.11 - 1992.04		4103.82D ▲
1.6	4A-F, 4A-FE	1.6	1987.08 - 1992.05		4103.82D ▲
1.6 GL	4A-F	1.6	1987.10 - 1990.08		4103.82D ▲
1.6 GTi	4A-GE	1.6	1987.07 - 1993.06		4103.82D ▲
1.6 i	4A-FE	1.6	1987.10 - 1993.06		4103.82D ▲
1.6 XL	4A-F	1.6	1989.09 - 1992.04		4103.82D ▲
1.6 XLI	4A-FE	1.6	1988.08 - 1992.06		4103.82D ▲
1.8 D	1C	1.8	1987.07 - 1993.06		4103.82D ▲
COROLLA LEVIN Coupe 1991-->1997					
1.5 S		1.5	1991.06 - 1997.08		3478.82D

Thermostate
Thermostats
Thermostats



TOYOTA

	Motor Engine Moteur	Ltr. Ltr. Ltr.	Jahr Year Année	Einschränkung Restriction* Restriction*	Thermostat Thermostat Thermostat
1.6 GT		1.6	1991.06 - 1997.08		3478.82D
1.6 GT-Z		1.6	1991.06 - 1997.08		3478.82D
COROLLA (E10_) 1992-->1999					
1.3 12V	2E	1.3	1992.07 - 1997.04		3478.82D
1.3 XLI	4E-FE	1.3	1992.07 - 1997.04		4103.82D ▲
1.3 XLI 16V	4E-FE	1.3	1992.07 - 1995.09		4103.82D ▲
1.6 GLI	4A-FE	1.6	1992.07 - 1997.04		4103.82D ▲
1.6 Si	4A-FE	1.6	1992.07 - 1997.04		4103.82D ▲
1.8	7A-FE	1.8	1992.05 - 1997.04		3478.82D
1.8 16V	7A-FE	1.8	1995.09 - 1997.04		3478.82D
1.8 GT	7A-FE	1.8	1992.11 - 1995.05		3478.82D
1.8 Gti		1.8	1992.05 - 1995.07		3478.82D
1.8 XL	7A-FE	1.8	1992.09 - 1993.11		3478.82D
2.0 D	2C	2.0	1992.07 - 1997.04		4103.82D ▲
COROLLA (E11_) 1997-->2002					
1.3		1.3	1997.05 - 2001.10		3478.82D
1.4	4E-FE, 4ZZ-FE	1.4	1997.04 - 2000.02 2000.02 - 2002.01	4E-FE 4ZZ-FE	4103.82D ▲ 4480.82D
1.4 16V	4ZZ-FE	1.4	2000.02 - 2002.01		4480.82D
1.5	1NZ-FE	1.5	1999.09 - 2001.10		410231.82D ▲
1.6	3ZZ-FE, 4A-FE	1.6	1997.04 - 2000.02 2000.02 - 2002.01	4A-FE 3ZZ-FE	4103.82D ▲ 4480.82D
1.6 16V	3ZZ-FE	1.6	2000.02 - 2002.01		4480.82D
1.8	7A-FE	1.8	1997.04 - 2002.01		3478.82D
1.9 D	1WZ	1.9	2000.02 - 2002.01		4446.83D
2.0 D	2C-E	2.0	1997.04 - 2000.02		4103.82D ▲
2.0 D-4D	1CD-FTV	2.0	2000.08 - 2002.01		410231.82D ▲
2.2 TD	3C-TE	2.2	1998.04 - 2001.10		3478.82D
COROLLA (E12_) 2001-->					
1.4 D	1ND-TV	1.4	2004.07 -		410231.82D ▲
1.4 VVT-i	4ZZ-FE	1.4	2002.01 - 2004.05		4480.82D
1.5	1NZ-FE	1.5	2004.06 -		410231.82D ▲
1.6	1ZR-FE	1.6	2006.11 -		4480.82D
1.6 VVT-i	3ZZ-FE	1.6	2002.01 - 2004.05		4480.82D
1.8 VVT-i	1ZZ-FE	1.8	2002.01 - 2004.05		4480.82D
1.8 VTL-i TS	2ZZ-GE	1.8	2002.01 -		4480.82D
2.0 D-4D	1CD-FTV	2.0	2002.01 - 2004.05		410231.82D ▲
2.0 D4d	1CD-FTV	2.0	2004.06 -		410231.82D ▲
COROLLA (E15)					
1.4 D-4D	1ND-TV	1.4	2009.01 -		410231.82D ▲
2.0 D-4D	1AD-FTV	2.0	2007.01 -		4480.82D
COROLLA (ZER_, ZZE_) 2004-->					
1.5	1NZ-FE	1.5	2004.03 -		410231.82D ▲
1.6	3ZZ-FE	1.6	2004.04 -		4480.82D
1.8	1ZZ-FE	1.8	2004.04 -		4480.82D
2.0 D-4D	1CD-FTV	2.0	2004.04 -		410231.82D ▲
CORONA 1987-->1993					
1.6	4A-F	1.6	1987.12 - 1989.10		3478.82D
CORONA 1992-->1997					
1.6	4A-FE	1.6	1992.02 - 1997.09		3478.82D
1.8	7A-FE	1.8	1992.02 - 1997.09		3478.82D



Thermostate
Thermostats
Thermostats

TOYOTA

Motor
Engine
Moteur

Ltr.
Ltr.
Ltr.

Jahr
Year
Année

Einschränkung
Restriction*
Restriction*

Thermostat
Thermostat
Thermostat

CRESSIDA (_X6_) 1980-->1992

2.0	21R, 21R-C	2.0	1981.05 - 1985.03		3119.82
2.0 GLi	1G-E	2.0	1982.08 - 1992.09		3478.82D
2.2 D	L	2.2	1981.10 - 1984.07		4126.88

CROWN (_S1_)

2.2 D	L	2.2	1980.04 - 1983.07		4126.88
2.8 SI	5M, 5M-E	2.8	1980.04 - 1983.07		3119.88

DYNA

2.0	3Y	2.0	1984.09 - 1987.08		4103.82D ▲
2.4 D	2J	2.4	1984.09 - 1987.08		3477.88D
2.5 D4d	2KD-FTV	2.5	2001.08 -		410181.82D ▲
3.0 D4d	1KD-FTV	3.0	2006.09 -		410181.82D ▲

HIACE II (H20)

1.8	2Y	1.8	1983.03 - 1989.11		4103.82D ▲
2.0	3Y	2.0	1984.01 - 1989.11		4103.82D ▲
2.2	4Y	2.2	1987.09 - 1989.08		4103.82D ▲
2.2 D	L	2.2	1983.03 - 1989.11		4126.88
2.4 D	2L	2.4	1984.05 - 1989.11		3477.88D

HIACE III (H50)

2.0	1RZ	2.0	1989.08 - 1995.08		410178.82D ▲
2.4	2RZ-E	2.4	1989.08 - 1995.08		410178.82D ▲
2.4 D	2L	2.4	1989.08 - 1995.08		3477.88D

HIACE IV

2.4	2RZ-E	2.4	1995.08 - 1998.04		410178.82D ▲
2.4 D	2L	2.4	1995.08 -		3477.88D
2.4 TD	2L-T	2.4	1995.08 -		3477.88D
2.5 D-4D	2KD-FTV	2.5	2001.08 - 2006.08		410181.82D ▲
2.7	3RZ-FE	2.7	1998.04 - 2001.11		410178.82D ▲
3.0 D	5L	3.0	1998.08 - 2004.12		3477.88D

HIACE V

2.5 D-4D	2KD-FTV	2.5	2006.08 -		410181.82D ▲
----------	---------	-----	-----------	--	--------------

HILUX II Pick-up (_N_)

1.8	2Y	1.8	1988.08 - 1994.07		4103.82D ▲
2.0	3Y	2.0	1984.01 - 1986.12		4103.82D ▲
2.2	4Y	2.2	1987.01 - 1989.12		4103.82D ▲
2.4 D	2L	2.4	1984.01 - 1995.05		3477.88D
2.4 i	2RZ-FE	2.4	1997.08 -		410178.82D ▲
2.4 TD	2L-T	2.4	1998.08 - 2002.01		3477.88D
2.5 D-4D	2KD-FTV	2.5	2001.11 -		410181.82D ▲
2.7	3RZ-FE	2.7	2001.08 - 2004.07		410178.82D ▲

HILUX III Pick-up

2.5 D	2KD-FTV	2.5	2005.08 -		410181.82D ▲
-------	---------	-----	-----------	--	--------------

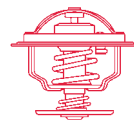
LAND CRUISER (_J7_) 1984-->1996

2.4 D	2L	2.4	1984.11 - 1985.10		3477.88D
2.4 TD	2L-T	2.4	1985.10 - 1996.05		3477.88D
3.0 TD	1KZ-T	3.0	1993.05 - 1996.05		410181.82D ▲

LAND CRUISER 80 (_J8_) 1990-->1998

3.0 TD	1KZ-T	3.0	1990.01 - 1991.09		410181.82D ▲
--------	-------	-----	-------------------	--	--------------

Thermostate
Thermostats
Thermostats



TOYOTA

	Motor Engine Moteur	Ltr. Ltr. Ltr.	Jahr Year Année	Einschränkung Restriction* Restriction*	Thermostat Thermostat Thermostat
LAND CRUISER 90 (J9_) 1995-->					
3.0 D-4D	1KD-FTV	3.0	2000.10 -		410181.82D ▲
3.0 TD (KZJ90_, KZJ95_)	1KZ-TE	3.0	1996.04 -		410181.82D ▲
3.4 i 24V (VZJ90_, VZJ95_)	5VZ-FE	3.4	1996.04 -		4480.82D
LITEACE (M2_) 1979-->1986					
1.3	4K, 4K-C	1.3	1979.10 - 1985.09 1979.10 - 1986.10		3119.82D5 3119.88D5
1.8 D	1C	1.8	1982.10 - 1985.09		3478.82D
LITEACE (CM3_, KM3_) 1984-->1992					
1.5	5K	1.5	1985.10 - 1992.01		3119.88
2.0 D	2C	2.0	1988.08 - 1992.01		3478.82D
LAND CRUISER (J12) 2002-->					
3.0 D-4D (KDJ120)	1KD-FTV	3.0	2003.01 -		410181.82D ▲
LITEACE (R2_LG) 1992-->1998					
2.0 D	2C	2.0	1992.01 - 1994.05		3478.82D
2.2	4Y-EC	2.2	1992.01 - 1995.01		3478.82D
MODELL F (R2_,31)					
1.8	2Y, 2Y-C	1.8	1982.11 - 1984.08		4103.82D ▲
2.0	3Y	2.0	1988.08 - 1990.01		4103.82D ▲
2.0 Super	3Y, 3Y-C	2.0	1984.08 - 1988.08		4103.82D ▲
2.2	4Y-EC	2.2	1987.08 - 1990.01		4103.82D ▲
MR 2 I (W1_)					
1.6 16V	4A-GEL, 4A-GELC	1.6	1984.11 - 1990.06		4103.82D ▲
MR 2 II (W2_)					
2.0 16V	3S-GE	2.0	1989.12 - 1993.11		4480.82D
MR 2 III (W3_)					
1.8 16V VT-i	1ZZ-FE	1.8	2000.04 -		4480.82D
PASEO (EL54)					
1.5 16V	5E-FE	1.5	1995.08 - 1999.07		3478.82D
PICNIC (XM10)					
2.0	3S-FE	2.0	2001.01 - 2001.12		3478.82D
2.0 16V	3S-FE	2.0	1996.05 - 2001.12		3478.82D
2.2 D	3C-TE	2.2	1997.08 - 2001.12		3478.82D
PREVIA (TCR1_,2_) 1990-->2000					
2.4	2TZ-FE, 2TZ-FZE	2.4	1990.05 - 2000.08		410178.82D ▲
PREVIA (ACR3) 2000-->					
2.0 D-4D	1CD-FTV	2.0	2001.03 -		410231.82D ▲
2.4 16V	2AZ-FE	2.4	2000.08 -		4480.82D
PRIUS					
1.5	1NZ-FXE	1.5	2000.05 - 2004.01		410231.82D ▲
RAV 4 I (SXA1_)					
2.0 16V	3S-FE	2.0	1994.06 - 2000.06		3478.82D

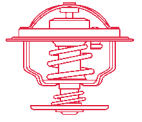


Thermostate
Thermostats
Thermostats

TOYOTA

	Motor Engine Moteur	Ltr. Ltr. Ltr.	Jahr Year Année	Einschränkung Restriction* Restriction*	Thermostat Thermostat Thermostat
RAV 4 II (XA2)					
1.8 VVTi	1AZ-FE, 1ZZ-FE	1.8	2000.06 -		4480.82D
2.0 D-4D	1CD-FTV	2.0	2001.09 -		410231.82D ▲
STARLET (KP6) 1978-->1984					
1.0	2K	1.0	1978.02 - 1984.09		3119.82D5
1.2	3K-H	1.2	1978.02 - 1982.09		3119.82D5
1.2 S	3K-H	1.2	1978.10 - 1982.08		3119.82D5
1.3 S	4K	1.3	1982.08 - 1984.09		3119.82D5
STARLET (_P7_) 1984-->1989					
1.0	1E-L	1.0	1984.10 - 1989.12		4103.82D ▲
1.3	2E-LC	1.3	1984.10 - 1989.12		4103.82D ▲
1.5 D	1N	1.5	1986.12 - 1989.12		4103.82D ▲
STARLET (_P8_) 1989-->1996					
1.3 12V	2E, 2E-E	1.3	1989.12 - 1996.03		4103.82D ▲
1.3 XL	2E	1.3	1989.12 - 1991.12		4103.82D ▲
1.5 D	1N	1.5	1989.12 - 1996.03		4103.82D ▲
STARLET (EP91) 1996-->1999					
1.3	4E-FE	1.3	1996.04 - 1999.03		4103.82D ▲
SUPRA (JZA70, JZA80)					
3.0 i Bi-Turbo	2JZ-GTE	3.0	1993.05 - 1998.08		410231.82D ▲
TERCEL (_L1_, _L2_) 1979-->1988					
1.3	2A	1.3	1979.03 - 1988.01		4103.82D ▲
1.45	3A-C	1.4	1983.08 - 1985.05		4103.82D ▲
1.5	3A, 3A-C	1.5	1982.10 - 1988.01		4103.82D ▲
YARIS (_P1, P2, P9)					
1.0 16V	1SZ-FE	1.0	1999.04 -		410201.80D ▲
1.0 VVT-i	1KR-FE	1.0	2006.01 -		410201.80D ▲
1.3	2NZ-FE, 2SZ-FE	1.3	1999.11 -		410231.82D ▲
1.3 16V	2NZ-FE	1.3	1999.11 -		410231.82D ▲
1.3 VVT-i	2SZ-FE	1.3	2006.01 -		410201.80D ▲
1.33 VVT-i	1NR-FE	1.3	2009.03 -		410201.80D ▲
1.4 D-4D	1ND-TV	1.4	2001.12 -		410231.82D ▲
1.5	1NZ-FE	1.5	2000.03 -		410231.82D ▲
1.5 TS	1NZ-FE	1.5	2003.01 -		410231.82D ▲
1.5 VVT-i TS	1NZ-FE	1.5	2001.04 - 2005.07		410231.82D ▲
1.8 VVTi	2ZR-FE	1.8	2007.01 - 2008.08		4480.82D

Thermostate
Thermostats
Thermostats



VAUXHALL

	Motor Engine Moteur	Ltr. Ltr. Ltr.	Jahr Year Année	Einschränkung Restriction* Restriction*	Thermostat Thermostat Thermostat
ANTARA					
2.4	Z 24 XED	2.4	2006.08 -		4189.87D
ARENA					
1.9 D	F8Q 600, F8Q 606	1.9	1998.03 - 2001.08	Chassis No C 019064→ C 015186→ →C 004093	3470.89D50
			1998.03 - 2001.08	Chassis No C 004094→ →C 019063 →C 015185	410530.89D ▲
2.5 D	S8U 758, S8U 780, S8U 782	2.5	1998.03 - 2001.08		4151.76D
ASTRA					
1.2	12 S	1.2	1979.10 - 1984.08		3017.92D50
1.2 S	12 S	1.2	1982.02 - 1984.08		3017.92D50
1.3		1.3	1980.09 - 1984.08		3017.92D50
1.3 S	13 S	1.3	1979.09 - 1984.08		3017.92D50
1.6 D	16 D	1.6	1982.02 - 1986.08		4115.92D
1.6 S	16 S, 16 SH	1.6	1981.09 - 1986.08		3054.87D50
1.8 GTE	18 E	1.8	1983.03 - 1986.08		4255.82D
ASTRA Mk II					
1.2	12 S	1.2	1984.09 - 1991.08		3017.92D2
1.3	13 S	1.3	1984.09 - 1991.08		3017.92D2
1.4 i	C 14 NZ	1.4	1990.01 - 1991.12		3017.92D2
1.4 S	14 NV	1.4	1989.01 - 1991.08		3017.92D2
1.5 DT	15 DT, 15 DT (T4EC1)	1.5	1987.01 - 1991.08		3468.88D
1.6	16 S, 16 SH, 16 SV	1.6	1984.09 - 1991.08	16 SV	3017.92D2
			1985.09 - 1991.08	16 SH	4115.92D
1.6 D	16 DA	1.6	1984.09 - 1991.08		4115.92D
1.6 i	16 SV, C 16 LZ, C 16 NZ, E 16 NZ	1.6	1987.01 - 1993.08		3017.92D2
1.6 S	16 S, 16 SH, 16 SV	1.6	1989.01 - 1991.12	16 SV	3017.92D2
			1984.09 - 1986.08	16 SH	4115.92D
1.7 D	17 D, 17 DR	1.7	1989.01 - 1991.12		4115.92D
1.8	18 SE	1.8	1986.01 - 1990.12		4164.92D
1.8 GTE	18 E, 18 SE	1.8	1984.09 - 1991.08	ohne Gehäuse	4115.92D
			1984.09 - 1991.08	mit Gehäuse	4164.92D
1.8 i	18 E, 18 SE	1.8	1990.01 - 1991.08	ohne Gehäuse	4115.92D
			1985.09 - 1991.08	mit Gehäuse	4164.92D
1.9	C 20 XE	1.9	1990.09 - 1991.08		3017.92D2
2.0 GTE	20 SEH	2.0	1986.09 - 1991.08		4164.92D
2.0 GTE 16V	20 XE	2.0	1988.05 - 1991.08		4164.92D
2.0 i	20 NE, C 20 NE	2.0	1987.01 - 1993.08		4164.92D
ASTRA Mk III					
1.4 i	C 14 NZ, C 14 SE	1.4	1991.01 - 2001.03		3017.92D2
1.4 i 16V	X 14 XE	1.4	1996.01 - 2001.03		4178.92D
1.4 S	14 NV	1.4	1991.09 - 1998.02		3017.92D2
1.6	C 16 SE	1.6	1994.03 - 1995.08		4178.92D
1.6 i	C 16 NZ, C 16 SE, E 16 NZ, X 16 SZ, X 16 SZR	1.6	1991.01 - 2001.03		3017.92D2
1.6 i 16V	X 16 XEL	1.6	1994.01 - 1998.09		4178.92D
1.6 Si	C 16 SE	1.6	1991.03 - 1994.12		3017.92D2
1.7 D	17 D, 17 DR	1.7	1991.01 - 1998.09		4115.92D

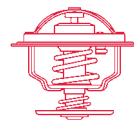


Thermostate
Thermostats
Thermostats

VAUXHALL

	Motor Engine Moteur	Ltr. Ltr. Ltr.	Jahr Year Année	Einschränkung Restriction* Restriction*	Thermostat Thermostat Thermostat
1.7 TD	17 DT (TC4EE1), X 17 DTL	1.7	1994.01 - 1998.09 1991.12 - 1998.09	X 17 DTL 17 DT Motornummer →731418	4115.92D 3468.88D
			1991.12 - 1998.09	17 DT Motornummer 731419→	3467.85D
1.8	C 18 XE	1.8	1994.09 - 1996.08	Chassis No →01458051	4177.92D
			1994.09 - 1996.08	Chassis No 01458052→	4183.92D
1.8 16V	C 18 XEL, X 18 XE	1.8	1994.11 - 2001.03	Chassis No →01458051	4177.92D
			1994.11 - 2001.03	Chassis No 01458052→	4183.92D
1.8 i	C 18 NZ	1.8	1991.09 - 1998.09		4168.92D
1.8 i 16V	C 18 XE, C 18 XEL	1.8	1993.06 - 1998.02	Chassis No →01458051	4177.92D
			1993.06 - 1998.02	Chassis No 01458052→	4183.92D
2.0 i	C 20 NE	2.0	1991.09 - 1998.09		4168.92D
2.0 i 16V	C 20 XE, X 20 XEV	2.0	1991.09 - 1998.02	C 20 XE	4164.92D
			1994.01 - 1998.09	X 20 XEV	4183.92D
ASTRA Mk IV					
1.2 16V	X 12 XE, Z 12 XE	1.2	1998.02 - 2000.09		4459.92D
1.4 16V	X 14 XE, Z 14 XE	1.4	1998.02 - 1998.02 -	X 14 XE Z 14 XE	4208.92D 4242.92D
1.6	X 16 SZR, Z 16 SE	1.6	1998.02 - 2004.04		3017.92D2
1.6 16V	X 16 XEL, Z 16 XE	1.6	1998.02 - 2004.04	X 16 XEL	4208.92D
			1998.02 - 2004.04	Z 16 XE	4242.92D
1.6 Dualfuel	Z 16 XE	1.6	1998.03 - 2004.04		4242.92D
1.6 i	X 16 SZR, Z 16 SE	1.6	1998.08 - 2000.09		3017.92D2
1.7 TD	X 17 DTL	1.7	1998.02 - 2000.08		4115.92D
1.9	X 20 XER	1.9	1999.10 - 2000.08		4183.92D
2.0	Z 20 LET	2.0	2002.08 - 2006.07		4183.92D
2.0 16V	X 20 XEV	2.0	1998.02 -		4183.92D
2.0 16V Turbo	Z 20 LET	2.0	2000.09 -		4183.92D
2.0 DI	X 20 DTL, Y 20 DTL	2.0	1998.02 - 2004.07		4198.92D
2.0 DTI	Y 20 DTH	2.0	2004.04 -	Motornummer →17B49754	4198.92D
			2004.04 -	Motornummer 17B49755→	4428.92D
				→2(2/5/6/8/B/H) 999999	
			2004.04 -	Motornummer 3(2/5/6/8/B/H) 999999→	4433.92D
2.0 DTI 16V	Y 20 DTH	2.0	1998.02 - 2004.07	Motornummer →17B49754	4198.92D
			1998.02 - 2004.07	Motornummer 17B49755→	4428.92D
				→2(2/5/6/8/B/H) 999999	
			1998.02 - 2004.07	Motornummer 3(2/5/6/8/B/H) 999999→	4433.92D
2.0 SRI Turbo	Z 20 LET	2.0	2002.07 -		4183.92D
2.0 Turbo	Z 20 LET	2.0	2002.03 -		4183.92D

Thermostate
Thermostats
Thermostats



VAUXHALL

	Motor Engine Moteur	Ltr. Ltr. Ltr.	Jahr Year Année	Einschränkung Restriction* Restriction*	Thermostat Thermostat Thermostat
2.2 16V	Z 22 SE	2.2	2000.03 -		411193.82D ▲
ASTRA Mk V					
1.3 CDTI	Z 13 DTH	1.3	2004.01 - 2009.05		410048.88D ▲
1.4	Z 14 XEP	1.4	2004.01 - 2009.05		4459.92D
1.4 i	Z 14 XEP	1.4	2005.03 -		4459.92D
1.6	Z 16 LET, Z 16 XE1, Z 16 XEP, Z 16 XER	1.6	2004.08 - 2009.03 2004.01 - 2009.05	Z 16 LET Z 16 XEP, Z 16 XER, Z 16 XE1	4357.92D ▲ 4431.105D ▲
1.6 i 16V	Z 16 XER	1.6	2006.10 -		4431.105D ▲
1.8	A 18 XER, Z 18 XER	1.8	2004.01 - 2009.05		4431.105D ▲
1.9 CDTI	Z 19 DT, Z 19 DTH, Z 19 DTJ, Z 19 DTL	1.9	2004.01 - 2009.05		410049.88D ▲
2.0	Z 20 LEL	2.0	2006.02 - 2006.09		4183.92D
2.0 Turbo	Z 20 LEH, Z 20 LEL, Z 20 LER	2.0	2004.01 - 2009.05		4183.92D
CALIBRA					
2.0 i	C 20 NE	2.0	1990.06 - 1997.07		4144.92D
2.0 i 16V	C 20 XE, X 20 XEV	2.0	1990.06 - 1994.02 1990.06 - 1997.07	C 20 XE X 20 XEV	4164.92D 4183.92D
2.0 i Turbo	C 20 LET	2.0	1992.03 - 1997.07		4164.92D
2.5 i V6	C 25 XE, X 25 XE	2.5	1993.04 - 1997.07		4175.92D
CARLTON Mk II					
1.8	S 18 NV	1.8	1986.09 - 1988.08		4115.92D
1.8 S	18 S	1.8	1982.11 - 1986.08		4115.92D
1.9	20 E	1.9	1977.09 - 1986.08		4255.87D
2.0 i	20 E	2.0	1983.01 - 1984.12		4255.87D
2.0 S	C 20 NEJ	2.0	1978.10 - 1986.08		4144.92D
2.2 i	22 E	2.2	1984.11 - 1986.08		4255.92D
2.3 D	23 D	2.3	1983.05 - 1986.08		4255.92D
CARLTON Mk III					
1.8	E 18 NVR	1.8	1987.09 - 1994.03		4144.92D
1.8 i	18 SEH	1.8	1986.09 - 1994.03		4144.92D
1.8 N	18 NV	1.8	1986.09 - 1987.08		4144.92D
1.8 S	18 SV	1.8	1986.09 - 1994.03		4144.92D
2.0	C 20 NE, C 20 NEF, C 20 NEJ	2.0	1986.09 - 1994.03		4144.92D
2.0 i	20 SE, C 20 NEJ	2.0	1986.09 - 1994.03		4144.92D
2.2 TD	23 YDT	2.2	1986.09 - 1988.08		4255.92D
2.3 D	23 YD	2.3	1986.09 - 1994.03		4255.92D
2.3 TD Interc.	23 DTR	2.3	1988.08 - 1994.03		4255.92D
2.4 i	C 24 NE	2.4	1988.09 - 1994.03		4255.92D
2.6 i	C 26 NE	2.6	1990.09 - 1994.03		4255.92D
3.0	C 30 NE	3.0	1987.03 - 1994.03		4255.92D
3.0 24V	C 30 SEJ	3.0	1989.09 - 1994.03		4255.92D
3.0 3000	30 NE	3.0	1987.03 - 1990.09		4255.92D
3.0 3000 24V	C 30 SE	3.0	1989.09 - 1994.03		4255.92D
3000	C 30 LE, C 30 NE	2.9	1987.03 - 1994.03		4255.92D
3000 24V	C 30 SEJ	3.0	1989.09 - 1994.03		4255.92D
CAVALIER					
1.3		1.3	1975.08 - 1981.08		3017.87D50
1.6		1.6	1975.08 - 1981.08	Motornummer →16S-687305	3054.92D50
			1975.08 - 1981.08	Motornummer 16S-687306→	3017.92D2
1.6 N	16 N	1.6	1975.03 - 1981.08		3054.87D50

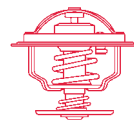


Thermostate
Thermostats
Thermostat

VAUXHALL

	Motor Engine Moteur	Ltr. Ltr. Ltr.	Jahr Year Année	Einschränkung Restriction* Restriction*	Thermostat Thermostat Thermostat
1.6 S	16 S, 16 S CIH	1.6	1975.08 - 1981.08		3054.87D50
1.9 S		1.9	1975.10 - 1978.03		3054.87D50
1300	13 N	1.3	1977.08 - 1981.08		3054.87D50
1600	16 S, 16 S CIH	1.6	1975.09 - 1981.08		3054.87D50
1900	19 S	1.9	1975.10 - 1978.03		3054.87D50
2.0		2.0	1979.01 - 1981.01	Motornummer →20S-802835	3054.87D50
			1979.01 - 1981.01	Motornummer 20S-802836→	3021.88D50
2.0 S	20 S	2.0	1978.01 - 1981.08	Motornummer →20S-602835	3054.87D50
			1978.01 - 1981.08	Motornummer 20S-602836→	3021.88D50
2000	20 S	2.0	1977.08 - 1981.08	Motornummer →20S-602835	3054.87D50
			1977.08 - 1981.08	Motornummer 20S-602836→	3021.88D50
CAVALIER Mk II					
1.3	13 NB	1.3	1981.09 - 1988.08		3017.92D2
1.3 N	13 N	1.3	1981.09 - 1988.08		3017.92D2
1.3 S	13 S	1.3	1981.09 - 1988.08		3017.92D2
1.6	16 SH	1.6	1983.10 - 1988.08		4164.92D
1.6 D	16 D, 16 DA	1.6	1982.03 - 1988.08		4115.92D
1.6 i	C 16 LZ, C 16 NZ, E 16 NZ	1.6	1986.08 - 1988.08		3017.92D2
1.6 N	16 N	1.6	1981.09 - 1988.08		4164.92D
1.6 S	16 S, 16 SH	1.6	1981.09 - 1988.08		4164.92D
1.8	E 18 NV	1.8	1986.08 - 1988.08		4164.92D
1.8 i	18 E, 18 SE, C 18 NE	1.8	1985.01 - 1986.08 1981.09 - 1988.08	C 18 NE 18 SE, 18 E	4115.92D 4164.92D
1600D	16 D, 16 DA	1.6	1982.03 - 1988.08		4115.92D
1800i	18 SE	1.8	1985.03 - 1988.10		4115.92D
2.0	20 E, 20 S	2.0	1986.09 - 1987.08 1986.08 - 1987.08	20 S 20 E	3021.88D50 4144.92D
2.0 i	20 NE, C 20 NE	2.0	1986.09 - 1988.08		4164.92D
2.0 SRi 130	20 SEH	2.0	1987.03 - 1988.08		4164.92D
2000i	20 SE	2.0	1986.09 - 1988.08		4164.92D
CAVALIER Mk III					
1.4 S	14 NV	1.4	1988.09 - 1995.11		3017.92D2
1.6	16 SV	1.6	1988.09 - 1993.05		3017.92D2
1.6 i	E 16 NZ, X 16 SZ	1.6	1988.09 - 1995.11		3017.92D2
1.7 D	17 D, 17 DR	1.7	1988.09 - 1995.11		4115.92D
1.7 TD	17 DT (TC4EE1)	1.7	1988.09 - 1995.11	Motornummer →731418	3468.88D
			1988.09 - 1995.11	Motornummer 731419→	3467.85D
1.8	18 SV, C 18 NZ	1.8	1988.09 - 1992.10		4144.92D
1.8 i	C 18 NZ	1.8	1990.03 - 1995.11		4144.92D
2.0 GSi	20 XE	2.0	1989.09 - 1992.08		4164.92D
2.0 i	20 NE, 20 SEH, C 20 NE	2.0	1988.09 - 1995.11		4164.92D
2.0 i 16V	C 20 XE, X 20 XEV	2.0	1988.09 - 1995.11 1993.09 - 1995.11	C 20 XE X 20 XEV	4164.92D 4183.92D
2.0 i Turbo	C 20 LET	2.0	1992.06 - 1994.11		4164.92D
2.0 SRi	20 SEH	2.0	1988.09 - 1992.09		4164.92D
2.0 SRi 16V	X 20 XEV	2.0	1993.09 - 1995.11		4183.92D
2.5 V6	C 25 XE	2.5	1988.08 - 1994.06		4175.92D

Thermostate
Thermostats
Thermostats



VAUXHALL

	Motor Engine Moteur	Ltr. Ltr. Ltr.	Jahr Year Année	Einschränkung Restriction* Restriction*	Thermostat Thermostat Thermostat
CHEVETTE					
1.2	13 N	1.2	1976.09 - 1985.12		3017.92D50
1300	13 N, 13 S	1.3	1975.03 - 1985.12		3017.92D50
COMBO Mk I					
1.2	C 12 NZ, X 12 SZ	1.2	1994.07 - 2001.10		3017.92D2
1.4	C 14 NZ, C 14 SE	1.4	1994.07 - 2001.10		3017.92D2
1.7 D	17 D (4EE1), X 17 D (4EE1)	1.7	1994.07 - 2001.10	Motornummer →334922	3467.85D
COMBO Mk II					
1.4 i 16V	Z 14 XEP	1.4	2004.01 -		4459.92D
1.6	Z 16 SE	1.6	2001.08 - 2004.10		3017.92D2
CORSA Mk II					
1.0 i 12V	X 10 XE	1.0	1996.11 - 2000.09		4459.92D
1.2 i	C 12 NZ, X 12 SZ	1.2	1993.03 - 2000.09		3017.92D2
1.2 i 16V	X 12 XE	1.2	1998.03 - 2000.09		4459.92D
1.4 i	C 14 NZ, X 14 SZ	1.4	1993.03 - 2000.09		3017.92D2
1.4 i 16V	X 14 XE	1.4	1994.09 - 2000.09		4178.92D
1.4 i S	C 14 SE	1.4	1993.03 - 2000.09		3017.92D2
1.5 D	15 D	1.5	1993.03 - 2000.09	Motornummer →544012	3468.88D
			1993.03 - 2000.09	Motornummer 544013→	3467.85D
1.5 TD	15 DT (T4EC1), X 15 DT (T4EC1)	1.5	1993.03 - 1996.10	Motornummer →544012	3468.88D
			1993.03 - 1996.10	Motornummer 544013→	3467.85D
1.6 GSI 16V	C 16 XE	1.6	1993.03 - 2000.09		4178.92D
1.6 i 16V	X 16 XE	1.6	1994.09 - 2000.09		4178.92D
1.7 D	17 D (4EE1), X 17 D (4EE1)	1.7	1996.02 - 2000.09	Motornummer →334922	3467.85D
CORSA Mk III					
1.0 12V	Z 10 XE, Z 10 XEP	1.0	2000.09 - 2003.10		4459.92D
1.2 16V	Z 12 XE	1.2	2000.09 - 2004.07		4459.92D
1.2 16V Dualfuel	Z 12 XE	1.2	2001.08 - 2004.07		4459.92D
1.3 CDTI 16V	Z 13 DT	1.3	2000.08 - 2006.09		410588.88D ▲
1.4 16V	Z 14 XE	1.4	2000.09 -		4242.92D
CORSA Mk IV					
1.0	A 10 XEP, Z 10 XEP	1.0	2006.11 -		4459.92D
1.2	Z 12 XEP	1.2	2006.11 -		4459.92D
1.3 CDTI	A 13 DTC, Z 13 DTH, Z 13 DTJ	1.3	2006.11 -		410048.88D ▲
1.4	Z 14 XEP	1.4	2006.07 -		4459.92D
1.6 16V Turbo	A 16 LER, Z 16 LER	1.6	2007.02 -		4357.92D ▲
CORSA Convertible					
1.4 i 16V	X 14 XE	1.4	1998.01 -		4178.92D
CORSAVAN Mk II					
1.4 i	C 14 NZ	1.4	1994.01 - 2000.09		3017.92D2
1.5 D	15 D	1.5	1994.08 - 1995.12	Motornummer →544012	3468.88D
			1994.08 - 1995.12	Motornummer 544013→	3467.85D

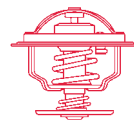


Thermostate
Thermostats
Thermostats

VAUXHALL

	Motor Engine Moteur	Ltr. Ltr. Ltr.	Jahr Year Année	Einschränkung Restriction* Restriction*	Thermostat Thermostat Thermostat
1.7 D	17 D (4EE1), X 17 D (4EE1)	1.7	1994.01 - 2000.09	Motornummer →334922	3467.85D
CORSAVAN Mk III					
1.2 16V	Z 12 XE	1.2	2000.09 -		4459.92D
1.2 16V Dualfuel	Z 12 XE	1.2	2001.08 -		4459.92D
1.3 CDTI 16V	Z 13 DT	1.3	2004.04 -		410588.88D ▲
1.4	Z 14 XEP	1.4	2003.11 - 2006.11		4459.92D
FRONTERA Mk I (A)					
2.0	C 20 NE, X 20 SE	2.0	1995.04 - 1998.08		4144.92D
2.0 i	C 20 NE, X 20 SE	2.0	1992.03 - 1998.10		4144.92D
2.2 i	X 22 XE	2.2	1995.03 - 1998.10		4177.92D
2.3 TD	23 DTR	2.3	1992.03 - 1998.10		4255.92D
2.4 i	C 24 NE	2.4	1992.03 - 1998.10		4255.92D
2.5 TDS	25TDS (VM41B)	2.5	1996.09 - 1998.10		4158.80D
FRONTERA Mk II (B)					
2.2 DTI	X 22 DTH, Y 22 DTH	2.2	1998.10 - 2004.09		4207.92D
2.2 i	X 22 SE, Y 22 SE	2.2	1998.10 -		4177.92D
3.2 i	6 VD1, Y 32 NE	3.2	1998.10 - 2004.10		4144.92D
INSIGNIA					
1.6	A 16 XER	1.6	2008.07 -	Chassis No →91999999	4431.105D ▲
1.6 Turbo	A 16 LET	1.6	2009.01 -		4357.92D ▲
1.8	A 18 XER	1.8	2008.07 -	Chassis No →91999999	4431.105D ▲
MAGNUM					
1.8		1.8	1973.01 - 1981.01		3004.88D1
2.3		2.3	1973.01 - 1981.01		3004.88D1
MERIVA Mk I (A)					
1.3 CDTI	Z 13 DTJ	1.3	2003.01 - 2009.10		410588.88D ▲
1.4 16V Twinport	Z 14 XEP	1.4	2003.01 - 2009.10		4459.92D
1.6 i	Z 16 SE	1.6	2003.01 - 2009.10		3017.92D2
1.6 i 16V	Z 16 XE	1.6	2003.01 - 2009.10		4242.92D
1.6 i 16V Twinport	Z 16 XEP	1.6	2003.01 - 2009.10		4431.105D ▲
1.6 Turbo	Z 16 LET	1.6	2006.05 -		4357.92D ▲
MOVANO					
1.9 DTI	F9Q 770, F9Q 774	1.9	2001.10 - 2000.09 - 2001.10	Motornummer 000529→	410517.83D ▲ 3470.89D50
2.5 D	S8U 770	2.5	1998.10 - 2000.09		4174.79D
2.8 DTI	S9W 702	2.8	1998.10 - 2001.10		4174.79D
2.8 TDI	S9W 702	2.8	1998.10 - 2001.10		4174.79D
NOVA					
1.0	10 S	1.0	1982.09 - 1993.03		3017.92D2
1.2	12 NV	1.2	1990.01 - 1994.10		3017.92D2
1.2 i	12 NC, C 12 NZ, E 12 GV	1.2	1985.01 - 1993.03		3017.92D2
1.2 N	12 NC, 12 NV, E 12 GV	1.2	1985.01 - 1993.03		3017.92D2
1.2 S	12 S, 12 ST	1.2	1982.09 - 1990.02		3017.92D2
1.3 i	13 NB, C 13 N	1.3	1985.09 - 1993.03		3017.92D2
1.3 S	13 SB	1.3	1982.09 - 1989.10		3017.92D2
1.4	14 NV, C 14 NZ, C 14 SE	1.4	1990.09 - 1993.03		3017.92D2
1.4 i	C 14 NZ	1.4	1990.01 - 1993.03		3017.92D2

Thermostate
Thermostats
Thermostats



VAUXHALL

	Motor Engine Moteur	Ltr. Ltr. Ltr.	Jahr Year Année	Einschränkung Restriction* Restriction*	Thermostat Thermostat Thermostat
1.4 i S	C 14 SE	1.4	1991.09 - 1993.03		3017.92D2
1.4 S	14 NV	1.4	1990.01 - 1993.03		3017.92D2
1.5 D	15 D	1.5	1987.09 - 1994.10		3468.88D
1.5 TD	15 DT (T4EC1)	1.5	1990.01 - 1993.03		3468.88D
1.6		1.6	1988.09 - 1990.08		3017.92D2
1.6 GSI	C 16 SE, C 16 SEI, E 16 SE	1.6	1988.05 - 1993.03		3017.92D2
OMEGA					
2.0	20 SE, X 20 SE	2.0	1994.03 - 1999.09		4144.92D
2.0 16V	X 20 XEV	2.0	1994.03 - 2001.02		4183.92D
2.0 DTI 16V	X 20 DTH	2.0	1998.01 - 2000.09		4188.92D
2.2 16V	Y 22 XE, Z 22 XE	2.2	1994.01 - 2003.06		4183.92D
2.2 DTI 16V	Y 22 DTH	2.2	2000.08 - 2004.03		4188.92D
2.5 DTI 24V	Y 25 DT	2.5	2001.09 -		4237.80D
2.5 TD	25 DT, X 25 DT	2.5	1994.04 - 2001.02		4237.80D
2.5 V6	X 25 XE	2.5	1994.03 - 2000.09		4175.92D
2.6 V6	Y 26 SE	2.6	2000.08 - 2004.03	WAHLER Motornummer →11999999	4175.92D
3.0 V6	X 30 XE	3.0	1994.04 - 2000.07	WAHLER Motornummer →11999999	4175.92D
3.2 V6	Y 32 SE	3.2	2001.02 - 2004.03	WAHLER Motornummer →11999999	4175.92D
ROYALE					
2.0 E	H 20 E	2.0	1983.03 - 1984.10		4255.87D
2.2 E	22 E	2.2	1984.11 - 1987.08		4255.87D
2.2 TD	23 TD	2.2	1984.11 - 1987.08		4255.92D
2.5		2.5	1978.05 - 1980.12	25 S	3054.92D50
2.5 E	25 E, H 25 E	2.5	1983.01 - 1987.08		4255.87D
2.8	28 H	2.8	1978.02 - 1982.10		3054.92D50
2.9	30 E, 30 H, C 30 LE	2.9	1978.02 - 1987.08		4255.92D
2.9 E	30 E	2.9	1978.02 - 1986.12		4255.92D
3.0	30 E	3.0	1979.10 - 1982.10		4255.92D
SENATOR					
2.5 i	25 E	2.5	1984.09 - 1990.10		4255.87D
2.6 i	C 26 NE	2.6	1990.09 - 1993.09		4255.92D
3.0	30 NE, C 30 LE	3.0	1987.09 - 1993.09		4255.92D
3.0 24V	C 30 SE	3.0	1989.09 - 1993.09		4255.92D
3.0 i	30 E, C 30 NE	3.0	1984.09 - 1993.09		4255.92D
SIGNUM					
1.8	Z 18 XER	1.8	2005.08 -		4431.105D ▲
1.9 CDTI	Z 19 DT	1.9	2004.04 - 2008.03		410049.88D ▲
1.9 CDTI 16V	Z 19 DTH	1.9	2004.04 - 2008.03		410049.88D ▲
2.0 DTI	Y 20 DTH	2.0	2003.05 -		4297.92D
2.0 i Turbo	Z 20 NET	2.0	2002.01 - 2008.10		411193.82D ▲
2.2 DTI	Y 22 DTR	2.2	2003.05 -		4297.92D
2.2 i	Z 22 YH	2.2	2003.05 -		411193.82D ▲
SINTRA					
2.2 DTI	X 22 DTH	2.2	1997.07 - 1999.04		4192.92D
2.2 i 16 V	X 22 XE	2.2	1996.11 - 1999.04		4183.92D
3.0 i 24V	X 30 XE	3.0	1996.11 - 1999.04		4175.92D



Thermostate
Thermostats
Thermostats

VAUXHALL

**Motor
Engine
Moteur**

**Ltr.
Ltr.
Ltr.**

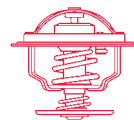
**Jahr
Year
Année**

**Einschränkung
Restriction*
Restriction***

**Thermostat
Thermostat
Thermostat**

	Motor Engine Moteur	Ltr. Ltr. Ltr.	Jahr Year Année	Einschränkung Restriction* Restriction*	Thermostat Thermostat Thermostat
TIGRA					
1.4 16V	X 14 XE	1.4	1994.07 - 2000.12		4178.92D
1.6 16V	X 16 XE	1.6	1994.07 - 2000.12		4178.92D
TIGRA TwinTop					
1.4	Z 14 XEP	1.4	2004.06 -		4178.92D
VECTRA					
1.6 i	X 16 SZR	1.6	1995.08 - 2001.10		3017.92D2
1.6 i 16V	X 16 XEL, Y 16 XE, Z 16 XE	1.6	1995.08 - 2001.10 1995.08 - 2001.10	X 16 XEL Y 16 XE, Z 16 XE	4178.92D 4242.92D
1.7 TD	X 17 DT (TC4EE1)	1.7	1995.10 - 1996.11		3467.85D
1.8 i 16V	X 18 XE, X 18 XE1	1.8	1995.10 - 2000.09	X 18 XE	4183.92D
2.0 DI 16V	X 20 DTL	2.0	1995.08 - 2001.10		4188.92D
2.0 DTI 16V	X 20 DTH, Y 20 DTH	2.0	1995.08 - 2001.10		4201.92D
2.0 i 16V	X 20 XEV	2.0	1995.10 - 2001.01		4183.92D
2.2 DTI 16V	Y 22 DTR	2.2	1995.08 - 2001.10		4201.92D
2.2 i 16V	Z 22 SE	2.2	1995.08 - 2001.10		411193.82D ▲
2.5 i GSi	X 25 XE	2.5	1998.03 - 2000.07		4175.92D
2.5 i V6	X 25 XE	2.5	1995.09 - 2000.08		4175.92D
2.6 i V6	Y 26 SE	2.6	2000.09 - 2002.03	Motornummer →11162841 →17080724	4175.92D
VECTRA Mk II					
1.6	Z 16 XEP	1.6	2006.01 - 2008.07		4431.105D ▲
1.6 16V	Z 16 XE	1.6	2004.06 - 2008.07		4242.92D
1.8	Z 18 XER	1.8	2006.01 - 2008.07		4431.105D ▲
1.9 CDTI	Z 19 DT, Z 19 DTL	1.9	2004.04 - 2008.07		410049.88D ▲
1.9 CDTI 16V	Z 19 DTH	1.9	2004.04 - 2005.08		410049.88D ▲
2.0 16V Turbo	Z 20 NET	2.0	2000.01 - 2008.10		411193.82D ▲
2.0 DTI 16V	Y 20 DTH	2.0	2002.04 - 2008.07		4297.92D
2.2 16V	Z 22 SE	2.2	2002.01 - 2008.10		411193.82D ▲
2.2 direct	Z 22 YH	2.2	2002.01 - 2008.10		411193.82D ▲
2.2 DTI 16V	Y 22 DTR	2.2	2002.04 - 2008.07		4297.92D
VICEROY					
2500	25 S	2.5	1980.01 - 1982.10		3054.87D50
VIVARO					
1.9 DI		1.9	2001.08 -		410517.89D ▲
1.9 DTI	F9Q 760	1.9	2001.08 -		410517.83D ▲
2.0 16V	F4R 720	2.0	2001.08 -		3466.89D
1.9 DI		1.9	2001.08 -		410517.89D ▲
1.9 DTI	F9Q 760	1.9	2001.08 -		410517.83D ▲
2.0 16V	F4R 720	2.0	2001.08 -		3466.89D
VX 220					
2.0 i Turbo	Z 20 LET	2.0	2001.03 - 2004.04		4183.92D
2.2 i	Z 22 SE	2.2	2000.09 -		411193.82D ▲
ZAFIRA Mk I (A)					
1.6 16V	X 16 XEL, Z 16 XE	1.6	1999.04 -		4208.92D
1.6 CNG	Z 16 YNG	1.6	2001.09 - 2005.06		4242.92D
1.9	Z 20 LET	1.9	2002.06 - 2005.06		4183.92D
2.0 DI 16V	X 20 DTL	2.0	1999.10 -		4198.92D

Thermostate
Thermostats
Thermostats



VAUXHALL

	Motor Engine Moteur	Ltr. Ltr. Ltr.	Jahr Year Année	Einschränkung Restriction* Restriction*	Thermostat Thermostat Thermostat
2.0 DTI 16V	Y 20 DTH	2.0	1999.04 - 2005.08	Motornummer →17B49754	4198.92D
			1999.04 - 2005.08	Motornummer 17B49755→ →2(2/5/6/8/B/H) 999999	4428.92D
			1999.04 - 2005.08	Motornummer 3(2/5/6/8/B/H) 999999→	4433.92D
2.0 GSI Turbo	Z 20 LET	2.0	2001.09 - 2005.06		4183.92D
2.2 16V	Z 22 SE	2.2	1998.11 - 2004.08		411193.82D ▲
2.2 D	Y 22 DTR	2.2	2001.06 - 2005.06		4433.92D
ZAFIRA Mk II (B)					
1.6	Z 16 XEP	1.6	2005.07 -		4431.105D ▲
1.8	A 18 XER, Z 18 XEP, Z 18 XER	1.8	2005.04 -	A 18 XER, Z 18 XER	4431.105D ▲
1.9 CDTI	Z 19 DT, Z 19 DTH	1.9	2005.07 -		410049.88D ▲
2.0	Z 20 LEH, Z 20 LER	2.0	2005.07 -		4183.92D
2.2	Z 22 YH	2.2	2005.07 -		411193.82D ▲



Thermostate
Thermostats
Thermostats

VOLKSWAGEN

Motor
Engine
Moteur

Ltr.
Ltr.
Ltr.

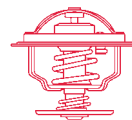
Jahr
Year
Année

Einschränkung
Restriction*
Restriction*

Thermostat
Thermostat
Thermostat

	Motor Engine Moteur	Ltr. Ltr. Ltr.	Jahr Year Année	Einschränkung Restriction* Restriction*	Thermostat Thermostat Thermostat
BORA					
1.4 16V	AHW, AKQ, APE, AXP, BCA	1.4	2000.03 - 2005.05 2000.03 - 2005.05	mit Gehäuse	3143.87D 410989.87D ▲
1.6	AEH, AKL, APF	1.6	1998.10 - 2005.05	AEH, AKL	3141.87D
1.6 16V	ATN, AUS, AZD, BCB	1.6	2000.02 - 2005.05 2000.02 - 2005.05	mit Gehäuse	3143.87D 410989.87D ▲
1.8	AGN, BAF	1.8	1998.10 - 2005.05	AGN	3141.87D
1.8 T	AGU, ARX, AUM, AUQ, BAE	1.8	2000.05 - 2005.05	AGU, AUM, AUQ	3141.87D
1.9 SDI	AGP, AQM	1.9	1998.10 - 2005.05		4264.87D
1.9 TDI	AGR, AHF, AJM, ALH, ARL, ASV, ASZ, ATD, AUJ, AXR	1.9	1998.10 - 2005.05		4264.87D
2.0	APK, AQY, AZG, AZH, AZJ, BBW	2.0	1998.10 - 2005.05		3141.87D
2.3 V5	AGZ, AQN	2.3	1998.10 - 2000.10 1998.10 - 2005.05 2000.10 - 2005.05	Chassis No →1J-X-800 000 Chassis No 1J-Y-000 001→ →1J-2-799 999 Chassis No 1J-3-000 001→	4264.87D 4123.80D 4455.80D
2.8 V6	AQP, AUE, BDE	2.8	1999.03 - 2005.05 1999.03 - 2005.05	Chassis No →1J-2-799 999 Chassis No 1J-3-000 001→	4123.80D 4455.80D
CADDY I					
1.5	JB	1.5	1982.08 - 1983.07		4264.87D
1.6	EM, EW	1.6	1982.10 - 1992.07		4264.87D
1.6 D	JK, ME	1.6	1982.08 - 1992.07		4253.87D
1.8	JH	1.8	1985.08 - 1992.07		4264.87D
CADDY II (9K9)					
1.4	AEX, AKV, APQ, AUA, AUD	1.4	1995.11 - 2004.01 1995.11 - 2004.01	mit Gehäuse	3143.87D 410989.87D ▲
1.4 16V	AUA	1.4	2000.08 - 2004.01 2000.08 - 2004.01	mit Gehäuse	3143.87D 410989.87D ▲
1.6	1F, AEE	1.6	1997.06 - 2000.09 1997.06 - 2000.09 1995.11 - 1997.05	AEE AEE mit Gehäuse 1F	3143.87D 410989.87D ▲ 4264.87D
1.7 SDI	AHB	1.7	1996.07 - 2000.09		4264.87D
1.9 D	1Y	1.9	1995.11 - 2004.01		4264.87D
1.9 SDI	AEY, AYQ	1.9	1995.11 - 2004.01		4264.87D
1.9 TDI	1Z, AHU, ALE, ALH	1.9	1996.09 - 2004.01		4264.87D
60 1.4	AEX, APQ, AUD	1.4	1995.11 - 2004.01 1995.11 - 2004.01	mit Gehäuse	3143.87D 410989.87D ▲
75 1.6	1F, AEE	1.6	1995.11 - 2000.09 1995.11 - 2000.09 1995.11 - 1997.05	AEE AEE mit Gehäuse 1F	3143.87D 410989.87D ▲ 4264.87D
CADDY II Pick-up (9U7)					
1.6	AEE	1.6	1996.06 - 2000.12 1996.06 - 2000.12	mit Gehäuse	3143.87D 410989.87D ▲
1.9 D	AEF	1.9	1996.06 - 2000.12		4264.87D
CADDY III (2KB, 2KJ)					
1.4	BCA	1.4	2004.03 - 2004.03 -	mit Gehäuse	3143.87D 410475.87D ▲

Thermostate
Thermostats
Thermostats



VOLKSWAGEN

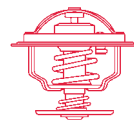
	Motor Engine Moteur	Ltr. Ltr. Ltr.	Jahr Year Année	Einschränkung Restriction* Restriction*	Thermostat Thermostat Thermostat
CADDY III (2KA, 2KH, 2CA, 2CH)					
1.4 16V	BUD	1.4	2006.05 - 2006.05 -	mit Gehäuse	3143.87D 410475.87D ▲
1.6	BGU, BSE, BSF	1.6	2004.04 -		3141.87D
CADDY III (2KB, 2KJ)					
1.6 TDI	CAYD, CAYE	1.6	2010.08 -		410845.92D ▲
1.9 TDI	BJB, BLS, BSU	1.9	2004.04 - 2004.04 -	BJB BLS, BSU	4264.87D 4820.87D
CADDY III (2KA, 2KH, 2CA, 2CH)					
2.0 EcoFuel	BSX	2.0	2006.04 -		3141.87D
2.0 SDI	BDJ, BST	2.0	2004.03 -		4264.87D
2.0 TDI	BMM, CFHF	2.0	2010.10 - 2007.09 -		410845.87D ▲ 4820.87D
2.0 TDI 16V	CFHC	2.0	2010.11 -		410845.87D ▲
CORRADO					
1.8 16V	KR	1.8	1989.04 - 1992.07		4264.87D
1.8 G60	PG	1.8	1988.09 - 1993.09		4264.87D
2.0 i	2E, ADY	2.0	1993.04 - 1995.12		4264.87D
2.0 i 16V	9A	2.0	1991.08 - 1995.12		4264.87D
2.9 VR6	ABV	2.9	1991.08 - 1995.12		4123.80D
CRAFTER					
2.5 TDI	BJJ, BJK, BJL, BJM, CEBA, CEBB, CECA, CECB	2.5	2006.04 -		4116.87D1
DERBY (86, 86C, 80)					
0.9	HA	0.9	1977.02 - 1981.09		3091.92D
1.0	GL, HZ	1.0	1981.10 - 1984.12 1981.08 - 1984.12	GL HZ	3091.92D 4264.84D
1.1	HB	1.1	1977.02 - 1983.07		3091.92D
1.3	GK, HH, HJ, HK, HW	1.3	1977.02 - 1984.12		3091.92D
EOS					
2.0 FSI	BVY, BVZ	2.0	2006.03 - 2008.05		411186.87D ▲
2.0 TDI	BMM, CFFA	2.0	2008.05 - 2006.06 - 2008.05		410845.87D ▲ 4820.87D
2.0 TDI 16V	CBAB, CFFB	2.0	2008.05 - 2009.07	CBAB	3472.87D
2.0 TFSI	BPY, BWA, CAWB, CBFA, CCTA, CCZA	2.0	2006.03 -	BPY, BWA	411187.87D ▲
3.2 V6	BUB, CBRA	3.2	2006.06 -		4455.80D
FOX (5Z1, 5Z3)					
1.4	BKR	1.4	2005.04 - 2005.04 -	mit Gehäuse	3143.87D 410475.87D ▲
1.4 TDI	BNM	1.4	2005.04 -		4264.87D
1.9 D	ASY	1.9	2007.12 -		4264.87D
GOLF I (17)					
1.1	FA, FJ, GG, HC	1.1	1974.04 - 1983.07		3091.92D
1.3	GF, GS	1.3	1979.08 - 1983.12		3091.92D
1.5	FH, JB	1.5	1974.04 - 1975.12 1977.08 - 1983.07	FH JB	4256.80D 4264.87D
1.5 D	CK	1.5	1976.08 - 1980.07		4256.80D
1.6	EM, EW, FN, FP, FT, HN	1.6	1975.08 - 1984.02 1983.01 - 1984.02	EM, FN, FP, FT EW, HN	4256.80D 4264.87D



Thermostate
Thermostats
Thermostats

VOLKSWAGEN	Motor Engine Moteur	Ltr. Ltr. Ltr.	Jahr Year Année	Einschränkung Restriction* Restriction*	Thermostat Thermostat Thermostat
1.6 D	CR, JK	1.6	1980.08 - 1983.07		4264.87D
1.6 GTI	EG	1.6	1976.08 - 1982.07		4256.80D
1.6 TD	CY	1.6	1982.03 - 1985.07		4264.87D
1.8 GTI	DX, JJ	1.8	1982.08 - 1983.12		4264.87D
GOLF I Cabriolet (155)					
1.3	HK	1.3	1983.08 - 1986.07		3091.92D
1.5	JB	1.5	1979.01 - 1983.11		4264.87D
1.6	EG, EW, HN, RE	1.6	1979.08 - 1992.04		4264.87D
1.8	2H, DX, EV, EX, JH, PB	1.8	1982.08 - 1993.04		4264.87D
GOLF II (19E, 1G1)					
1.0	GN, HZ	1.0	1983.11 - 1985.08 1985.08 - 1991.10	GN HZ	3091.92D 4264.84D
1.3	2G, GT, HK, MH, NU, NZ	1.3	1983.08 - 1987.06 1983.08 - 1992.12	HK, GT MH, 2G, NZ, NU	3091.92D 4264.84D
1.6	ABN, EZ, HM, PN, RF	1.6	1983.08 - 1992.12		4264.87D
1.6 D	JP, ME	1.6	1983.08 - 1991.10		4264.87D
1.6 TD	1V, JR, MF, RA, SB	1.6	1983.08 - 1991.10		4264.87D
1.8	1P, GU, GX, HV, RH	1.8	1984.08 - 1991.10		4264.87D
1.8 GTI	DX, EV, GZ, HT, PB, PF, RD, RV	1.8	1983.08 - 1991.10		4264.87D
1.8 GTI 16V	KR, PL	1.8	1986.02 - 1991.10		4264.87D
1.8 GTI G60	1H, PG	1.8	1988.08 - 1991.07		4264.87D
1.8 i	GX, RP	1.8	1987.08 - 1991.10		4264.87D
2.0		2.0	1985.08 - 1992.07		4264.87D
GOLF III (1H1, 1H5)					
1.3	2G	1.3	1991.08 - 1992.07		4264.87D
1.4	ABD, AEX, APQ	1.4	1991.10 - 1999.04 1991.10 - 1999.04 1991.10 - 1999.04	AEX AEX mit Gehäuse ABD	3143.87D 410989.87D ▲ 4264.84D
1.6	ABU, AEA, AEE, AEK, AFT, AKS	1.6	1992.09 - 1997.12 1992.09 - 1997.12 1992.09 - 1997.12 1992.09 - 1999.04	AEE AEE mit Gehäuse ABU AEA, AEK, AFT, AKS	3143.87D 410989.87D ▲ 4264.84D 4264.87D
1.8	AAM, ABS, ACC, ADZ, ANN, ANP	1.8	1991.11 - 1999.04		4264.87D
1.9 D	1Y	1.9	1991.11 - 1999.04		4253.87D
1.9 SDI	AEY	1.9	1995.07 - 1999.04		4253.87D
1.9 TD	AAZ	1.9	1993.07 - 1999.04		4253.87D
1.9 TD, GTD	AAZ	1.9	1991.11 - 1997.08		4253.87D
1.9 TDI	1Z, AFN, AHU, ALE	1.9	1993.09 - 1999.04		4253.87D
2.0	2E, ABA, ADY, AEP, AGG, AKR	2.0	1991.11 - 1999.04		4264.87D
2.0 GTI 16V	ABF	2.0	1992.08 - 1997.08		4264.84D
2.8 VR6	AAA	2.8	1992.01 - 1997.09		4123.80D
2.9 VR6	ABV	2.9	1994.10 - 1999.04		4123.80D
GOLF III Cabriolet (1E7)					
1.6	AEK, AFT, AKS	1.6	1994.10 - 1998.05		4264.87D
1.8	AAM, ABS, ADZ	1.8	1993.07 - 1998.05		4264.87D
1.9 TDI	1Z, AFN, AHU, ALE	1.9	1995.08 - 1998.05		4253.87D
2.0	2E, ADY, AGG, AKR	2.0	1993.07 - 1998.05		4264.87D
GOLF IV (1J1, 1J5)					
1.4 16V	AHW, AKQ, APE, AXP, BCA	1.4	1997.08 - 2006.06 1997.08 - 2006.06	mit Gehäuse	3143.87D 410989.87D ▲
1.6	AEH, AKL, APF	1.6	1997.08 - 2000.02	AEH, AKL	3141.87D

Thermostate
Thermostats
Thermostats



VOLKSWAGEN

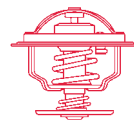
	Motor Engine Moteur	Ltr. Ltr. Ltr.	Jahr Year Année	Einschränkung Restriction* Restriction*	Thermostat Thermostat Thermostat
1.6 16V	ATN, AUS, AZD, BCB	1.6	2000.02 - 2006.06 2000.02 - 2006.06	mit Gehäuse	3143.87D 410989.87D ▲
1.8	AGN, BAF	1.8	1997.08 - 2006.06	AGN	3141.87D
1.8 T	AGU, AQA, ARZ, AUM, AWD	1.8	1997.08 - 2006.06		3141.87D
1.8 T GTI	AUQ	1.8	2001.08 - 2005.06		3141.87D
1.9 SDI	AGP, AQM	1.9	1997.08 - 2006.06		4264.87D
1.9 TD	AAZ	1.9	1997.10 - 1999.09		4253.87D
1.9 TDI	AGR, AHF, AJM, ALH, ARL, ASV, ASZ, ATD, AUY, AXR	1.9	1997.08 - 2006.06		4264.87D
1.9 TDi Gti	ARL	1.9	2001.06 - 2006.06		4264.87D
2.0	APK, AQY, AZG, AZH, AZJ	2.0	1998.07 - 2006.06		3141.87D
2.0 Bi-Fuel	BEH	2.0	2002.02 - 2006.06		3141.87D
2.3 V5	AGZ, AQN	2.3	1997.08 - 2006.06 1997.08 - 2006.06 2000.10 - 2006.06	Chassis No →1J-X-800 000 Chassis No 1J-Y-000 001→ →1J-2-799 999 Chassis No 1J-3-000 001→	4264.87D 4123.80D 4455.80D
2.8 V6	AQP, AUE, BDE	2.8	1999.03 - 2006.06 1999.03 - 2006.06	Chassis No →1J-2-799 999 Chassis No 1J-3-000 001→	4123.80D 4455.80D
3.2 R32	BFH, BML	3.2	2002.09 - 2005.06		4455.80D
GOLF IV Cabriolet (1E7)					
1.6	AFT, AKS	1.6	1998.06 - 2002.06		4264.87D
1.8	AAM, ADZ, ANN, ANP	1.8	1998.06 - 2002.06		4264.87D
1.9 TDI	AFN, AHU, ALE, AVG	1.9	1998.06 - 2002.06		4264.87D
2.0	AGG, AKR, ATU, AWF, AWG	2.0	1998.06 - 2002.06		4264.87D
GOLF V / PLUS					
1.4	BUD	1.4	2007.06 - 2007.06 -	mit Gehäuse	3143.87D 410475.87D ▲
1.4 16V	BCA, BUD, CGGA	1.4	2003.10 - 2006.05 - 2003.10 -	BCA, BUD, CGGA BUD, CGGA mit Gehäuse BCA mit Gehäuse	3143.87D 410475.87D ▲ 410989.87D ▲
1.6	BGU, BSE, BSF, CCSA, CMXA	1.6	2004.01 -		3141.87D
1.6 BiFuel	CHGA	1.6	2009.05 -		3141.87D
1.6 MultiFuel	CCSA, CHGA	1.6	2007.10 -		3141.87D
1.6 TDI	CAYB, CAYC	1.6	2009.02 - 2010.05 2009.02 - 2010.05 2010.06 -	mit Gehäuse ohne Gehäuse	410536.92D ▲ 410537.92D ▲ 410845.92D ▲
1.9 TDI	BKC, BLS, BRU, BXE, BXF, BXJ	1.9	2003.10 - 2009.01 2003.10 - 2009.01	BKC, BXE, BRU, BXF BLS, BXJ	4264.87D 4820.87D
2.0	BWA, CAWB, CCTA	2.0	2007.06 -	BWA	411187.87D ▲
2.0 FSI	AXW, BLR, BLX, BLY, BVX, BVY, BVZ	2.0	2004.01 - 2008.06	BVY, BVZ	411186.87D ▲
2.0 GTI	AXX, BPY, BWA, CAWB, CBFA, CCTA	2.0	2004.10 -	AXX, BPY, BWA	411187.87D ▲
2.0 SDI	BDK	2.0	2004.01 -		4264.87D
2.0 TDI	AZV, BEE, BMM, BMN, CBDA, CBDC, CFHB, CLCA	2.0	2003.10 - 2009.07 2005.05 - 2004.08 - 2009.05	AZV, CBDA, CBDC CFHB, CLCA BMM	3472.87D 410845.87D ▲ 4820.87D
2.0 TDI 16V	BKD, CBDB, CFHC	2.0	2003.10 - 2009.07 2005.01 -	BKD, CBDB CFHC	3472.87D 410845.87D ▲



Thermostate
Thermostats
Thermostats

VOLKSWAGEN	Motor Engine Moteur	Ltr. Ltr. Ltr.	Jahr Year Année	Einschränkung Restriction* Restriction*	Thermostat Thermostat Thermostat
3.2 R32	BUB, CBR, CBRA	3.2	2005.11 -	BUB	4455.80D
GOLF VI					
1.4	BUD, CGGA	1.4	2008.10 - 2008.10 -	mit Gehäuse	3143.87D 410475.87D ▲
1.6	BSE, BSF, CCSA, CMXA	1.6	2008.10 -		3141.87D
1.6 BiFuel	CHGA	1.6	2009.03 -		3141.87D
1.6 MultiFuel	CCSA, CMXA	1.6	2008.10 -		3141.87D
1.6 TDI	CAYB, CAYC	1.6	2009.02 - 2010.05 2009.02 - 2010.05 2010.06 -	mit Gehäuse ohne Gehäuse	410536.92D ▲ 410537.92D ▲ 410845.92D ▲
2.0 TDI	CBAA, CBAB, CBBB, CBDA, CBDC, CFFA, CFFB, CFGB, CFHB, CJAA, CLCA	2.0	2008.10 - 2009.07 2008.10 -	CBAB, CBDC, CBBB, CBAA CFFB, CLCA, CFGB, CFFA, CFHB	3472.87D 410845.87D ▲
2.0 TDI 16V	CBDB, CFHC	2.0	2009.07 -	CFHC	410845.87D ▲
ILTIS					
1.6 TD	1C	1.6	1987.08 - 1988.12		4253.87D
1.7	WL, YX	1.7	1979.03 - 1988.12		4264.87D
JETTA I (16)					
1.1	FA, GG	1.1	1978.08 - 1984.02		3091.92D
1.3	GF, GS	1.3	1979.08 - 1984.02		3091.92D
1.5	JB	1.5	1978.08 - 1984.02		4264.87D
1.5 D	CK	1.5	1978.08 - 1980.07		4264.87D
1.6	EM, FR	1.6	1981.08 - 1983.07 1978.08 - 1984.02		4256.80D 4264.87D
1.6 D	CR, JK	1.6	1980.08 - 1984.02		4264.87D
1.6 GLI	EG	1.6	1978.08 - 1982.07		4264.87D
1.6 TD	CY	1.6	1982.03 - 1984.02		4264.87D
1.8	DX, JJ	1.8	1982.08 - 1984.02		4264.87D
JETTA II					
1.3	2G, GT, HK, MH, NZ	1.3	1984.01 - 1987.06 1984.01 - 1991.12	HK, GT MH, 2G, NZ	3091.92D 4264.84D
1.6	ABN, EZ, HM, PN, RF	1.6	1984.01 - 1992.07		4264.87D
1.6 D	JP, ME	1.6	1984.01 - 1991.10		4264.87D
1.6 TD	1V, JR, MF, RA, SB	1.6	1984.01 - 1991.10		4264.87D
1.8	1P, EV, GU, GX, GZ, HV, PB, PF, RD, RH, RP	1.8	1984.01 - 1991.10		4264.87D
1.8 16V	KR, PL	1.8	1986.08 - 1991.10		4264.87D
JETTA III (1K2)					
1.6	BSE, BSF, CCSA	1.6	2005.10 -		3141.87D
1.6 MultiFuel	CCSA	1.6	2008.01 -		3141.87D
1.6 TDI	CAYC	1.6	2009.06 - 2010.05 2009.06 - 2010.05	mit Gehäuse ohne Gehäuse	410536.92D ▲ 410537.92D ▲
1.9 TDI	BKC, BLS, BXE	1.9	2005.08 - 2005.08 -	BKC, BXE BLS	4264.87D 4820.87D
2.0 FSI	BLR, BLY, BVY, BVZ	2.0	2005.08 -	BVY, BVZ	411186.87D ▲
2.0 TDI	AZV, BMM, BMN, CBDA, CEGA	2.0	2005.09 - 2009.07 2005.10 -	AZV, CBDA BMM, BMN	3472.87D 4820.87D
2.0 TDI 16V	BKD, CBDB, CJAA	2.0	2005.08 -	BKD	3472.87D
2.0 TFSI	BPY, BWA, CAWB, CBFA, CCTA, CCZA	2.0	2005.10 -	BPY, BWA	411187.87D ▲

Thermostate
Thermostats
Thermostats



VOLKSWAGEN

	Motor Engine Moteur	Ltr. Ltr. Ltr.	Jahr Year Année	Einschränkung Restriction* Restriction*	Thermostat Thermostat Thermostat
JETTA IV (162)					
1.6 TDI	CAYC	1.6	2011.02 - 2011.02 -	mit Gehäuse ohne Gehäuse	410536.92D ▲ 410537.92D ▲
2.0 TDI	CFFB, CFHC, CJAA, CLCA, CLCB	2.0	2010.10 -	CFHC, CFFB	410845.87D ▲
LT 28 - 55					
2.0	CH	2.0	1975.04 - 1983.09		4006.82D
2.3	AGL	2.3	1996.05 - 2006.07		4275.87D
2.4	DL	2.4	1982.12 - 1992.07		4123.80D
2.4 D	1S, ACT, CP, DW	2.4	1978.12 - 1996.06	DW, 1S, ACT	4123.80D
2.4 i	1E	2.4	1989.08 - 1996.06		4123.80D
2.4 TD	1G, ACL, DV	2.4	1978.08 - 1996.06		4123.80D
2.5 SDI	AGX	2.5	1996.07 - 2006.07		4116.87D1
2.5 TDI	AHD, ANJ, APA, AVR, BBE, BBF	2.5	1996.05 - 2006.07		4116.87D1
2.7 D	CG	2.7	1975.11 - 1980.01		4006.82D
2.8 TDI	AGK, ATA, AUH, BCQ	2.8	1997.06 - 2006.07		3145.79D
LUPO					
1.0	AER, ALD, ALL, ANV, AUC	1.0	1998.09 - 2005.07 1998.09 - 2005.07	mit Gehäuse	3143.87D 410989.87D ▲
1.2 TDI 3L	ANY, AYZ	1.2	1999.07 - 2005.07		4264.87D
1.4	AUD	1.4	2000.10 - 2005.07 2000.10 - 2005.07	mit Gehäuse	3143.87D 410989.87D ▲
1.4 16V	AFK, AHW, AKQ, APE, AQQ, AUA, AUB, BBY	1.4	1998.09 - 2005.07 1998.09 - 2005.07	mit Gehäuse	3143.87D 410989.87D ▲
1.4 TDI	AMF	1.4	1999.01 - 2005.07		4264.87D
1.6 GTI	AVY	1.6	2000.09 - 2005.07	mit Gehäuse	410475.80D ▲
1.7 SDI	AKU	1.7	1998.09 - 2005.07		4264.87D
MULTIVAN T5					
1.9 TDI	AXB, BRS	1.9	2003.04 - 2009.11		4264.87D
2.0	AXA	2.0	2003.11 -		3141.87D
2.5 TDI	AXD, AXE, BNZ, BPC	2.5	2003.04 - 2009.11		4430.87D ▲
3.2	BDL	3.2	2003.11 - 2006.06		4455.80D
3.2 V6	BDL, BKK, CFLA	3.2	2004.02 - 2009.11	BKK	4455.80D
NEW BEETLE					
1.4	BCA	1.4	2001.11 - 2001.11 -	mit Gehäuse	3143.87D 410475.87D ▲
1.6	AWH, AYD, BFS	1.6	1999.10 - 2000.09		3141.87D
1.8 T	AGU, APH, AVC, AWP, AWU, AWV, BKF, BNU	1.8	1999.10 - 2005.06		3141.87D
1.9 TDI	ALH, ATD, AXR, BEW, BSW	1.9	1998.01 - 2004.06		4264.87D
2.0	AEG, APK, AQY, AVH, AZG, AZJ, BDC, BEJ, BER, BEV, BGD, BHP, CBPA	2.0	1998.01 -		3141.87D
2.3 V5	AQN	2.3	2000.10 -		4123.80D
2.5	BPR, BPS	2.5	2005.07 -		4488.80D0 ▲
PARATI					
1.0	ASW, AZP	1.0	2002.08 -		4264.87D
1.6	BJF	1.6	2002.08 - 2005.07 2002.08 - 2005.07		4256.80D 4264.87D
1.8	UDH	1.8	2002.08 - 2002.08 -		4256.80D 4264.87D
1.9 D	1Y	1.9	2002.08 -	BGG, 1Y	4264.87D
1.9 SDI	BGG	1.9	2002.08 -		4264.87D
2.0		2.0	2003.07 -	UQG	4264.87D

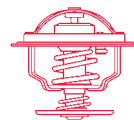


Thermostate
Thermostats
Thermostats

VOLKSWAGEN

	Motor Engine Moteur	Ltr. Ltr. Ltr.	Jahr Year Année	Einschränkung Restriction* Restriction*	Thermostat Thermostat Thermostat
PASSAT (32/33)					
1.3	FY, ZA, ZF	1.3	1973.05 - 1980.07 1973.05 - 1978.01 1973.05 - 1978.01	FY ZF ZA	3091.92D 4256.80D 4264.87D
1.5	YJ, ZB, ZC	1.5	1973.05 - 1975.12		4256.80D
1.5 D	CK	1.5	1977.02 - 1980.07		4256.80D
1.6	FS, YN, YP	1.6	1975.08 - 1980.07 1975.08 - 1980.07	Chassis No →328 2300 000 Chassis No 328 2000 001→	4256.80D 4264.87D
1.6 D	CR	1.6	1979.02 - 1980.07		4264.87D
1.6 i	YS	1.6	1978.06 - 1980.07		4264.87D
PASSAT (32B)					
1.3	EP, EU, FY, FZ	1.3	1980.08 - 1986.07 1980.08 - 1986.07	FY, FZ EU, EP	3091.92D 4264.87D
1.6	DT, PP, RL, WV, YN, YP	1.6	1980.08 - 1988.03		4264.87D
1.6 D	CR, JK	1.6	1980.08 - 1988.03		4253.87D
1.6 TD	CY, RA	1.6	1982.04 - 1988.03		4253.87D
1.8	DS, DZ, JN, JV, RM	1.8	1983.01 - 1988.03		4264.87D
1.9	WN	1.9	1981.01 - 1983.07		4116.87D1
2.0	HP, JS	2.0	1983.08 - 1988.03		4116.87D1
2.1	WE	2.1	1981.01 - 1983.07		4116.87D1
2.2	JT, KV, KX	2.2	1985.01 - 1988.03		4116.87D1
PASSAT (35I, 3A2, 3A5)					
1.6	1F, ABN, AEK, AFT, EZ	1.6	1988.02 - 1996.08		4264.87D
1.6 TD	RA, SB	1.6	1988.08 - 1993.09		4253.87D
1.8	AAM, ABS, ADZ, KR, PB, PF, RP	1.8	1988.02 - 1997.05		4264.87D
1.8 16V	KR	1.8	1988.04 - 1989.12		4264.87D
1.8 G60	PG	1.8	1988.08 - 1997.05		4264.87D
1.8 GL	KR	1.8	1991.08 - 1993.09		4264.87D
1.9 D	1Y	1.9	1989.05 - 1993.10		4253.87D
1.9 TD	AAZ	1.9	1991.03 - 1997.05		4253.87D
1.9 TDI	1Z, AFN, AHU	1.9	1993.10 - 1997.05		4253.87D
2.0	2E, ADY, AEP, AGG	2.0	1988.04 - 1997.05		4264.87D
2.0 16V	9A, ABF	2.0	1994.01 - 1997.05 1988.08 - 1993.09	ABF 9A	4264.84D 4264.87D
2.8 VR6	AAA	2.8	1991.06 - 1997.05		4123.80D
2.9 VR6	ABV	2.9	1994.01 - 1997.05		4123.80D
PASSAT (3B2, 3B5)					
1.6	ADP, AHL, ANA, ARM	1.6	1996.10 - 2000.11		3141.87D
1.8	ADR, AFY, APT, ARG	1.8	1996.10 - 2000.11		3141.87D
1.8 T	AEB, ANB, APU	1.8	1996.10 - 2000.11		3141.87D
1.9 TDI	AFN, AHH, AHU, AJM, ATJ, AVB, AVG	1.9	1996.10 - 2000.11		4264.87D
2.3 VR5	AGZ	2.3	1996.10 - 2000.11		4264.87D
2.5 TDI	AFB, AKN	2.5	1998.07 - 2000.11		4274.87D
2.8	AGE	2.8	1997.05 - 1999.09 1997.05 - 1999.09	Chassis No →3B-X-500 000 Chassis No 3B-X-500 001→	4274.87D 4274.92D
2.8 V6	ACK, AGE, ALG, APR, AQD, ATX	2.8	1996.08 - 2000.11 1997.05 - 2000.11 1997.05 - 2000.11	Chassis No →3B-X-500 000 Chassis No 3B-X-500 001→ ATX	4274.87D 4274.92D 4274.92D

Thermostate
Thermostats
Thermostats



VOLKSWAGEN

	Motor Engine Moteur	Ltr. Ltr. Ltr.	Jahr Year Année	Einschränkung Restriction* Restriction*	Thermostat Thermostat Thermostat
PASSAT (3B3, 3B6)					
1.6	ALZ	1.6	2000.11 - 2005.05		3141.87D
1.8 T	AWM	1.8	2001.02 - 2005.08		3141.87D
1.8 T 20V	AWL, AWT	1.8	2000.11 - 2005.05	AWT	3141.87D
1.9 TDI	AVB, AVF, AWX	1.9	2000.11 - 2005.05		4264.87D
2.0	AZM, BFF	2.0	2000.11 - 2005.05	AZM	3141.87D
2.0 TDI	BGW, BHW	2.0	2003.12 - 2005.05		4264.87D
2.3 V5	AZX	2.3	2000.11 - 2005.05		4123.80D
2.3 VR5	AZX	2.3	2000.11 - 2005.05		4123.80D
2.5 TDI	AFB, AKN, BAU, BDG, BDH	2.5	2000.11 - 2005.05		4274.87D
2.8	AMX, ATQ	2.8	2000.11 - 2005.05		4274.92D
PASSAT (3C2, 3C5)					
1.6	BSE, BSF	1.6	2005.05 -		3141.87D
1.6 TDI	CAYC	1.6	2009.08 - 2010.11	mit Gehäuse	410536.92D ▲
			2009.08 - 2010.11	ohne Gehäuse	410537.92D ▲
			2010.12 -		410845.92D ▲
1.9 TDI	BKC, BLS, BXE	1.9	2005.03 -	BKC, BXE	4264.87D
			2005.03 -	BLS	4820.87D
2.0 FSI	AXX, BLR, BLX, BLY, BPY, BVX, BVY, BVZ, BWA, CAWB, CBFA, CCTA, CCZA	2.0	2005.07 -	AXX, BPY, BWA	411187.87D ▲
			2005.03 -	BVY, BVZ, BLX, BVX	411186.87D ▲
				Chassis No 3C-6-160 001→	
2.0 TDI	BMA, BMP, BMR, BUZ, BVE, BWV, CBAA, CBBB, CBDG	2.0	2005.03 - 2009.07	BMR, BVE, BMA, CBAA, 07.2009, BWV	3472.87D
			2005.03 -	BMP	4820.87D
2.0 TDI 16V	BKP, CBAB	2.0	2005.03 - 2009.07	BKP, CBAB	3472.87D
PASSAT (362, 365)					
1.6 TDI	CAYC	1.6	2010.08 - 2010.11	mit Gehäuse	410536.92D ▲
			2010.08 - 2010.11	ohne Gehäuse	410537.92D ▲
			2010.12 -		410845.92D ▲
2.0 TDI	CFFB, CFGB, CLLA	2.0	2010.08 -		410845.87D ▲
PASSAT CC					
2.0 TDI	CBAA, CBAB, CBBB, CFFB, CFGB	2.0	2008.06 - 2009.07	CBAB, CBBB	3472.87D
			2008.06 -	CFFB, CFGB	410845.87D ▲
PHAETON					
3.2 V6	AYT, BKL, BRK	3.2	2002.04 -		4455.80D
5.0 V10 TDI	AJS	5.0	2002.11 -		4572.105D ▲
POLO (80, 86, 86C) 1975-->1994					
0.8	HE	0.8	1975.09 - 1981.09		3091.92D
0.9	HA	0.9	1975.09 - 1981.12		3091.92D
1.0	AAK, AAU, ACM, GL, HZ	1.0	1981.10 - 1986.10		3091.92D
			1985.01 - 1994.09		4264.84D
1.1	HB, HC	1.1	1975.03 - 1989.09		3091.92D
1.3	2G, 3F, AAV, GK, GT, HH, HJ, HK, HW, MH, NZ	1.3	1976.12 - 1989.09	HH, HK, GK, GT, HJ, HW	3091.92D
			1983.08 - 1994.09	2G, AAV, NZ, MH, 3F	4264.84D
1.3 D	MN	1.3	1986.08 - 1990.08		4264.84D
1.3 G40	PY	1.3	1987.01 - 1994.09		4264.84D
1.4 D	1W	1.4	1990.08 - 1994.09		4264.84D

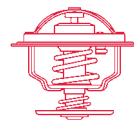


Thermostate
Thermostats
Thermostat

VOLKSWAGEN

	Motor Engine Moteur	Ltr. Ltr. Ltr.	Jahr Year Année	Einschränkung Restriction* Restriction*	Thermostat Thermostat Thermostat
POLO (6N_) 1994-->1999					
1.0	AAU	1.0	1994.10 - 1999.12		4264.84D
1.4	AEX, APQ	1.4	1998.05 - 1999.12 1998.05 - 1999.12	mit Gehäuse	3143.87D 410989.87D ▲
1.7 SDI	AHG, AKU	1.7	1997.04 - 1999.12		4264.87D
1.9 D	AEF	1.9	1994.10 - 1999.12		4264.87D
1.9 SDI	AGD	1.9	1996.07 - 1999.12		4264.87D
100 1.4 16V	AFH	1.4	1996.04 - 1999.10 1996.04 - 1999.10	mit Gehäuse	3143.87D 410989.87D ▲
120 1.6 16V GTI	AJV	1.6	1998.09 - 1999.10	mit Gehäuse	410989.80D ▲
45 1.0	AEV	1.0	1994.10 - 1996.09		4253.87D
50 1.0	AER, ALL	1.0	1996.09 - 1999.10 1996.09 - 1999.10	mit Gehäuse	3143.87D 410989.87D ▲
55 1.3	ADX	1.3	1994.10 - 1995.07		4253.87D
55 1.4	AEX	1.4	1995.08 - 1999.10 1995.08 - 1999.10	mit Gehäuse	3143.87D 410989.87D ▲
60 1.4	AEX, AKV, APQ	1.4	1995.07 - 1999.10 1995.07 - 1999.10	mit Gehäuse	3143.87D 410989.87D ▲
60 1.7 SDI	AKU	1.7	1997.08 - 1999.10		4264.87D
64 1.9 D	AEF	1.9	1994.10 - 1999.10		4264.87D
64 1.9 SDI	AGD	1.9	1996.07 - 1999.10		4264.87D
75 1.6	AEA, AEE, AHS	1.6	1994.10 - 1999.10 1994.10 - 1999.10 1994.10 - 1999.10	AEE, AHS AEE, AHS mit Gehäuse AEA	3143.87D 410989.87D ▲ 4264.87D
POLO (6KV2, 6KV5, 6N2) 1999-->2002					
1.0	ALD, AUC	1.0	1999.10 - 2001.09 1999.10 - 2001.09	mit Gehäuse	3143.87D 410989.87D ▲
1.4	AEX, AKK, AKP, AKV, ANW, ANX, APQ, AUD	1.4	1997.05 - 2001.09 1997.05 - 2001.09	mit Gehäuse	3143.87D 410989.87D ▲
1.4 16V	AFK, AHW, APE, AQQ, AUA, AUB	1.4	1999.10 - 2001.09 1999.10 - 2001.09	mit Gehäuse	3143.87D 410989.87D ▲
1.4 TDI	AMF	1.4	1999.10 - 2001.09		4264.87D
1.6	AEE, AEH, AFT, AKL, ALM, APF, AUR	1.6	1997.05 - 2001.09 1997.05 - 2001.09 1997.05 - 2001.09 1997.05 - 2001.09	AEH, AKL, APF, AUR ALM, AEE ALM, AEE mit Gehäuse AFT	3141.87D 3143.87D 410989.87D ▲ 4264.87D
1.6 16V GTI	ARC, AVY	1.6	1999.10 - 2001.09	mit Gehäuse	410989.80D ▲
1.7 SDI	AKU, AKW	1.7	1997.08 - 2001.09		4264.87D
1.8	ADZ	1.8	1997.05 - 2001.09		4264.87D
1.9 D	AEF	1.9	1999.10 - 2001.09		4264.87D
1.9 SDI	AEY, AGD, AGP, AQM, ASX	1.9	1997.06 - 2001.09		4264.87D
1.9 TDI	AFN, AGR, AHU, ALE, ALH, ASV	1.9	1997.05 - 2001.09		4264.87D
100 1.6	AEH, AFT, AKL, APF, AUR	1.6	1995.12 - 2001.09 1995.12 - 2001.09	AEH, AKL, APF, AUR AFT	3141.87D 4264.87D
110 1.9 TDI	AFN, ASV	1.9	1998.06 - 2001.09		4264.87D
2.0	ADC	2.0	1999.08 - 2001.09		4264.87D
54 1.4	ANX	1.4	1998.01 - 1999.08 1998.01 - 1999.08	mit Gehäuse	3143.87D 410989.87D ▲
57 1.7 SDI	AKW	1.7	1997.07 - 2001.09		4264.87D
60 1.4	AEX, AKK, AKV, ANW, APQ, AUD	1.4	1995.12 - 2001.09 1995.12 - 2001.09	mit Gehäuse	3143.87D 410989.87D ▲
64 1.9 D	1Y	1.9	1996.01 - 1996.10		4264.87D
64 1.9 SDI	AEY	1.9	1995.12 - 1999.08		4264.87D

Thermostate
Thermostats
Thermostats



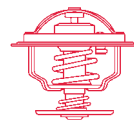
VOLKSWAGEN	Motor Engine Moteur	Ltr. Ltr. Ltr.	Jahr Year Année	Einschränkung Restriction* Restriction*	Thermostat Thermostat Thermostat
68 1.9 SDI	AGP, AQM	1.9	1999.08 - 2001.09		4264.87D
75 1.4 16V	APE, AUA	1.4	1999.10 - 2001.09		3143.87D
			1999.10 - 2001.09	mit Gehäuse	410989.87D ▲
75 1.6	1F, AEE, ALM	1.6	1995.11 - 2001.09	AEE, ALM	3143.87D
			1995.11 - 2001.09	AEE, ALM mit Gehäuse	410989.87D ▲
			1995.11 - 1997.09	1F	4264.87D
90 1.8	ADD	1.8	1997.01 - 2001.09		4264.87D
90 1.9 TDI	AGR, AHU, ALE, ALH	1.9	1996.09 - 2001.09		4264.87D
POLO (9_) 2001-->2010					
1.4	BBY, BBZ, BKY	1.4	2003.07 - 2003.07 - 2003.07 -	ITW HENSCHEL HIMMERMANN mit Gehäuse	3143.87D 3167.83D ▲ 410475.87D ▲
1.4 16V	AUA, AUB, BBY, BBZ, BKY, BUD	1.4	2001.10 - 2008.05 2001.10 - 2008.05 2001.10 - 2008.05	ITW HENSCHEL HIMMERMANN BBY, BKY, BBZ, BUD mit Gehäuse	3143.87D 3167.83D ▲ 410475.87D ▲
			2001.10 - 2008.05	AUA, AUB mit Gehäuse	410989.87D ▲
1.4 TDI	AMF, BAY, BMS, BNM, BNV, BWB	1.4	2001.10 - 2005.06		4264.87D
1.8 GTI	BJX	1.8	2005.09 -		3141.87D
1.8 GTi Cup Edition	BBU	1.8	2006.05 -		3141.87D
1.9 SDI	ASY	1.9	2001.10 -		4264.87D
1.9 TDi	ASZ, ATD, AXR, BLT, BMT	1.9	2001.10 -	ATD, AXR, ASZ, BLT	4264.87D
			2001.10 -	BMT	4820.87D
POLO (6R_) 2009-->					
1.4	CGGB	1.4	2009.06 - 2009.06 - 2009.06 -	ITW HENSCHEL HIMMERMANN mit Gehäuse	3143.87D 3167.83D ▲ 410475.87D ▲
1.6 TDI	CAYA, CAYB, CAYC	1.6	2009.06 - 2010.05 2009.06 - 2010.05 2010.06 -	mit Gehäuse ohne Gehäuse	410536.92D ▲ 410537.92D ▲ 410845.92D ▲
SANTANA (32B)					
1.3	EP, FZ	1.3	1981.08 - 1983.07 1984.08 - 1985.12		3091.92D 4264.87D
1.6	DT, WV, YP	1.6	1981.08 - 1984.12		4264.87D
1.6 D	CR, JK	1.6	1981.08 - 1984.12		4253.87D
1.6 TD	CY	1.6	1981.12 - 1984.12		4253.87D
1.8	DS	1.8	1983.01 - 1984.12		4264.87D
1.9	WN	1.9	1981.08 - 1983.07		4116.87D1
2.0	HP, JS	2.0	1983.08 - 1984.12		4116.87D1
2.1	WE	2.1	1982.08 - 1983.12		4116.87D1
SAVEIRO					
1.6	BJF	1.6	2002.03 - 2002.03 -		4256.80D 4264.87D
1.8	UDH	1.8	2002.03 - 2002.03 -		4256.80D 4264.87D
2.0		2.0	2002.03 -		4264.87D
SCIROCCO (53, 53B)					
1.1	FA	1.1	1974.04 - 1979.07		3091.92D
1.3	GF	1.3	1979.08 - 1983.12		3091.92D



Thermostate
Thermostats
Thermostats

VOLKSWAGEN	Motor Engine Moteur	Ltr. Ltr. Ltr.	Jahr Year Année	Einschränkung Restriction* Restriction*	Thermostat Thermostat Thermostat
1.5	FH, JB, YJ, ZB, ZC	1.5	1974.02 - 1977.12 1974.02 - 1983.12		4256.80D 4264.87D
1.6	EG, EW, EWA, FN, FP, FR, FT, RE	1.6	1975.08 - 1979.07 1975.08 - 1990.07		4256.80D 4264.87D
1.8	DX, EV, EX, JH, JJ, PB	1.8	1982.08 - 1992.07		4264.87D
1.8 16V	KR, PL	1.8	1985.10 - 1992.07		4264.87D
SCIROCCO (137)					
2.0 TDI	CBBB, CBDB, CFGB, CFHC	2.0	2008.09 - 2009.07 2008.09 -	CBBB CFHC, CFGB	3472.87D 410845.87D ▲
SHARAN					
1.8 T 20V	AJH, AWC	1.8	1997.09 -		3141.87D
1.9 TDI	1Z, AFN, AHU, ANU, ASZ, AUJ, AVG, BTB, BVK	1.9	1995.09 - 2000.04		4264.87D
2.0	ADY, ATM	2.0	1995.09 -		4264.87D
2.0 TDI	BRT	2.0	2005.11 -		4264.87D
2.8 V6 24V	AYL	2.8	2000.04 - 2000.04 -	Chassis No →7M-3-010-000 Chassis No 7M-3-010-001→	4123.80D 4455.80D
2.8 VR6	AAA, AMY	2.8	1995.09 - 2000.04		4123.80D
SHARAN (7N)					
2.0 TDI	CFFA, CFFB, CFGB	2.0	2010.05 -		410845.87D ▲
TARO					
1.8	2Y	1.8	1989.04 - 1994.09		4103.82D ▲
2.2	4Y	2.2	1989.06 - 1994.07		4103.82D ▲
2.4 D	2L	2.4	1989.04 - 1995.04	Chassis No →7A-SH001 995 →7A-S9501 924	3477.88D
TIGUAN (5N_)					
2.0 TDI	CBAA, CBAB, CBBB, CFFA, CFFB, CFFD, CFGB, CLJA	2.0	2007.09 - 2009.07 2007.09 -	CBBB, CBAB, CBAA CFFB, CLJA, CFGB, CFFA	3472.87D 410845.87D ▲
TOUAREG					
2.5 R5 TDI	BAC, BPE	2.5	2003.01 - 2010.05		4430.87D ▲
3.2 V6	AZZ, BAA, BKJ, BMV, BMX, BRJ	3.2	2002.10 - 2006.11		4455.80D
4.2 V8	AXQ, BHX	4.2	2002.12 - 2006.11	AXQ	4274.82D
5.0 V10 TDI	AYH, BLE, BWF	5.0	2002.10 - 2010.05	AYH, BLE	4572.105D ▲
TOURAN					
1.6	BGU, BSE, BSF	1.6	2003.07 - 2010.05		3141.87D
1.6 TDI	CAYB, CAYC	1.6	2010.05 -		410845.92D ▲
1.9 TDI	AVQ, BKC, BLS, BRU, BXE, BXF, BXJ	1.9	2003.02 - 2003.08 -	BKC, BXE, BRU, BXF BLS, BXJ	4264.87D 4820.87D
2.0 EcoFuel	BSX	2.0	2006.02 - 2009.05		3141.87D
2.0 TDI	AZV, BMM, BMN, CFJA, CLCA	2.0	2003.02 - 2005.12 - 2005.12 -	AZV, BMN CFJA, CLCA BMM	3472.87D 410845.87D ▲ 4820.87D
2.0 TDI 16V	BKD, CFHC	2.0	2003.08 - 2003.08 -	BKD CFHC	3472.87D 410845.87D ▲

Thermostate
Thermostats
Thermostats



VOLKSWAGEN

	Motor Engine Moteur	Ltr. Ltr. Ltr.	Jahr Year Année	Einschränkung Restriction* Restriction*	Thermostat Thermostat Thermostat
TRANSPORTER T3					
1.6 D	CS	1.6	1981.01 - 1987.07		4253.87D
1.6 TD	JX	1.6	1984.08 - 1992.07 1984.10 - 1992.07		4253.87D 4256.80D
1.7 D	KY	1.7	1985.08 - 1992.07 1985.08 - 1992.07		4253.87D 4256.80D
1.9	DF, DG, DH, GW	1.9	1982.08 - 1992.07		4155.87D
2.1	DJ, MV, SR	2.1	1985.08 - 1992.07		4155.87D
2.1 i	SS	2.1	1989.07 - 1992.07		4155.87D
TRANSPORTER T4					
1.8	PD	1.8	1990.12 - 1992.07		4253.87D
1.9 D	1X	1.9	1990.07 - 2003.04		4264.87D
1.9 TD	ABL	1.9	1992.10 - 2003.04		4264.87D
2.0	AAC	2.0	1990.07 - 2003.04		4264.87D
2.4 D	AAB, AJA	2.4	1990.07 - 2003.04 1990.07 - 2003.04		4116.87D1 4123.80D
2.5	AAF, ACU, AEN, AET, AEU, APL, AVT	2.5	1990.11 - 2003.04		4116.87D1
2.5 TDI	ACV, AHY, AJT, AUF, AXG, AXL, AYC, AYY	2.5	1995.09 - 2003.04		4116.87D1
2.8	AES	2.8	1996.01 - 2000.05		4123.80D
2.8 V6	AMV	2.8	2000.04 - 2003.04	Chassis No →70-2-275-000	4123.80D
			2000.04 - 2003.04	Chassis No 70-2-275-001→	4455.80D
2.8 VR 6	AES	2.8	1995.11 - 2000.04		4123.80D
TRANSPORTER T5					
1.9 TDI	AXB, AXC, BRR, BRS	1.9	2003.04 - 2009.11		4264.87D
2.0	AXA	2.0	2003.11 -		3141.87D
2.5 TDI	AXD, AXE, BLJ, BNZ, BPC	2.5	2003.04 - 2009.11		4430.87D ▲
3.2	BDL, BKK, CFLA	3.2	2003.11 - 2009.11	BKK	4455.80D
3.2 V6	BDL, BKK, CFLA	3.2	2003.04 - 2009.11	BKK	4455.80D
VENTO					
1.4	ABD, AEX	1.4	1991.11 - 1998.09 1991.11 - 1998.09	AEX AEX mit Gehäuse	3143.87D 410989.87D ▲
			1991.11 - 1998.09	ABD	4264.84D
1.6	ABU, AEA, AEE, AEK, AFT	1.6	1992.09 - 1998.09 1992.09 - 1998.09	AEE AEE mit Gehäuse	3143.87D 410989.87D ▲
			1992.09 - 1998.09	ABU	4264.84D
			1992.09 - 1998.09	AEA, AEK, AFT	4264.87D
1.8	AAM, ABS, ADZ	1.8	1991.11 - 1998.09		4264.87D
1.9 D	1Y	1.9	1991.11 - 1998.09		4253.87D
1.9 SDI	AEY	1.9	1997.04 - 1998.09		4253.87D
1.9 TD	AAZ	1.9	1991.11 - 1998.09		4253.87D
1.9 TDI	1Z, AFN, AHU, ALE	1.9	1993.09 - 1998.09		4253.87D
2.0	2E, ADY, AEP, AGG, AKR	2.0	1991.11 - 1998.09		4264.87D
2.8 VR6	AAA	2.8	1992.01 - 1998.09		4123.80D



Thermostate
Thermostats
Thermostats

VOLVO

**Motor
Engine
Moteur**

**Ltr.
Ltr.
Ltr.**

**Jahr
Year
Année**

**Einschränkung
Restriction*
Restriction***

**Thermostat
Thermostat
Thermostat**

240

2.0	B 19 A, B 19 ET, B 19 K, B 20 A, B 200 E, B 200 K	2.0	1974.08 - 1993.07		4089.87D
2.1	B 21 A, B 21 E, B 21 F	2.1	1974.08 - 1984.07		4089.87D
2.1 Turbo	B 21 ET	2.1	1980.08 - 1985.07		4089.87D
2.3	B 23 A, B 23 E, B 230 A, B 230 E, B 230 F, B 230 FX, B 230 K	2.3	1978.08 - 1992.07		4089.87D
2.3 i	B 230 F	2.3	1986.08 - 1993.07		4089.87D
2.4 Diesel	D 24	2.4	1978.08 - 1993.08		4116.87D1
2.7 GLT6	B 27 E	2.7	1979.08 - 1980.07		4122.87D

260

2.7	B 27 A, B 27 E, B 27 F	2.7	1974.08 - 1982.07		4122.87D
2.8	B 28 A, B 28 E, B 28 F	2.8	1980.08 - 1982.07		4122.87D

340 / 360

1.4	B 14.3 E, B 14.4 S	1.4	1975.08 - 1988.12		3029.89
1.6 Diesel	D 16	1.6	1984.08 - 1991.07		3470.89D50
1.7	B 17 2 K	1.7	1985.08 - 1991.07		3136.88D50
2.0	B 19 A, B 19 E, B 200 E, B 200 EA, B 200 F, B 200 K	2.0	1980.08 - 1990.07		4089.87D
2.1	B 21 E	2.1	1981.08 - 1982.07		4089.87D

440 / 460 / 480

1.6	B 16 F	1.6	1988.09 - 1996.12		3470.89D50
1.7	B 18 E, B 18 EP, B 18 F, B 18 FP, B 18 KP	1.7	1986.04 - 1996.12		3470.89D50
1.7 Turbo	B 18 FT	1.7	1987.08 - 1996.12		3470.89D50
1.8	B 18 U	1.8	1991.08 - 1996.12		3470.89D50
1.9 Turbo-Diesel	D 19 T	1.9	1994.07 - 1996.12	Chassis No →617193	4147.80D
			1994.07 - 1996.12	Chassis No 617194→	3470.89D50
2.0	B 20 F	2.0	1992.08 - 1996.07		3470.89D50

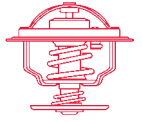
740

2.0	B 19 ET, B 200 E, B 200 ET, B 200 F, B 200 G, B 200 K	2.0	1983.12 - 1992.08		4089.87D
2.0 16V	B 204 E	2.0	1987.09 - 1990.08		4088.87D
2.0 GLE	B 19 E, B 204 E	2.0	1987.09 - 1990.08		4088.87D
			1983.04 - 1984.07		4089.87D
2.0 Turbo	B 200 ET, B 200 FT	2.0	1987.09 - 1991.08		4088.87D
			1985.05 - 1987.08		4089.87D
2.3	B 23 A, B 23 E, B 230 A, B 230 E, B 230 F, B 230 FB, B 230 K, B 234 F	2.3	1983.08 - 1992.08		4089.87D
			1984.08 - 1986.07		4089.92D
2.3 GL	B 230 E	2.3	1984.08 - 1987.08		4089.87D
2.3 GLE		2.3	1984.08 - 1987.08		4089.87D
2.3 Turbo	B 230 ET, B 230 FT, B 230 GT	2.3	1985.08 - 1991.08		4089.87D
2.4 Diesel	D 24	2.4	1984.08 - 1992.07		4116.87D1
2.4 TD	D 24 T, D 24 TIC	2.4	1984.08 - 1990.07		4116.87D1
2.4 TD Interc.	D 24 TIC	2.4	1986.08 - 1988.07		4116.87D1
2.4 Turbo-Diesel	D 24 T	2.4	1985.09 - 1992.07		4116.87D1

760

2.3	B 230 FT	2.3	1988.01 - 1992.07		4089.87D
2.3 Turbo	B 23 ET, B 230 ET, B 230 FT	2.3	1982.08 - 1990.08		4089.87D
2.4 D	D 24	2.4	1982.01 - 1992.07		4088.87D

Thermostate
Thermostats
Thermostats



VOLVO

	Motor Engine Moteur	Ltr. Ltr. Ltr.	Jahr Year Année	Einschränkung Restriction* Restriction*	Thermostat Thermostat Thermostat
2.4 TD Interc.	D 24 TIC	2.4	1987.08 - 1992.07		4116.87D1
2.4 Turbo Diesel	D 24 T	2.4	1982.08 - 1992.07		4116.87D1
2.8	B 28 A, B 28 E, B 280 E, B 280 F	2.8	1981.08 - 1991.08		4122.87D
780					
2.9	B 280 E, B 280 F	2.9	1986.08 - 1990.07		4122.87D
850					
2.0	B 5202 S, B 5204 F	2.0	1991.06 - 1996.12		4272.90D
2.0 Turbo	B 5204 FT, B 5204 T, B 5204 T2	2.0	1993.02 - 1997.10		4272.90D
2.3	B 5234 FS	2.3	1996.01 - 1996.10		4272.90D
2.3 T5	B 5234 FT	2.3	1993.02 - 1996.12		4272.90D
2.3 T5 R	B 5234 T2	2.3	1996.04 - 1996.10		4272.90D
2.3 T5-R	B 5234 T4	2.3	1995.08 - 1996.12		4272.90D
2.3 Turbo R	B 5234 T5	2.3	1995.06 - 1997.10		4272.90D
2.4 GLE	B 5254 T	2.4	1993.09 - 1997.10		4272.90D
2.5	B 5252, B 5252 S, B 5254 S, B 5254 T	2.5	1991.06 - 1996.12		4272.90D
2.5 TDI	D 5252 T	2.5	1995.08 - 1996.12		4116.87D1
940					
2.0	B 200 E, B 200 F, B 200 G, B 200 GT, B 204 E, B 204 FT	2.0	1990.09 - 1995.12 1990.09 - 1997.05		4088.87D 4089.87D
2.0 GL	B 204 E	2.0	1990.09 - 1992.04		4088.87D
2.0 Turbo	B 200 FT	2.0	1990.08 - 1998.10		4089.87D
2.3	B 230 FB, B 230 FD, B 230 G, B 230 GK, B 234 F, B 234 G	2.3	1990.08 - 1998.10		4089.87D
2.3 ti	B 230 FK	2.3	1995.01 - 1998.10		4089.87D
2.3 Turbo	B 230 FT, B 230 FT+	2.3	1990.08 - 1998.10		4089.87D
2.4 D	D 24	2.4	1990.08 - 1995.07		4088.87D
2.4 TD Interc.	D 24 TIC	2.4	1994.08 - 1998.10		4088.87D
2.4 TD Intercooler	D 24 TIC	2.4	1990.08 - 1994.12		4088.87D
2.4 Turbo Diesel	D 24 T	2.4	1990.08 - 1994.12		4088.87D
960					
2.0	B 204 E, B 204 FT	2.0	1990.09 - 1993.08 1990.08 - 1993.09		4088.87D 4089.87D
2.3 Turbo	B 230 FT	2.3	1990.09 - 1993.08		4089.87D
2.4 TD Interc.	D 24 TIC	2.4	1991.09 - 1994.07		4116.87D1
2.5	B 6254 S	2.5	1994.07 - 1996.12		4272.90D
2.8	B 280 E, B 280 F	2.8	1990.09 - 1992.05		4122.87D
2.9	B 6304 F, B 6304 S	2.9	1990.08 - 1996.12		4272.90D
C 30					
2.4 i	B 5244 S4	2.4	2006.10 -		4489.90D ▲
D5	D 5244 T13, D 5244 T8, D 5244 T9	2.4	2006.10 -	Automatikgetriebe	4818.90D ▲
T5	B 5254 T3, B 5254 T7	2.5	2006.10 -		4489.90D ▲
C 70 I					
2.0	B 5204 T2	2.0	1997.03 - 2005.10		4272.90D
2.0 T	B 5204 T3, B 5204 T4	2.0	1997.03 - 2005.10		4272.90D
2.3 T-5	B 5234 T3, B 5234 T9	2.3	1997.03 - 2005.10		4272.90D
2.4 T	B 5244 T7	2.4	2002.07 - 2005.10		4272.90D
2.5	B 5244 S, B 5254 S	2.5	1998.06 - 2005.10		4272.90D
2.5 T	B 5244 T, B 5254 T	2.5	1997.03 - 2005.10		4272.90D
C 70 II					
2.4	B 5244 S5	2.4	2006.03 -		4489.90D ▲
2.4 i	B 5244 S4	2.4	2006.03 -		4489.90D ▲

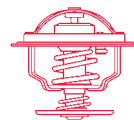


Thermostate
Thermostats
Thermostats

VOLVO

	Motor Engine Moteur	Ltr. Ltr. Ltr.	Jahr Year Année	Einschränkung Restriction* Restriction*	Thermostat Thermostat Thermostat
D5	D 5244 T13, D 5244 T8	2.4	2006.03 -	Automatikgetriebe	4818.90D ▲
T5	B 5254 T3, B 5254 T7	2.5	2006.03 -		4489.90D ▲
S 40 I					
1.6	B 4164 S, B 4164 S2	1.6	1995.09 - 2003.12		4272.90D
1.8	B 4184 S, B 4184 S2, B 4184 S3, B 4184 S9	1.8	1995.07 - 2003.12		4272.90D
1.8 i	B 4184 SJ, B 4184 SM	1.8	1998.03 - 2003.12		4272.90D
1.9 DI	D 4192 T2, D 4192 T3, D 4192 T4	1.9	1999.03 - 2003.12		3470.89D50
1.9 T4	B 4194 T, B 4194 T2	1.9	1997.05 - 2000.07		4272.90D
1.9 TD	D 4192 T	1.9	1995.07 - 1999.08		3470.89D50
2.0	B 4204 S, B 4204 S2	2.0	1995.07 - 2003.12		4272.90D
2.0 T	B 4204 T, B 4204 T3	2.0	1997.10 - 2003.12		4272.90D
2.0 T4	B 4204 T5	2.0	2000.07 - 2003.12		4272.90D
S 40 II					
1.6	B 4164 S3	1.6	2005.01 -		4483.82D
2.4	B 5244 S, B 5244 S4, B 5244 S5	2.4	2004.01 -		4489.90D ▲
T5	B 5254 T3, B 5254 T7	2.5	2004.01 -		4489.90D ▲
S 60					
2.0 T	B 5204 T5	2.0	2001.09 -		4272.90D
2.3 T5	B 5234 T7	2.3	2000.07 - 2002.09	ohne Gehäuse	4272.90D
			2000.07 - 2002.09		4817.90D
2.4	B 5244 S, B 5244 S2	2.4	2000.11 -		4272.90D
2.4 Bifuel	B 5244 SG2	2.4	2002.06 -		4272.90D
2.4 D	D 5244 T2	2.4	2001.12 -		4816.90D
2.4 D5	D 5244 T	2.4	2001.07 -		4816.90D
2.4 T	B 5244 T3	2.4	2000.11 -		4272.90D
2.4 T5	B 5244 T5	2.4	2004.04 -		4817.90D
2.5 T	B 5254 T2	2.5	2004.02 -		4817.90D
T5	B 5234 T3	2.3	2000.11 -		4272.90D
S 70					
2.0	B 5202 S, B 5204 F, B 5204 T2, B 5204 T4	2.0	1997.01 - 2000.11		4272.90D
2.0 Turbo	B 5204 T, B 5204 T3	2.0	1997.01 - 2000.11		4272.90D
2.3	B 5234 T7	2.3	1999.04 - 2000.09		4272.90D
2.3 T5	B 5234 T3, B 5234 T4	2.3	1996.11 - 2000.11		4272.90D
2.3 T5 R	B 5234 T2	2.3	1996.11 - 1998.09		4272.90D
2.3 Turbo	B 5234 FT+	2.3	1997.01 - 2000.11		4272.90D
2.4	B 5244 S, B 5244 S2, B 5244 SG, B 5254 S	2.4	1997.01 - 2000.11		4272.90D
2.4 Turbo	B 5244 T, B 5254 T	2.4	1997.01 - 2000.11		4272.90D
2.5	B 5252 S, B 5254 S	2.5	1997.01 - 2000.11		4272.90D
2.5 Bifuel	B 5244 SG, GB 5252 S	2.5	1998.10 - 2000.11		4272.90D
2.5 TDI	D 5252 T	2.5	1997.01 - 2000.11		4116.87D1
S 80					
2.0	B 5204 T4	2.0	1998.06 - 2006.07		4272.90D
2.0 T	B 5204 T3, B 5204 T5	2.0	1998.06 - 2006.07		4272.90D
2.4	B 5244 S, B 5244 S2	2.4	1999.01 - 2006.07		4272.90D
2.4 Bifuel	B 5244 SG2	2.4	2001.09 - 2006.07		4272.90D
2.4 D	D 5244 T2	2.4	2001.10 - 2006.07		4816.90D
2.4 D5	D 5244 T	2.4	2001.08 - 2006.07		4816.90D
2.4 T	B 5244 T3	2.4	2000.06 - 2006.07		4272.90D
2.5 TDI	D 5252 T	2.5	1999.01 - 2006.07		4116.87D1
2.8 T6	B 6284 T	2.8	1998.05 - 2006.07		4206.90D
2.9	B 6294 S, B 6304 S3	2.9	1998.05 - 2006.07		4206.90D

Thermostate
Thermostats
Thermostats



VOLVO

	Motor Engine Moteur	Ltr. Ltr. Ltr.	Jahr Year Année	Einschränkung Restriction* Restriction*	Thermostat Thermostat Thermostat
3.0	B 6294 S2	3.0	2001.06 - 2006.07		4206.90D
3.0 T6	B 6294 T	3.0	2001.06 - 2006.07		4206.90D
S80 II					
2.5 T	B 5254 T10, B 5254 T6	2.5	2006.03 -		4489.90D ▲
2.5 T FlexFuel	B 5254 T11, B 5254 T8	2.5	2008.05 -		4489.90D ▲
S 90					
2.9	B 6304 G, B 6304 S2	2.9	1997.01 - 1998.05		4272.90D
V 40					
1.6	B 4164 S, B 4164 S2	1.6	1995.12 - 2004.06		4272.90D
1.8	B 4184 S, B 4184 S2, B 4184 S3, B 4184 S9	1.8	1995.07 - 2004.06		4272.90D
1.8 i	B 4184 SJ, B 4184 SM	1.8	1998.03 - 2004.06		4272.90D
1.9 DI	D 4192 T2, D 4192 T3, D 4192 T4	1.9	1999.03 - 2004.06		3470.89D50
1.9 T4	B 4194 T	1.9	1997.05 - 2000.07		4272.90D
1.9 TD	D 4192 T	1.9	1995.07 - 1999.08		3470.89D50
2.0	B 4204 S	2.0	1995.07 - 2004.06		4272.90D
2.0 T	B 4204 T, B 4204 T2, B 4204 T3	2.0	1997.10 - 2004.06		4272.90D
2.0 T4	B 4204 T5	2.0	2000.07 - 2004.06		4272.90D
V 50					
1.6	B 4164 S3	1.6	2005.01 -		4483.82D
2.4	B 5244 S, B 5244 S4, B 5244 S5	2.4	2004.04 -		4489.90D ▲
T5	B 5254 T3, B 5254 T7	2.5	2004.04 -		4489.90D ▲
V 70 I					
2.0	B 5202 S, B 5204 T2, B 5204 T4	2.0	1997.01 - 2000.03		4272.90D
2.0 Turbo	B 5204 T, B 5204 T3	2.0	1997.01 - 2000.03		4272.90D
2.3	B 5234 T7, B 5234 T8	2.3	1998.12 - 2000.02		4272.90D
2.3 T	B 5234 FT+	2.3	1997.04 - 2000.03		4272.90D
2.3 T-5	B 5234 T3	2.3	1997.01 - 2000.03		4272.90D
2.3 Turbo	B 5234 FT+	2.3	1997.01 - 2000.03		4272.90D
2.4	B 5244 S2, B 5244 SG2, B 5254 S	2.4	1997.01 - 2000.05		4272.90D
2.4 Bifuel	B 5244 SG	2.4	1999.08 - 2000.03		4272.90D
2.4 Turbo	B 5244 T, B 5254 T	2.4	1997.01 - 2000.03		4272.90D
2.5	B 5252 S, B 5254 S	2.5	1997.01 - 2000.03		4272.90D
2.5 Bifuel	GB 5252 S	2.5	1998.10 - 1999.08		4272.90D
2.5 TDI	D 5252 T	2.5	1997.01 - 2000.05		4116.87D1
2.5 Turbo	B 5244 T, B 5254 T	2.5	1997.01 - 2000.05		4272.90D
V 70 II					
2.0 T	B 5204 T5	2.0	2001.07 - 2001.08 2001.09 - 2004.04 2004.09 -		4272.90D 4817.90D 4818.90D ▲
2.3 T5	B 5234 T3, B 5234 T4	2.3	2000.03 -		4272.90D
2.4	B 5244 S, B 5244 S2	2.4	2000.03 -		4272.90D
2.4 Bifuel	B 5244 SG	2.4	2001.09 -		4272.90D
2.4 D	D 5244 T2	2.4	2001.12 - 2005.05 -		4816.90D 4818.90D ▲
2.4 D5	D 5244 T, D 5244 T2, D 5244 T4	2.4	2001.08 - 2005.12 -		4816.90D 4818.90D ▲
2.4 T	B 5244 T3	2.4	2000.03 -		4272.90D
2.4 T5	B 5244 T5	2.4	2004.04 - 2004.08 2004.09 -		4817.90D 4818.90D ▲
2.5 T	B 5254 T2, B 5254 T6	2.5	2007.08 - 2002.09 - 2004.08 2004.09 -		4489.90D ▲ 4817.90D 4818.90D ▲

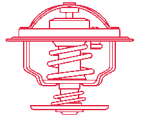


Thermostate
Thermostats
Thermostats

VOLVO

	Motor Engine Moteur	Ltr. Ltr. Ltr.	Jahr Year Année	Einschränkung Restriction* Restriction*	Thermostat Thermostat Thermostat
2.5 TDI	D 5252 T	2.5	2000.03 -		4116.87D1
R 2,5 T	B 5254 T4	2.5	2003.03 - 2004.08 2004.09 -		4817.90D 4818.90D ▲
V 70 III					
2.5 T	B 5254 T10, B 5254 T6	2.5	2007.08 -		4489.90D ▲
2.5 T FlexiFuel	B 5254 T11, B 5254 T8	2.5	2008.05 -		4489.90D ▲
V 90					
2.9	B 6304 G, B 6304 S2	2.9	1997.01 - 1998.12		4272.90D
XC 70					
2.4 D5	D 5244 T4	2.4	2005.12 -		4818.90D ▲
2.4 D5 XC	D 5244 T	2.4	2002.09 -		4816.90D
2.4 T XC	B 5244 T3	2.4	2000.03 - 2002.09		4272.90D
2.5 T XC	B 5254 T2	2.5	2002.09 - 2004.08 2004.09 -		4817.90D 4818.90D ▲
XC 90					
2.5 T	B 5254 T2	2.5	2002.10 -	Motornummer →3264757	4817.90D
D5	D 5244 T	2.4	2002.10 -		4816.90D
T6	B 6294 T	2.9	2002.10 -		4206.90D

Thermostate
Thermostats
Thermostats



WARTBURG

	Motor Engine Moteur	Ltr. Ltr. Ltr.	Jahr Year Année	Einschränkung Restriction* Restriction*	Thermostat Thermostat Thermostat
353					
1.0	1A, 353, 18	1.0	1966.06 - 1989.01	Dichtung	3017.83 003187
1.3	4VO7, 2/7, 5GRF	1.3	1988.09 - 1991.05		4264.84D



Thermostate
Thermostats
Thermostats

ZASTAVA

Motor
Engine
Moteur

Ltr.
Ltr.
Ltr.

Jahr
Year
Année

Einschränkung
Restriction*
Restriction*

Thermostat
Thermostat
Thermostat

101 (1100)

1.1	128 A.000, 128 A.064	1.1	1973.06 - 1993.12		3343.80D
1.1 Super	128 AC 5000	1.1	1979.07 - 1981.09		3343.80D

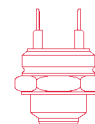
YUGO

0.9	9A	0.9	1986.01 - 1992.06 1980.04 - 1985.12		3022.87D 3023.87D
1.1 60 EFI (145 A)	100 GL. 0.64, 11 E 1.064	1.1	1991.08 - 1995.06		3343.80D
1.3 65 EFI (145 A)	13 E 1.064	1.3	1991.08 - 1995.06		3343.80D

YUGO FLORIDA

1.3 (103 A)	13 E.3.064	1.3	1991.03 -		3343.80D
-------------	------------	-----	-----------	--	-----------------

Thermoschalter
Thermoswitches
Thermocontact



ALFA ROMEO

	Motor Engine Moteur	Ltr. Ltr. Ltr.	Jahr Year Année	Einschränkung Restriction* Restriction*	Thermoschalter Thermoswitches Thermocontact
145 (930)					
1.6 i.e.	AR 33201	1.6	1994.10 - 1996.12	ohne Klimaanlage	6031.92D
1.7 i.e. 16V	AR 33401	1.7	1994.10 - 1996.12	ohne Klimaanlage	6031.92D
146 (930)					
1.6 i.e.	AR 33201	1.6	1994.12 - 1996.12	ohne Klimaanlage	6031.92D
1.7 i.e. 16V	AR 33401	1.7	1994.12 - 1996.12	ohne Klimaanlage	6031.92D
155 (167)					
1.6 16V T.S.	AR 67601	1.6	1996.05 - 1997.12	mit Klimaanlage	6035.92D
1.7 T.S.	AR 67103, AR 67105	1.7	1993.04 - 1996.04	ohne Klimaanlage	6031.92D
1.7 T.S. 16V	AR 67106	1.7	1996.05 - 1997.12	mit Klimaanlage	6035.92D
1.8 T.S.	AR 67101	1.8	1992.02 - 1993.06	ohne Klimaanlage	6031.92D
1.8 T.S. Sport	AR 67101, AR 67102	1.8	1992.01 - 1996.12	ohne Klimaanlage	6031.92D
2.0 T.S. 16V (167.A2G)	AR 67204	2.0	1995.03 - 1997.12		6035.92D
2.5 TD (167.A1A)	VM 07 B, VM 31 B	2.5	1993.04 - 1997.12		6035.92D
2.5 V6	AR 67301, AR 67302, AR 67303	2.5	1992.02 - 1997.12	ohne Klimaanlage	6031.92D
ALFASUD					
1.2	AR 30102, AR 30102 S	1.2	1972.06 - 1984.09		6010.95D
1.2 ti	AR 30104	1.2	1973.11 - 1984.09		6010.95D
1.3	AR 30160, AR 30180, AR 30184	1.3	1978.01 - 1979.07 1976.09 - 1981.12		6010.92D 6010.95D
1.3 (901.F0)	AR 30180	1.3	1978.01 - 1980.02		6010.95D
1.3 SC/ti Super	AR 30164	1.3	1977.09 - 1984.09		6010.95D
1.3 Super (901.F2)	AR 30160	1.3	1979.01 - 1984.09		6010.95D
1.3 ti (901.G0)	AR 30184	1.3	1977.09 - 1984.09		6010.95D
1.4	AR 30164, AR 30168	1.4	1978.05 - 1989.12		6010.95D
1.5	AR 30124, AR 30128, AR 30146	1.5	1978.05 - 1987.12		6010.95D
1.7	AR 30550	1.7	1987.03 - 1989.12		6010.95D
1.7 i.e.	AR 30558	1.7	1987.10 - 1989.12		6010.95D
ALFETTA					
1.6	AR 01600	1.6	1975.01 - 1984.12		6010.95D
1.8	AR 01608, AR 01608 X, AR 01678	1.8	1974.01 - 1984.12		6010.95D
2.0	AR 01623, AR 01655, AR 01713, AR 10520	2.0	1977.03 - 1986.01		6010.95D
2.0 TD	VM4HT/2	2.0	1979.10 - 1983.03		6010.82D
2.4 TD	VM4HT 2.4	2.4	1983.04 - 1984.12		6010.82D
GIULIETTA					
1.3 (116.44A)	AR 01644	1.3	1977.10 - 1983.06		6010.95D
1.6 (116.50B)	AR 01600	1.6	1977.10 - 1985.04		6010.95D
1.8 (116.AA, 116.AB)	AR 01678	1.8	1979.04 - 1985.04		6010.95D
1.8 Turbo	AR 01354	1.8	1984.01 - 1985.12		6010.95D
2.0 (116.A1A)	AR 01655, AR 11671	2.0	1980.06 - 1985.04		6010.95D
2.0 TD	VM 4 HT	2.0	1983.01 - 1985.12		6010.82D
2.0 Turbo	AR 01699	2.0	1983.07 - 1984.06		6010.95D
GTV (916)					
2.0 T.SPARK 16V (916.C2__, 916C2C00)	AR 16201, AR 32310	2.0	1995.06 -		6035.92D
2.0 T.SPARK 16V (916C2C)	AR 32301	2.0	1998.05 - 2000.08		6035.92D
2.0 V6 Turbo (916.C2A)	AR 16202	2.0	1995.06 -		6035.92D
3.0 V6 24V	AR 16102, AR 16105	3.0	1996.10 - 2000.10		6035.92D
MONTREAL					
2.6 (105,64)	AR 10832	2.6	1972.12 - 1979.03		6010.95D

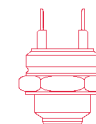


Thermoschalter
Thermoswitches
Thermocontact

ALFA ROMEO

	Motor Engine Moteur	Ltr. Ltr. Ltr.	Jahr Year Année	Einschränkung Restriction* Restriction*	Thermoschalter Thermoswitches Thermocontact
SPIDER (916)					
2.0 T.SPARK 16V	AR 16201, AR 32301, AR 32310	2.0	1995.06 - 2005.04		6035.92D
2.0 V6 Turbo	AR 16202	2.0	1998.05 - 2005.04		6035.92D
3.0 V6	AR 16101, AR 16105	3.0	1995.06 - 2005.04		6035.92D
3.0 V6 24V	AR 16102	3.0	1999.01 - 2000.10		6035.92D
3.2 V6 24V	936 A6.000	3.2	2003.04 - 2005.04		6035.92D

Thermoschalter
Thermoswitches
Thermocontact



AUDI

	Motor Engine Moteur	Ltr. Ltr. Ltr.	Jahr Year Année	Einschränkung Restriction* Restriction*	Thermoschalter Thermoswitches Thermocontact
80 (quattro)					
1.3	EP, FY, FZ, ZA, ZF	1.3	1972.05 - 1978.07 1972.05 - 1986.07		6010.92D 6024.95D
1.4	SE	1.4	1986.08 - 1988.07 1986.08 - 1988.07		6017.95D 6024.95D
1.5	YJ, ZB, ZC	1.5	1972.05 - 1976.07		6010.92D
1.6	ABB, ABM, DT, PP, RN, SA, WV, YN, YP, YT, YY	1.6	1975.09 - 1978.07 1986.02 - 1994.12 1975.09 - 1994.12		6010.92D 6017.95D 6024.95D
1.6 D	CR, JK	1.6	1980.08 - 1991.08 1980.08 - 1991.08		6017.95D 6024.95D
1.6 E	ADA	1.6	1993.06 - 1996.01 1993.06 - 1996.01		6017.95D 6024.95D
1.6 GLE	YZ	1.6	1979.01 - 1986.12		6024.95D
1.6 GT	XX	1.6	1973.09 - 1976.07		6010.92D
1.6 GTE	YS	1.6	1976.01 - 1978.07 1976.01 - 1978.07		6010.92D 6024.95D
1.6 TD	CY, RA, SB	1.6	1981.08 - 1991.08 1981.08 - 1991.08		6017.95D 6024.95D
1.8	DS, JN, RU, SD, SF	1.8	1983.01 - 1990.01 1983.01 - 1990.08		6017.95D 6024.95D
1.8 CC	JN, JV, NE	1.8	1984.08 - 1986.08		6024.95D
1.8 E	DZ	1.8	1986.06 - 1991.08		6024.95D
1.8 GTE	DZ, PV	1.8	1984.10 - 1986.08 1984.08 - 1986.08		6017.95D 6024.95D
1.8 S	JN, NE, PM, SF	1.8	1986.09 - 1991.10		6024.95D
1.9 CD-5S	WN	1.9	1981.09 - 1983.07		6024.95D
1.9 D	1Y	1.9	1989.08 - 1991.08 1989.08 - 1991.08		6017.95D 6024.95D
1.9 TD	AAZ	1.9	1991.09 - 1994.12 1991.09 - 1994.12		6017.95D 6024.95D
1.9 TDI	1Z	1.9	1991.09 - 1996.01 1991.09 - 1996.01		6017.95D 6024.95D
2.0	3A, AAD, ABT, HP, JS	2.0	1991.09 - 1996.01 1983.10 - 1984.09 1983.10 - 1996.01		6017.95D 6020.95D 6024.95D
2.0 E	3A, ABK	2.0	1991.09 - 1996.01 1988.08 - 1996.01		6017.95D 6024.95D
2.0 E 16V	6A, ACE	2.0	1990.03 - 1996.01 1992.04 - 1996.01		6017.95D 6024.95D
2.2	KK, KL, WE	2.2	1982.08 - 1984.07 1980.10 - 1983.07		6020.95D 6024.95D
2.3 E	NG	2.3	1991.09 - 1996.01 1991.09 - 1996.01		6017.95D 6024.95D
2.6	ABC	2.6	1992.06 - 1996.01 1992.06 - 1996.01		6017.95D 6024.95D
2.8	AAH	2.8	1991.09 - 1996.01 1991.09 - 1996.01		6017.95D 6024.95D
RS2	ADU	2.2	1994.03 - 1995.05		6017.95D
S2	ABY	2.2	1993.02 - 1995.07 1993.02 - 1995.07		6017.95D 6024.95D
90 (quattro)					
1.6 TD	CY, RA, SB	1.6	1985.10 - 1991.09 1985.10 - 1991.09		6017.95D 6024.95D
2.0	HP, JS, PS, SK	2.0	1984.10 - 1991.09 1984.10 - 1991.09		6017.95D 6024.95D

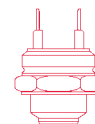


Thermoschalter
Thermoswitches
Thermocontact

AUDI

	Motor Engine Moteur	Ltr. Ltr. Ltr.	Jahr Year Année	Einschränkung Restriction* Restriction*	Thermoschalter Thermoswitches Thermocontact
2.0 20 V	NM	2.0	1988.08 - 1991.09 1988.08 - 1991.09		6017.95D 6024.95D
2.2	HY, KV, KX	2.2	1984.10 - 1987.03 1984.10 - 1987.03		6017.95D 6024.95D
2.2 E	JT, KV	2.2	1984.11 - 1991.09		6024.95D
2.3 E	NG	2.3	1987.04 - 1991.09		6024.95D
2.3 E 20V	7A	2.3	1988.06 - 1991.09		6024.95D
100 1968 --> 1983					
1.6	YM, YV	1.6	1976.08 - 1983.02 1975.01 - 1983.02 1976.08 - 1983.02	Chassis No →4382300000 Chassis No 4392000001→	6017.95D 6010.92D 6024.95D
1.8	ZU, ZV, ZX, ZZ	1.8	1968.11 - 1976.07		6010.92D
1.9	WH, ZJ, ZP	1.9	1980.08 - 1982.07 1970.07 - 1982.07 1980.08 - 1982.07	Chassis No →4382300000 Chassis No 4392000001→	6017.95D 6010.92D 6024.95D
2.0	WA	2.0	1976.06 - 1980.07 1976.06 - 1980.07	Chassis No →4382300000	6017.95D 6010.92D
2.0 D	CN	2.0	1978.08 - 1983.02 1978.08 - 1983.02 1978.08 - 1983.02	Chassis No →4382300000 Chassis No 4392000001→	6017.95D 6010.92D 6024.95D
2.1	WB, WC, WE, WG	2.1	1977.03 - 1983.02 1977.03 - 1983.02	Chassis No 4392000001→	6017.95D 6024.95D
100 1982 --> 1990 (quattro)					
1.8	DR, DS, JW, NP, RS, SH	1.8	1982.08 - 1990.07 1982.08 - 1990.07		6017.95D 6024.95D
1.8 KAT	4B, PH	1.8	1985.03 - 1990.11 1985.03 - 1990.11		6017.95D 6024.95D
1.8 quattro KAT	4B, PH	1.8	1985.08 - 1990.11 1985.08 - 1990.11		6017.95D 6024.95D
1.9	WH	1.9	1982.08 - 1984.07 1982.08 - 1984.07		6017.95D 6024.95D
2.0	KP, RT, SL	2.0	1984.08 - 1990.11 1984.08 - 1990.11		6017.95D 6024.95D
2.0 D	CN	2.0	1982.08 - 1990.11 1982.08 - 1990.11		6017.95D 6024.95D
2.0 D Turbo	DE, NC	2.0	1982.08 - 1990.11 1982.08 - 1990.11		6017.95D 6024.95D
2.0 E	KP, RT	2.0	1985.01 - 1990.11 1985.01 - 1990.11		6017.95D 6024.95D
2.0 TD	DE, NC	2.0	1983.03 - 1990.11 1983.03 - 1990.11		6017.95D 6024.95D
2.1	WC	2.1	1982.08 - 1984.07 1982.08 - 1984.07		6017.95D 6024.95D
2.2	HX, KF, KU, KZ, WU	2.2	1982.08 - 1990.11 1982.08 - 1990.11		6017.95D 6024.95D
2.2 E	PX	2.2	1985.08 - 1986.07 1985.08 - 1986.07		6017.95D 6024.95D
2.2 E Turbo	MC	2.2	1986.08 - 1990.11 1986.08 - 1990.11		6017.95D 6024.95D

Thermoschalter
Thermoswitches
Thermocontact



AUDI

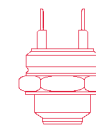
	Motor Engine Moteur	Ltr. Ltr. Ltr.	Jahr Year Année	Einschränkung Restriction* Restriction*	Thermoschalter Thermoswitches Thermocontact
2.2 Turbo	MC	2.2	1986.08 - 1990.11 1986.08 - 1990.11		6017.95D 6024.95D
2.3	AAR, NF	2.3	1986.08 - 1990.11 1986.08 - 1990.11		6017.95D 6024.95D
2.3 E	AAR, NF	2.3	1986.08 - 1990.11 1986.08 - 1990.11		6017.95D 6024.95D
2.4 D	3D	2.4	1989.08 - 1991.07 1989.08 - 1991.07		6017.95D 6024.95D
2.5 TDI	1T	2.5	1990.01 - 1990.11 1990.01 - 1990.11		6017.95D 6024.95D
100 1990 --> 1994 (quattro)					
2.0	AAE	2.0	1990.12 - 1994.06		6017.95D
2.0 E	AAD, AAE, ABK	2.0	1990.12 - 1994.06		6017.95D
2.0 E 16V	ACE	2.0	1992.01 - 1994.06 1992.01 - 1994.06		6017.95D 6024.95D
2.3 E	AAR	2.3	1990.12 - 1994.06		6017.95D
2.4 D	AAS	2.4	1990.12 - 1994.06		6017.95D
2.5 TDI	AAT, ABP	2.5	1990.12 - 1994.06		6017.95D
2.6	ABC, ACZ	2.6	1992.03 - 1994.06		6017.95D
2.8 E	AAH	2.8	1990.12 - 1994.06		6017.95D
S4 Turbo	AAN	2.2	1991.08 - 1994.06		6017.95D
S4 V8	ABH, AEC	4.2	1992.10 - 1994.06		6017.95D
200 (quattro)					
2.1 5 E	WC	2.1	1979.10 - 1984.07 1979.10 - 1984.07		6010.95D 6017.95D
2.1 5 T	WJ	2.1	1979.10 - 1982.08 1979.10 - 1982.08		6010.95D 6017.95D
2.1 Turbo	KG	2.1	1983.08 - 1988.01 1983.08 - 1988.01		6010.95D 6017.95D
2.2	KU	2.2	1984.08 - 1985.07 1984.08 - 1985.07		6010.95D 6017.95D
2.2 20V Turbo	3B	2.2	1989.03 - 1990.12		6017.95D
2.2 Turbo	1B, 2B, MC	2.2	1983.09 - 1991.12 1983.09 - 1991.12		6010.95D 6017.95D
2.3	NF	2.3	1986.11 - 1991.09 1986.11 - 1991.09		6010.95D 6017.95D
A3 (8L)					
1.6	AEH, AKL, APF	1.6	1996.09 - 2000.08 1996.09 - 2000.08		6037.95D 6039.95D
1.8	AGN, APG	1.8	1996.09 - 1996.09 -		6037.95D 6039.95D
1.8 T	AGU, AQA, ARZ, AUM	1.8	1996.12 - 1996.12 -		6037.95D 6039.95D
1.9 TDI	AGR, AHF, ALH, ASV	1.9	1996.09 - 2001.07 1996.09 - 2001.07		6037.95D 6039.95D
A4 (quattro)					
1.6	ADP, AHL, ALZ, ANA, ARM	1.6	1995.01 - 2000.11 1995.01 - 2000.11		6017.95D 6024.95D
1.8	ADR, APT, ARG, AVV	1.8	1995.01 - 2001.09 1995.01 - 2001.09		6017.95D 6024.95D
1.8 T	AEB, ANB, APU, ARK, AWT	1.8	1995.01 - 2001.09 1995.01 - 2001.09		6017.95D 6024.95D
1.9 TDI	1Z, AFN, AHH, AHU, AVG	1.9	1995.01 - 2001.09 1995.01 - 2001.09		6017.95D 6024.95D



Thermoschalter
Thermoswitches
Thermocontact

AUDI	Motor Engine Moteur	Ltr. Ltr. Ltr.	Jahr Year Année	Einschränkung Restriction* Restriction*	Thermoschalter Thermoswitches Thermocontact
2.4	AGA, AJG, ALF, AML, AMM, APS, APZ, ARJ	2.4	1997.03 - 2001.09 1997.03 - 2001.09		6017.95D 6024.95D
2.6	ABC	2.6	1995.01 - 2001.09 1995.01 - 2001.09		6017.95D 6024.95D
2.8	AAH, ACK, ALG, AMX, APR, AQD	2.8	1995.01 - 2001.09 1995.01 - 2001.09		6017.95D 6024.95D
A6 (quattro)					
1.8	ADR	1.8	1995.12 - 1997.12		6017.95D
1.9 TDI	1Z, AHU	1.9	1994.06 - 1997.12		6017.95D
2.0	AAE, ABK, ADW	2.0	1994.06 - 1997.12		6017.95D
2.0 16V	ACE	2.0	1994.06 - 1997.12		6017.95D
2.3	AAR	2.3	1994.06 - 1995.12		6017.95D
2.4	AFM	2.4	1996.07 - 1997.12		6017.95D
2.5 TDI	AAT, AEL	2.5	1994.06 - 1997.12		6017.95D
2.6	ABC, ACZ	2.6	1994.06 - 1997.12		6017.95D
2.8	AAH, ACK, AEJ, AFC	2.8	1994.06 - 1997.12 1995.12 - 1997.12		6017.95D 6024.95D
S6 4.2	AEC	4.2	1994.06 - 1997.12		6017.95D
S6 Turbo	AAN	2.2	1994.06 - 1997.12		6017.95D
A8 (quattro)					
2.5 TDI	AFB, AKE, AKN	2.5	1997.01 - 2000.04 1997.01 - 2002.09		6017.95D 6087.87D
2.8	AAH, ACK, AEJ, ALG, AMX, APR, AQD	2.8	1994.03 - 2002.09 1994.03 - 1996.03 1996.04 - 2002.09		6017.95D 6024.95D 6087.87D
3.3 TDI	AKF	3.3	2000.06 - 2002.09		6087.87D
3.7	AEW, AKC, AKJ, AQG	3.7	1998.11 - 2002.09 1995.07 - 2002.09		6017.95D 6087.87D
4.2	ABZ, AKG, AQF, ARU, AUW, AUX	4.2	1998.11 - 2002.09 1994.03 - 2002.09		6017.95D 6087.87D
6.0 W12	AZC	6.0	2001.01 - 2002.09		6087.87D
S 8	AHC, AKH, AQH, AVP	4.2	1996.07 - 2002.09		6087.87D
CABRIOLET					
1.8	ADR	1.8	1997.01 - 2000.08 1997.01 - 2000.08		6017.95D 6024.95D
1.9 TDI	1Z, AHU	1.9	1995.06 - 2000.08 1995.06 - 2000.08		6017.95D 6024.95D
2.0 16V	ACE	2.0	1995.06 - 1996.07 1995.06 - 1996.07		6017.95D 6024.95D
2.0 E	ABK	2.0	1993.01 - 1998.07 1993.01 - 1998.07		6017.95D 6024.95D
2.3 E	NG	2.3	1991.05 - 1994.07 1991.05 - 1994.07		6017.95D 6024.95D
2.6	ABC, ACZ	2.6	1993.06 - 2000.08 1993.06 - 2000.08		6017.95D 6024.95D
2.8	AAH	2.8	1992.11 - 2000.08 1992.11 - 2000.08		6017.95D 6024.95D
COUPE (quattro)					
1.8	DD, DZ	1.8	1981.08 - 1983.07 1981.08 - 1991.07	Chassis No →85F220000 Chassis No 85G000001→	6024.95D 6017.95D

Thermoschalter
Thermoswitches
Thermocontact



AUDI	Motor Engine Moteur	Ltr. Ltr. Ltr.	Jahr Year Année	Einschränkung Restriction* Restriction*	Thermoschalter Thermoswitches Thermocontact
1.8 GT	DS, DZ, JN, JV, PV, SF	1.8	1982.09 - 1988.10	Chassis No →85F220000	6024.95D
			1982.09 - 1988.10	Chassis No 85G000001→	6017.95D
1.9	WN	1.9	1980.08 - 1983.07	Chassis No →85F220000	6024.95D
			1980.08 - 1983.07	Chassis No 85G000001→	6017.95D
2.0	AAD, ABK, HP, JS, SK	2.0	1983.09 - 1988.04	Chassis No →85F220000	6024.95D
			1983.09 - 1996.12	Chassis No 85G000001→	6017.95D
2.0 16 V	ACE	2.0	1992.08 - 1996.12		6017.95D
2.0 20 V	NM	2.0	1989.08 - 1991.07		6017.95D
			1989.08 - 1991.07		6024.95D
2.1 GT	KE, KL	2.1	1982.09 - 1984.08	Chassis No →85F220000	6024.95D
			1982.09 - 1984.08	Chassis No 85G000001→	6017.95D
2.2	JT, KV	2.2	1984.10 - 1988.10	Chassis No →85F220000	6024.95D
			1984.10 - 1991.07	Chassis No 85G000001→	6017.95D
2.2 GT	HY, KV, KX	2.2	1981.07 - 1988.10	Chassis No →85F220000	6024.95D
			1981.07 - 1988.10	Chassis No 85G000001→	6017.95D
2.3	NG	2.3	1987.01 - 1988.10	Chassis No →85F220000	6024.95D
			1987.01 - 1996.12	Chassis No 85G000001→	6017.95D
2.3 20V	7A	2.3	1988.11 - 1996.12		6017.95D
2.6	ABC	2.6	1992.08 - 1996.12		6017.95D
2.8	AAH	2.8	1991.08 - 1996.12		6017.95D
S2	3B, ABY	2.2	1990.09 - 1996.12		6017.95D
QUATTRO					
2.1 20V Turbo	KW	2.1	1984.05 - 1987.07		6024.95D
2.1 Turbo	GV, WR	2.1	1980.07 - 1987.07	Chassis No →85-F-902000	6010.95D
			1980.07 - 1987.07	Chassis No 85-G-900001→	6024.95D
2.2 Turbo	1B, MB	2.2	1987.08 - 1989.07		6017.95D

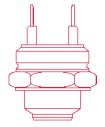


Thermoschalter
Thermoswitches
Thermocontact

AUTOBIANCHI

	Motor Engine Moteur	Ltr. Ltr. Ltr.	Jahr Year Année	Einschränkung Restriction* Restriction*	Thermoschalter Thermoswitches Thermocontact
A 112					
0.9	A112A 5.000, A112B2.000	0.9	1969.10 - 1985.12		6010.95D
0.9 E	A112A 5.000	0.9	1973.01 - 1977.12		6010.95D
1.0 Abarth	A112A1.000, A112A2.000	1.0	1971.09 - 1984.12		6010.95D
1.0 E,Elite,LX	A112B1.000	1.0	1977.11 - 1985.12		6010.95D
Y 10					
1.0	156A.000, 156A2.000, 156A2.246, 156A3.000	1.0	1985.03 - 1991.12		6031.92D
1.0 Turbo	156A1.000	1.0	1985.03 -		6031.92D
1.1	156C.000	1.1	1989.06 - 1989.06 -	ohne Klimaanlage mit Klimaanlage	6031.92D 6035.92D
1.1 i.e.	156C.046	1.1	1990.09 -	ohne Klimaanlage	6031.92D

Thermoschalter
Thermoswitches
Thermocontact



CITROËN

	Motor Engine Moteur	Ltr. Ltr. Ltr.	Jahr Year Année	Einschränkung Restriction* Restriction*	Thermoschalter Thermoswitches Thermocontact
AX					
1.3 Sport	M4A	1.3	1987.04 - 1988.12		6010.95D
10 E	C3A	1.0	1986.12 - 1988.12		6010.95D
11	H1A, H1B	1.1	1986.12 - 1994.04		6010.95D
14	KAY (TU3CP)	1.4	1986.12 - 1988.12		6010.95D
BX					
14	K1H (TU3A), KDY (TU3M), KDZ (TU3M/Z)	1.4	1989.01 - 1993.02		6010.88D
14 E	150A, 150C, 150F, K1G	1.4	1982.10 - 1993.02 1985.10 - 1989.05		6010.88D 6010.92D
CX					
20	829 A5	2.0	1985.08 - 1986.08		6010.95D
20 RE	829 A5	2.0	1985.08 - 1992.12		6010.95D
2000	829 A5, M20-616	2.0	1974.09 - 1985.08		6010.95D
2200	M22-617	2.2	1974.09 - 1976.07		6010.95D
2200 D	M22-621	2.2	1975.10 - 1979.02		6010.88D
2400	M23-623	2.3	1976.08 - 1980.06		6010.95D
2500 D	M25-629	2.5	1978.02 - 1985.08		6010.95D
LNA					
1.1	109/5E	1.1	1982.07 - 1985.04		6010.88D
VISA					
0.6	V06/665	0.6	1982.07 - 1991.03		6010.92D
11 E	109/5F, 109K	1.1	1978.09 - 1991.03		6010.88D
14 GT	150B (XY8)	1.4	1982.03 - 1991.03		6010.88D



Thermoschalter
Thermoswitches
Thermocontact

DACIA

**Motor
Engine
Moteur**

**Ltr.
Ltr.
Ltr.**

**Jahr
Year
Année**

**Einschränkung
Restriction*
Restriction***

**Thermoschalter
Thermoswitches
Thermocontact**

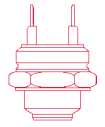
1300

1.3 810-02/-99 1.3 1972.12 - 1983.05 6010.92D

1310

1.3 810-02/-99 1.3 1983.05 - 6010.92D

Thermoschalter
Thermoswitches
Thermocontact



DAEWOO

	Motor Engine Moteur	Ltr. Ltr. Ltr.	Jahr Year Année	Einschränkung Restriction* Restriction*	Thermoschalter Thermoswitches Thermocontact
NEXIA (KLETN)					
1.5	G15MF	1.5	1995.02 - 1997.08		6010.92D
1.5 16V	A15MF	1.5	1995.02 - 1997.08		6010.92D

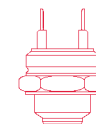


Thermoschalter
Thermoswitches
Thermocontact

FIAT

	Motor Engine Moteur	Ltr. Ltr. Ltr.	Jahr Year Année	Einschränkung Restriction* Restriction*	Thermoschalter Thermoswitches Thermocontact
124 Spider					
1600 Sport (BS)		1.6	1969.11 - 1973.08		6010.92D
1600 Sport (BS1)	132 AC.000	1.6	1969.01 - 1974.12		6010.92D
1600 Sport (CS)	132 AC.000	1.6	1969.01 - 1974.12		6010.92D
1800 Rally Abarth (CSA)		1.7	1972.09 - 1975.07		6010.92D
1800 Sport (CS1)		1.8	1972.01 - 1977.12		6010.92D
1800 Sport (CS1)		1.7	1973.01 - 1975.07		6010.92D
127					
0.9	100 GL.000, 100 GL.048	0.9	1971.06 - 1983.05		6010.88D
1.0	127 A.000, 127 A1.000	1.0	1977.01 - 1986.12		6010.88D
1.3 Diesel	127 A5.000	1.3	1981.04 - 1986.12		6010.88D
1.3 Sport	127 A3.000	1.3	1981.12 - 1983.05		6010.88D
128					
1.1	128 A.000, 128 A.048	1.1	1969.03 - 1984.12		6010.88D
1.3	128 A1.000	1.3	1971.09 - 1984.12		6010.92D
131					
1.3 Mirafiori	131 A6.000	1.3	1974.10 - 1981.09 1974.10 - 1982.12		6010.88D 6010.92D
1.3 Mirafiori (AF)	131 A6.000	1.3	1975.03 - 1978.12		6010.88D
1.3 Super Mirafiori	131 B.000	1.3	1978.03 - 1980.12		6010.88D
1.4 Mirafiori	131 C.000, 131 C1.000	1.4	1980.11 - 1984.01		6010.88D
1.6	131 C2.000	1.6	1976.11 - 1985.04		6010.88D
1.6 (S)	131 A1.000	1.6	1974.10 - 1981.09		6010.88D
1.6 CL (AF1)	131 A1.000	1.6	1975.03 - 1978.12		6010.88D
1.6 Super	131 C3.000	1.6	1978.03 - 1984.01 1979.12 - 1981.12		6010.88D 6010.92D
1.6 Super Mirafiori (A)	131 B1.000	1.6	1979.03 - 1982.03		6010.88D
2.0 Racing	131 B2.000	2.0	1978.06 - 1981.12		6010.88D
2.0 Super	131 C4.000	2.0	1981.01 - 1984.12		6010.88D
2.5 Diesel	8144.61	2.5	1978.06 - 1984.02		6010.88D
2.5 Super Diesel (AF)	8144.61	2.5	1979.03 - 1984.12		6010.88D
132					
1.6	132 BB OA O, 132 C.000, 132 C6.000	1.6	1972.04 - 1982.12		6010.88D
1.7	132 B1.000	1.7	1972.04 - 1977.01		6010.88D
2.0	132 C2.000	2.0	1977.05 - 1981.06		6010.88D
2.0 GLS	132 C2.000	2.0	1976.01 - 1976.12		6010.92D
2.0 i.e.	132 C3.000	2.0	1980.01 - 1982.12		6010.88D
ARGENTA (132A)					
1600	132 D.000	1.6	1981.04 - 1985.12		6010.95D
2000	132 C2.000, 132 D1.000	2.0	1978.06 - 1985.12		6010.95D
2000 i.e.	132 C3.000	2.0	1981.06 - 1986.07		6010.95D
2500 Diesel	8144.61	2.5	1981.06 - 1985.11		6010.88D
2500 Turbodiesel	8144.61.500.81	2.4	1983.07 - 1985.08		6010.88D
BRAVA, BRAVO (182)					
1.2 16V 80	182 B2.000, 188 A5.000	1.2	1998.12 - 2001.10	ohne Klimaanlage	6031.92D
1.4 (182.AA)	182 A3.000	1.4	1995.10 - 2001.10 1995.10 - 2001.10	ohne Klimaanlage	6031.92D 6035.92D
1.4 (182.AG)	182 A5.000	1.4	1995.10 - 2001.10 1995.10 - 2001.10	ohne Klimaanlage mit Klimaanlage	6031.92D 6035.92D
1.4 (182.BG)	182 A5.000	1.4	1995.10 - 2001.10 1995.10 - 2001.10	ohne Klimaanlage mit Klimaanlage	6031.92D 6035.92D

Thermoschalter
Thermoswitches
Thermocontact



FIAT

	Motor Engine Moteur	Ltr. Ltr. Ltr.	Jahr Year Année	Einschränkung Restriction* Restriction*	Thermoschalter Thermoswitches Thermocontact
1.4 12 V	182 A3.000	1.4	1995.10 - 1998.08 1995.10 - 1998.08	ohne Klimaanlage mit Klimaanlage	6031.92D 6035.92D
1.6 16V	182 A4.000, 182 A6.000	1.6	1995.10 - 2001.10 1995.10 - 2001.10	ohne Klimaanlage mit Klimaanlage	6031.92D 6035.92D
1.8 GT	182 A2.000	1.8	1995.10 - 2001.10	ohne Klimaanlage	6031.92D
1.9 JTD	182 B9.000	1.9	2000.09 - 2001.10	mit Klimaanlage	6035.92D
1.9 JTD 105	182 B4.000	1.9	1998.12 - 2001.10		6031.92D
1.9 TD 100 S	182 A7.000	1.9	1996.03 - 2001.10	mit Klimaanlage	6035.92D
1.9 TD 75 S	182 A8.000	1.9	1996.03 - 2001.10	mit Klimaanlage	6035.92D
2.0 HGT 20V	182 A1.000	2.0	1995.10 - 1998.07	ohne Klimaanlage	6031.92D
CINQUECENTO (170)					
0.7 (170AA)	170 A.000	0.7	1991.12 - 1996.01		6031.97D
0.7 i (170AD)	170 A.046	0.7	1994.07 - 1998.01		6031.97D
0.9 (170AB)	170 A1.000	0.9	1991.07 - 1993.12		6031.97D
0.9 i.e. (170AC)	170 A1.046	0.9	1991.07 - 1993.12		6031.97D
0.9 i.e. S (170AF, 170CF)	1170 A1.000, 1170 A1.046	0.9	1991.07 - 1999.07		6031.97D
1.1 Sporting (170AH)	176 B2.000	1.1	1994.10 - 1998.01		6031.97D
COUPE					
1.8 16V	183 A1.000	1.8	1996.03 - 2000.08		6035.92D
2.0 16V	836 A3.000	2.0	1993.11 - 1996.08 1993.11 - 1996.08	ohne Klimaanlage mit Klimaanlage	6031.92D 6035.92D
2.0 16V Turbo	175 A1.000	2.0	1993.11 - 1996.08 1993.11 - 1996.08	ohne Klimaanlage mit Klimaanlage	6031.92D 6035.92D
2.0 20V	182 A1.000, 182 B3.000	2.0	1996.08 - 2000.08 1996.08 - 2000.08	ohne Klimaanlage mit Klimaanlage	6031.92D 6035.92D
2.0 20V Turbo	175 A3.000	2.0	1996.08 - 2000.08 1996.08 - 2000.08	ohne Klimaanlage mit Klimaanlage	6031.92D 6035.92D
CROMA (154)					
1600	154 A.048	1.6	1986.07 - 1989.06		6031.92D
2000 16V	154 E1.000	2.0	1992.08 - 1996.08		6035.92D
2000 CHT		2.0	1991.01 - 1992.09		6031.92D
2000 CHT (154.AC)	154 A1.000	2.0	1985.12 - 1989.02		6035.92D
2000 i.e.	154 C3.000, 154 C3.046, 834 B.000, 834 B.048, 834 B.146	2.0	1986.03 - 1996.08		6035.92D
2000 i.e. Turbo	154 A2.000, 154 C4.046, 834 C.146	2.0	1985.12 - 1996.08		6035.92D
2500 D	8144.67	2.5	1985.12 - 1989.12		6017.85D
2500 TD (154.AE)	8144.91.2000	2.4	1985.12 - 1989.08		6017.85D
DUCATO (290)					
2.0	170 D	2.0	1992.05 - 1994.05		6031.92D
DUNA (146 B)					
60 1.1	146 A6.000	1.1	1987.01 - 1991.12		6031.92D
70 1.3	146 A5.000	1.3	1987.01 - 1991.12		6031.92D
DS 1.7	149 B3.000	1.7	1987.01 - 1991.12		6040.88
ELBA					
1.3		1.3	1986.04 - 1993.12		6031.92D
1.5	149 C1.000	1.5	1986.04 - 1996.12	149C1.000	6035.92D
1.6	159 A3.000	1.6	1989.04 - 1996.12		6035.92D
1.7 D	146 B2.000	1.7	1989.04 - 1996.12		6040.88
FIORINO (127)					
1050	127 A.000	1.0	1980.01 - 1987.12		6010.88D

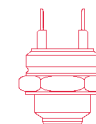


Thermoschalter
Thermoswitches
Thermocontact

FIAT

	Motor Engine Moteur	Ltr. Ltr. Ltr.	Jahr Year Année	Einschränkung Restriction* Restriction*	Thermoschalter Thermoswitches Thermocontact
FIORINO (146 Uno)					
60 1.1	146 A9.000	1.1	1988.05 - 1993.12		6031.92D
60 1.7 D	146 B2.000, 149 B3.000	1.7	1988.05 - 2000.05		6040.88
65 1.7 TD	146 D7.000	1.7	1997.01 - 2001.05	ohne Klimaanlage	6040.88
70 1.3	146 A5.000	1.3	1988.01 - 1994.12		6031.92D
70 i.e. 1.4	146 C5.000, 146 D5.000	1.4	1994.05 - 2001.05		6035.92D
75 i.e. 1.5	149 C1.000	1.5	1988.05 - 1993.12 1988.05 - 1993.12		6010.88D 6031.92D
75 i.e. 1.6	146 C6.000, 146 D6.000	1.6	1993.10 - 2001.05		6035.92D
FIORINO (147)					
1.0	127 A.000	1.0	1980.01 - 1987.12		6010.88D
1.1	146 A9.000	1.1	1986.11 - 1988.04		6031.92D
1.3	146 A5.000	1.3	1987.12 - 1993.08		6031.92D
1.3 D	127 A5.000	1.3	1982.03 - 1987.12		6040.88
FIORINO (146 Uno)					
1.4	146 D5.000	1.4	1994.05 - 2001.05		6035.92D
FIORINO (147)					
1.5	149 C1.000	1.5	1988.01 - 1993.08		6031.92D
FIORINO (146 Uno)					
1.6	146 C6.000, 146 D6.000	1.6	1994.01 - 2001.05		6035.92D
FIORINO (147)					
1.7 D	149 B2.000, 149 B3.000	1.7	1987.12 - 1990.12		6010.88D
FIORINO (146 Uno)					
1.7 TD	146 D7.000	1.7	1997.01 - 2001.05	ohne Klimaanlage	6040.88
MAREA (185)					
1.2 16V	182 B2.000	1.2	1998.10 - 1998.10 -	ohne Klimaanlage mit Klimaanlage	6031.92D 6035.92D
1.4 80 12V	182 A3.000	1.4	1996.09 - 1996.09 -	ohne Klimaanlage mit Klimaanlage	6031.92D 6035.92D
1.6 100 16V	182 A4.000	1.6	1996.09 - 1996.09 -	ohne Klimaanlage mit Klimaanlage	6031.92D 6035.92D
1.6 100 16V Bipower	185 A3.000, 186 A4.000	1.6	1999.04 - 1999.04 -	ohne Klimaanlage mit Klimaanlage	6031.92D 6035.92D
1.8 115 16V	182 A2.000	1.8	1996.09 - 1996.09 -	ohne Klimaanlage mit Klimaanlage	6031.92D 6035.92D
1.9 TD 100	182 A7.000	1.9	1996.09 - 1996.09 -	ohne Klimaanlage mit Klimaanlage	6031.92D 6035.92D
1.9 TD 75	182 A8.000	1.9	1996.09 -	mit Klimaanlage	6035.92D
2.0 150 20V	182 A1.000	2.0	1996.09 - 1999.04 1996.09 - 1999.04	ohne Klimaanlage mit Klimaanlage	6031.92D 6035.92D
PALIO					
1.0		1.0	1996.04 -		6031.92D
1.2	176 A8.000, 178 B5.000, 178 E2.000	1.2	1998.06 - 1998.06 -	ohne Klimaanlage mit Klimaanlage	6031.92D 6035.92D
1.2 (178DX.G1A)	178 B5.000	1.2	1996.04 - 2001.02 1996.04 - 2001.02	ohne Klimaanlage mit Klimaanlage	6031.92D 6035.92D
1.2 (178DYA1A)	188 A4.000	1.2	2001.02 - 2001.02 -	ohne Klimaanlage mit Klimaanlage	6031.92D 6035.92D
1.4	178 B2.000, 178 B2.016	1.4	1996.04 - 1996.04 -	ohne Klimaanlage mit Klimaanlage	6031.92D 6035.92D

Thermoschalter
Thermoswitches
Thermocontact



FIAT

	Motor Engine Moteur	Ltr. Ltr. Ltr.	Jahr Year Année	Einschränkung Restriction* Restriction*	Thermoschalter Thermoswitches Thermocontact
1.5		1.5	1996.04 - 1998.06 1996.04 - 1998.06	ohne Klimaanlage mit Klimaanlage	6031.92D 6035.92D
1.6 16V	178 B3.000	1.6	1996.04 - 1996.04 -	ohne Klimaanlage mit Klimaanlage	6031.92D 6035.92D
1.6 16V (178DX.D1A)	178 B3.000	1.6	1996.04 - 2001.02 1996.04 - 2001.02	ohne Klimaanlage mit Klimaanlage	6031.92D 6035.92D
1.6 16V (178DYC1A06)	182 B6.000	1.6	2001.02 - 2001.02 -	ohne Klimaanlage mit Klimaanlage	6031.92D 6035.92D
1.7 TD (178DX.H1A)	176 A3.000	1.7	1996.04 - 2001.03 1996.04 - 2001.03	ohne Klimaanlage mit Klimaanlage	6031.92D 6035.92D
1.9 D (178DYD1A07)	223 A6.000	1.9	2001.03 - 2001.03 -	ohne Klimaanlage mit Klimaanlage	6031.92D 6035.92D

PANDA

650	141 A.000	0.7	1982.01 - 2004.07		6010.95D
750	141 B.000, 156 A4.000, 156 A4.048	0.8	1991.06 - 1997.12		6031.92D
800		0.8	1981.02 - 1985.12		6010.95D
900	100 GL3.000, 1170 A1.046, 146 A.000	0.9	1980.10 - 1994.06 1992.04 - 1996.12		6010.95D 6031.92D
950	A 112 B1.054	1.0	1982.09 - 1986.12		6010.95D
1000	141 C2.000, 156 A2.100, 156 A2.246, 156 A3.000, 156 A3.100	1.0	1985.01 - 1994.12		6031.92D
1000 i.e	156 A2.246	1.0	1992.08 - 2004.02		6031.92D
1000 i.e.	141 C2.000, 156 A2.246	1.0	1987.10 - 1998.08		6031.92D
1100	156 C.046, 176 B2.000, 187 A1.000	1.1	1991.05 - 2004.07		6031.92D

PUNTO (176)

1.1	176 B2.000	1.1	1996.04 - 2000.02	ohne Klimaanlage	6031.92D
1.4 GT Turbo	176 A4.000, 176 B6.000	1.4	1994.01 - 1999.09		6010.92D
55 1.1	176 A6.000, 176 B2.000	1.1	1993.09 - 1999.09	ohne Klimaanlage	6031.92D
60 1.2	176 A7.000, 176 B1.000, 176 B4.000	1.2	1994.01 - 1999.09	ohne Klimaanlage	6031.92D
75 1.2	176 A8.000	1.2	1993.10 - 1999.09 1993.10 - 1999.09	ohne Klimaanlage mit Klimaanlage	6031.92D 6035.92D
85 16V 1.2	176 B9.000	1.2	1997.04 - 2000.06 1997.04 - 2000.06	ohne Klimaanlage mit Klimaanlage	6031.92D 6035.92D
90 1.6	176 A9.000	1.6	1994.01 - 1997.04		6010.92D

REGATA

60 Diesel 1.7	138 B6.000, 149 B3.000	1.7	1983.09 - 1989.03		6017.85D
65 Diesel 1.9	149 A1.000	1.9	1984.04 - 1989.07		6017.85D
70 1.3	138 B2.000, 149 A3.000, 149 A7.000	1.3	1983.09 - 1989.07 1983.09 - 1986.07		6010.95D 6031.92D
75 1.5	138 B3.048, 138 C3.048	1.5	1983.12 - 1989.07		6010.95D
75 1.5 i.e.	138 C2.048, 149 C1.000	1.5	1985.07 - 1989.07 1986.12 - 1989.07		6010.95D 6031.92D
80 Turbo Diesel 1.9	831 D1.000	1.9	1986.05 - 1989.07		6017.85D
85 1.5	138 B3.000, 149 A5.000	1.5	1985.05 - 1987.12 1984.01 - 1989.04		6010.95D 6031.92D
85 1.6	149 A.000	1.6	1983.10 - 1990.06		6010.95D
85 Super 1.5	138 B3.000	1.5	1983.09 - 1985.04		6010.95D
90 i.e. 1.6	149 C2.000	1.6	1987.01 - 1989.07		6010.95D
100 1.6 (RF)	149 A4.000	1.6	1984.09 - 1986.12		6010.95D
100 i.e. 1.6	149 C3.000	1.6	1987.01 - 1990.12		6031.92D
100 Super 1.6	149 A2.000, 149 A4.000, 149 C3.000	1.6	1983.10 - 1990.12 1983.10 - 1989.07		6010.95D 6031.92D

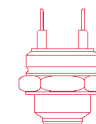


Thermoschalter
Thermoswitches
Thermocontact

FIAT

	Motor Engine Moteur	Ltr. Ltr. Ltr.	Jahr Year Année	Einschränkung Restriction* Restriction*	Thermoschalter Thermoswitches Thermocontact
RITMO I (138A)					
55 Diesel 1.7	138 A5.000	1.7	1979.10 - 1982.09		6017.85D
60 1.0	127 A6.000	1.0	1978.09 - 1982.09		6010.88D
65 1.3	138 A1.000	1.3	1978.01 - 1982.09		6010.88D
75 1.3	138 A3.000	1.3	1981.01 - 1982.09		6010.95D
75 i.e. 1.5	138 C2.048, 149 C1.000	1.5	1985.10 - 1987.05		6010.92D
85 1.5	138 A4.000	1.5	1981.01 - 1982.09		6010.95D
105 Sport 1.6	138 AR.000	1.6	1981.05 - 1982.12		6010.95D
125 TC Abarth 2.0	138 AR1.000	2.0	1981.11 - 1982.09		6010.95D
RITMO II (138A)					
60 1.1	138 B.000, 138 B1.000, 138 C1.000, 146 A4.048	1.1	1985.04 - 1987.12 1982.10 - 1985.10		6010.92D 6031.92D
70 1.3	138 B2.000	1.3	1983.01 - 1985.04		6010.92D
75 1.5	138 C2.048, 149 C1.000	1.5	1985.09 - 1988.12		6010.92D
RITMO Bertone Cabriolet					
85 1.5	138 A4.000, 138 B3.000	1.5	1980.01 - 1989.07		6031.92D
100 1.6	138 AR.000, 138 AR.048	1.6	1985.10 - 1987.12		6031.92D
SEICENTO (187)					
0.9	1170 A1.046	0.9	1998.01 -		6031.97D
1.1	176 B2.000, 187 A1.000	1.1	1998.01 -		6031.97D
SIENA					
1.2	178 B5.000	1.2	1998.09 - 1998.09 -	ohne Klimaanlage mit Klimaanlage	6031.92D 6035.92D
1.4	178 B2.000, 178 B2.016	1.4	1996.04 - 1996.04 -	ohne Klimaanlage mit Klimaanlage	6031.92D 6035.92D
1.6 16V	178 B3.000	1.6	1998.09 - 1998.09 -	ohne Klimaanlage mit Klimaanlage	6031.92D 6035.92D
STRADA (178E)					
1.2	178 B5.000, 188 A4.000	1.2	1999.06 - 1999.06 -	ohne Klimaanlage mit Klimaanlage	6031.92D 6035.92D
1.7 TD	176 A3.000	1.7	1999.06 -	ohne Klimaanlage	6031.92D
1.9 D	223 A6.000	1.9	2000.12 -	ohne Klimaanlage	6031.92D
TALENTO (290)					
2.0	170 B	2.0	1992.05 - 1994.03		6031.92D
TEMPRA (159)					
1.4 i.e.	159 A2.000, 160 A1.046, 836 A4.000	1.4	1991.03 - 1996.08	Motornummer →8742134	6035.92D
1.6	159 A3.000	1.6	1990.03 - 1993.04		6035.92D
1.6 i.e.	159 A3.046, 159 A3.048, 159 B9.000, 835 C1.000	1.6	1990.06 - 1996.08		6035.92D
1.8	159 A4.000	1.8	1992.07 - 1993.06		6035.92D
1.8 i.e.	159 A4.046, 835 C2.000, 835 C4.000, 836 A5.000	1.8	1992.03 - 1993.12 1990.03 - 1996.08	ohne Klimaanlage mit Klimaanlage	6031.92D 6035.92D
1.9 D	149 A1.000, 160 A7.000	1.9	1991.07 - 1996.08		6017.85D
1.9 TD	160 A6.000, 160 B6.046, 160 D1.000	1.9	1990.05 - 1996.08		6017.85D
2.0 i.e.	159 A6.046	2.0	1990.10 - 1996.08		6035.92D
2.0 i.e.	159 A6.046	2.0	1991.01 - 1995.03		6035.92D

Thermoschalter
Thermoswitches
Thermocontact



FIAT

	Motor Engine Moteur	Ltr. Ltr. Ltr.	Jahr Year Année	Einschränkung Restriction* Restriction*	Thermoschalter Thermoswitches Thermocontact
TIPO (160)					
1.1	160 A3.000	1.1	1988.01 - 1991.10 1991.10 - 1991.10	ohne Klimaanlage mit Klimaanlage	6031.92D 6035.92D
1.4	160 A1.000, 160 A1.048	1.4	1987.07 - 1989.12		6035.92D
1.4 i.e.	159 A2.000, 160 A1.046, 836 A4.000	1.4	1989.05 - 1995.04	mit Klimaanlage	6035.92D
1.6	160 A2.000	1.6	1991.10 - 1991.10	mit Klimaanlage	6035.92D
1.6 i.e.	149 C2.046, 159 A3.046, 159 A3.048, 835 C1.000	1.6	1988.02 - 1993.01 1991.10 - 1995.04	ohne Klimaanlage mit Klimaanlage	6031.92D 6035.92D
1.6 SX DGT	159 A3.000	1.6	1989.05 - 1992.10	mit Klimaanlage	6035.92D
1.7 D	149 B4.000	1.7	1988.01 - 1995.10		6017.85D
1.8 i.e	836 A5.000	1.8	1993.03 - 1995.04		6031.92D
1.8 i.e.	159 A4.000, 159 A4.046, 835 C2.000, 835 C4.000	1.8	1990.10 - 1995.04 1990.10 - 1995.04	ohne Klimaanlage mit Klimaanlage	6031.92D 6035.92D
1.8 i.e.16V Sport	160 A5.000	1.8	1989.11 - 1992.06		6031.92D
1.9 D	149 A1.000, 160 A7.000	1.9	1991.07 - 1996.08		6017.85D
1.9 TD (160.AW)	160 B6.046	1.9	1992.03 - 1993.06		6017.85D
1.9 TD (160.EL, 160.GL, 160.AQ, 160.EI, 160.AR)	160 A6.000, 160 A6.046, 160 D1.000	1.9	1990.09 - 1995.04		6017.85D
2.0 16V (160.AV)	160 A8.046	2.0	1991.07 - 1995.04		6035.92D
2.0 i.e. (160.AJ)	159 A5.046	2.0	1990.06 - 1992.03 1990.06 - 1992.03		6031.92D 6035.92D
2.0 i.e. (160.AT, 160.AJ)	159 A6.046	2.0	1990.03 - 1995.04 1990.03 - 1995.04		6031.92D 6035.92D
2.0 i.e. 16V Sport (160.EF)	836 A3.000	2.0	1993.03 - 1995.04	ohne Klimaanlage	6035.92D
UNO (146A/E)					
1.3 Super Diesel	127 A5.000, 146 B1.000	1.3	1983.06 - 1992.03		6017.85D
1.3 Turbo i.e.	146 A2.000, 146 A2.146, 146 A2.246	1.3	1985.04 - 1989.08 1989.09 - 1991.03		6031.92D 6033.88
1.4 Turbo i.e.	146 A8.000, 146 A8.046	1.4	1989.12 - 1996.12 1989.09 - 1993.09		6031.92D 6033.88
1.6	159 A3.046	1.6	1989.12 - 1993.12 1989.12 - 1993.12	ohne Klimaanlage mit Klimaanlage	6031.92D 6035.92D
1.6 R		1.6	1992.12 - 1995.12 1992.12 - 1995.12	ohne Klimaanlage mit Klimaanlage	6031.92D 6035.92D
1.9 D	149 B5.046	1.9	1989.09 - 1994.03		6040.88
45 0.9	146 A.000, 146 A.1000	0.9	1983.03 - 1992.09		6010.95D
45 1.0 (146A.ED)	156 A2.048, 156 A2.100	1.0	1986.06 - 1993.12		6031.92D
45 i.e. 1.0	156 A2.246	1.0	1984.04 - 1995.10		6031.92D
50 1.1	146 A4.044, 156 C.046	1.1	1986.01 - 1993.12 1990.01 - 1993.12	ohne Klimaanlage mit Klimaanlage	6031.92D 6035.92D
50 i.e. 1.1	146 C3.000	1.1	1992.06 - 1993.12 1992.06 - 1993.12	ohne Klimaanlage mit Klimaanlage	6031.92D 6035.92D
55 1.0		1.0	1994.04 - 2000.08		6031.92D
55 1.1	138 B.000	1.1	1983.01 - 1989.08		6031.92D
60 1.1	146 A4.048, 160 A3.000	1.1	1985.05 - 1992.12 1989.04 - 1992.12	mit Klimaanlage mit Klimaanlage	6031.92D 6035.92D
60 Diesel 1.7	146 B2.000, 149 B3.000	1.7	1986.07 - 1989.08 1989.09 - 1993.12		6017.85D 6040.88
70 1.3	138 B2.000, 149 A7.000	1.3	1983.01 - 1989.08		6031.92D
70 i.e. 1.4	146 C1.000, 160 A1.046	1.4	1989.09 - 1993.12 1989.09 - 1993.12	ohne Klimaanlage mit Klimaanlage	6031.92D 6035.92D
70 S 1.4	160 A1.048	1.4	1989.09 - 1992.10 1989.09 - 1992.10	ohne Klimaanlage mit Klimaanlage	6031.92D 6035.92D
70 TD 1.4	146 B.000, 146 B3.000	1.4	1986.10 - 1990.10		6017.85D
75 i.e. 1.5	138 C2.048, 149 C1.000	1.5	1985.10 - 1993.12 1985.10 - 1993.12	ohne Klimaanlage mit Klimaanlage	6031.92D 6035.92D



Thermoschalter
Thermoswitches
Thermocontact

FIAT

**Motor
Engine
Moteur**

**Ltr.
Ltr.
Ltr.**

**Jahr
Year
Année**

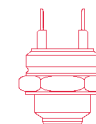
**Einschränkung
Restriction*
Restriction***

**Thermoschalter
Thermoswitches
Thermocontact**

X 1/9 (128 AS)

1.3	128 AS.000	1.3	1975.10 - 1978.06		6010.92D
1.3 Exclusiv Serie	128 AS.000	1.3	1973.05 - 1979.12		6010.92D
1.5 Five Speed	138 AS.000, 138 BS.031	1.5	1978.11 - 1989.12		6010.92D

Thermoschalter
Thermoswitches
Thermocontact



FORD

	Motor Engine Moteur	Ltr. Ltr. Ltr.	Jahr Year Année	Einschränkung Restriction* Restriction*	Thermoschalter Thermoswitches Thermocontact
ESCORT III / IV 1980 --> 1990					
1.1	GLB, GMA, GPA, GSE, GSG	1.1	1980.09 - 1990.07		6010.95D
1.3	JBB, JLA, JLB, JPA	1.3	1980.09 - 1990.07		6010.95D
1.4	F6B, F6D, FUA, FUC	1.4	1986.01 - 1990.07		6010.88D
1.6	LP1, LPA, LUA, LUG	1.6	1980.09 - 1990.07		6010.95D
1.6 i	L4B, LJB	1.6	1985.07 - 1990.07		6010.95D
ESCORT V / VI / VII / Classic 1990 -->					
RS 2000	N7A	2.0	1995.02 - 1998.10		6010.95D
GALAXY					
1.9 TDI	1Z, AFN, AHU, ANU, ASZ, AUY, AVG	1.9	1995.03 - 2006.05		6037.95D
2.8 V6	AYL	2.8	2000.04 - 2006.05		6037.95D
2.8 i V6	AAA, AMY	2.8	1995.11 - 2000.04		6037.95D
SIERRA					
1.6	LCS, LCT, LSD, LSE, LSF	1.6	1982.08 - 1993.02		6010.88D
1.6 i	L6B	1.6	1989.10 - 1993.02		6010.88D
1.8	R2A, R2C, R6A, REB, RED, REF	1.8	1984.10 - 1993.02		6010.88D
1.8 TD	RFA, RFB, RFL	1.8	1988.08 - 1993.02		6010.88D
2.0	N8C, N9C, NES, NET, NR2, NRB, NRD, NYT	2.0	1982.08 - 1993.02		6010.88D
2.0 16V Cosworth	N5C, N5D	2.0	1990.01 - 1993.02		6010.88D
2.0 i	N4A, N4B, N4I, N8A, N9B, N9C, NE5, NEJ, NR2, NRB	2.0	1985.03 - 1993.02		6010.88D
2.0 RS Cosworth	N5B	2.0	1987.11 - 1990.01		6010.88D
2.3	YYT	2.3	1982.08 - 1986.12		6010.88D
2.3 D	YTR, YTT	2.3	1982.08 - 1993.02		6010.88D
2.8	PRG	2.8	1987.01 - 1988.08		6010.88D
2.8 i XR	PRG	2.8	1987.01 - 1988.08		6010.88D
2.8 XR	PRT	2.8	1985.02 - 1986.12		6010.88D
2.8 XR4i	PR6, PRT	2.8	1982.08 - 1986.12		6010.88D
2.9	B4B, B4C	2.9	1988.08 - 1993.02		6010.88D
2.9 i	B4B, B4C	2.9	1988.08 - 1993.02		6010.88D
2.9 i XR	B4A, B4B, B4C	2.9	1988.08 - 1993.02		6010.88D



Thermoschalter
Thermoswitches
Thermocontact

INNOCENTI

Motor
Engine
Moteur

Ltr.
Ltr.
Ltr.

Jahr
Year
Année

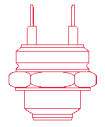
Einschränkung
Restriction*
Restriction*

Thermoschalter
Thermoswitches
Thermocontact

MINI

0.55	Daihatsu-EB	0.6	1987.01 - 1991.12		6010.92D
0.65		0.7	1984.01 - 1995.01		6010.92D
1.0	BLM C 99 H	1.0	1974.05 - 1991.10		6010.92D
1.3	BLM C 12 H	1.3	1976.08 - 1982.02		6010.92D
1.3 De Tomaso	BLM C 12 HH	1.3	1976.08 - 1982.02		6010.92D

Thermoschalter
Thermoswitches
Thermocontact



JAGUAR

	Motor Engine Moteur	Ltr. Ltr. Ltr.	Jahr Year Année	Einschränkung Restriction* Restriction*	Thermoschalter Thermoswitches Thermocontact
XJ					
12 5.3	V 12 (75-79)	5.3	1972.06 - 1989.09		6010.92D
12 H.E.	V 12 (82-90)	5.3	1981.09 - 1992.12		6010.92D
Sovereign V12	7P, V 12 (90-93, 197KW)	5.3	1985.07 - 1992.12		6010.92D
XJS / XJSC					
5.3	8C (88-92), 8S (92-93), V 12 (90-93, 197KW), V 12 (90-93, 211KW)	5.3	1975.09 - 1993.08		6010.92D
5.3 H.E.	8S (86-88), V 12 (82-90)	5.3	1981.07 - 1992.05		6010.92D

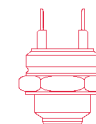


Thermoschalter
Thermoswitches
Thermocontact

LADA

	Motor Engine Moteur	Ltr. Ltr. Ltr.	Jahr Year Année	Einschränkung Restriction* Restriction*	Thermoschalter Thermoswitches Thermocontact
1200 / 1300 / 1500 / 1600					
1200	BA3 2101	1.2	1970.01 - 1986.06		6010.92D
1300	BA3 21011, BA3 2105	1.3	1974.08 - 1987.01		6010.92D
1500	BA3 2103	1.4	1972.09 - 1986.10		6010.92D
1600	BA3 2106	1.6	1972.09 - 1986.10		6010.92D
NIVA (2121)					
1600	BA3 2121	1.6	1976.12 - 1995.03		6010.92D
1700 i	BA3 21214	1.7	1996.06 -		6010.92D
NOVA					
1300	BA3 2105	1.3	1985.09 - 1990.12		6010.92D
1500	BA3 2103, BA3 2103 (KAT)	1.4	1985.03 - 1993.02		6010.92D
1600	BA3 2106	1.6	1988.01 -		6010.92D
1700		1.7	1994.08 -		6010.92D
1700 i		1.7	1996.06 -		6010.92D
SAMARA (2108, 2109)					
1100	BA3 21081, BA3 21081 (KAT)	1.1	1988.02 - 1994.12		6010.92D
1300	BA3 2108, BA3 2108 (KAT), BA3 21115	1.3	1986.01 - 1994.12		6010.92D
1500	BA3 21083, BA3 21083 (KAT), BA3 2111	1.5	1988.01 -		6010.92D
SAMARA FORMA					
1100	BA3 21081 (KAT)	1.1	1991.07 -		6010.92D
1300	BA3 2108	1.3	1989.05 - 1997.07		6010.92D
1500	BA3 21083, BA3 21083 (KAT), BA3 2111	1.5	1991.07 -		6010.92D

Thermoschalter
Thermoswitches
Thermocontact



LANCIA

	Motor Engine Moteur	Ltr. Ltr. Ltr.	Jahr Year Année	Einschränkung Restriction* Restriction*	Thermoschalter Thermoswitches Thermocontact
BETA (828)					
1300	828 D3.000	1.4	1981.12 - 1984.12		6010.88D
1600	828 B.000	1.6	1973.08 - 1984.12		6010.88D
2000	828 B1.000	2.0	1976.04 - 1986.10	828 B1.000	6010.88D
2000 i.e.	828 B4.000	2.0	1981.05 - 1984.12	828 B4.000	6010.88D
2000 Volumex		2.0	1983.07 - 1984.09		6010.88D
2000 VX		2.0	1983.07 - 1984.12		6010.88D
DEDRA (835)					
1.6	159 B9.000	1.6	1994.10 - 1999.07 1994.10 - 1999.07	ohne Klimaanlage mit Klimaanlage	6031.92D 6035.92D
1.6 16V	182 A4.000	1.6	1996.01 - 1999.07 1996.01 - 1999.07	ohne Klimaanlage mit Klimaanlage	6031.92D 6035.92D
1.6 i.e.	835 A1.000, 835 A1.046, 835 C1.000	1.6	1989.08 - 1999.07	ohne Klimaanlage	6031.92D
1.6 LE	159 B9.000	1.6	1994.07 - 1999.07 1994.07 - 1999.07	ohne Klimaanlage mit Klimaanlage	6031.92D 6035.92D
1.8 16V LE	182 A2.000	1.8	1996.03 - 1999.07 1996.03 - 1999.07	ohne Klimaanlage mit Klimaanlage	6031.92D 6035.92D
1.8 GT 16V	183 A1.000	1.8	1996.03 - 1999.07 1996.03 - 1999.07	ohne Klimaanlage mit Klimaanlage	6031.92D 6035.92D
1.8 i.e.	835 A2.000, 835 A2.046, 835 C5.000, 836 A5.000	1.8	1989.09 - 1999.07 1989.09 - 1999.07	ohne Klimaanlage Schaltgetriebe ohne Klimaanlage Automatikgetriebe	6031.92D 6035.92D
2.0 Integrale	836 A3.000	2.0	1994.07 - 1999.07 1994.07 - 1999.07	ohne Klimaanlage mit Klimaanlage	6031.92D 6035.92D
2.0 16V	836 A3.000	2.0	1994.07 - 1999.07 1994.07 - 1999.07	ohne Klimaanlage mit Klimaanlage	6031.92D 6035.92D
2.0 HF Integrale	835 A7.046	2.0	1990.11 - 1994.07 1990.11 - 1994.07	ohne Klimaanlage mit Klimaanlage	6031.92D 6035.92D
2.0 i.e.	835 A5.000, 835 A5.046	2.0	1989.09 - 1999.07 1989.09 - 1999.07	ohne Klimaanlage Schaltgetriebe ohne Klimaanlage Automatikgetriebe	6031.92D 6035.92D
2.0 i.e. Turbo	835 A8.046	2.0	1991.04 - 1999.07 1991.04 - 1999.07	ohne Klimaanlage mit Klimaanlage	6031.92D 6035.92D
2.0 i.e. Turbo Integrale	835 A7.000	2.0	1990.05 - 1994.07 1990.05 - 1994.07	ohne Klimaanlage mit Klimaanlage	6031.92D 6035.92D
2.0 Turbo	835 A8.000	2.0	1990.11 - 1994.06 1990.11 - 1994.06	ohne Klimaanlage mit Klimaanlage	6031.92D 6035.92D
DELTA I (831AB0)					
1.3	831 A2.000, 831 B.000	1.3	1979.09 - 1992.08		6010.88D
1.5	831 A1.000, 831 B1.000	1.5	1979.09 - 1992.12		6010.88D
1.6 GT i.e.	149 C2.000, 831 B7.000	1.6	1987.05 - 1992.08 1986.08 - 1988.08		6010.95D 6017.85D
1.6 HF Turbo	831 B3.000, 831 B7.046	1.6	1986.08 - 1993.05		6017.85D
1.9 Turbo DS	831 D1.000	1.9	1986.10 - 1989.12		6017.85D
2.0 16V HF Evo Integrale	831 E5.000, 831 E5.046	2.0	1993.06 - 1994.01		6017.85D
2.0 16V HF Integrale	831 D5.000	2.0	1989.03 - 1991.09		6017.85D
2.0 HF Integrale	831 B5.000, 831 C5.000, 831 C5.046	2.0	1986.11 - 1992.12		6017.85D
DELTA II (836)					
1.4 i.e. (836AF, 836AH)	160 A1.046, 836 A4.000	1.4	1994.10 - 1999.08		6035.92D
1.6 i.e. (836AD)	835 C1.000	1.6	1993.06 - 1999.08		6035.92D

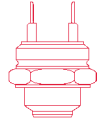


Thermoschalter
Thermoswitches
Thermocontact

LANCIA

	Motor Engine Moteur	Ltr. Ltr. Ltr.	Jahr Year Année	Einschränkung Restriction* Restriction*	Thermoschalter Thermoswitches Thermocontact
1.6 i.e. (836AP)	182 A6.000	1.6	1996.03 - 1999.08 1996.03 - 1999.08	ohne Klimaanlage mit Klimaanlage	6031.92D 6035.92D
1.6 i.e. 16V (836AO)	182 A4.000	1.6	1996.01 - 1999.08 1996.01 - 1999.08	ohne Klimaanlage mit Klimaanlage	6031.92D 6035.92D
1.8 i.e. (836AE)	835 C2.000	1.8	1993.06 - 1999.08 1993.06 - 1999.08	ohne Klimaanlage mit Klimaanlage	6031.92D 6035.92D
1.8 i.e. (836AG, 836AL)	835 C4.000, 836 A6.000, 836 C4.000	1.8	1994.07 - 1999.08 1994.07 - 1999.08	ohne Klimaanlage mit Klimaanlage	6031.92D 6035.92D
1.8 i.e. 16V (836AQ)	182 A2.000	1.8	1996.03 - 1999.08 1996.03 - 1999.08	ohne Klimaanlage mit Klimaanlage	6031.92D 6035.92D
1.8 i.e. 16V GT (836AR)	183 A1.000	1.8	1996.03 - 1999.08 1996.03 - 1999.08	ohne Klimaanlage mit Klimaanlage	6031.92D 6035.92D
2.0 16V (836AA, 836CA)	836 A3.000	2.0	1993.06 - 1999.08 1993.06 - 1999.08	ohne Klimaanlage mit Klimaanlage	6031.92D 6035.92D
2.0 16V Turbo (836AB)	836 A2.000	2.0	1993.06 - 1999.08 1993.06 - 1995.12	ohne Klimaanlage mit Klimaanlage	6031.92D 6035.92D
2.0 16V Turbo (836AS)	175 A4.000	2.0	1996.07 - 1999.08	ohne Klimaanlage	6031.92D
FULVIA					
1.3		1.3	1968.09 - 1975.07		6010.88D
PRISMA (831AB0)					
1.3	831 A2.000	1.3	1983.01 - 1992.02		6010.88D
1.5	138 C2.048, 831 A1.000, 831 B1.000, 831 B1.048	1.5	1983.01 - 1992.02		6010.88D
1.6	831 B6.000	1.6	1986.08 - 1992.02		6010.88D
1.6 i.e.	831 B7.000	1.6	1986.05 - 1989.12		6010.88D
1.6 i.e. Super	149 C2.000	1.6	1987.05 - 1989.12		6010.88D
THEMA (834)					
2000 16V (834FA)	834 F1.000	2.0	1992.05 - 1994.07		6010.88D
2000 16V Turbo (834AC)	834 C1.000	2.0	1988.12 - 1990.06		6010.88D
2000 16V Turbo (834GC, 834FC)	834 F2.000	2.0	1992.10 - 1994.07		6010.88D
2000 i.e.	834 B.048	2.0	1986.03 - 1988.09		6010.88D
2000 i.e. (834B)	834 B.000	2.0	1984.11 - 1988.09		6010.88D
2000 i.e. (834BV)	834 B.146	2.0	1987.09 - 1992.05		6010.88D
2000 i.e. 16V (834AI)	834 B2.246	2.0	1989.02 - 1992.05		6010.88D
2000 i.e. 16V Turbo (834AL)	834 C1.246	2.0	1989.04 - 1993.03		6010.88D
2000 i.e. Turbo (834C)	834 C.000	2.0	1984.11 - 1987.12		6010.88D
2000 i.e. Turbo (834CV)	834 C.146	2.0	1986.07 - 1990.05		6010.88D
2000 Turbo	834 C.146	2.0	1989.01 - 1992.03		6010.88D
2000 Turbo 16V (834GC, 834FC)	834 F2.000	2.0	1992.11 - 1994.07		6010.88D
2500 Turbo D (834D)	8144.91	2.4	1984.11 - 1988.09		6010.85D
2500 Turbo DS (834AE)	8144.97	2.5	1988.06 - 1992.05		6010.85D
2500 Turbo DS (834AM)	8144.97S	2.5	1988.05 - 1992.07		6010.85D
2500 Turbo DS (834D)	8144.91	2.4	1987.03 - 1990.09		6010.85D
2500 Turbo DS (834FE, 834LE)	8144.97 Y	2.5	1992.05 - 1994.07		6010.85D
2850 V6 i.e. (834AD, 834CD, 834BD)	834 E.146	2.8	1988.06 - 1992.05		6017.85D
2850 V6 i.e. (834F)	834 E.000	2.8	1984.11 - 1988.09		6017.85D
TREVI (828DB)					
2000 i.e.	828 B4.000	2.0	1980.05 - 1987.01		6010.88D
2000 Volumex (828DB17)	828 B7.000	2.0	1983.08 - 1985.05		6010.88D
Y10 (156)					
1.0 Fire	156 A 2.000, 156 A 2.100, 156 A.000, 156 A2.246	1.0	1985.03 - 1992.02		6031.92D
1.0 Turbo	156 A 1.000	1.0	1985.03 - 1989.02		6031.92D

Thermoschalter
Thermoswitches
Thermocontact



LANCIA

	Motor Engine Moteur	Ltr. Ltr. Ltr.	Jahr Year Année	Einschränkung Restriction* Restriction*	Thermoschalter Thermoswitches Thermocontact
1.1 Avenue	176 B2.000	1.1	1995.01 - 1995.12 1995.01 - 1995.12	ohne Klimaanlage mit Klimaanlage	6031.92D 6035.92D
1.1 i.e	156 C.000	1.1	1989.08 - 1992.06		6031.92D
1.1 i.e. Fire	156 C.046	1.1	1989.07 - 1995.12 1989.07 - 1995.12	ohne Klimaanlage mit Klimaanlage	6031.92D 6035.92D
1.3 i.e. Fire	146 A 5.046, 156 B.000	1.3	1987.11 - 1991.12		6031.92D

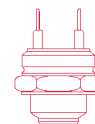


Thermoschalter
Thermoswitches
Thermocontact

OPEL

	Motor Engine Moteur	Ltr. Ltr. Ltr.	Jahr Year Année	Einschränkung Restriction* Restriction*	Thermoschalter Thermoswitches Thermocontact
ASCONA C					
1.3 N	13 N	1.3	1981.09 - 1986.08		6010.95D
1.3 S	13 S	1.3	1981.09 - 1988.08		6010.95D
1.6	16 N, 16 SV	1.6	1981.09 - 1988.08		6010.95D
1.6 i	C 16 LZ, C 16 NZ, E 16 NZ	1.6	1986.09 - 1988.08		6010.95D
1.6 S	16 SH	1.6	1981.09 - 1986.08		6010.95D
1.8	E 18 NV	1.8	1987.09 - 1988.08		6010.95D
1.8 E	C 18 NE, S 18 NV	1.8	1985.01 - 1986.08		6010.95D
1.8 i	18 E	1.8	1982.09 - 1986.08		6010.95D
2.0 i	20 NE, C 20 NE, C 20 NEF	2.0	1986.09 - 1988.08		6010.95D
2.0 i GT	20 SEH	2.0	1987.03 - 1988.08		6010.95D
ASTRA F					
1.4	14 SE	1.4	1992.09 - 1998.01	mit Klimaanlage	6031.100D
			1992.09 - 1998.01	mit Klimaanlage	6031.88D
1.4 i	C 14 NZ	1.4	1991.09 - 1999.01	mit Klimaanlage	6031.100D
			1991.09 - 1999.01	mit Klimaanlage	6031.88D
1.4 i 16V	X 14 XE	1.4	1996.01 - 2001.03	mit Klimaanlage	6031.100D
			1996.01 - 2001.03	mit Klimaanlage	6031.88D
1.4 Si	C 14 SE	1.4	1992.03 - 2001.03	mit Klimaanlage	6031.100D
			1992.03 - 2001.03	mit Klimaanlage	6031.88D
1.6	16 LZ2, 16 NZR	1.6	1995.09 - 1998.01	mit Klimaanlage	6031.100D
			1995.09 - 1998.01	mit Klimaanlage	6031.88D
1.6 i	C 16 NZ, X 16 SZ, X 16 SZR	1.6	1991.09 - 2001.03	mit Klimaanlage	6031.100D
			1991.09 - 2001.03	mit Klimaanlage	6031.88D
1.6 i 16V	X 16 XEL	1.6	1994.08 - 1998.09	mit Klimaanlage	6031.100D
			1994.08 - 1998.09	mit Klimaanlage	6031.88D
1.6 Si	C 16 SE	1.6	1992.03 - 1994.12	mit Klimaanlage	6031.100D
			1992.03 - 1994.12	mit Klimaanlage	6031.88D
1.8 i	C 18 NZ	1.8	1991.09 - 1998.09	mit Klimaanlage	6031.100D
			1991.09 - 1998.09	mit Klimaanlage	6031.88D
1.8 i 16V	C 18 XE, C 18 XEL, X 18 XE	1.8	1993.06 - 2001.03	mit Klimaanlage	6031.100D
			1993.06 - 2001.03	mit Klimaanlage	6031.88D
2.0 GSI 16V	C 20 XE	2.0	1991.09 - 1998.01	mit Klimaanlage	6031.100D
			1991.09 - 1998.01	mit Klimaanlage	6031.88D
2.0 i	C 20 NE	2.0	1991.09 - 1998.09	mit Klimaanlage	6031.100D
			1991.09 - 1998.09	mit Klimaanlage	6031.88D
2.0 i 16V	C 20 XE, X 20 XEV	2.0	1993.03 - 1998.09	mit Klimaanlage	6031.100D
			1993.03 - 1998.09	mit Klimaanlage	6031.88D
CALIBRA A					
2.0 i	C 20 NE	2.0	1990.06 - 1997.07	mit Klimaanlage	6031.100D
			1990.06 - 1997.07	mit Klimaanlage	6031.88D
2.0 i 16V	C 20 XE, X 20 XEV	2.0	1990.06 - 1994.02	mit Klimaanlage	6031.100D
			1990.06 - 1997.07	mit Klimaanlage	6031.88D
2.0 i Turbo	C 20 LET	2.0	1992.03 - 1997.07	mit Klimaanlage	6031.100D
COMBO					
1.2	C 12 NZ, X 12 SZ	1.2	1994.07 - 2001.10		6031.100D
1.4	C 14 NZ, C 14 SE, X 14 SZ	1.4	1994.07 - 2001.10		6031.100D
1.4 16V	X 14 XE	1.4	1999.08 - 2001.10		6031.100D
CORSA A					
1.0	10 S	1.0	1982.09 - 1993.03	Chassis No →J4999999	6010.95D
			1982.09 - 1993.03	Chassis No K4000001→	6031.100D

Thermoschalter
Thermoswitches
Thermocontact



OPEL	Motor Engine Moteur	Ltr. Ltr. Ltr.	Jahr Year Année	Einschränkung Restriction* Restriction*	Thermoschalter Thermoswitches Thermocontact
1.2	12 NC, 12 ST, E 12 GV	1.2	1982.09 - 1990.08	Chassis No →J4999999	6010.95D
			1982.09 - 1990.08	Chassis No K4000001→	6031.100D
1.2 i	C 12 NZ	1.2	1989.09 - 1993.03	Chassis No →J4999999	6010.95D
			1989.09 - 1993.03	Chassis No K4000001→	6031.100D
1.2 N	12 NC, 12 NV, E 12 GV	1.2	1985.01 - 1993.03	Chassis No →J4999999	6010.95D
			1985.01 - 1993.03	Chassis No K4000001→	6031.100D
1.2 S	12 S, 12 ST	1.2	1982.09 - 1993.03	Chassis No →J4999999	6010.95D
			1982.09 - 1993.03	Chassis No K4000001→	6031.100D
1.3	13 NB, 13 SB, C 13 N	1.3	1985.09 - 1989.10	Chassis No →J4999999	6010.95D
			1985.09 - 1989.10	Chassis No K4000001→	6031.100D
1.3 i	C 13 N	1.3	1986.09 - 1990.09	Chassis No →J4999999	6010.95D
			1986.09 - 1990.09	Chassis No K4000001→	6031.100D
1.3 S	13 SB	1.3	1982.09 - 1989.10	Chassis No →J4999999	6010.95D
			1982.09 - 1989.10	Chassis No K4000001→	6031.100D
1.4 i	C 14 NZ	1.4	1985.01 - 1993.03	Chassis No →J4999999	6010.95D
			1985.01 - 1993.03	Chassis No K4000001→	6031.100D
1.4 S	14 NV	1.4	1989.09 - 1993.03	Chassis No →J4999999	6010.95D
			1989.09 - 1993.03	Chassis No K4000001→	6031.100D
1.4 Si	C 14 SE	1.4	1991.09 - 1993.03	Chassis No →J4999999	6010.95D
			1991.09 - 1993.03	Chassis No K4000001→	6031.100D
1.6 GSI	C 16 NZ, C 16 SE, C 16 SEI, E 16 SE	1.6	1988.05 - 1993.03	Chassis No →J4999999	6010.95D
			1988.05 - 1993.03	Chassis No K4000001→	6031.100D
CORSA B					
1.0 i 12V	X 10 XE	1.0	1996.11 - 2000.09		6031.100D
1.2 i	12 NZ, C 12 NZ, X 12 SZ	1.2	1993.03 - 2000.09		6031.100D
1.2 i 16V	X 12 XE	1.2	1998.03 - 2000.09		6031.100D
1.4	C 14 SE	1.4	1993.04 - 1994.08		6031.100D
1.4 i	C 14 NZ, X 14 SZ	1.4	1993.03 - 2000.09		6031.100D
1.4 i 16V	C 14 SEL, X 14 XE	1.4	1994.09 - 2000.09		6031.100D
1.4 Si	C 14 SE	1.4	1993.03 - 2000.09		6031.100D
1.6 GSI 16V	C 16 XE	1.6	1993.03 - 2000.09		6031.100D
1.6 i 16V	C 16 SEL, X 16 XE	1.6	1994.09 - 2000.09		6031.100D
KADETT D					
1.0	10 N, 10 S	1.0	1979.09 - 1984.08		6010.100D
1.2	12 N, 12 ST	1.2	1979.08 - 1984.08		6010.100D



Thermoschalter
Thermoswitches
Thermocontact

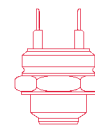
OPEL

	Motor Engine Moteur	Ltr. Ltr. Ltr.	Jahr Year Année	Einschränkung Restriction* Restriction*	Thermoschalter Thermoswitches Thermocontact
1.2 S	12 S	1.2	1979.08 - 1984.08		6010.100D
1.3 N	13 N, C 13 N	1.3	1979.08 - 1984.08		6010.100D
1.3 S	13 S	1.3	1979.08 - 1984.08		6010.100D
1.6		1.6	1979.09 - 1984.08		6010.100D
1.6 D	16 D	1.6	1982.03 - 1984.08		6010.100D
1.6 S	16 SH	1.6	1981.09 - 1984.08		6010.100D
1.8 GT/E	18 E	1.8	1983.02 - 1984.08		6010.95D

KADETT E

1.2	12 SC	1.2	1984.09 - 1986.07	Chassis No →J2791967 →J5273427	6010.95D
			1984.09 - 1986.07	Chassis No J2791968→ J5273428→	6031.100D
1.3 i	C 13 N	1.3	1985.09 - 1991.08	Chassis No →J2791967 →J5273427	6010.95D
			1985.09 - 1991.08	Chassis No J2791968→ J5273428→	6031.100D
1.3 N	13 N, 13 NB	1.3	1984.09 - 1991.08	Chassis No →J2791967 →J5273427	6010.95D
			1984.09 - 1991.08	Chassis No J2791968→ J5273428→	6031.100D
1.3 S	13 S	1.3	1984.09 - 1993.02	Chassis No →J2791967 →J5273427	6010.95D
			1984.09 - 1993.02	Chassis No J2791968→ J5273428→	6031.100D
1.4 i	C 14 NZ	1.4	1990.01 - 1994.07		6031.100D
1.4 S	14 NV	1.4	1989.07 - 1993.02		6031.100D
1.6	16 SV	1.6	1986.09 - 1991.12	Chassis No →J2791967 →J5273427	6010.95D
			1986.09 - 1991.12	Chassis No J2791968→ J5273428→	6031.100D
1.6 D	16 D, 16 DA	1.6	1984.08 - 1989.12	Chassis No →JE222258 →J2791967	6010.95D
1.6 i	16 SV, C 16 LZ, C 16 NZ, E 16 NZ	1.6	1986.09 - 1993.02	Chassis No →J2791967 →J5273427	6010.95D
			1986.09 - 1994.07	Chassis No J2791968→ J5273428→	6031.100D
1.6 S	16 SH, 16 SV	1.6	1984.09 - 1991.08	Chassis No →J2791967 →J5273427	6010.95D
			1986.09 - 1991.08	Chassis No J2791968→ J5273428→	6031.100D

Thermoschalter
Thermoswitches
Thermocontact



OPEL

	Motor Engine Moteur	Ltr. Ltr. Ltr.	Jahr Year Année	Einschränkung Restriction* Restriction*	Thermoschalter Thermoswitches Thermocontact
1.8	18 E	1.8	1987.09 - 1990.08	Chassis No →J2791967 →J5273427	6010.95D
			1987.09 - 1990.08	Chassis No J2791968→ J5273428→	6031.100D
1.8 E	C 18 NE	1.8	1985.10 - 1986.08		6010.95D
1.8 GSI	18 E	1.8	1984.09 - 1986.08		6010.95D
1.8 i	18 E, C 18 NE	1.8	1984.09 - 1986.08	Chassis No →J2791967 →J5273427	6010.95D
			1984.09 - 1986.08	Chassis No J2791968→ J5273428→	6031.100D
1.8 S	E 18 NV, S 18 NV	1.8	1987.09 - 1991.08	Chassis No →J2791967 →J5273427	6010.95D
			1987.09 - 1991.08	Chassis No J2791968→ J5273428→	6031.100D
OMEGA A					
1.8	18 SEH, E 18 NVR	1.8	1986.09 - 1994.03	Chassis No →P1132203	6010.95D
			1986.09 - 1994.03	Chassis No P1132204→	6031.105D
1.8 N	18 NV	1.8	1986.09 - 1987.08		6010.95D
1.8 S	18 SV	1.8	1986.09 - 1994.03	Chassis No →P1132203	6010.95D
			1986.09 - 1994.03	Chassis No P1132204→	6031.105D
2.0	20 SE, C 20 NEF, C 20 NEJ	2.0	1986.09 - 1994.03	Chassis No →P1132203	6010.95D
			1986.09 - 1994.03	Chassis No P1132204→	6031.105D
2.0 i	C 20 NE, C 20 NEJ	2.0	1986.09 - 1994.03	Chassis No →P1132203	6010.95D
			1986.09 - 1994.03	Chassis No P1132204→	6031.105D
2.3 D	23 YD	2.3	1986.09 - 1994.03	Chassis No →K1000098	6010.95D
			1986.09 - 1994.03	Chassis No K1000099→	6031.105D
2.3 TD	23 YDT	2.3	1986.09 - 1988.08	Chassis No →K1000098	6010.95D
			1986.09 - 1988.08	Chassis No K1000099→	6031.105D
2.3 TD Interc.	23 DTR	2.3	1988.08 - 1994.03	Chassis No →K1000098	6010.95D
			1988.08 - 1994.03	Chassis No K1000099→	6031.105D
2.4 i	C 24 NE	2.4	1988.09 - 1994.03	Chassis No →P1132203	6010.95D
			1988.09 - 1994.03	Chassis No P1132204→	6031.105D
2.6 i	C 26 NE	2.6	1990.09 - 1994.03	Chassis No →P1132203	6010.95D
			1990.09 - 1994.03	Chassis No P1132204→	6031.105D

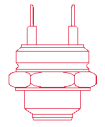


Thermoschalter
Thermoswitches
Thermocontact

OPEL

	Motor Engine Moteur	Ltr. Ltr. Ltr.	Jahr Year Année	Einschränkung Restriction* Restriction*	Thermoschalter Thermoswitches Thermocontact
3.0 (3000)	C 30 LE	3.0	1987.03 - 1987.12		6010.95D
3.0 24V	C 30 SEJ	3.0	1989.09 - 1994.03	Chassis No →P1132203	6010.95D
			1989.09 - 1994.03	Chassis No P1132204→	6031.105D
3.0 24V (3000)	C 30 SE	3.0	1989.09 - 1994.03	Chassis No →P1132203	6010.95D
			1989.09 - 1994.03	Chassis No P1132204→	6031.105D
OMEGA B					
2.0	20 SE, X 20 SE	2.0	1994.03 - 2000.12	mit Klimaanlage	6031.100D
2.0 16V	X 20 XEV	2.0	1994.03 - 1999.09	mit Klimaanlage	6031.100D
2.2 16V	Y 22 XE, Z 22 XE	2.2	1999.09 - 2003.07	mit Klimaanlage	6031.100D
2.5 V6	X 25 XE	2.5	1994.03 - 2000.09	ohne Klimaanlage Chassis No R1000001→ →T1003097	6031.100D
			1994.03 - 2000.09	ohne Klimaanlage Chassis No T1003098→	6031.105D
3.0 V6	X 30 XE	3.0	1994.04 - 2001.02	ohne Klimaanlage Chassis No R1000001→ →T1003097	6031.100D
			1994.04 - 2001.02	ohne Klimaanlage Chassis No T1003098→	6031.105D
SENATOR					
2.5 i	25 NE	2.5	1990.09 - 1993.09	Chassis No →0053435	6010.95D
			1990.09 - 1993.09	Chassis No 0053436→	6031.105D
3.0	30 NE	3.0	1988.01 - 1990.09	Chassis No →0109241	6010.95D
			1988.01 - 1990.09	Chassis No 0109242→	6031.105D
3.0 i	C 30 NE	3.0	1988.01 - 1993.09	Chassis No →0011334	6010.95D
			1988.01 - 1993.09	Chassis No 0011335→	6031.105D
SINTRA					
2.2 DTI	X 22 DTH	2.2	1997.07 - 1999.04		6031.105D
2.2 i 16V	X 22 XE	2.2	1996.11 - 1999.04		6031.105D
3.0 i 24V	X 30 XE	3.0	1996.11 - 1999.04		6031.105D
TIGRA					
1.4 16V	X 14 XE	1.4	1994.07 - 2000.12		6031.100D
1.6 16V	C 16 SEL, X 16 XE	1.6	1994.07 - 1998.08		6031.100D
VECTRA A					
1.4 S	14 NV	1.4	1988.04 - 1992.06	Chassis No →KV999999 →K5999999 →L1000123	6031.100D

Thermoschalter
Thermoswitches
Thermocontact



OPEL

	Motor Engine Moteur	Ltr. Ltr. Ltr.	Jahr Year Année	Einschränkung Restriction* Restriction*	Thermoschalter Thermoswitches Thermocontact
1.6	16 SV	1.6	1988.09 - 1993.05	Chassis No →KV999999 →K5999999 →L1000123	6031.100D
1.6 i	C 16 NZ, C 16 NZ2, E 16 NZ	1.6	1988.09 - 1995.11	C16 NZ, E 16 NZ Chassis No →KV999999 →K5999999 →L1000123	6031.100D
1.6 S	16 SV	1.6	1988.09 - 1993.05	Chassis No →KV999999 →K5999999 →L1000123	6031.100D
1.8 i	18 SV	1.8	1988.09 - 1990.10	Chassis No →KV999999 →K5999999 →L1000123	6031.100D
1.8 S	18 SV, E 18 NVR	1.8	1988.09 - 1990.10	Chassis No →KV999999 →K5999999 →L1000123	6031.100D
2.0	C 20 NEF	2.0	1988.04 - 1989.09	Chassis No →KV999999 →K5999999 →L1000123	6031.100D
2.0 i	20 NE, 20 SEH, C 20 NE	2.0	1988.09 - 1995.11	Chassis No →KV999999 →K5999999 →L1000123	6031.100D
2.0 i GT	20 SEH	2.0	1988.09 - 1995.11	Chassis No →KV999999 →K5999999 →L1000123	6031.100D
VECTRA B					
1.6 i	16 LZ2, X 16 SZR	1.6	1995.10 - 2003.07	ohne Klimaanlage	6031.100D
1.6 i 16V	X 16 XEL, Y 16 XE, Z 16 XE	1.6	1995.10 - 2002.07	ohne Klimaanlage	6031.100D

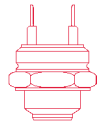


Thermoschalter
Thermoswitches
Thermocontact

PEUGEOT

	Motor Engine Moteur	Ltr. Ltr. Ltr.	Jahr Year Année	Einschränkung Restriction* Restriction*	Thermoschalter Thermoswitches Thermocontact
104					
0.9	108 (XV3), 108 (XV5)	0.9	1972.10 - 1983.10		6010.88D
1.0	108C (XV8)	1.0	1983.09 - 1988.06		6010.88D
1.1	109 (XW3)	1.1	1976.07 - 1982.08		6010.88D
205 I					
1.0	108C (XV8)	1.0	1983.02 - 1987.10		6010.88D
1.1	109F (XW7), 109N (XW7)	1.1	1983.02 - 1987.10		6010.88D
1.4	150B (XY8), 150D (XY7), 150G (XY7), 150H (XY8)	1.4	1983.02 - 1987.10		6010.88D
205 II					
1.1	H1B (TU1)	1.1	1987.10 - 1990.10		6010.88D
1.4		1.4	1987.06 - 1989.12		6010.92D
1.6		1.6	1987.10 - 1988.09		6010.92D
1.6 GTI		1.6	1987.10 - 1989.12		6010.92D
305					
1.3	118 (XL5), XL5	1.3	1977.11 - 1982.09 1977.11 - 1986.08		6010.88D 6010.92D
1.5	117 (XR5S), 142 (XR5), 142 (XR5A)	1.5	1979.11 - 1982.09 1982.10 - 1990.07		6010.88D 6010.92D
1.6	171 (XU5S), B1A (XU51C), BAZ (XU5CP)	1.6	1982.10 - 1988.12 1982.10 - 1988.06		6010.88D 6010.92D
309					
1.1	E1, HDZ (TU1M)	1.1	1990.08 - 1993.12 1985.10 - 1989.07		6010.88D 6010.95D
1.3	G1A	1.3	1985.10 - 1989.07		6010.95D
1.4	K1D (TU3A), KDY (TU3M), KDZ (TU3M)	1.4	1989.03 - 1993.12		6010.88D
1.6	180Z (XU5J), B1A (XU51C), B2A (XU52C/K), B6B (XU5J)	1.6	1989.07 - 1993.12 1985.10 - 1989.07		6010.92D 6010.95D
1.9	D2B (XU9S), DDZ (XU9M), DFZ (XU9J1)	1.9	1985.10 - 1989.07		6010.95D
1.9 D	162 (XUD9), D9A (XUD9)	1.9	1986.06 - 1989.07		6010.95D
1.9 GTI	D6B (XU9JA (G-KAT)), DKZ (XU9JAZ)	1.9	1986.10 - 1989.07		6010.95D
405 I					
1.9 Sport MI-16	D6C (XU9J4), DFW (XU9J4Z)	1.9	1987.07 - 1992.12		6010.92D
504					
1.6	XC7P	1.6	1980.01 - 1987.06		6010.82D
1.8	XM, XM7	1.8	1968.07 - 1989.12		6010.82D
1.8 Injection	KF5, KF6	1.8	1968.07 - 1971.02		6010.82D
2.0	106 (XN1), 107 (XN2), XN1	2.0	1971.04 - 1986.07 1971.03 - 1986.06 1971.03 - 1986.06		6010.82D 6010.88D 6010.92D
2.0 TI	107 (XN2)	2.0	1971.01 - 1983.06		6010.88D
505					
1.8	105 (XM7), 105C (XM7A)	1.8	1981.06 - 1985.10 1985.09 - 1986.10		6010.88D 6010.92D
2.0	106 (XN1), 106E (XN1A)	2.0	1980.11 - 1991.09		6010.88D
2.0 TI,STI	829 (ZEJ)	2.0	1979.08 - 1986.10		6010.95D
2.2	851X (ZDJL)	2.2	1986.03 - 1993.12		6010.95D

Thermoschalter
Thermoswitches
Thermocontact



PEUGEOT

	Motor Engine Moteur	Ltr. Ltr. Ltr.	Jahr Year Année	Einschränkung Restriction* Restriction*	Thermoschalter Thermoswitches Thermocontact
2.2 GTI	851B (ZDJL)	2.2	1985.09 - 1986.12 1983.08 - 1993.12		6010.88D 6010.92D
2.3 Turbo Diesel	147 (XD2S)	2.3	1980.09 - 1986.06		6010.88D
BOXER (230)					
2.0 i	RFW (XU10J2)	2.0	1994.03 - 2002.04 1994.03 - 2002.04	ohne Klimaanlage mit Klimaanlage	6031.92D 6035.92D
2.8 HDI	8140.43S (F28DTGR)	2.8	2000.11 - 2002.04	mit Klimaanlage	6035.92D



Thermoschalter
Thermoswitches
Thermocontact

PORSCHE

Motor
Engine
Moteur

Ltr.
Ltr.
Ltr.

Jahr
Year
Année

Einschränkung
Restriction*
Restriction*

Thermoschalter
Thermoswitches
Thermocontact

924

2.0	XJ, XK	2.0	1975.11 - 1989.08		6010.92D
2.0 Carrera GT	M 31.50	2.0	1980.06 - 1986.10		6010.92D
2.0 Turbo	M 31.01, M 31.03	2.0	1978.11 - 1986.10		6010.92D
2.5 S	M 44.01, M 44.03	2.5	1981.10 - 1984.12		6010.92D

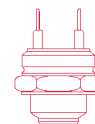
928

4.6 S	M 28.11, M 28.12, M 28.21, M 28.22	4.6	1979.09 - 1983.07 1983.08 - 1986.07		6010.85D 6010.92D
-------	---------------------------------------	-----	--	--	------------------------------------

944

2.5	M 44.01, M 44.02, M 44.03, M 44.04, M 44.05, M 44.06, M 44.07, M 44.08, M 44.09, M 44.10	2.5	1981.06 - 1990.12		6010.92D
2.5 S	M 44.40	2.5	1986.08 - 1988.07		6010.92D
2.5 Turbo	M 44.50, M 44.51, M 44.52	2.5	1985.08 - 1991.07		6017.95D

Thermoschalter
Thermoswitches
Thermocontact



RENAULT

	Motor Engine Moteur	Ltr. Ltr. Ltr.	Jahr Year Année	Einschränkung Restriction* Restriction*	Thermoschalter Thermoswitches Thermocontact
4					
0.8	800, 800 01, 800 705, B1B 707	0.8	1962.10 - 1989.07		6010.92D
1.1	688 711, 688 712, C1E 714, C1E 718, C1E 719	1.1	1976.10 - 1990.06 1982.07 - 1989.05		6010.92D 6010.95D
6					
0.8	800.02	0.8	1969.10 - 1980.04		6010.92D
1.1	688.10	1.1	1970.08 - 1987.04		6010.92D
12					
1.3	810-02/97	1.3	1969.10 - 1980.08		6010.92D
1.3 TS	810-06, 810.05	1.3	1972.08 - 1980.08		6010.92D
14					
1.2	129	1.2	1976.05 - 1983.12		6010.92D
1.4	150, X5J	1.4	1979.09 - 1983.12		6010.92D
16					
1.5		1.5	1965.09 - 1975.10		6010.92D
1.6	807, 807.04, 807.05, 821, 821.03, 821.04, 843, 843.01	1.6	1968.09 - 1980.08		6010.92D
18					
1.4	847 720, 847 722	1.4	1978.04 - 1986.07		6010.92D
1.6	841 717, 841 725, 841 726, A2M 723, A6M 725, A6M 726	1.6	1978.04 - 1986.07		6010.92D
1.6 Turbo	807 727, A5L 717, A5L 718	1.6	1980.10 - 1986.07		6010.92D
2.0	J6R 716	2.0	1981.10 - 1986.07		6010.92D
2.1 Diesel	852 710, J8S 711	2.1	1980.11 - 1986.07		6010.92D
20					
1.6	843, 843 720, 843 721	1.6	1975.10 - 1983.12		6010.92D
2.0	829 700, 829 701, 829 702, 829 703, 829.01	2.0	1977.10 - 1983.12		6010.92D
2.1 Diesel	852	2.1	1980.10 - 1983.12		6010.92D
2.2	851 700	2.2	1980.10 - 1983.12		6010.92D
21 Kombi					
1.7	F2N 710	1.7	1986.10 - 1988.12		6010.92D
2.0	J7R 750, J7R 751	2.0	1986.06 - 1988.12		6010.92D
25					
2.0	J6R 706, J6R 707, J6R 760, J6R 762, J6R 763, J7R 722, J7R 723	2.0	1984.04 - 1993.12		6010.92D
2.0 12V	J7R 726	2.0	1989.06 - 1992.12		6010.92D
2.1 Diesel	J8S 706, J8S 736	2.1	1984.04 - 1992.12		6010.92D
2.1 Turbo-D	J8S 708, J8S 738	2.1	1984.04 - 1992.12		6010.92D
2.2	J7T 706, J7T 707, J7T 708, J7T 714, J7T 715, J7T 730, J7T 731, J7T 732, J7T 733	2.2	1984.04 - 1992.12		6010.92D
2.4 V6 Turbo	Z7U 702	2.4	1984.10 - 1990.05		6010.92D
2.5 V6 Turbo	Z7U 700	2.5	1990.01 - 1992.12		6010.92D
2.7 V6 Injection	Z7V 708, Z7V 709, Z7V 711	2.7	1984.04 - 1989.08		6010.92D
2.8 V6	Z7W 700	2.8	1987.06 - 1990.02		6010.92D
2.8 V6 Injection	Z7W 702, Z7W 706, Z7W 707, Z7W 709	2.8	1986.06 - 1992.12		6010.92D

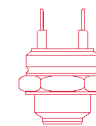


Thermoschalter
Thermoswitches
Thermocontact

RENAULT

	Motor Engine Moteur	Ltr. Ltr. Ltr.	Jahr Year Année	Einschränkung Restriction* Restriction*	Thermoschalter Thermoswitches Thermocontact
FUEGO					
1.4	847 720	1.4	1980.02 - 1985.10		6010.92D
1.6 TS/GTS	843 723, 843 724, A6M 725, A6M 726	1.6	1980.10 - 1985.10		6010.92D
1.6 Turbo	A5L 750	1.6	1983.08 - 1985.10		6010.92D
2.0 TX/GTX	829 710, J6R 710, J6R 712, J6R 713, J6R 715, J6R 726	2.0	1980.10 - 1985.10		6010.92D
TRAFIC (P6, T1, T3, T4, T5, T6, T7)					
1.6	841 705, A1M 707, A1M 708	1.6	1984.01 - 1986.06		6010.92D
1.7	F1N 724	1.7	1986.06 - 1989.04		6010.92D

Thermoschalter
Thermoswitches
Thermocontact



SAAB

	Motor Engine Moteur	Ltr. Ltr. Ltr.	Jahr Year Année	Einschränkung Restriction* Restriction*	Thermoschalter Thermoswitches Thermocontact
90					
2.0	B 20 I	2.0	1984.08 - 1987.08		6010.95D
99					
1.7		1.7	1968.08 - 1971.05		6010.88D
1.85		1.9	1970.10 - 1974.05		6010.88D
1.85 i		1.9	1971.10 - 1972.09		6010.88D
2.0	B 20 P, B20T	2.0	1972.10 - 1978.05		6010.88D
2.0 EMS	B 20 I	2.0	1972.04 - 1978.12		6010.88D
2.0 GL	B 20 C, B 20 I	2.0	1974.09 - 1984.12		6010.88D
2.0 Turbo		2.0	1977.10 - 1980.06		6010.88D
900 I					
2.0	B202I, B202S	2.0	1985.10 - 1989.09 1983.09 - 1993.10		6010.88D 6010.92D
2.0 -16	B202I, B202S	2.0	1989.01 - 1994.06		6010.92D
2.0 c	B 20, B201XC, B20T, BT 20	2.0	1978.09 - 1988.12		6010.92D
2.0 EMS	BI 20	2.0	1978.09 - 1980.12		6010.92D
2.0 i	B201, B201XI, BI 20	2.0	1980.11 - 1990.08		6010.92D
2.0 S Turbo-16	B202S	2.0	1991.07 - 1994.06		6010.92D
2.0 T8		2.0	1986.10 - 1989.09		6010.92D
2.0 Turbo	B201S, B201XL, BSI 20	2.0	1978.09 - 1991.12		6010.92D
2.0 Turbo-16	B202L, B202XL	2.0	1984.02 - 1994.06		6010.92D
2.0 Turbo-16 S	B202XL	2.0	1984.01 - 1993.12		6010.92D
2.1 16 S		2.1	1989.10 - 1992.07		6010.92D
9000					
2.0 -16	B202I, B202XI, B202XI (KAT)	2.0	1985.12 - 1993.01		6010.92D
2.0 -16 CD	B204E, B204I, B204S	2.0	1993.09 - 1998.12		6010.92D
2.0 -16 CS	B202I, B204I	2.0	1989.01 - 1998.12		6010.92D
2.0 -16 ND Turbo	B202S, B204E, B204S	2.0	1993.09 - 1998.12		6010.88D
2.0 -16 Turbo	B202, B202XL	2.0	1984.09 - 1993.08		6010.88D
2.0 -16 Turbo CD	B202L, B202S, B202XL, B204E	2.0	1988.09 - 1998.12		6010.88D
2.0 -16 Turbo CS	B202L	2.0	1988.09 - 1998.12		6010.88D



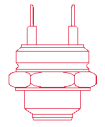
Thermoschalter
Thermoswitches
Thermocontact

SEAT

	Motor Engine Moteur	Ltr. Ltr. Ltr.	Jahr Year Année	Einschränkung Restriction* Restriction*	Thermoschalter Thermoswitches Thermocontact
131					
1.5		1.5	1982.03 - 1985.01		6010.85D
1.6	132 BB OA O	1.6	1982.03 - 1985.01		6010.85D
2.0	131 C4.000	2.0	1978.06 - 1985.12		6010.85D
2.4 Diesel	8144.61	2.4	1978.06 - 1986.12		6010.85D
ALHAMBRA					
1.8 T 20V	AJH, AWC	1.8	1997.10 - 2010.03		6037.95D
1.9 TDI	1Z, AFN, AHU, ANU, ASZ, AUY, AVG, BVK	1.9	1996.04 - 2010.03		6037.95D
2.0 i	ADY, ATM	2.0	1996.04 - 2010.03		6037.95D
2.8 V6	AUE, AYL	2.8	2000.06 - 2010.03		6037.95D
AROSA					
1.0	AER, ALD, ALL, ANV, AUC	1.0	1997.05 - 2004.06 1997.05 - 2004.06		6037.95D 6039.95D
1.4	AEX, AKK, AKV, ANW, APQ, AUD	1.4	1997.05 - 2004.06 1997.05 - 2004.06		6037.95D 6039.95D
1.4 16V	AFK, AQQ, AUB	1.4	2000.01 - 2004.06 2000.01 - 2004.06		6037.95D 6039.95D
1.7 SDI	AKU	1.7	1997.08 - 2004.06 1997.08 - 2004.06		6037.95D 6039.95D
CORDOBA (6K2/C2, 6K5)					
1.0	ALD, ANV, AST, AUC, AVZ	1.0	1999.05 - 2002.10		6037.95D
1.0 16V	AST, AVZ	1.0	2000.05 - 2002.10		6037.95D
1.0 i	AER	1.0	1996.09 - 1999.06		6037.95D
1.4	AKK, ANW, APE, AQQ, AUA, AUB, AUD	1.4	1997.12 - 2002.12		6037.95D
1.4 16V	APE, AQQ, AUA, AUB	1.4	1999.06 - 2002.12		6037.95D
1.4 i	ABD, AEX, AKV, ANX, APQ	1.4	1994.06 - 1999.06	Chassis No →6K-TR099000	6017.95D
			1994.06 - 1999.06	Chassis No →6K-T	6020.95D
			1994.06 - 1999.06	Chassis No 6K-TR099001→	6037.95D
1.4 i 16V	AFH	1.4	1996.09 - 1999.06		6037.95D
1.6	AEH, AKL, ALM, APF, AUR	1.6	1999.05 - 2002.12		6037.95D
1.6 i	1F, ABU, AEE, AFT, ALM	1.6	1993.02 - 1999.06	Chassis No →6K-TR099000	6017.95D
			1993.02 - 1999.06	Chassis No →6K-T	6020.95D
			1993.02 - 1999.06	Chassis No 6K-TR099001→	6037.95D
1.7 SDI		1.7	1997.07 - 1999.06		6037.95D
1.8 i	ABS, ACC, ADZ	1.8	1993.02 - 1999.06	Chassis No →6K-TR099000	6017.95D
			1993.02 - 1999.06	Chassis No →6K-T	6020.95D
			1993.02 - 1999.06	Chassis No 6K-TR099001→	6037.95D
1.8 i 16V	ADL	1.8	1993.10 - 1996.08	Chassis No →6K-TR099000	6017.95D
			1993.10 - 1996.08	Chassis No →6K-T	6020.95D
			1993.10 - 1996.08	Chassis No 6K-TR099001→	6037.95D
1.8 T 20V Cupra	AQX, AYP	1.8	2000.07 - 2002.10		6037.95D

* see last page / voir dernière page

Thermoschalter
Thermoswitches
Thermocontact



SEAT

	Motor Engine Moteur	Ltr. Ltr. Ltr.	Jahr Year Année	Einschränkung Restriction* Restriction*	Thermoschalter Thermoswitches Thermocontact
1.9 D	1Y, AGR, ALH, ASV	1.9	1993.02 - 1996.08	Chassis No →6K-TR099000	6017.95D
			1993.02 - 1996.08	Chassis No →6K-T	6020.95D
			1993.02 - 2002.09	Chassis No 6K-TR099001→	6037.95D
1.9 SDI	AEY, AGP, AQM	1.9	1996.08 - 2002.12		6037.95D
1.9 TD	AAZ	1.9	1993.02 - 1996.08	Chassis No →6k-TR099000	6017.95D
			1993.02 - 1996.08	Chassis No →6K-T	6020.95D
			1993.02 - 1996.08	Chassis No 6K-TR099001→	6037.95D
1.9 TDI	1Z, AFN, AGR, AHU, ALH, ASK, ASV	1.9	1996.08 - 2002.12		6037.95D
2.0 i	2E, AGG	2.0	1993.02 - 1999.06	Chassis No →6K-TR099000	6017.95D
			1993.02 - 1999.06	Chassis No →6K-T	6020.95D
			1993.02 - 1999.06	Chassis No 6K-TR099001→	6037.95D
2.0 i 16V	ABF	2.0	1996.08 - 1999.06		6037.95D
FURA					
0.9	09 NCA, 100 GL 7000	0.9	1984.03 - 1986.12		6016.92
IBIZA I (021A)					
0.9	09 NCA, 146 A 000	0.9	1986.08 - 1993.05		6020.92D
1.2	021 A 1000	1.2	1984.11 - 1993.12		6020.92D
1.2 i	021 C.1000	1.2	1989.01 - 1993.05		6020.92D
1.5	021 A 2000	1.5	1984.11 - 1993.05		6020.92D
1.5 i	021 B.2000, 021 C.2000, 021 D.2000	1.5	1986.10 - 1993.05		6020.92D
1.7	021 A.3000, 021 B.3000	1.7	1991.01 - 1993.05		6020.92D
IBIZA II (6K1)					
1.0	AAU	1.0	1993.03 - 1996.09		6017.95D
			1993.03 - 1996.09		6020.95D
1.0 i	AER	1.0	1996.09 - 1999.08		6037.95D
1.3 i	2G, AAV	1.3	1993.03 - 1999.08	Chassis No →6K-TR099000	6017.95D
			1993.03 - 1999.08	Chassis No →6K-T	6020.95D
			1993.03 - 1999.08	Chassis No 6K-TR099001→	6037.95D
1.4 i	ABD, AEX, AKV, APQ	1.4	1993.09 - 1999.08	Chassis No →6K-TR099000	6017.95D
			1993.09 - 1999.08	Chassis No →6K-T	6020.95D
			1993.09 - 1999.08	Chassis No 6K-TR099001→	6037.95D
1.4 i 16V	AFH	1.4	1996.09 - 1999.08		6037.95D
1.6 i	1F, ABU, AEE, AFT, ALM	1.6	1993.03 - 1999.08	Chassis No →6K-TR099000	6017.95D
			1993.03 - 1999.08	Chassis No →6K-T	6020.95D
			1993.03 - 1999.08	Chassis No 6K-TR099001→	6037.95D

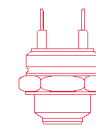


Thermoschalter
Thermoswitches
Thermocontact

SEAT

	Motor Engine Moteur	Ltr. Ltr. Ltr.	Jahr Year Année	Einschränkung Restriction* Restriction*	Thermoschalter Thermoswitches Thermocontact
1.8 i	ABS, ADZ	1.8	1993.03 - 1999.08	Chassis No →6K-TR099000	6017.95D
			1993.03 - 1999.08	Chassis No →6K-T	6020.95D
			1993.03 - 1999.08	Chassis No 6K-TR099001→	6037.95D
1.8 i 16V	ADL	1.8	1993.11 - 1996.08		6017.95D
			1993.11 - 1996.08		6020.95D
1.9 D	1Y	1.9	1993.04 - 1996.08		6017.95D
			1993.04 - 1996.08		6020.95D
1.9 SDI	AEY	1.9	1996.08 - 1999.08		6037.95D
1.9 TD	AAZ	1.9	1993.03 - 1996.08		6017.95D
			1993.03 - 1996.08		6020.95D
1.9 TDI	1Z, AFN, AHU	1.9	1996.08 - 1999.08		6037.95D
2.0 i	2E, AGG	2.0	1993.03 - 1999.08	Chassis No →6K-TR099000	6017.95D
			1993.03 - 1999.08	Chassis No →6K-T	6020.95D
			1993.03 - 1999.08	Chassis No 6K-TR099001→	6037.95D
2.0 i 16V	ABF	2.0	1996.08 - 1999.08		6037.95D
IBIZA III (6K1)					
1.0	ALD, ANV, AUC	1.0	1999.08 - 2002.02		6037.95D
1.0 16V	AST, AVZ	1.0	2000.05 - 2002.02		6037.95D
1.4	AKK, ANW, AUD	1.4	1999.08 - 2002.02		6037.95D
1.4 16V	APE, AQQ, AUA, AUB	1.4	1999.08 - 2002.02		6037.95D
1.6	AEH, AKL, ALM, APF, AUR	1.6	1999.08 - 2002.02		6037.95D
1.8 T 20V Cupra	AQX, AYP	1.8	2000.07 - 2002.02		6037.95D
1.9 SDI	AGP, AQM	1.9	1999.08 - 2002.02		6037.95D
1.9 TDI	AGR, ALH, ASK, ASV	1.9	1999.08 - 2002.02		6037.95D
INCA					
1.4 16V	AUA	1.4	2000.04 - 2003.06		6037.95D
1.4 i	AEX, AKV, APQ, AUD	1.4	1995.11 - 2003.06		6037.95D
1.6 i	1F, AEE, ALM	1.6	1995.11 - 2000.09		6037.95D
1.7 D	AHB	1.7	1996.09 - 2003.06		6037.95D
1.9 D	1Y	1.9	1995.11 - 2003.06		6037.95D
1.9 SDI	AEY, AYQ	1.9	1995.11 - 2003.06		6037.95D
1.9 TDI	ALH	1.9	1996.09 - 2003.06		6037.95D
LEON (1M1) 2006<--					
1.4 16V	AHW, APE, AUA, AXP, BCA	1.4	1999.11 - 2006.06		6037.95D
			1999.11 - 2006.06		6039.95D
1.6	AEH, AKL, APF	1.6	1999.11 - 2006.06		6037.95D
			1999.11 - 2006.06		6039.95D
1.6 16 V	ATN, AUS, AZD, BCB	1.6	2000.09 - 2006.06		6039.95D
1.8 20V / T	AGN, AJQ, APG, APP, ARY, AUQ	1.8	1999.11 - 2006.06		6037.95D
			1999.11 - 2006.06		6039.95D
1.9 TDI	AGR, AHF, ALH, ASV	1.9	1999.11 - 2006.06		6037.95D
			1999.11 - 2006.06		6039.95D
MALAGA					
1.2	021 A 1000	1.2	1984.11 - 1993.12		6020.92D
1.2 i	021 C.1000	1.2	1989.12 - 1993.12		6020.92D
1.5	021 A 2000	1.5	1985.05 - 1993.12		6020.92D
1.5 i	021 A 2000, 021 B.2000, 021 C.2000, 021 D.2000	1.5	1986.10 - 1993.12		6020.92D

Thermoschalter
Thermoswitches
Thermocontact



SEAT

	Motor Engine Moteur	Ltr. Ltr. Ltr.	Jahr Year Année	Einschränkung Restriction* Restriction*	Thermoschalter Thermoswitches Thermocontact
MARBELLA					
0.8	08 NCA	0.8	1986.08 - 1993.12		6020.92D
0.9	08 NCB, 09 NCA, 09 NCB, 100 GL 7000	0.9	1987.01 - 1998.10		6020.92D
PANDA (141A)					
0.9	100 GL 3000	0.9	1980.10 - 1986.12		6020.92D
RONDA					
1.2	021 A 1000	1.2	1984.10 - 1986.12		6010.92D
1.5	021 A 2000	1.5	1984.09 - 1986.12		6010.92D
TERRA					
0.9	09 NCA, 09 NCB	0.9	1987.01 - 1996.12		6020.92D
TOLEDO I					
1.6 i	1F, ABN, AFT, EZ	1.6	1991.05 - 1999.03		6017.95D
1.8 16V	KR, PL	1.8	1991.05 - 1999.03		6017.95D
1.8 i	ABS, ADZ, RP	1.8	1991.05 - 1996.12		6017.95D
1.9 D	1Y	1.9	1991.05 - 1999.03		6017.95D
1.9 TD	AAZ	1.9	1991.05 - 1999.03		6017.95D
1.9 TDI	1Z, AFN, AHU	1.9	1995.08 - 1999.03		6017.95D
2.0 i	2E, AGG	2.0	1991.05 - 1999.03		6017.95D
2.0 i 16V	ABF	2.0	1993.11 - 1999.03		6017.95D
TOLEDO II					
1.4 16V	AHW, APE, AUA, AXP, BCA	1.4	1999.07 - 2006.05		6039.95D
1.6 16V	AUS, AZD, BCB	1.6	2000.09 - 2006.05		6039.95D

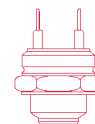


Thermoschalter
Thermoswitches
Thermocontact

SKODA

	Motor Engine Moteur	Ltr. Ltr. Ltr.	Jahr Year Année	Einschränkung Restriction* Restriction*	Thermoschalter Thermoswitches Thermocontact
105, 120					
1.0 105	742, 10	1.0	1976.08 - 1990.12		6010.92D
1.2 120	742, 12, 742.12 X	1.2	1976.08 - 1990.12		6010.92D
FABIA (6Y2, 6Y3, 6Y5)					
1.0	AQV, ARV	1.0	1999.12 - 2002.08		6037.95D
1.4	AME, AQW, ATZ	1.4	1999.08 - 2008.03		6037.95D
1.9 SDI	ASY	1.9	1999.12 - 2008.03		6037.95D
1.9 TDI	ATD, AXR	1.9	2000.01 - 2008.03		6037.95D
FELICIA I					
1.3	135 L, 135B, 135M, 136B, 136M, AMG, AMH, AMJ	1.3	1994.10 - 1998.05 1994.10 - 1998.03	ohne Klimaanlage ohne Servolenkung mit Klimaanlage für Fahrzeuge mit Servolenkung	6010.95D 6017.95D
1.6	AEE, EA111	1.6	1995.08 - 1998.03	mit Klimaanlage	6017.95D
1.9 D	AEF	1.9	1995.10 - 1998.03		6017.95D
FELICIA II					
1.3	AMG, AMH	1.3	1998.01 - 2001.06	mit Klimaanlage für Fahrzeuge mit Servolenkung	6017.95D
1.6	AEE	1.6	1998.01 - 2001.06	mit Klimaanlage	6017.95D
1.9 D	AEF	1.9	1998.01 - 2001.06		6017.95D

Thermoschalter
Thermoswitches
Thermocontact



TALBOT

1307-1510

	Motor Engine Moteur	Ltr. Ltr. Ltr.	Jahr Year Année	Einschränkung Restriction* Restriction*	Thermoschalter Thermoswitches Thermocontact
1510 1.6	6J2A	1.6	1981.07 - 1982.06		6010.92D
Simca 1307 1.3	6G1D	1.3	1975.07 - 1981.08		6010.92D
Simca 1307 1.3S		1.3	1975.07 - 1978.12		6010.92D
Simca 1308 1.4	6Y2, 6Y2D	1.4	1978.11 - 1981.08		6010.92D
Simca 1510 1.4	6G1, 6Y2D	1.4	1980.01 - 1984.04		6010.92D
Simca 1510 1.6	6J1, 6J2	1.6	1978.10 - 1983.12		6010.92D

HORIZON

1.1	E1B	1.1	1979.01 - 1984.09		6010.92D
1.3	2G1, 2G1-BTC	1.3	1978.02 - 1986.06		6010.92D
1.4	2Y1, 2Y1B, 2Y2, Y2	1.4	1979.07 - 1986.06		6010.92D
1.6	6J2A, J2A	1.6	1982.07 - 1986.06		6010.92D
1.9 Diesel	XUD9	1.9	1982.07 - 1986.06		6010.92D

MURENA

1.6	X5J2A	1.6	1981.08 - 1985.01		6010.92D
2.1	5N2	2.1	1980.09 - 1984.07		6010.92D
2.1 S	X5N2	2.1	1983.04 - 1985.01		6010.92D

RANCHO

1.4	X3Y2	1.4	1977.01 - 1984.07		6010.92D
-----	------	-----	-------------------	--	----------

SAMBA (51A)

0.9	5C1(XV5), 5C1(XV8)	0.9	1981.01 - 1985.12		6010.92D
1.1	XW7	1.1	1981.01 - 1986.06		6010.92D
1.2 Rallye	129 D	1.2	1983.01 - 1986.10		6010.92D
1.4	150 D, XY7, XY8	1.4	1981.01 - 1986.10		6010.92D
1.4 Rallye	XY8	1.4	1983.01 - 1986.10		6010.92D

SAMBA Cabriolet (51E)

1.4	XY8	1.4	1981.01 - 1986.06		6010.92D
-----	-----	-----	-------------------	--	----------

SIMCA 1100

0.9 LE		0.9	1976.10 - 1980.01		6010.92D
0.9 LS		0.9	1970.10 - 1972.05		6010.92D
1.1	3E1, 3E1A, E1/BTC	1.1	1968.10 - 1980.01		6010.92D
1.1 LE, LX, GLS, ES	3E1, 3E1A	1.1	1976.10 - 1980.01		6010.92D
1.1 LS, GLS	E1/BTC	1.1	1968.10 - 1977.09		6010.92D
1.2 Spezial		1.2	1971.10 - 1977.09		6010.92D
1.3 Spezial		1.3	1974.07 - 1976.11		6010.92D
1.3 Spezial TI	3G4	1.3	1972.10 - 1977.09		6010.92D

SIMCA 1609/1610

1609 1.6	7R2	1.6	1976.09 - 1978.03		6010.92D
1610 1.8	7S2	1.8	1976.09 - 1980.12		6010.92D
1610 2.0	7T2	2.0	1976.09 - 1980.12		6010.92D
1610 2.0 D		1.9	1976.09 - 1980.12		6010.92D

SOLARA

1.3	6G1D/VP	1.3	1980.02 - 1986.07		6010.92D
1.6	6J1, J1B	1.6	1981.09 - 1986.07		6010.92D

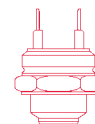


Thermoschalter
Thermoswitches
Thermocontact

VAUXHALL

	Motor Engine Moteur	Ltr. Ltr. Ltr.	Jahr Year Année	Einschränkung Restriction* Restriction*	Thermoschalter Thermoswitches Thermocontact
ASTRA					
1.2	12 S	1.2	1979.10 - 1984.08		6010.100D
1.2 S	12 S	1.2	1982.02 - 1984.08		6010.100D
1.3		1.3	1980.09 - 1984.08 1982.08 - 1984.08	Chassis No →J2791967 →J5273427	6010.100D 6010.95D
			1982.08 - 1984.08	Chassis No J2791968→ J5273428→	6031.100D
1.3 S	13 S	1.3	1979.09 - 1984.08 1979.09 - 1984.08	Chassis No →J2791967 →J5273427	6010.100D 6010.95D
			1979.09 - 1984.08	Chassis No J2791968→ J5273428→	6031.100D
1.6 D	16 D	1.6	1982.03 - 1986.08 1982.02 - 1986.08	Chassis No →J2791967 →JE222258	6010.100D 6010.95D
1.6 S	16 S, 16 SH	1.6	1981.09 - 1986.08 1981.09 - 1986.08	Chassis No →J2791967 →J5273427	6010.100D 6010.95D
			1981.09 - 1986.08	Chassis No J2791968→ J5273428→	6031.100D
1.8 GTE	18 E	1.8	1983.03 - 1986.08		6010.100D
ASTRA Mk II					
1.2	12 S	1.2	1984.09 - 1991.08	Chassis No →J2791967 →J5273427	6010.95D
			1984.09 - 1991.08	Chassis No J2791968→ J5273428→	6031.100D
1.3	13 S	1.3	1984.09 - 1991.08	Chassis No →J2791967 →J5273427	6010.95D
			1984.09 - 1991.08	Chassis No J2791968→ J5273428→	6031.100D
1.4 i	C 14 NZ	1.4	1990.01 - 1991.12		6031.100D
1.4 S	14 NV	1.4	1989.01 - 1991.08		6031.100D
1.6	16 S, 16 SH, 16 SV	1.6	1984.09 - 1991.08	Chassis No →J2791967 →J5273427	6010.95D
			1984.09 - 1991.08	Chassis No J2791968→ J5273428→	6031.100D
1.6 D	16 DA	1.6	1984.09 - 1991.08	Chassis No →J2791967 →JE222258	6010.95D

Thermoschalter
Thermoswitches
Thermocontact



VAUXHALL

	Motor Engine Moteur	Ltr. Ltr. Ltr.	Jahr Year Année	Einschränkung Restriction* Restriction*	Thermoschalter Thermoswitches Thermocontact
1.6 i	16 SV, C 16 LZ, C 16 NZ, E 16 NZ	1.6	1987.01 - 1993.08	Chassis No →J2791967 →J5273427	6010.95D
			1987.01 - 1993.08	Chassis No J2791968→ J5273428→	6031.100D
1.6 S	16 S, 16 SH, 16 SV	1.6	1984.09 - 1991.12	Chassis No →J2791967 →J5273427	6010.95D
			1984.09 - 1991.12	Chassis No J2791968→ J5273428→	6031.100D
1.8	18 SE	1.8	1986.01 - 1990.12	Chassis No →J2791967 →J5273427	6010.95D
			1986.01 - 1990.12	Chassis No J2791968→ J5273428→	6031.100D
1.8 GTE	18 E, 18 SE	1.8	1984.09 - 1991.08	Chassis No →J2791967 →J5273427	6010.95D
			1984.09 - 1991.08	Chassis No J2791968→ J5273428→	6031.100D
1.8 i	18 E, 18 SE	1.8	1985.09 - 1991.08	Chassis No →J2791967 →J5273427	6010.95D
			1985.09 - 1991.08	Chassis No J2791968→ J5273428→	6031.100D
ASTRA Mk III					
1.4 i	C 14 NZ, C 14 SE	1.4	1991.01 - 2001.03	mit Klimaanlage	6031.100D
1.4 i 16V	X 14 XE	1.4	1991.01 - 2001.03	mit Klimaanlage	6031.88D
			1996.01 - 2001.03	mit Klimaanlage	6031.100D
1.4 S	14 NV	1.4	1996.01 - 2001.03	mit Klimaanlage	6031.88D
			1991.09 - 1998.02	mit Klimaanlage	6031.100D
1.6 i	C 16 NZ, C 16 SE, E 16 NZ, X 16 SZ, X 16 SZR	1.6	1991.09 - 1998.02	mit Klimaanlage	6031.88D
			1991.01 - 2001.03	mit Klimaanlage	6031.100D
1.6 i 16V	X 16 XEL	1.6	1991.01 - 2001.03	mit Klimaanlage	6031.88D
			1994.01 - 1998.09	mit Klimaanlage	6031.100D
1.6 Si	C 16 SE	1.6	1994.01 - 1998.09	mit Klimaanlage	6031.88D
			1991.03 - 1994.12	mit Klimaanlage	6031.100D
1.7 D	17 D, 17 DR	1.7	1991.03 - 1994.12	mit Klimaanlage	6031.88D
1.7 TD	17 DT (TC4EE1), X 17 DTL	1.7	1991.09 - 1998.02	mit Klimaanlage	6031.88D
1.8 16V	C 18 XEL, X 18 XE	1.8	1991.12 - 1998.02	mit Klimaanlage	6031.88D
			1994.11 - 2001.03	mit Klimaanlage	6031.100D
1.8 i	C 18 NZ	1.8	1994.11 - 2001.03	mit Klimaanlage	6031.88D
			1991.09 - 1998.09	mit Klimaanlage	6031.100D
1.8 i 16V	C 18 XE, C 18 XEL	1.8	1991.09 - 1998.09	mit Klimaanlage	6031.88D
			1993.06 - 1998.02	mit Klimaanlage	6031.100D
2.0 i	C 20 NE	2.0	1993.06 - 1998.02	mit Klimaanlage	6031.88D
			1991.09 - 1998.09	mit Klimaanlage	6031.100D
2.0 i 16V	C 20 XE, X 20 XEV	2.0	1991.09 - 1998.09	mit Klimaanlage	6031.88D
			1991.09 - 1998.09	mit Klimaanlage	6031.100D



Thermoschalter
Thermoswitches
Thermocontact

VAUXHALL

**Motor
Engine
Moteur**

**Ltr.
Ltr.
Ltr.**

**Jahr
Year
Année**

**Einschränkung
Restriction*
Restriction***

**Thermoschalter
Thermoswitches
Thermocontact**

CALIBRA

2.0 i	C 20 NE	2.0	1990.06 - 1997.07 1990.06 - 1997.07	mit Klimaanlage mit Klimaanlage	6031.100D 6031.88D
2.0 i 16V	C 20 XE, X 20 XEV	2.0	1990.06 - 1994.02 1990.06 - 1997.07	mit Klimaanlage mit Klimaanlage	6031.100D 6031.88D
2.0 i Turbo	C 20 LET	2.0	1992.03 - 1997.07	mit Klimaanlage	6031.100D

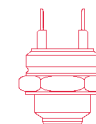
CARLTON Mk III

1.8	E 18 NVR	1.8	1987.09 - 1994.03		6010.95D
1.8 i	18 SEH	1.8	1986.09 - 1994.03		6010.95D
1.8 N	18 NV	1.8	1986.09 - 1987.08		6010.95D
1.8 S	18 SV	1.8	1986.09 - 1994.03		6010.95D
2.0	C 20 NE, C 20 NEF, C 20 NEJ	2.0	1986.09 - 1994.03	Chassis No →P1132203	6010.95D
			1990.09 - 1994.03	Chassis No P1132204→	6031.105D
2.0 i	20 SE, C 20 NEJ	2.0	1986.09 - 1994.03	Chassis No →P1132203	6010.95D
			1990.09 - 1994.03	Chassis No P1132204→	6031.105D
2.2 TD	23 YDT	2.2	1986.09 - 1988.08	Chassis No →K1000098	6010.95D
			1986.09 - 1988.08	Chassis No K1000099→	6031.105D
2.3 D	23 YD	2.3	1986.09 - 1994.03	Chassis No →K1000098	6010.95D
			1986.09 - 1994.03	Chassis No K1000099→	6031.105D
2.3 TD Interc.	23 DTR	2.3	1988.08 - 1994.03	Chassis No →K1000098	6010.95D
			1988.08 - 1994.03	Chassis No K1000099→	6031.105D
2.4 i	C 24 NE	2.4	1988.09 - 1994.03		6010.95D
2.6 i	C 26 NE	2.6	1990.09 - 1994.03	Chassis No →P1132203	6010.95D
			1990.09 - 1994.03	Chassis No P1132204→	6031.105D
3.0 3000 24V	C 30 SE	3.0	1989.09 - 1994.03		6010.95D
3000	C 30 LE, C 30 NE	2.9	1987.03 - 1994.03	Chassis No →P1132203	6010.95D
			1988.03 - 1994.03	Chassis No P1132204→	6031.105D
3000 24V	C 30 SEJ	3.0	1989.09 - 1994.03	Chassis No →P1132203	6010.95D
			1989.09 - 1994.03	Chassis No P1132204→	6031.105D

CAVALIER Mk II

1.3	13 NB	1.3	1981.09 - 1988.08		6010.95D
1.3 N	13 N	1.3	1981.09 - 1988.08	Chassis No →J2791967 →J5273427	6010.95D
			1981.09 - 1988.08	Chassis No J2791968→ J5273428→	6031.100D

Thermoschalter
Thermoswitches
Thermocontact



VAUXHALL

	Motor Engine Moteur	Ltr. Ltr. Ltr.	Jahr Year Année	Einschränkung Restriction* Restriction*	Thermoschalter Thermoswitches Thermocontact
1.3 S	13 S	1.3	1981.09 - 1988.08	Chassis No →J2791967 →J5273427	6010.95D
			1981.09 - 1988.08	Chassis No J2791968→ J5273428→	6031.100D
1.6	16 SH	1.6	1983.10 - 1988.08		6010.95D
1.6 i	C 16 LZ, C 16 NZ, E 16 NZ	1.6	1986.08 - 1988.08	Chassis No →J2791967 →J5273427	6010.95D
			1986.08 - 1988.08	Chassis No J2791968→ J5273428→	6031.100D
1.6 N	16 N	1.6	1981.09 - 1988.08		6010.95D
1.6 S	16 S, 16 SH	1.6	1981.09 - 1988.08		6010.95D
1.8	E 18 NV	1.8	1986.08 - 1988.08	Chassis No →J2791967 →J5273427	6010.95D
			1986.08 - 1988.08	Chassis No J2791968→ J5273428→	6031.100D
1.8 i	18 E, 18 SE, C 18 NE	1.8	1981.09 - 1988.08		6010.95D
1800i	18 SE	1.8	1985.03 - 1988.10		6010.95D
2.0	20 E, 20 S	2.0	1986.08 - 1987.08		6010.95D
2.0 i	20 NE, C 20 NE	2.0	1986.09 - 1988.08		6010.95D
2.0 SRi 130	20 SEH	2.0	1987.03 - 1988.08		6010.95D
2000i	20 SE	2.0	1986.09 - 1988.08		6010.95D
CAVALIER Mk III					
1.4 S	14 NV	1.4	1988.09 - 1995.11	Chassis No →KV999999 →K5999999 →L1000123	6031.100D
1.6	16 SV	1.6	1988.09 - 1993.05	Chassis No →KV999999 →K5999999 →L1000123	6031.100D
2.0 i	20 NE, 20 SEH, C 20 NE	2.0	1988.09 - 1995.11	Chassis No →KV999999 →K5999999 →L1000123	6031.100D
2.0 SRi	20 SEH	2.0	1988.09 - 1992.09	Chassis No →KV999999 →K5999999 →L1000123	6031.100D
COMBO Mk I					
1.2	C 12 NZ, X 12 SZ	1.2	1994.07 - 2001.10		6031.100D
1.4	C 14 NZ, C 14 SE	1.4	1994.07 - 2001.10		6031.100D
CORSA Mk II					
1.0 i 12V	X 10 XE	1.0	1996.11 - 2000.09		6031.100D
1.2 i	C 12 NZ, X 12 SZ	1.2	1993.03 - 2000.09		6031.100D
1.2 i 16V	X 12 XE	1.2	1998.03 - 2000.09		6031.100D
1.4 i	C 14 NZ, X 14 SZ	1.4	1993.03 - 2000.09		6031.100D
1.4 i 16V	X 14 XE	1.4	1994.09 - 2000.09		6031.100D
1.4 i S	C 14 SE	1.4	1993.03 - 2000.09		6031.100D
1.6 GSI 16V	C 16 XE	1.6	1993.03 - 2000.09		6031.100D
1.6 i 16V	X 16 XE	1.6	1994.09 - 2000.09		6031.100D



Thermoschalter
Thermoswitches
Thermocontact

VAUXHALL

Motor
Engine
Moteur

Ltr.
Ltr.
Ltr.

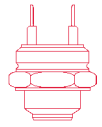
Jahr
Year
Année

Einschränkung
Restriction*
Restriction*

Thermoschalter
Thermoswitches
Thermocontact

	Motor Engine Moteur	Ltr. Ltr. Ltr.	Jahr Year Année	Einschränkung Restriction* Restriction*	Thermoschalter Thermoswitches Thermocontact
CORSA Convertible					
1.4 i 16V	X 14 XE	1.4	1998.01 -		6031.100D
CORSAVAN Mk II					
1.4 i	C 14 NZ	1.4	1994.01 - 2000.09		6031.100D
NOVA					
1.0	10 S	1.0	1982.09 - 1987.10	Chassis No →J4999999	6010.95D
			1982.09 - 1993.03	Chassis No K4000001→	6031.100D
1.2	12 NV	1.2	1990.01 - 1994.10	Chassis No →J4999999	6010.95D
			1990.01 - 1994.10	Chassis No K4000001→	6031.100D
1.2 i	12 NC, C 12 NZ, E 12 GV	1.2	1985.01 - 1993.03	Chassis No →J4999999	6010.95D
			1985.01 - 1993.03	Chassis No K4000001→	6031.100D
1.2 N	12 NC, 12 NV, E 12 GV	1.2	1985.01 - 1993.03	Chassis No →J4999999	6010.95D
			1985.01 - 1993.03	Chassis No K4000001→	6031.100D
1.2 S	12 S, 12 ST	1.2	1982.09 - 1990.02	Chassis No →J4999999	6010.95D
			1982.09 - 1990.02	Chassis No K4000001→	6031.100D
1.3 i	13 NB, C 13 N	1.3	1985.09 - 1993.03	Chassis No →J4999999	6010.95D
			1985.09 - 1993.03	Chassis No K4000001→	6031.100D
1.3 S	13 SB	1.3	1982.09 - 1989.10	Chassis No →J4999999	6010.95D
			1982.09 - 1989.10	Chassis No K4000001→	6031.100D
1.4	14 NV, C 14 NZ, C 14 SE	1.4	1990.09 - 1993.03		6031.100D
1.4 i	C 14 NZ	1.4	1990.01 - 1993.03	Chassis No →J4999999	6010.95D
			1990.01 - 1993.03	Chassis No K4000001→	6031.100D
1.4 i S	C 14 SE	1.4	1991.09 - 1993.03	Chassis No →J4999999	6010.95D
			1991.09 - 1993.03	Chassis No K4000001→	6031.100D
1.4 S	14 NV	1.4	1990.01 - 1993.03	Chassis No →J4999999	6010.95D
			1990.01 - 1993.03	Chassis No K4000001→	6031.100D
1.6 GSI	C 16 SE, C 16 SEI, E 16 SE	1.6	1988.05 - 1993.03	Chassis No →J4999999	6010.95D
			1988.05 - 1993.03	Chassis No K4000001→	6031.100D
OMEGA					
2.0	20 SE, X 20 SE	2.0	1994.03 - 1999.09	mit Klimaanlage	6031.100D
2.0 16V	X 20 XEV	2.0	1994.03 - 2001.02	mit Klimaanlage	6031.100D
2.2 16V	Y 22 XE, Z 22 XE	2.2	1994.01 - 2003.06	mit Klimaanlage	6031.100D

Thermoschalter
Thermoswitches
Thermocontact



VAUXHALL

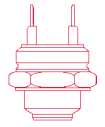
	Motor Engine Moteur	Ltr. Ltr. Ltr.	Jahr Year Année	Einschränkung Restriction* Restriction*	Thermoschalter Thermoswitches Thermocontact
2.5 V6	X 25 XE	2.5	1994.03 - 2000.09	ohne Klimaanlage Chassis No R1000001→ →T1003097	6031.100D
			1994.03 - 2000.09	ohne Klimaanlage Chassis No T1003098→	6031.105D
3.0 V6	X 30 XE	3.0	1994.04 - 2000.07	ohne Klimaanlage Chassis No R1000001→ →T1003097	6031.100D
			1994.04 - 2000.07	ohne Klimaanlage Chassis No T1003098→	6031.105D
SENATOR					
3.0	30 NE	3.0	1988.01 - 1990.09	Chassis No →0109241	6010.95D
			1988.01 - 1990.09	Chassis No 0109242→	6031.105D
3.0 i	C 30 NE	3.0	1988.01 - 1993.09	Chassis No →0109241	6010.95D
			1988.01 - 1993.09	Chassis No 0109242→	6031.105D
SINTRA					
2.2 DTI	X 22 DTH	2.2	1997.07 - 1999.04		6031.105D
2.2 i 16 V	X 22 XE	2.2	1996.11 - 1999.04		6031.105D
3.0 i 24V	X 30 XE	3.0	1996.11 - 1999.04		6031.105D
TIGRA					
1.4 16V	X 14 XE	1.4	1994.07 - 2000.12		6031.100D
1.6 16V	X 16 XE	1.6	1994.07 - 2000.12		6031.100D
VECTRA					
1.6 i 16V	X 16 XEL, Y 16 XE, Z 16 XE	1.6	1995.08 - 2001.10	ohne Klimaanlage	6031.100D
2.0 i 16V	X 20 XEV	2.0	1995.10 - 2001.01		6031.88D



Thermoschalter
Thermoswitches
Thermocontact

VOLKSWAGEN	Motor Engine Moteur	Ltr. Ltr. Ltr.	Jahr Year Année	Einschränkung Restriction* Restriction*	Thermoschalter Thermoswitches Thermocontact
BORA					
1.6	AEH, AKL, APF	1.6	1998.10 - 1999.04 1998.10 - 1999.04		6037.95D 6039.95D
1.8	AGN, BAF	1.8	1998.10 - 1999.04 1998.10 - 1999.04		6037.95D 6039.95D
1.9 SDI	AGP, AQM	1.9	1998.10 - 1999.04 1998.10 - 1999.04		6037.95D 6039.95D
1.9 TDI	AGR, AHF, AJM, ALH, ASV, AUZ	1.9	1998.10 - 1999.04 1998.10 - 1999.04		6037.95D 6039.95D
2.0	APK, AQY, AZG, AZH, AZJ, BBW	2.0	1998.10 - 1999.04 1998.10 - 1999.04		6037.95D 6039.95D
2.3 V5	AGZ	2.3	1998.12 - 1999.04 1998.12 - 1999.04		6037.95D 6039.95D
CADDY I					
1.5	JB	1.5	1982.08 - 1983.07 1982.08 - 1983.07		6017.95D 6020.95D
1.6	EM, EW	1.6	1983.01 - 1992.07 1982.10 - 1992.07		6017.95D 6020.95D
1.6 D	JK, ME	1.6	1982.08 - 1992.07 1982.08 - 1992.07		6017.95D 6020.95D
1.8	JH	1.8	1985.08 - 1992.07 1985.08 - 1992.07		6017.95D 6020.95D
CADDY II (9K9)					
1.4	AEX, AKV, APQ, AUA, AUD	1.4	1995.11 - 2004.01		6037.95D
1.4 16V	AUA	1.4	2000.08 - 2004.01		6037.95D
1.6	1F, AEE	1.6	1995.11 - 2000.09		6037.95D
1.7 SDI	AHB	1.7	1996.07 - 2000.09		6037.95D
1.9 D	1Y	1.9	1995.11 - 2004.01		6037.95D
1.9 SDI	AEY, AYQ	1.9	1995.11 - 2004.01		6037.95D
1.9 TDI	1Z, AHU, ALE, ALH	1.9	1996.09 - 2004.01		6037.95D
60 1.4	AEX, APQ, AUD	1.4	1995.11 - 2004.01		6037.95D
75 1.6	1F, AEE	1.6	1995.11 - 2000.09		6037.95D
CADDY II Pick-up (9U7)					
1.6	AEE	1.6	1996.06 - 2000.12 1996.06 - 1998.07	mit Klimaanlage ohne Klimaanlage Chassis No →9U-X-000 500	6017.95D 6010.95D
1.9 D	AEF	1.9	1996.06 - 2000.12		6017.95D
CORRADO					
1.8 16V	KR	1.8	1989.04 - 1992.07 1989.04 - 1992.07	Chassis No →50P020000 Chassis No 50R000001→	6017.95D 6037.95D
1.8 G60	PG	1.8	1988.09 - 1993.09 1988.09 - 1993.09	Chassis No →50P020000 Chassis No 50R000001→	6017.95D 6037.95D
2.0 i	2E, ADY	2.0	1993.04 - 1995.12 1993.04 - 1995.12	Chassis No →50P020000 Chassis No 50R000001→	6017.95D 6037.95D

Thermoschalter
Thermoswitches
Thermocontact



VOLKSWAGEN	Motor Engine Moteur	Ltr. Ltr. Ltr.	Jahr Year Année	Einschränkung Restriction* Restriction*	Thermoschalter Thermoswitches Thermocontact		
2.0 i 16V	9A	2.0	1991.08 - 1995.12	Chassis No →50P020000	6017.95D		
			1991.08 - 1995.12	Chassis No 50R000001→	6037.95D		
2.9 VR6	ABV	2.9	1991.08 - 1995.12	Chassis No →50P020000	6017.95D		
			1991.08 - 1995.12	Chassis No 50R000001→	6037.95D		
DERBY (86, 86C, 80)							
0.9	HA	0.9	1977.02 - 1981.09	Chassis No →868 2600 000	6010.92D		
			1977.02 - 1981.09	Chassis No 869 2500 001→	6020.95D		
1.0	GL, HZ	1.0	1981.08 - 1984.12 1981.08 - 1984.12		6017.95D 6020.95D		
1.1	HB	1.1	1981.10 - 1983.07 1977.02 - 1981.09	Chassis No →868 2600 000	6017.95D 6010.92D		
			1977.02 - 1983.07	Chassis No 869 2500 001→	6020.95D		
1.3	GK, HH, HJ, HK	1.3	1981.08 - 1984.12 1977.02 - 1981.09	Chassis No →868 2600 000	6017.95D 6010.92D		
			1977.02 - 1984.12	Chassis No 869 2500 001→	6020.95D		
GOLF I (17)							
1.1	FA, FJ, GG, HC	1.1	1974.04 - 1983.07 1981.01 - 1983.07 1981.01 - 1983.07		6010.92D 6017.95D 6020.95D		
			1.3	GF	1.3	1979.08 - 1983.07 1979.08 - 1983.07	6017.95D 6020.95D
						1.5	FH, JB
1.5 D	CK	1.5	1976.08 - 1980.07	6020.95D			
1.6	EM, FN, FP	1.6	1975.08 - 1984.02		6010.92D		
1.6 D	CR, JK	1.6	1980.08 - 1983.07 1980.08 - 1983.07		6017.95D 6020.95D		
			1.6 GTI	EG	1.6	1976.08 - 1982.07 1976.08 - 1982.07	6010.92D 6020.95D
1.6 TD	CY	1.6	1982.03 - 1983.07 1982.03 - 1983.07		6017.95D 6020.95D		
			1.8 GTI	DX, JJ	1.8	1982.08 - 1983.12 1982.08 - 1983.12	6017.95D 6020.95D
GOLF I Cabriolet (155)							
1.6	EW, HN, RE	1.6	1983.08 - 1992.04 1983.08 - 1992.04		6017.95D 6020.95D		
			1.8	2H, DX, EV, EX, JH, PB	1.8	1982.08 - 1993.04 1982.08 - 1993.04	6017.95D 6020.95D
GOLF II (19E, 1G1)							
1.0	GN, HZ	1.0	1983.11 - 1991.10 1983.11 - 1991.10		6017.95D 6020.95D		
			1.3	2G, GT, HK, MH, NU, NZ	1.3	1983.08 - 1992.12 1983.08 - 1992.12	6017.95D 6020.95D

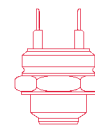


Thermoschalter
Thermoswitches
Thermocontact

VOLKSWAGEN

	Motor Engine Moteur	Ltr. Ltr. Ltr.	Jahr Year Année	Einschränkung Restriction* Restriction*	Thermoschalter Thermoswitches Thermocontact
1.6	ABN, EZ, HM, PN, RF	1.6	1983.08 - 1992.12 1983.08 - 1992.12		6017.95D 6020.95D
1.6 D	JP, ME	1.6	1983.08 - 1991.10 1983.08 - 1991.10		6017.95D 6020.95D
1.6 TD	1V, JR, MF, RA, SB	1.6	1983.08 - 1991.10 1983.08 - 1991.10		6017.95D 6020.95D
1.8	1P, GU, GX, HV, RH	1.8	1984.08 - 1991.10 1984.08 - 1991.10		6017.95D 6020.95D
1.8 GTI	DX, EV, GZ, PB, PF, RD	1.8	1983.08 - 1991.10 1983.08 - 1991.10		6017.95D 6020.95D
1.8 GTI 16V	KR, PL	1.8	1986.02 - 1991.10 1986.02 - 1991.10		6017.95D 6020.95D
1.8 GTI G60	1H, PG	1.8	1988.08 - 1991.07 1988.08 - 1991.07		6017.95D 6020.95D
1.8 i	GX, RP	1.8	1987.08 - 1991.10 1987.08 - 1991.10		6017.95D 6020.95D
GOLF III (1H1, 1H5)					
1.4	ABD, AEX, APQ	1.4	1991.10 - 1999.04 1991.10 - 1999.04 1991.10 - 1999.04 1991.10 - 1999.04	Chassis No →1H P 990 000 Chassis No →1H P 990 000 Chassis No 1H R 000 001→ Chassis No 1H R 000 001→	6017.95D 6020.95D 6037.95D 6039.95D
1.6	ABU, AEA, AEE, AEK, AFT, AKS	1.6	1992.09 - 1999.04 1992.09 - 1999.04 1992.09 - 1999.04 1992.09 - 1999.04	Chassis No →1H P 990 000 Chassis No →1H P 990 000 Chassis No 1H R 000 001→ Chassis No 1H R 000 001→	6017.95D 6020.95D 6037.95D 6039.95D
1.8	AAM, ABS, ACC, ADZ, ANN, ANP	1.8	1991.11 - 1999.04 1991.11 - 1999.04 1991.11 - 1999.04 1991.11 - 1999.04	Chassis No →1H P 990 000 Chassis No →1H P 990 000 Chassis No 1H R 000 001→ Chassis No 1H R 000 001→	6017.95D 6020.95D 6037.95D 6039.95D
1.9 D	1Y	1.9	1991.11 - 1999.04 1991.11 - 1999.04 1991.11 - 1999.04 1991.11 - 1999.04	Chassis No →1H P 990 000 Chassis No →1H P 990 000 Chassis No 1H R 000 001→ Chassis No 1H R 000 001→	6017.95D 6020.95D 6037.95D 6039.95D
1.9 SDI	AEY	1.9	1995.07 - 1999.04 1995.07 - 1999.04	Chassis No 1H R 000 001→ Chassis No 1H R 000 001→	6037.95D 6039.95D

Thermoschalter
Thermoswitches
Thermocontact



VOLKSWAGEN	Motor Engine Moteur	Ltr. Ltr. Ltr.	Jahr Year Année	Einschränkung Restriction* Restriction*	Thermoschalter Thermoswitches Thermocontact
1.9 TD	AAZ	1.9	1993.07 - 1999.04	Chassis No →1H P 990 000	6017.95D
			1993.07 - 1999.04	Chassis No →1H P 990 000	6020.95D
			1993.07 - 1999.04	Chassis No 1H R 000 001→	6037.95D
			1993.07 - 1999.04	Chassis No 1H R 000 001→	6039.95D
1.9 TD, GTD	AAZ	1.9	1991.11 - 1997.08	Chassis No →1H P 990 000	6017.95D
			1991.11 - 1997.08	Chassis No →1H P 990 000	6020.95D
			1991.11 - 1997.08	Chassis No 1H R 000 001→	6037.95D
			1991.11 - 1997.08	Chassis No 1H R 000 001→	6039.95D
1.9 TDI	1Z, AFN, AHU, ALE	1.9	1993.09 - 1999.04	Chassis No →1H P 990 000	6017.95D
			1993.09 - 1999.04	Chassis No →1H P 990 000	6020.95D
			1993.09 - 1999.04	Chassis No 1H R 000 001→	6037.95D
			1993.09 - 1999.04	Chassis No 1H R 000 001→	6039.95D
2.0	2E, ABA, ADY, AGG, AKR	2.0	1991.11 - 1999.04	Chassis No →1H P 990 000	6017.95D
			1991.11 - 1999.04	Chassis No →1H P 990 000	6020.95D
			1991.11 - 1999.04	Chassis No 1H R 000 001→	6037.95D
			1991.11 - 1999.04	Chassis No 1H R 000 001→	6039.95D
2.0 GTI 16V	ABF	2.0	1992.08 - 1997.08	Chassis No →1H P 990 000	6017.95D
			1992.08 - 1997.08	Chassis No →1H P 990 000	6020.95D
			1992.08 - 1997.08	Chassis No 1H R 000 001→	6037.95D
			1992.08 - 1997.08	Chassis No 1H R 000 001→	6039.95D
2.8 VR6	AAA	2.8	1992.01 - 1997.08	Chassis No →1H P 990 000	6017.95D
			1992.01 - 1997.08	Chassis No →1H P 990 000	6020.95D
			1992.01 - 1997.08	Chassis No 1H R 000 001→	6037.95D
			1992.01 - 1997.08	Chassis No 1H R 000 001→	6039.95D
2.9 VR6	ABV	2.9	1994.10 - 1999.04	Chassis No →1H P 990 000	6017.95D
			1994.10 - 1999.04	Chassis No →1H P 990 000	6020.95D
			1994.10 - 1999.04	Chassis No 1H R 000 001→	6037.95D
			1994.10 - 1999.04	Chassis No 1H R 000 001→	6039.95D

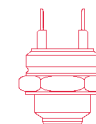


Thermoschalter
Thermoswitches
Thermocontact

VOLKSWAGEN

	Motor Engine Moteur	Ltr. Ltr. Ltr.	Jahr Year Année	Einschränkung Restriction* Restriction*	Thermoschalter Thermoswitches Thermocontact
GOLF III Cabriolet (1E7)					
1.6	AEK, AFT, AKS	1.6	1994.10 - 1998.05 1994.10 - 1998.05		6037.95D 6039.95D
1.8	AAM, ABS, ADZ	1.8	1993.07 - 1998.05 1993.07 - 1998.05		6037.95D 6039.95D
1.9 TDI	1Z, AFN, AHU, ALE	1.9	1995.08 - 1998.05 1995.08 - 1998.05		6037.95D 6039.95D
2.0	2E, ADY, AGG, AKR	2.0	1993.07 - 1998.05 1993.07 - 1998.05		6037.95D 6039.95D
GOLF IV (1J1, 1J5)					
1.4 16V	AHW, AKQ, APE, AXP, BCA	1.4	1997.08 - 1999.04 1997.08 - 1999.04		6037.95D 6039.95D
1.6	AEH, AKL, APF	1.6	1997.08 - 1999.04 1997.08 - 1999.04		6037.95D 6039.95D
1.8	AGN, BAF	1.8	1997.08 - 1999.04 1997.08 - 1999.04		6037.95D 6039.95D
1.8 T	AGU, AQA, ARZ, AUM, AWD	1.8	1997.08 - 1999.04 1997.08 - 1999.04		6037.95D 6039.95D
1.9 SDI	AGP, AQM	1.9	1997.08 - 1999.04 1997.08 - 1999.04		6037.95D 6039.95D
1.9 TDI	AGR, AHF, AJM, ALH, ASV, AUU	1.9	1997.08 - 1999.04 1997.08 - 1999.04		6037.95D 6039.95D
2.0	APK, AQY, AZG, AZJ	2.0	1998.07 - 1999.04 1998.07 - 1999.04		6037.95D 6039.95D
2.3 V5	AGZ	2.3	1997.08 - 1999.04 1997.08 - 1999.04		6037.95D 6039.95D
GOLF IV Cabriolet (1E7)					
1.6	AFT, AKS	1.6	1998.06 - 2002.06 1998.06 - 2002.06		6037.95D 6039.95D
1.8	AAM, ADZ, ANN, ANP	1.8	1998.06 - 2002.06 1998.06 - 2002.06		6037.95D 6039.95D
1.9 TDI	AFN, AHU, ALE, AVG	1.9	1998.06 - 2002.06 1998.06 - 2002.06		6037.95D 6039.95D
2.0	AGG, AKR, ATU, AWF, AWG	2.0	1998.06 - 2002.06 1998.06 - 2002.06		6037.95D 6039.95D
ILTIS					
1.7	WL, YX	1.7	1979.03 - 1988.12		6020.95D
JETTA I (16)					
1.1	FA, GG	1.1	1978.08 - 1984.02 1978.08 - 1984.02		6017.95D 6020.95D
1.3	GF	1.3	1979.08 - 1984.02 1979.08 - 1984.02		6017.95D 6020.95D
1.5	JB	1.5	1978.08 - 1984.02 1978.08 - 1984.02		6017.95D 6020.95D
1.5 D	CK	1.5	1978.08 - 1980.07 1978.08 - 1980.07		6017.95D 6020.95D
1.6	FR	1.6	1978.08 - 1984.02 1978.08 - 1984.02		6017.95D 6020.95D
1.6 D	CR, JK	1.6	1980.08 - 1984.02 1980.08 - 1984.02		6017.95D 6020.95D
1.6 GLI	EG	1.6	1978.08 - 1982.07 1978.08 - 1982.07		6017.95D 6020.95D
1.6 TD	CY	1.6	1982.03 - 1984.02 1982.03 - 1984.02		6017.95D 6020.95D

Thermoschalter
Thermoswitches
Thermocontact



VOLKSWAGEN	Motor Engine Moteur	Ltr. Ltr. Ltr.	Jahr Year Année	Einschränkung Restriction* Restriction*	Thermoschalter Thermoswitches Thermocontact
1.8	DX, JJ	1.8	1982.08 - 1984.02 1982.08 - 1984.02		6017.95D 6020.95D
JETTA II					
1.3	2G, HK, MH, NZ	1.3	1984.01 - 1991.12 1984.01 - 1991.12		6017.95D 6020.95D
1.6	ABN, EZ, HM, PN, RF	1.6	1984.01 - 1992.07 1984.01 - 1992.07		6017.95D 6020.95D
1.6 D	JP, ME	1.6	1984.01 - 1991.10 1984.01 - 1991.10		6017.95D 6020.95D
1.6 TD	1V, JR, MF, RA, SB	1.6	1984.01 - 1991.10 1984.01 - 1991.10		6017.95D 6020.95D
1.8	1P, EV, GU, GX, GZ, HV, PB, PF, RD, RH, RP	1.8	1984.01 - 1991.10 1984.01 - 1991.10		6017.95D 6020.95D
1.8 16V	KR, PL	1.8	1986.08 - 1991.10 1986.08 - 1991.10		6017.95D 6020.95D
LUPO					
1.0	AER, ALD, ALL, ANV, AUC	1.0	1998.09 - 2005.07 1998.09 - 2005.07		6037.95D 6039.95D
1.2 TDI 3L	ANY, AYZ	1.2	1999.07 - 2005.07 1999.07 - 2005.07		6037.95D 6039.95D
1.4	AUD	1.4	2000.10 - 2005.07 2000.10 - 2005.07		6037.95D 6039.95D
1.4 16V	AFK, AHW, AKQ, APE, AQQ, AUA, AUB, BBY	1.4	1998.09 - 2005.07 1998.09 - 2005.07		6037.95D 6039.95D
1.4 FSI	ARR	1.4	2001.02 - 2005.07 2001.02 - 2005.07		6037.95D 6039.95D
1.6 GTI	AVY	1.6	2000.09 - 2005.07 2000.09 - 2005.07		6037.95D 6039.95D
1.7 SDI	AKU	1.7	1998.09 - 2005.07 1998.09 - 2005.07		6037.95D 6039.95D
NEW BEETLE					
1.6	AYD, BFS	1.6	2000.06 -		6037.95D
1.9 TDI	ALH	1.9	1998.01 - 2004.06		6037.95D
2.0	AEG, APK, AQY, AVH, AZG, AZJ, BEJ, BER, BEV, BHP, CBPA	2.0	1998.01 - 2001.05		6037.95D
PASSAT (32/33)					
1.3	FY, ZA, ZF	1.3	1973.05 - 1980.07 1973.05 - 1980.07	Chassis No →328 2300 000 Chassis No 329 2000 001→	6010.92D 6020.95D
1.5	YJ, ZB, ZC	1.5	1973.05 - 1975.12		6010.92D
1.5 D	CK	1.5	1977.02 - 1980.07 1977.02 - 1980.07	Chassis No →328 2300 000 Chassis No 329 2000 001→	6010.92D 6020.95D
1.6	FS, YN, YP	1.6	1975.08 - 1980.07 1975.08 - 1980.07	Chassis No →328 2300 000 Chassis No 329 2000 001→	6010.92D 6020.95D
1.6 D	CR	1.6	1979.02 - 1980.07 1979.02 - 1980.07	Chassis No →328 2300 000 Chassis No 329 2000 001→	6010.92D 6020.95D

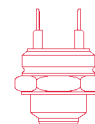


Thermoschalter
Thermoswitches
Thermocontact

VOLKSWAGEN

	Motor Engine Moteur	Ltr. Ltr. Ltr.	Jahr Year Année	Einschränkung Restriction* Restriction*	Thermoschalter Thermoswitches Thermocontact
1.6 i	YS	1.6	1978.06 - 1980.07 1978.06 - 1980.07	Chassis No →328 2300 000 Chassis No 329 2000 001→	6010.92D 6020.95D
PASSAT (32B)					
1.3	EP, EU, FY, FZ	1.3	1980.08 - 1986.07 1980.08 - 1986.07		6017.95D 6020.95D
1.6	DT, PP, RL, WV, YN, YP	1.6	1980.08 - 1988.03 1980.08 - 1988.03		6017.95D 6020.95D
1.6 D	CR, JK	1.6	1980.08 - 1988.03 1980.08 - 1988.03		6017.95D 6020.95D
1.6 TD	CY, RA	1.6	1982.04 - 1988.03 1982.04 - 1988.03		6017.95D 6020.95D
1.8	DS, DZ, JN, JV, RM	1.8	1983.01 - 1988.03 1983.01 - 1988.03		6017.95D 6020.95D
1.9	WN	1.9	1981.01 - 1983.07 1981.01 - 1983.07		6017.95D 6020.95D
2.0	HP, JS	2.0	1983.08 - 1988.03 1983.08 - 1988.03		6017.95D 6020.95D
2.2	JT, KV, KX	2.2	1985.01 - 1988.03 1985.01 - 1988.03		6017.95D 6020.95D
PASSAT (35I, 3A2, 3A5)					
1.6	1F, ABN, AEK, AFT, EZ	1.6	1988.02 - 1991.09 1988.02 - 1991.09 1994.07 - 1996.08 1994.07 - 1996.08		6017.95D 6020.95D 6037.95D 6039.95D
1.6 TD	RA, SB	1.6	1988.08 - 1993.09 1988.08 - 1993.09		6017.95D 6020.95D
1.8	AAM, ABS, ADZ, PB, PF, RP	1.8	1988.02 - 1997.05 1988.02 - 1997.05 1990.08 - 1997.05 1990.08 - 1997.05		6017.95D 6020.95D 6037.95D 6039.95D
1.8 16V	KR	1.8	1988.04 - 1989.12 1988.04 - 1989.12		6017.95D 6020.95D
1.8 G60	PG	1.8	1988.08 - 1997.05		6017.95D
1.8 GL	KR	1.8	1991.08 - 1993.09 1991.08 - 1993.09		6017.95D 6020.95D
1.9 D	1Y	1.9	1989.05 - 1993.10 1989.05 - 1993.10		6017.95D 6020.95D
1.9 TD	AAZ	1.9	1991.03 - 1997.05 1991.03 - 1997.05		6037.95D 6039.95D
1.9 TDI	1Z, AFN, AHU	1.9	1993.10 - 1997.05 1993.10 - 1997.05		6037.95D 6039.95D
2.0	2E, ADY, AEP, AGG	2.0	1990.02 - 1997.05 1990.02 - 1997.05 1995.03 - 1996.08 1995.03 - 1996.08		6017.95D 6020.95D 6037.95D 6039.95D
2.0 16V	9A, ABF	2.0	1988.08 - 1993.09 1988.08 - 1993.09 1994.01 - 1997.05 1994.01 - 1997.05		6017.95D 6020.95D 6037.95D 6039.95D
2.8 VR6	AAA	2.8	1991.06 - 1997.05 1991.06 - 1997.05		6037.95D 6039.95D
2.9 VR6	ABV	2.9	1994.01 - 1997.05 1994.01 - 1997.05		6037.95D 6039.95D

Thermoschalter
Thermoswitches
Thermocontact



VOLKSWAGEN	Motor Engine Moteur	Ltr. Ltr. Ltr.	Jahr Year Année	Einschränkung Restriction* Restriction*	Thermoschalter Thermoswitches Thermocontact
PASSAT (3B2, 3B5)					
1.6	ADP, AHL, ANA, ARM	1.6	1996.10 - 2000.11 1996.10 - 2000.11		6017.95D 6024.95D
1.8	ADR, APT, ARG	1.8	1996.10 - 2000.11 1996.10 - 2000.11		6017.95D 6024.95D
1.8 T	AEB, ANB, APU	1.8	1996.10 - 2000.11 1996.10 - 2000.11		6017.95D 6024.95D
1.9 TDI	AFN, AHH, AHU, AJM, ATJ, AVG	1.9	1996.10 - 2000.11 1996.10 - 2000.11		6017.95D 6024.95D
2.3 VR5	AGZ	2.3	1996.10 - 2000.11 1996.10 - 2000.11		6017.95D 6024.95D
2.5 TDI	AFB, AKN	2.5	1998.07 - 2000.11 1998.07 - 2000.11		6017.95D 6024.95D
2.8	AGE	2.8	1997.05 - 1999.09 1997.05 - 1999.09		6017.95D 6024.95D
2.8 V6	ACK, ALG, APR, AQD	2.8	1996.08 - 2000.11 1996.08 - 2000.11		6017.95D 6024.95D
POLO (80, 86, 86C) 1975-->1994					
0.8	HE	0.8	1975.09 - 1981.09 1975.09 - 1981.09	Chassis No →868 2600 000 Chassis No 869 2500 001→	6010.92D 6020.95D
0.9	HA	0.9	1981.10 - 1981.12 1975.09 - 1981.09 1975.09 - 1981.12	Chassis No →868 2600 000 Chassis No 869 2500 001→	6017.95D 6010.92D 6020.95D
1.0	AAK, AAU, ACM, GL, HZ	1.0	1981.10 - 1994.09 1981.10 - 1994.09 1985.08 - 1994.09 1985.08 - 1994.09	Chassis No →80 P 500 000 Chassis No →80 P 500 000 Chassis No 80 R 000 001→ Chassis No 80 R 000 001→	6017.95D 6020.95D 6037.95D 6039.95D
1.1	HB, HC	1.1	1981.10 - 1989.09 1975.03 - 1981.09 1975.03 - 1989.09	Chassis No →868 2600 000 Chassis No 869 2500 001→	6017.95D 6010.92D 6020.95D
1.3	2G, 3F, AAV, GK, GT, HH, HJ, HK, MH, NZ	1.3	1976.12 - 1981.09 1981.10 - 1994.09 1976.12 - 1994.09 1987.07 - 1994.09 1987.07 - 1994.09	Chassis No →868 2600 000 Chassis No →80 P 500 000 Chassis No 869 2500 001→ →80 P 500 000 Chassis No 80 R 000 001→ Chassis No 80 R 000 001→	6010.92D 6017.95D 6020.95D 6037.95D 6039.95D
1.3 D	MN	1.3	1986.08 - 1990.08 1986.08 - 1990.08		6017.95D 6020.95D

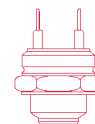


Thermoschalter
Thermoswitches
Thermocontact

VOLKSWAGEN

	Motor Engine Moteur	Ltr. Ltr. Ltr.	Jahr Year Année	Einschränkung Restriction* Restriction*	Thermoschalter Thermoswitches Thermocontact
1.3 G40	PY	1.3	1987.01 - 1994.09	Chassis No →80 P 500 000	6017.95D
			1987.01 - 1994.09	Chassis No →80 P 500 000	6020.95D
			1990.08 - 1994.09	Chassis No 80 R 000 001→	6037.95D
			1990.08 - 1994.09	Chassis No 80 R 000 001→	6039.95D
1.4 D	1W	1.4	1990.08 - 1994.09	Chassis No →80 P 500 000	6017.95D
			1990.08 - 1994.09	Chassis No →80 P 500 000	6020.95D
			1990.08 - 1994.09	Chassis No 80 R 000 001→	6037.95D
			1990.08 - 1994.09	Chassis No 80 R 000 001→	6039.95D
POLO (6N_) 1994-->1999					
1.0	AAU	1.0	1994.10 - 1999.12	Chassis No →80 P 500 000	6017.95D
			1994.10 - 1999.12	Chassis No →80 P 500 000	6020.95D
			1994.10 - 1999.12	Chassis No 80 R 000 001→	6037.95D
			1994.10 - 1999.12	Chassis No 80 R 000 001→	6039.95D
1.4	AEX, APQ	1.4	1998.05 - 1999.12		6037.95D
			1998.05 - 1999.12		6039.95D
1.7 SDI	AHG, AKU	1.7	1997.04 - 1999.12		6037.95D
			1997.08 - 1999.12		6039.95D
1.9 D	AEF	1.9	1994.10 - 1999.12		6037.95D
			1994.10 - 1999.12		6039.95D
1.9 SDI	AGD	1.9	1996.07 - 1999.12		6037.95D
			1996.07 - 1999.12		6039.95D
100 1.4 16V	AFH	1.4	1996.04 - 1999.10		6037.95D
			1996.04 - 1999.10		6039.95D
120 1.6 16V GTI	AJV	1.6	1998.09 - 1999.10		6037.95D
			1998.09 - 1999.10		6039.95D
45 1.0	AEV	1.0	1994.10 - 1996.09		6037.95D
			1994.10 - 1996.09		6039.95D
50 1.0	AER, ALL	1.0	1996.09 - 1999.10		6037.95D
			1996.09 - 1999.10		6039.95D
55 1.3	ADX	1.3	1994.10 - 1995.07		6037.95D
			1994.10 - 1995.07		6039.95D
55 1.4	AEX	1.4	1995.08 - 1999.10		6037.95D
			1995.08 - 1999.10		6039.95D
60 1.4	AEX, AKV, APQ	1.4	1995.07 - 1999.10		6037.95D
			1995.07 - 1999.10		6039.95D
60 1.7 SDI	AKU	1.7	1997.08 - 1999.10		6037.95D
			1997.08 - 1999.10		6039.95D
64 1.9 D	AEF	1.9	1994.10 - 1999.10		6037.95D
			1994.10 - 1999.10		6039.95D
64 1.9 SDI	AGD	1.9	1996.07 - 1999.10		6037.95D
			1996.07 - 1999.10		6039.95D
75 1.6	AEA, AEE, AHS	1.6	1994.10 - 1999.10		6037.95D
			1994.10 - 1999.10		6039.95D

Thermoschalter
Thermoswitches
Thermocontact



VOLKSWAGEN

	Motor Engine Moteur	Ltr. Ltr. Ltr.	Jahr Year Année	Einschränkung Restriction* Restriction*	Thermoschalter Thermoswitches Thermocontact
POLO (6KV2, 6KV5, 6N2) 1999-->2002					
1.0	ALD, AUC	1.0	1999.10 - 2001.09 1999.10 - 2001.09		6037.95D 6039.95D
1.4	AEX, AKK, AKP, AKV, ANW, ANX, APQ, AUD	1.4	1997.05 - 2001.09 1997.05 - 2001.09		6037.95D 6039.95D
1.4 16V	AFK, AHW, APE, AQQ, AUA, AUB	1.4	1999.10 - 2001.09 1999.10 - 2001.09		6037.95D 6039.95D
1.6	AEE, AEH, AFT, AKL, ALM, APF, AUR	1.6	1997.05 - 2001.09 1997.05 - 2001.09		6037.95D 6039.95D
1.6 16V GTI	ARC, AVY	1.6	1999.10 - 2001.09		6039.95D
1.7 SDI	AKU, AKW	1.7	1997.08 - 2001.09 1997.08 - 2001.09		6037.95D 6039.95D
1.8	ADZ	1.8	1997.05 - 2001.09 1997.05 - 2001.09		6037.95D 6039.95D
1.9 D	AEF	1.9	1999.10 - 2001.09 1999.10 - 2001.09		6037.95D 6039.95D
1.9 SDI	AEY, AGD, AGP, AQM, ASX	1.9	1997.06 - 2001.09 1997.06 - 2001.09		6037.95D 6039.95D
1.9 TDI	AFN, AGR, AHU, ALE, ALH, ASV	1.9	1997.05 - 2001.09 1997.05 - 2001.09		6037.95D 6039.95D
100 1.6	AEH, AFT, AKL, APF, AUR	1.6	1995.12 - 2001.09 1995.12 - 2001.09		6037.95D 6039.95D
110 1.9 TDI	AFN, ASV	1.9	1998.06 - 2001.09 1998.06 - 2001.09		6037.95D 6039.95D
2.0	ADC	2.0	1999.08 - 2001.09 1999.08 - 2001.09		6037.95D 6039.95D
54 1.4	ANX	1.4	1998.01 - 1999.08 1998.01 - 1999.08		6037.95D 6039.95D
57 1.7 SDI	AKW	1.7	1997.07 - 2001.09 1997.07 - 2001.09		6037.95D 6039.95D
60 1.4	AEX, AKK, AKV, ANW, APQ, AUD	1.4	1995.12 - 2001.09 1995.12 - 2001.09		6037.95D 6039.95D
64 1.9 SDI	AEY	1.9	1995.12 - 1999.08 1995.12 - 1999.08		6037.95D 6039.95D
68 1.9 SDI	AGP, AQM	1.9	1999.08 - 2001.09 1999.08 - 2001.09		6037.95D 6039.95D
75 1.4 16V	APE, AUA	1.4	1999.10 - 2001.09 1999.10 - 2001.09		6037.95D 6039.95D
75 1.6	1F, AEE, ALM	1.6	1995.11 - 2001.09 1995.11 - 2001.09		6037.95D 6039.95D
90 1.8	ADD	1.8	1997.01 - 2001.09 1997.01 - 2001.09		6037.95D 6039.95D
90 1.9 TDI	AGR, AHU, ALE, ALH	1.9	1996.09 - 2001.09 1996.09 - 2001.09		6037.95D 6039.95D
SANTANA (32B)					
1.3	FZ	1.3	1981.08 - 1983.07 1981.08 - 1983.07		6017.95D 6020.95D
1.6	DT, WV, YP	1.6	1981.08 - 1984.12 1981.08 - 1984.12		6017.95D 6020.95D
1.6 D	CR, JK	1.6	1981.08 - 1984.12 1981.08 - 1984.12		6017.95D 6020.95D
1.6 TD	CY	1.6	1981.12 - 1984.12 1981.12 - 1984.12		6017.95D 6020.95D
1.8	DS	1.8	1983.01 - 1984.12 1983.01 - 1984.12		6017.95D 6020.95D
1.9	WN	1.9	1981.08 - 1983.07 1981.08 - 1983.07		6017.95D 6020.95D

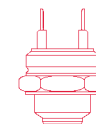


Thermoschalter
Thermoswitches
Thermocontact

VOLKSWAGEN

	Motor Engine Moteur	Ltr. Ltr. Ltr.	Jahr Year Année	Einschränkung Restriction* Restriction*	Thermoschalter Thermoswitches Thermocontact
2.0	HP, JS	2.0	1983.08 - 1984.12 1983.08 - 1984.12		6017.95D 6020.95D
SCIROCCO (53, 53B)					
1.5	JB	1.5	1980.08 - 1983.12 1980.08 - 1983.12		6017.95D 6020.95D
1.6	EW, RE	1.6	1983.01 - 1990.07 1983.01 - 1990.07		6017.95D 6020.95D
1.8	DX, EV, EX, JH, JJ, PB	1.8	1982.08 - 1992.07 1982.08 - 1992.07		6017.95D 6020.95D
1.8 16V	KR, PL	1.8	1985.10 - 1992.07 1985.10 - 1992.07		6017.95D 6020.95D
SHARAN					
1.8 T 20V	AJH, AWC	1.8	1997.09 -		6037.95D
1.9 TDI	1Z, AFN, AHU, ANU, ASZ, AUZ, AVG, BVK	1.9	1995.09 - 2000.04		6037.95D
2.0	ADY, ATM	2.0	1995.09 -		6037.95D
2.8 V6 24V	AYL	2.8	2000.04 -		6037.95D
2.8 VR6	AAA, AMY	2.8	1995.09 - 2000.04		6037.95D
TRANSPORTER T3					
1.6 D	CS	1.6	1981.01 - 1987.07	Chassis No 24 F 000 001→	6087.87D
1.6 TD	JX	1.6	1984.08 - 1992.07	Chassis No 24 F 000 001→	6087.87D
1.7 D	KY	1.7	1986.10 - 1992.07		6087.87D
1.9	DF, DG, DH, GW	1.9	1982.08 - 1992.07 1982.08 - 1992.07 1982.08 - 1992.07	Chassis No →24 E 200 000 Chassis No 24 D 000 001→ Chassis No 24 F 000 001→	6017.95D 6020.95D 6087.87D
2.1	DJ, MV, SR	2.1	1985.08 - 1992.07		6087.87D
2.1 i	SS	2.1	1989.07 - 1992.07		6087.87D
TRANSPORTER T4					
1.8	PD	1.8	1990.12 - 1992.07		6087.87D
1.9 D	1X	1.9	1990.07 - 2003.04 1990.07 - 2003.04	Chassis No →70 P 250 000 Chassis No 70 R 000 001→	6087.87D 6037.87D
1.9 TD	ABL	1.9	1992.10 - 2003.04 1992.10 - 2003.04	Chassis No →70 P 250 000 Chassis No 70 R 000 001→	6087.87D 6037.87D
2.0	AAC	2.0	1990.07 - 2003.04 1990.07 - 2003.04	Chassis No →70 P 250 000 Chassis No 70 R 000 001→	6087.87D 6037.87D
2.4 D	AAB, AJA	2.4	1990.07 - 1998.09 1990.07 - 2003.04 1990.07 - 1998.09		6037.81D 6037.87D 6087.87D
2.5	AAF, ACU, AEN, AET, AEU, APL, AVT	2.5	1990.11 - 2003.04 1990.11 - 2003.04	Chassis No →70 P 250 000 Chassis No 70 R 000 001→	6087.87D 6037.87D
2.5 TDI	ACV, AHY, AJT, AUF, AXG, AXL, AYC, AYY	2.5	1995.09 - 2003.04		6037.87D

Thermoschalter
Thermoswitches
Thermocontact



VOLKSWAGEN	Motor Engine Moteur	Ltr. Ltr. Ltr.	Jahr Year Année	Einschränkung Restriction* Restriction*	Thermoschalter Thermoswitches Thermocontact
2.8 V6	AMV	2.8	2000.04 - 2003.04		6037.87D
2.8 VR 6	AES	2.8	1995.11 - 2000.04		6037.87D
VENTO					
1.4	ABD, AEX	1.4	1991.11 - 1998.09	Chassis No →1H P 990 000	6017.95D
			1991.11 - 1998.09	Chassis No →1H P 990 000	6020.95D
			1991.11 - 1998.09	Chassis No 1H R 000 001→	6037.95D
1.6	ABU, AEA, AEE, AEK, AFT	1.6	1992.09 - 1998.09	Chassis No →1H P 990 000	6017.95D
			1992.09 - 1998.09	Chassis No →1H P 990 000	6020.95D
			1992.09 - 1998.09	Chassis No 1H R 000 001→	6037.95D
1.8	AAM, ABS, ADZ	1.8	1991.11 - 1998.09	Chassis No →1H P 990 000	6017.95D
			1991.11 - 1998.09	Chassis No →1H P 990 000	6020.95D
			1991.11 - 1998.09	Chassis No 1H R 000 001→	6037.95D
1.9 D	1Y	1.9	1991.11 - 1998.09	Chassis No →1H P 990 000	6017.95D
			1991.11 - 1998.09	Chassis No →1H P 990 000	6020.95D
			1991.11 - 1998.09	Chassis No 1H R 000 001→	6037.95D
1.9 SDI	AEY	1.9	1997.04 - 1998.09		6037.95D
			1997.04 - 1998.09		6039.95D
1.9 TD	AAZ	1.9	1991.11 - 1998.09	Chassis No →1H P 990 000	6017.95D
			1991.11 - 1998.09	Chassis No →1H P 990 000	6020.95D
			1991.11 - 1998.09	Chassis No 1H R 000 001→	6037.95D
1.9 TDI	1Z, AFN, AHU, ALE	1.9	1996.04 - 1998.09		6039.95D
			1993.09 - 1998.09	Chassis No →1H P 990 000	6017.95D
			1993.09 - 1998.09	Chassis No →1H P 990 000	6020.95D
			1993.09 - 1998.09	Chassis No 1H R 000 001→	6037.95D
2.0	2E, ADY, AGG, AKR	2.0	1991.11 - 1998.09	Chassis No →1H P 990 000	6017.95D
			1991.11 - 1998.09	Chassis No →1H P 990 000	6020.95D
			1991.11 - 1998.09	Chassis No 1H R 000 001→	6037.95D
2.8 VR6	AAA	2.8	1992.01 - 1998.09	Chassis No →1H P 990 000	6017.95D
			1992.01 - 1998.09	Chassis No →1H P 990 000	6020.95D
			1992.01 - 1998.09	Chassis No 1H R 000 001→	6037.95D



Thermoschalter
Thermoswitches
Thermocontact

WARTBURG

Motor
Engine
Moteur

Ltr.
Ltr.
Ltr.

Jahr
Year
Année

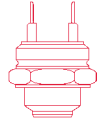
Einschränkung
Restriction*
Restriction*

Thermoschalter
Thermoswitches
Thermocontact

353

1.0	1A, 353, 18	1.0	1966.06 - 1989.01 1975.02 - 1988.08		6020.92D 6020.95D
1.3	4VO7, 2/7, 5GRF	1.3	1988.09 - 1991.05		6020.95D

Thermoschalter
Thermoswitches
Thermocontact



ZASTAVA

	Motor Engine Moteur	Ltr. Ltr. Ltr.	Jahr Year Année	Einschränkung Restriction* Restriction*	Thermoschalter Thermoswitches Thermocontact
101 (1100)					
1.1	128 A.000, 128 A.064	1.1	1973.06 - 1993.12		6010.95D
1.1 Super	128 AC 5000	1.1	1979.07 - 1981.09		6010.95D
YUGO					
1.1 60 EFI (145 A)	100 GL. 0.64, 11 E 1.064	1.1	1991.08 - 1995.06		6010.95D
1.3 65 EFI (145 A)	13 E 1.064	1.3	1991.08 - 1995.06		6010.95D
YUGO FLORIDA					
1.3 (103 A)	13 E.3.064	1.3	1991.03 -		6010.95D



Vergleichsliste
Cross References
Liste de Correspondances

Hersteller Manufacturer Constructeur	Hersteller-Nr. Manufacturer's Ref. Réf. Constructeurs	Wahler-Nr. Wahler-ref. Réf. Wahler	Hersteller Manufacturer Constructeur	Hersteller-Nr. Manufacturer's Ref. Réf. Constructeurs	Wahler-Nr. Wahler-ref. Réf. Wahler	
ALFA ROMEO	105.00.01.064.00	3000.83	AUTOBIANCHI	4355 8460	4091.82	
	105.00.01.064.01	3000.83		4355 8460	4091.82D ▲	
	605 04230	4003.86		4409 2540	4091.82	
	605 16212	4160.83D		4409 2540	4091.82D ▲	
	6066 3619	410590.88D ▲		7545 9580	3105.87D	
	607 10617	3067.83		7581 3190	3105.87D	
	607 13535	4008.79D				
	6081 5681	410512.88D ▲		BMW	11 51 7 500 597	410793.95D ▲
	6081 6681	410511.88D ▲			11 53 0 139 877	4326.97D
	761 5234	4022.82D1			11 53 1 247 125	410792.95D ▲
		11 53 1 251 041	4231.80D			
		11 53 1 253 248	3344.80			
		11 53 1 253 249	3344.80			
		11 53 1 254 065	4231.80D			
		11 53 1 260 720	3344.75			
		11 53 1 264 668	4232.80D			
		11 53 1 265 085	4232.80D			
ASTON MARTIN	52 06 139	3004.82	11 53 1 265 086	4232.71		
			11 53 1 309 786	4345.80		
AUDI	025 121 113 D	4155.87D	11 53 1 311 654	4345.80		
	025 121 113 E	4155.87D	11 53 1 312 288	4619.80		
	025 121 113 F	4155.87D	11 53 1 315 063	4619.80		
	030 121 113 B	4264.84D	11 53 1 315 537	4345.80		
	032 121 110 B	3143.87D	11 53 1 318 274	4621.80D		
	032 121 110 P	3143.87D	11 53 1 432 881	410792.95D ▲		
	035 121 113	4088.80D	11 53 1 436 823	4326.97D		
	035 121 113 B	4088.87D	11 53 1 437 040	4326.97D		
	036 121 113	3091.92D	11 53 1 466 174	4235.71D		
	036 121 113 A	3091.92D	11 53 1 485 847	410263.91D ▲		
	036 121 113 B	3091.92D	11 53 1 501 173	410263.91D ▲		
	044 121 113	4264.87D	11 53 1 702 279	4519.95D		
	050 121 113 C	3141.87D	11 53 1 704 704	4594.90D		
	052 121 113 A	3091.92D	11 53 1 710 056	4516.85D		
	056 121 113 A	4256.80D	11 53 1 710 953	4235.80D		
	056 121 113 D	4264.87D	11 53 1 712 043	4238.92D		
	059 121 113 A	4006.82D	11 53 1 713 040	4235.80D		
	059 121 113 B	4006.82D	11 53 1 720 033	4516.85D		
	068 121 113 H	4253.87D	11 53 1 720 306	4516.85D		
	069 121 113	4116.87D1	11 53 1 721 002	4236.88D		
	075 121 113 D	4123.80D	11 53 1 721 003	4236.88D		
	077 121 113	4274.87D	11 53 1 727 145	4237.80D		
	077 121 113 C	4274.82D	11 53 1 729 720	4516.85D		
	078 121 113 C	4274.87D	11 53 1 729 841	4516.85D		
	078 121 113 F	4274.87D	11 53 1 731 486	4516.70D		
	078 121 113 G	4274.92D	11 53 1 733 803	4236.92D		
	078 121 113 H	4274.92D	11 53 1 739 755	410792.95D ▲		
	078 121 113 J	4274.87D	11 53 1 743 528	4238.92D		
	191 959 481 B	6020.95D	11 53 1 743 542	4238.92D		
	1H0 959 481	6037.95D	11 53 2 243 126	4237.80D		
	1H0 959 481 B	6037.95D	11 53 2 244 151	4237.80D		
	251 959 481	6017.95D	11 53 2 246 199	4237.80D		
	321 959 481 A	6017.95D	11 53 2 246 825	4237.88D		
	321 959 481 C	6017.95D	11 53 7 502 779	4508.105D		
	321 959 481 D	6017.95D	11 53 7 509 227	4326.97D		
	321 959 481 E	6020.95D	11 53 7 510 959	4337.105D		
	811 959 481	6024.95D	11 53 7 511 083	4236.92D		
	823 959 481	6010.92D	11 53 7 511 580	4236.88D		
	823 959 481 A	6010.92D	11 53 7 549 476	410086.97D0 ▲		
	823 959 481 F	6010.92D	11 53 7 550 172	410087.97D0 ▲		
	823 959 481 G	6010.95D				
	867 959 481	6039.95D				
893 959 481	6024.95D					
AUTOBIANCHI	421 8649	3345.79				
	426 3997	6010.95D				

Vergleichsliste
Cross References
Liste de Correspondances



Hersteller Manufacturer Constructeur	Hersteller-Nr. Manufacturer's Ref. Réf. Constructeurs	Wahler-Nr. Wahler-ref. Réf. Wahler	Hersteller Manufacturer Constructeur	Hersteller-Nr. Manufacturer's Ref. Réf. Constructeurs	Wahler-Nr. Wahler-ref. Réf. Wahler	
BMW	11 53 7 586 885	4508.105D	CITROËN	79 100 165 60	3136.82D50	
	11 53 7 596 787	410263.91D ▲		91 500 723	3061.82	
	11 53 7 791 072	410044.82D		93 501 145	4147.80D	
	11 53 9 055 587	3344.80		93 501 386	4147.80D	
	13 54 1 730 682	7129.00D		95 492 929	3033.78	
BUGATTI	271990009-00	4618.70	95 492 929	3033.78D		
	27199003-00	4618.82	95 495 311	3033.84		
CATERPILLAR	4 N 6958	4256.80D	95 495 311	3033.84D		
	4 N 6959	4256.80D	96 006 231	4821.89D		
	9 L 9119	4256.80D	96 049 146	3136.88D50		
	9 L 9652	4256.80D	96 050 286 80	3136.88D50		
	9 N 5020	4256.80D	96 057 136	3136.88D50		
	9 N 5065	4256.80D	96 058 051	4447.85D		
	9 N 5121	4256.80D	96 108 092	4450.89D		
	9 N 5488	4256.80D	96 118 108	4447.80D		
CHEVROLET	92 062 728	4189.87D	96 145 00 980	410058.84D ▲		
	92 067 408	4189.87D	96 159 513	4147.80D		
	96 143 939	3017.87D2	96 160 901	4446.83D		
CHRYSLER	04494469	3000.90	96 171 780 80	3136.82D50		
	04778 975	4158.80D	DAEWOO	110 200 03 15	4276.87D	
	3156283	3000.83		90 354 822	4144.92D	
	4131 240	3004.88		92 061 279	4180.82D	
	4693117AA	410263.91D ▲		DAF	075 0562	4619.80
	4778 975	4158.80D			129 3885 / F75-85-95	411133.80D
	5 278 144 AA	410262.91D ▲			130 3061	411089.83D
	5098 918AA	4281.87D			135 6473	411089.87D
	52028185	3000.90			143 9844	411089.83D
	52028185AB	3000.90			143 9845	411089.87D
6801 3949 AA	4833.100D ▲	166 1277			411089.83D	
T 069 7157	4147.80D	166 1375	411089.87D			
CITROËN	1336 A7	3431.80D	166 1375 / 85 CF		411134.87D	
	1336 Q2	410184.89D ▲	166 1375 / CF 75		411135.87D	
	1336-Z0	410705.89D ▲	166 1375 / XF105	411127.87D		
	1338 11	3136.88D50	168 4900	411089.83D		
	1338 21	4821.89D	168 4900 / 85 CF	411134.83D		
	1338 23	4446.83D	168 4900 / CF 75	411135.83D		
	1338 26	4450.89D	168 4900 / XF105	411127.83D		
	1338 38	410058.84D ▲	225.070	3029.83		
	1338 39	4450.83D	295 024	4619.80		
	1338 44	3136.88D50	750 562	4619.80		
	1338 71	4447.85D	DAIHATSU	90048-33011-000	3044.90	
	1338 72	4447.80D		90048-33021-000	3119.88	
	5411412	3053.72		90048-33029-000	4126.88	
	5430115	3053.78		90048-33047	410182.84D ▲	
	5454410R	3033.78		90048-33056	410182.84D ▲	
	5454410R	3033.78D		90048-33078	410179.84D ▲	
	5474546	6010.88D		90048-33083	410179.84D ▲	
	5490459C	3033.78		90048-33088	410201.80D ▲	
	5490459C	3033.78D		90048-33092	410179.84D ▲	
	75441833	3033.78		90916-03040-000	3119.82	
	75441833	3033.78D		90916-03046-000	4103.82	
	79 100 111 01	3136.82D50		90916-03046-000	4103.82D ▲	
	79 100 118 80	3136.88D50		90916-03090-000	3478.82D	
	79 100 143 90	3136.82D50		DETROIT DIESEL	8929878	4619.86



Vergleichsliste
Cross References
Liste de Correspondances

Hersteller Manufacturer Constructeur	Hersteller-Nr. Manufacturer's Ref. Réf. Constructeurs	Wahler-Nr. Wahler-ref. Réf. Wahler	Hersteller Manufacturer Constructeur	Hersteller-Nr. Manufacturer's Ref. Réf. Constructeurs	Wahler-Nr. Wahler-ref. Réf. Wahler
DEUTZ-FAHR	1227 0073	2393.75	FIAT	4654 6375	410512.88D ▲
	1227 0074	2391.75		467 4169	4008.74D
	1285 0152	4007.80D		4673 7644	3151.87D
	1285 1663	4007.80D		4675 8586	410591.88D ▲
	9011 0080	410864.83D0		4677 6216	3481.88D
	9011 0080	4684.83/1		4677 6217	3163.88D
DODGE	5080 146 AB	410171.87D ▲	4677 6218	3164.88	
	F 150.204.050.011	2391.75	4678 5392	410589.88D ▲	
	F 281.200.050.020	2389.75/1	4679 0294	410511.88D ▲	
			4680 4764	410994.88D ▲	
EVOBUS	83 129 996 050	4105.83D	4681 8413	3431.80D	
			470 3624	4008.74D	
FENDT	F 150 204 050 10	2391.75	470 3625	4008.74D	
	F 150 204 050 11	2391.75	475 0024	4008.79D	
	F 281 200 050 20	2389.75/1	482 3226	4008.74D	
	X815.090.002.000	2391.75	482 6602	4151.76D	
	X815.090.003.000	2389.75/1	5 0032 9622	4174.82D	
			50 415 0562	410081.79D ▲	
FIAT	13 0707 7080	6031.88D	547 4546	6010.88D	
	2828 6103	6010.92D	5518 7784	410049.88D ▲	
	406 2141	3000.83	5519 3669	410090.88D ▲	
	406 2172	3000.83	5519 4029	410090.88D ▲	
	406 5540	3000.83	5519 4271	410048.88D ▲	
	408 6415	3000.83	5520 2176	410090.88D ▲	
	411 4572	6010.92D	5520 2373	410048.88D ▲	
	413 8169	3000.83	5520 2510	410049.88D ▲	
	415 4312	3023.87D	5520 3388	410049.88D ▲	
	415 4313	3023.87D	594 2240	3355.80D	
	4218 6500	3345.79	595 0116	3159.82D	
	422 0309	4033.82D	595 1985	6016.92	
	423 5333	6010.92D	595 1987	6016.92	
	423 5533	6010.92D	595 8828	6033.88	
	424 0878	6010.92D	596 4120	3343.80D	
	426 3597	6010.92D	596 6787	3361.87D	
	429 2856	3347.80	596 9749	3361.87D	
	431 1105	3022.87D	599 2746	6031.92D	
	431 7492	3022.87D	6056 4101	6031.92D	
	434 0878	6010.95D	6065 3946	410514.88D ▲	
	435 1196	4091.82	6080 8223	6031.92D	
	435 1196	4091.82D ▲	6081 4382	410514.88D ▲	
	440 9254	4091.82	7 564 583	3159.82D	
	440 9254	4091.82D ▲	7 615 234	3159.82D	
	442 3976	3343.80D	7 615 235	3159.82D	
	443 7481	4033.82D	7173 9800	4357.92D ▲	
	4641 7962	410515.88D ▲	7174 4389	4431.105D ▲	
	4646 4992	3481.88D	730 3174	4151.79D	
	4646 6123	4247.80D	730 3615	4151.79D	
	4647 7717	6035.92	754 0318	4022.82D1	
	4647 7717	6035.92D	754 5958	3105.87D	
	465 5782	4008.74D	755 4544	3383.87	
	4651 3506	3481.88D	757 0837	6031.97D	
	4652 0219	6031.97D	757 6281	6040.88	
	4652 0785	410513.88D ▲	758 1200	3109.87D	
4652 2664	3163.88D	758 1201	3109.87D		
4652 3118	3151.87D	758 9135	3105.87D		
4652 3733	3481.88D	7581 635	3109.82D		
4652 5581	4246.80D	759 7659	3431.80D		
4653 6104	3164.88	759 9824	3431.80D		
		761 3433	3378.80 •		

Vergleichsliste
Cross References
Liste de Correspondances



Hersteller Manufacturer Constructeur	Hersteller-Nr. Manufacturer's Ref. Réf. Constructeurs	Wahler-Nr. Wahler-ref. Réf. Wahler	Hersteller Manufacturer Constructeur	Hersteller-Nr. Manufacturer's Ref. Réf. Constructeurs	Wahler-Nr. Wahler-ref. Réf. Wahler
FIAT	762 5346	3431.80D	FORD	1 509 953	3021.88D50
	762 5347	3431.80D		1 517 858	3021.88D50
	762 6622	3361.87D		1 518 627	3004.74
	762 8417	3360.87D		1 520 969	3021.88D50
	762 8527	3355.80D		1 607 993	3004.74
	762 8799	6033.88		1 612 191	4147.80D
	765 5732	6035.92		1 635 905	3021.88D50
	765 5732	6035.92D		1 649 194	3021.88
	765 6384	3373.80D		1 663 819	4270.88D
	765 6385	3373.80D		1 953 231	4635.76
	765 6567	4022.82D1		1 961 674	4635.76
	769 2450	3383.87		3 257 449	3119.88
	769 6535	3383.87		3 396 924	4639.82D
	772 1399	4434.80D		3 599 763	4639.82D
	772 2107	3485.87D		3 893 570	4639.82D
	772 9959	410007.87D		3 902 514	4639.82D
	774 1883	3302.80D		4 176 181	4639.82D
	774 8867	6031.92D		4 188 498	4639.82D
	775 9596	3484.87D		4 356 548	3100.92D ▲
	777 0236	4436.80D		4M5G 6L721 GA	4825.98D ▲
	777 0416	3301.80D		4M5G 6L721 GB	4825.98D ▲
	777 3790	410956.83D ▲		4M5G 8575 ZA	4483.82D
	779 1178	410516.88D ▲		5 004 887	3021.88D50
	779 4132	3300.80D		5 004 890	3004.92D1
	779 4218	410513.88D ▲		5 004 891	3004.92D1
	8242 0013	6031.92D		6 058 444	4256.92D50
	8243 6410	6031.92D		6 058 784	3053.75
	8246 5533	6031.92D		6 072 016	6010.95D
	8247 7919	6031.92D		6 077 895	6010.95D
	881 9078	4565.70		6 077 896	6010.95D
	882 9564	4565.70		6 077 897	6010.95D
	907 0701	6031.92D		6 077 898	6010.95D
	9150 0723 80	3061.82		6 077 985	6010.95D
9616 0901 80	4446.83D	6 085 917	3021.88D50		
9616 0902 80	4450.83D	6 085 918	3021.88D50		
9845 0800	3103.79	6 100 372	4256.87D50		
9846 3637	4174.79D	6 100 629	3021.92D50		
9849 8831	3116.82D	6 100 630	3021.88D50		
FORD	0 801 587	4256.87D50	6 106 381	4256.87D50	
	1 001 993	4270.88D	6 124 378	4256.87D50	
	1 002 788	4264.87D	6 144 361	6010.88D	
	1 007 754	4457.82D	6 153 501	4270.88D	
	1 018 799	4123.80D	6 169 774	410131.88D ▲	
	1 031 881	4264.87D	6 173 232	3004.88	
	1 032 249	4123.80D	6 176 366	4256.87D50	
	1 086 282	410131.88D ▲	6 182 480	4147.80D	
	1 096 283	3497.88D	6 201 207	3021.88D50	
	1 096 699	4264.87D	6 201 247	3021.88D50	
	1 211 553	4457.82D	6 526 879	3004.92D1	
	1 303 374	4457.82D	6 588 962	4270.88D	
	1 306 004	4483.82D	6 758 566	3100.92D ▲	
	1 345 512	4825.98D ▲	6 866 389	4270.88D	
	1 351 716	4825.98D ▲	6 994 257	3100.88D	
	1 452 357	3004.88D1	691F 8575 BA	3004.92D1	
	1 472 378	3004.92D1	7 072 643	4158.80D	
	1 473 089	410016.98D ▲	7 215 818	6037.95D	
	1 473 090	410016.98D ▲	7S7G 6L721 AA	410016.98D ▲	
	1 497 689	3021.88D50	7S7G 6L721 AB	410016.98D ▲	
			800 572	3021.88D50	



Vergleichsliste
Cross References
Liste de Correspondances

Hersteller Manufacturer Constructeur	Hersteller-Nr. Manufacturer's Ref. Réf. Constructeurs	Wahler-Nr. Wahler-ref. Réf. Wahler	Hersteller Manufacturer Constructeur	Hersteller-Nr. Manufacturer's Ref. Réf. Constructeurs	Wahler-Nr. Wahler-ref. Réf. Wahler	
FORD	800 573	3021.88D50	GENERAL MOTORS	90 486 128	4180.82D	
	800 574	3021.88D50		90 501 081	4183.92D	
	81SF 8575 EA	3021.88D50		90 501 699	4183.82D	
	81SF 8575 FA	3021.88D50		90 502 201	4175.92D	
	84FF 8575 BA	4256.87D50		90 529 846	4188.92D	
	85HF 8575 AA	3021.88D50		90 537 605	411193.82D ▲	
	891F 8575 AA	3004.88D1		90 572 899	4198.92D	
	89BM 8575 AC	3004.92D1		90 573 326	4208.92D	
	89BM 8575 AD	3004.92D1		90 573 926	4201.92D	
	89FF 8575 AA	4270.88D		90 576 015	4192.92D	
	89FF 8575 AB	410131.88D ▲		91 159 950	3466.89D	
	89TM 8575 AA	4270.88D		92 063 300	4177.92D	
	91XM 8575 AA	3021.88D50		92 063 300	4194.92D ▲	
	928M 8575 AE	4270.88D		93 177 343	410588.88D ▲	
	948M 8575 AA	4270.88D		93 179 136	410049.88D ▲	
	95VW 8575 AB	4264.87D		93 275 736	410520.92D	
	95VW 8575 AC	4264.87D		94 372 762	3468.88D	
	95VW 8B607GA	6037.95D		94 468 578	3004.88	
	95WM 8575 AA	3100.88D		94 580 182	410183.88D ▲	
	96MM 8575 A1A	4457.82D		96 610 574	410183.88D ▲	
	96MM 8575 BD	4457.82D		97 087 130	3467.85D	
	96MM 8575 BE	4457.82D		97 094 283	3004.82	
	F42Z 8575 BA	4639.82D				
	KL01 15 171 A	4639.82D		HAKO	69015347	4264.87D
	XM34 8575 AA	4639.82D		HATZ	50503501.1144	4007.80D
	XM34 8575 AB	4639.82D		HOLDER	111 727	3000.83
	XS7Q 8575 AA	3497.88D			HD 035 A01	3000.83
YU3E 8575 BA	3100.92D ▲					
GENERAL MOTORS	02 898 688	3054.87D50	HONDA	19300-P08-0140	410224.78D ▲	
	08 966 483	4255.82D		19300-PA0-003	3119.82	
	12 992 692	4459.92D		19300-PB2-003	3119.82	
	21 018 811	411193.82D ▲		19300-PB2-004	3119.82	
	24 405 922	4431.105D ▲		19300-PB2-013	3119.82	
	24 420 652	4175.92D		19300-PB2-014	3119.82	
	24 420 728	4297.92D		19300-PB2-024	3119.82	
	24 435 781	4201.92D		19300-PB2-811	3119.82	
	24 447 862	4433.92D		19300-PB2-812	3119.82	
	55 182 499	410588.88D ▲		19300-PB2-815	3119.82	
	55 202 510	410049.88D ▲		19300-PB2-816	3119.82	
	55 577 072	4431.105D ▲		19300-PB2-817	3119.82	
	9 108 106	4151.76D		19300-PDA-E01	410224.78D ▲	
	9 110 719	3470.89D50		19300-PE0-013	4269.78	
	9 112 305	410517.89D ▲		19300-PE0-013	4269.78D ▲	
	9 128 786	4207.92D		19300-PE0-024	4269.78	
	9 129 907	4242.92D		19300-PE0-024	4269.78D ▲	
	9 161 123	4174.79D		19300-PJ7-003	410224.78D ▲	
	9 543 786	4193.92D		19300-PJ7-004	410224.78D ▲	
	90 156 558	4115.92D		19300-PLZ-004	4269.78	
	90 200 836	3017.92D2		19300-PLZ-004	4269.78D ▲	
	90 220 435	4164.92D		19300-PM3-003	410224.78D ▲	
	90 232 012	4144.92D		19300-PM3-004	410224.78D ▲	
	90 352 677	4168.92D		19300-PR3-003	410224.78D ▲	
	90 354 822	4164.92D		19300-PT0-003	410224.78D ▲	
	90 410 665	4144.82D		19300-PT0-004	410224.78D ▲	
	90 410 897	4175.92D		19301-P07-306	410224.82D ▲	
90 412 901	4178.92D	19301-P07-316	410224.82D ▲			
90 443 472	4164.92D	19301-P08-000	410224.78D ▲			
90 443 473	4144.82D					

Vergleichsliste
Cross References
Liste de Correspondances



Hersteller Manufacturer Constructeur	Hersteller-Nr. Manufacturer's Ref. Réf. Constructeurs	Wahler-Nr. Wahler-ref. Réf. Wahler	Hersteller Manufacturer Constructeur	Hersteller-Nr. Manufacturer's Ref. Réf. Constructeurs	Wahler-Nr. Wahler-ref. Réf. Wahler
HONDA	19301-P08-305	410224.78D ▲	IVECO	50 408 4365	3169.79D ▲
	19301-P08-306	410224.78D ▲		50 409 6443	4619.86
	19301-P08-315	410224.78D ▲		50 409 6443 Kit	410608.86D
	19301-P08-316	410224.78D ▲		50 411 0432	410069.82D ▲
	19301-P10-307	410224.78D ▲		6131 6592	4162.79D
	19301-P1K-307	410224.78D ▲		6131 8373	4162.79D
	19301-PAA-305	410224.78D ▲		809 6735	4174.79D
	19301-PAA-306	410224.78D ▲		882 9564	4565.80
	19301-PLC-305	410224.78D ▲		9842 0718	4163.79D
	19301-PLC-315	410224.78D ▲		9842 4854	4165.79
	19301-PNA-003	410225.78D ▲		9842 4854	4165.79D
	19301-PWA-305	410224.82D ▲		9843 2310	4166.79
	19301-PZA-305	410224.82D ▲		9843 2310	4166.79D
	19301-RAF-003	410226.78D ▲		9843 3497	4165.79
	19301-RAF-004	410226.78D ▲		9843 3497	4165.79D
HUERLIMANN	049.1751.0/191	3000.70	9846 7516	4166.79D	
	050 175.0	3000.70	9846 7517	4163.79D	
HYUNDAI	25500-22600	410351.88D ▲	9849 2868	4163.74D	
	25500-23001	410348.82D ▲	9849 2873	4163.74D	
	25511-29000	4446.83D	9943 1512	4619.86	
INNOCENTI	34 402 115	3004.82	JAGUAR	C28067	4006.82D
	6554040601	3044.80		C33012	4006.82D
INTER HARV.	3059 676 R 1	4017.82	JOHN DEERE	RE 33705	4006.82D
	3059 676 R 91	4017.82		AT 22961	3000.83
	3059 676 R 92	4017.82		AT 22963	3000.90
	3228 046 R 2	4017.82		RE 33705	3000.90
	3228 046 R1	4017.82		KIA	0K2A-15-171
ISUZU	8-94123-295-0	3468.88D	0K2C0-15-171A		410352.88D ▲
	8-94123-295-1	3468.88D	0K710-15-171		3498.88D
	8-94372-762-0	3468.88D	0K9FC-15-171		3498.88D
	8-97087-130-2	3467.85D	KE5D3-15-171		3498.88D
	94 207 217	3004.82	KHE41-15-171	410352.82D ▲	
	94 214 962	4022.82D	KOMATSU	287 257 8M	4530.80
IVECO	413 8769	3000.83		2871 591 M	4520.80D
	4253 4386	4565.80	LADA	21011-3060-10	3336.83
	468 4390	4008.79D		2108-01306-010	3333.87
	470 3088	4008.79D		2108-1306010	3333.87
	471 6264	4152.79D		2108-1306011	3333.87
	473 8169	4165.79		2121-13060-10	3338.80
	473 8169	4165.79D		21215-1306015	4446.83D
	474 9724	4105.75D		LANCIA	599 9818
	477 0246	4174.79D	758 1201		3109.82D
	480 4321	4166.79	758 1636		3109.82D
	480 4321	4166.79D	7910247116		4122.87D
	480 7492	4152.79D	8230 0146		3352.80
	482 3211	4174.79D	8230 0499		3352.80
	483 1783	4152.79D	8234 2688		3356.80D
	483 7166	4174.79D	9616090180	4446.83D	
	50 032 9622	4174.82D	LAND ROVER	GTS 303	4147.80D
	50 401 4236	4417.81D		RTC 6673	4158.80D
	50 401 7209	3171.82D ▲			
	50 403 1212	4417.81D			
	50 404 5799	3169.79D ▲			



Vergleichsliste
Cross References
Liste de Correspondances

Hersteller Manufacturer Constructeur	Hersteller-Nr. Manufacturer's Ref. Réf. Constructeurs	Wahler-Nr. Wahler-ref. Réf. Wahler	Hersteller Manufacturer Constructeur	Hersteller-Nr. Manufacturer's Ref. Réf. Constructeurs	Wahler-Nr. Wahler-ref. Réf. Wahler
LIEBHERR	738 0833	4083.79 •	MAZDA	8173-15-171	3499.88D
	7380513	4530.80		8173-99-152	3499.88D
LOMBARDINI	1000208309	4007.80D	8173-99-152 A	3119.88D3	
	104.9195.092	4008.79D	8173-99-152 A	3499.88D	
	9195 057	4007.80D	8173-99-152 B	3119.88D3	
	9195 1240	4007.80D	8173-99-152 B	3499.88D	
	ED0091951240S	4007.80D	8AB1-15-171	3498.88D	
MACK	657 GC 324 A-P80	411045.82D	8AB3 15 171	4006.82D	
			8AB5-15-171	3498.88D	
MAN	51.06401.0013	4375.80 •	8AB7-15-171	3499.82D	
	51.06402.0034	4150.79D50	8AB8-15-171	3498.88D	
	51.06402.0042	4150.71D50	8AB9-15-171	3499.82D	
	51.06402.0043	4150.79D50	8ABA-15-171	3499.88D	
	51.06402.0044	4150.79D50	8ABB-15-171	3499.88D	
	51.06402.0049	4150.79D50	8ABB-15-171A	3499.88D	
	51.06402.0050	4150.79D50	8ABC-15-171	3499.82D	
	51.06402.0051	4150.79D50	8ABD-15-171	3499.88D	
	51.06402.0052	4150.71D50	8ABE-15-171	3498.88D	
	51.06402.0053	4150.79D50	8AG1-15-171	3468.88D	
	51.06402.0056	4150.79D50	8AG1-15-171A	3468.88D	
	51.06402.0057	4150.71D50	8AG2-15-171	3468.88D	
	51.06402.0058	4150.83D50	8AG2-15-171A	3468.88D	
	51.06402.0060	4150.83D50	8AG3-15-171	3498.88D	
	51.06402.0061	4150.79D50	8AG4-15-171	3119.88D3	
	51.06402.0062	4150.71D50	8AG4-15-171	3499.88D	
	51.06402.0063	4150.83D50	8AG5-15-171	3498.88D	
	51.06402.0064	4150.79D50	8AG6-15-171	3468.88D	
	51.06402.0065	4150.71D50	8AG7-15-171	3468.88D	
	51.06402.0066	4150.83D50	8AG8-15-171	3468.88D	
	51.06402.0067	4150.79D50	8AGX-15-171	4639.82D	
	51.06402.0068	4150.71D50	8AK1-15-171	3498.88D	
	51.06402.0069	4150.79D50	8AN1-15-171	3498.88D	
	81.06401.0018	4665.80/1	8AU-15-171	3498.88D	
	81.06401.0019	410864.71D0	8AU1-15-171	3498.88D	
	81.06401.0019	4684.70/1	8AX1-15-171	3119.88D3	
	81.06401.0031	4671.80/1	8AX1-15-171	3499.88D	
	81.06401.0037	4684.80/1	8AZ1-15-171	3468.88D	
	81.06401.0038	410864.83D0	AB6-15-171	3498.88D	
	81.06401.0038	4684.83/1	B366-15-171	3499.82D	
	81.06401.0039	4685.83/1	B3H3-15-171	3499.82D	
	81.06401.0042	410864.71D0	B3H8-15-171A	3499.82D	
81.06401.0042	4684.70/1	B541-15-171	3119.88D3		
81.06401.0045	410864.83D0	B541-15-171	3499.88D		
81.06401.0045	4684.83/1	B6H-15-171	3498.88D		
81.06401.0046	4684.80/1	B6H-15-171 A	3498.88D		
81.06401.6002	4373.70 •	BP6F-15-171	3498.88D		
81.06401.6009	4371.80	BPD3-15-171	3498.88D		
MAZDA	0223-15-171	3499.82D	E5D3-15-171	3498.88D	
	0419-15-171	3499.82D	F201-15-171	3498.88D	
	0419-99-152	3499.82D	FS05-15-171	4639.82D	
	1A51-15-171	4639.82D	HE 41-99-152 A	3119.88D3	
	1E03-15-171	3004.92D1	HE 41-99-152 C	3119.82D3	
	1E05-15-171 A	4457.82D	HE41-99-152C	3499.82D	
	1E07-15-171	410131.88D ▲	HE41-99-152D	3499.82D	
	8124-99-152	3119.82	KL01-15-171	4639.82D	
	8173-15-152 C	3499.88D	KL01-15-171 A	4639.82D	
			RF 01-99-152	3004.88	
			RF03-15-171A	3468.88D	
			ZZ40-15-171	3498.88D	

Vergleichsliste
Cross References
Liste de Correspondances



Hersteller Manufacturer Constructeur	Hersteller-Nr. Manufacturer's Ref. Réf. Constructeurs	Wahler-Nr. Wahler-ref. Réf. Wahler	Hersteller Manufacturer Constructeur	Hersteller-Nr. Manufacturer's Ref. Réf. Constructeurs	Wahler-Nr. Wahler-ref. Réf. Wahler
MERCEDES-BENZ	000 203 54 75	4371.80	MERCEDES-BENZ	005 203 28 75	4105.71D
	000 203 64 75	3000.80		005 203 29 75	4123.80D
	001 203 14 75	4547.80		100 200 05 15	4078.87D
	001 203 58 75	3000.80		100 200 07 15	4078.79D
	001 203 66 75	4546.80		102 200 08 15	4078.87D
	001 203 69 75	4083.83D50		102 200 14 15	4078.87D
	001 203 90 75	4078.79D		102 200 15 15	4078.87D
	001 203 91 75	4078.87D		110 200 01 11	4078.87D
	002 203 01 75	4547.80		110 200 05 15	4078.87D
	002 203 04 75	4083.83D50		110 200 09 15	4078.71D
	002 203 16 75	4078.71D		110 200 19 15	4078.92D
	002 203 31 75	4078.71D		111 200 03 15	4276.87D
	002 203 32 75	4105.83D		111 200 08 15	4279.87D
	002 203 35 75	4078.79D		111 200 09 15	4275.87D
	002 203 37 75	4078.79D		111 200 15 15	4286.87D
	002 203 38 75	4078.79D		111 200 17 15	4414.87D ▲
	002 203 39 75	4105.71D		111 203 02 75	4275.87D
	002 203 45 75	4105.83D		111 203 03 75	4276.87D
	002 203 46 75	4078.79D		111 203 05 75	4279.87D
	002 203 47 75	4105.83D		111 203 06 75	4275.87D
	002 203 49 75	4105.83D		111 203 08 75	4275.87D
	002 203 53 75	4083.83D50		111 203 09 75	4286.87D
	002 203 56 75	4105.83D		111 203 10 75	4414.87D ▲
	002 203 59 75	4105.83D		112 200 00 15	4281.87D
	002 203 72 75	4078.79D		112 200 01 15	4298.87D
	002 203 75 75	4117.80D		112 203 02 75	4281.87D
	002 203 76 75	4078.87D		112 203 03 75	4298.87D
	002 203 78 75	4078.79D		116 200 00 15	4064.75D
	002 203 79 75	4105.83D		116 200 02 15	4233.84D
	002 203 80 75	4117.80D		116 200 03 15	4137.80D
	002 203 81 75	4078.87D		119 200 00 15	4278.80D
	002 203 82 75	4064.75D		119 203 01 75	4278.80D
	002 203 90 75	4105.83D		120 200 00 15	4517.87D
	003 203 14 75	4105.83D		120 203 02 75	4517.87D
	003 203 22 75	3000.80		160 200 03 15	3142.90D
	003 203 28 75	4105.83D		189 203 00 75	4378.80
	003 203 29 75	4105.71D		271 200 00 15	3457.90D
	003 203 31 75	4105.83D		271 203 03 75	3457.90D
	003 203 32 75	4105.71D		272 200 00 15	4834.100D ▲
	003 203 73 75	4105.83D		272 200 01 15	4834.100D ▲
	003 203 74 75	4105.71D		273 200 02 15	4833.100D ▲
	003 203 78 75	4105.83D		373 203 70 75	4105.83D
	003 203 79 75	4105.71D		601 200 00 15	4176.85D
	003 203 82 75	4233.84D		601 200 01 15	4176.80D
	003 203 91 75	4105.79D		602 200 00 15	4176.80D
	003 203 92 75	4105.79D		603 200 00 15	4176.80D
	003 203 98 75	4176.80D		603 203 04 74	4280.80D
	004 203 39 75	4137.80D		603 203 04 74	4280.85D
	004 203 40 75	4137.80D		604 203 00 75	4280.85D
	004 203 65 75	4078.65D		605 203 00 75	4280.80D
	004 203 83 75	4105.83D		606 203 01 75	4176.80D
	004 203 84 75	4105.71D		606 203 02 75	4176.85D
	004 203 85 75	4105.79D		606 203 05 75	4176.85D
	004 203 86 75	4078.92D		607 200 00 15	3004.82
	005 203 17 75	4619.75		611 200 02 15	4453.87D
	005 203 18 75	4619.80		611 200 03 15	4287.92D ▲
005 203 19 75	4619.86	611 200 05 15	4287.92D ▲		
005 203 26 75	4105.83D	611 200 07 15	410171.87D ▲		
005 203 27 75	4105.79D	611 200 07 15	4453.87D		



Vergleichsliste
Cross References
Liste de Correspondances

Hersteller Manufacturer Constructeur	Hersteller-Nr. Manufacturer's Ref. Réf. Constructeurs	Wahler-Nr. Wahler-ref. Réf. Wahler	Hersteller Manufacturer Constructeur	Hersteller-Nr. Manufacturer's Ref. Réf. Constructeurs	Wahler-Nr. Wahler-ref. Réf. Wahler	
MERCEDES-BENZ	611 203 04 75	4453.87D	MITSUBISHI	MD 997224	4638.82D	
	611 203 05 75	4453.87D		MD 997602	3119.82D4	
	611 203 06 75	4287.92D ▲		MD 997603	3119.82D4	
	611 203 08 75	4287.92D ▲		MD 997605	4638.76D	
	611 203 11 75	4287.92D ▲		MD 997606	4638.82D	
	611 203 13 75	4287.92D ▲		MD 997607	3119.82D4	
	611 203 15 75	4453.87D		MD 997644	410180.82D ▲	
	611 203 19 75	4453.87D		ME 190303	4637.76D ▲	
	615 200 13 15	4117.80D		ME 191593	4637.76D ▲	
	616 200 04 15	4117.80D		ME 200262	4637.76D ▲	
	617 200 03 15	4049.80D		ME 220538	410180.82D ▲	
	617 200 11 15	4049.80D		ME 241816	410180.82D ▲	
	617 200 18 15	4049.80D1		ME 999295	4638.82D	
	628 203 01 75	4309.92D ▲		MOTORCRAFT	ERT 103	3021.92D50
	642 200 02 15	4490.87D ▲			ERT 122	3021.88D50
	642 200 04 15	4835.87D ▲			ERT 152	4270.88D
	646 200 00 15	410174.92D ▲			ERT 18	3004.92D1
	646 200 11 15	410174.92D ▲			ERT 190	3004.92D1
	646 200 12 15	410171.87D ▲			ERT 193	3021.88D50
	646 203 02 75	410174.92D ▲			ERT 9	3004.88D1
660 200 03 15	3146.90D	MULTICAR	0820117806	4176.85D		
MITSUBISHI	M-474877		3470.89D50	4008540	4264.87D	
	M-863985	3470.89D50	MWM	1215 2752	2391.75	
	MD 001370	3119.82D4		1215 2766	2391.75	
	MD 005131	3119.88D4		6.0525.01.0.0050	4520.75	
	MD 005371	3119.82D4		6.0525.01.1.0011	2391.75	
	MD 008086	3119.82D4		6.0525.01.1.0024	2393.75	
	MD 015299	4638.82D		6.0525.01.1.0042	2391.75	
	MD 075460	3119.82D4		6.0525.1.0041	2393.75	
	MD 094120	4638.82D		9 225 0 757 014 6	4351.79	
	MD 117759	3119.82D4		9 229 8 757 004 6	4588.75/1	
	MD 126168	3119.82D4		NEOPLAN	0303.191.04	4520.80D
	MD 158570	4637.82D			NISSAN	11060-AW300
	MD 164541	4637.76D ▲	11060-BN700	411043.89D ▲		
	MD 165630	4637.82D	11061-00Q0D	411039.83D ▲		
	MD 170031	4637.76D ▲	11061-00Q0E	411043.89D ▲		
	MD 174233	410180.82D ▲	11061-00QAB	410517.83D ▲		
	MD 175746	4637.82D	11061-00QAD	410517.89D ▲		
	MD 194988	410180.82D ▲	11061-00QAE	3166.89D		
	MD 310106	4637.82D	11061-00QAG	411043.89D ▲		
	MD 315301	4637.82D	11061-00QAL	411043.89D ▲		
	MD 317015	4637.76D ▲	11061-00QAM	411039.83D ▲		
	MD 335170	4637.82D	21200-01B00	3044.90D1		
	MD 337408	4637.82D	21200-0C810	4635.76		
	MD 338234	4637.82D	21200-0C811	4635.76		
	MD 345617	4637.76D ▲	21200-2H600	3118.82D1		
	MD 346527	4637.88D ▲	21200-2H605	3118.88D1		
MD 346547	4637.88D ▲	21200-40F00	4635.76			
MD 348937	410180.82D ▲	21200-41B00	3118.82D1			
MD 351495	410180.82D ▲	21200-47R00	4635.76			
MD 360320	4637.82D	21200-4M500	3478.82D			
MD 972905	3119.82D4	21200-50K00	4635.76			
MD 972908	3119.82D4	21200-53J00	4635.76			
MD 997-461	4038.81D	21200-53J10	4635.76			
MD 997217	3119.82D4					
MD 997219	3119.82D4					
MD 997220	3119.82D4					
MD 997221	3119.88					

Vergleichsliste
Cross References
Liste de Correspondances



Hersteller Manufacturer Constructeur	Hersteller-Nr. Manufacturer's Ref. Réf. Constructeurs	Wahler-Nr. Wahler-ref. Réf. Wahler	Hersteller Manufacturer Constructeur	Hersteller-Nr. Manufacturer's Ref. Réf. Constructeurs	Wahler-Nr. Wahler-ref. Réf. Wahler
NISSAN	21200-57J00	410176.82D0 ▲	OPEL	13 38 050	4164.92D
	21200-57J05	410176.88D0 ▲		13 38 052	3017.92D2
	21200-57J15	410176.82D0 ▲		13 38 054	4144.92D
	21200-6F900	4821.89D		13 38 055	3004.88
	21200-6F901	4821.89D		13 38 056	3468.88D
	21200-77A00	4634.76		13 38 057	4164.92D
	21200-77A05	3478.82D		13 38 059	4144.82D
	21200-77A60	4634.76		13 38 060	4168.92D
	21200-77A61	4634.76		13 38 062	4144.82D
	21200-77A63	4634.76		13 38 063	4164.92D
	21200-77A65	3478.82D		13 38 067	4175.92D
	21200-77A66	3478.82D		13 38 068	4177.92D
	21200-78515	3118.88D1		13 38 069	4180.82D
	21200-85G00	3118.82D1		13 38 073	4178.92D
	21200-85G05	3118.88D1		13 38 075	3467.85D
	21200-85G06	3118.88D1		13 38 076	4237.80D
	21200-86J00	3478.82D		13 38 077	3004.82
	21200-86J01	3478.82D		13 38 079	4183.92D
	21200-90J00	3478.82D		13 38 080	4183.82D
	21200-90J10	3478.82D		13 38 084	4175.92D
	21200-93J00	4635.76		13 38 087	4188.92D
	21200-93J10	4635.76		13 38 096	4459.92D
	21200-99B03	3118.82D1		13 38 097	4201.92D
	21200-9F600	3478.82D		13 38 100	4198.92D
	21200-BX000	410488.88D ▲		13 38 154	410049.88D ▲
	21200-ED00A	411241.82D ▲		13 38 178	4431.105D ▲
	21200-G3100	3000.83		13 38 275	410049.88D ▲
	21200-P7500	3118.88D1		13 38 331	4208.92D
	21200-P7901	3118.82D1		13 38 427	411193.82D ▲
	21200-P7905	3118.88D1		13 38 466	4158.80D
	21200-P7906	3118.88D1		13 38 478	4177.92D
	21200-P7990	3118.82D1		13 38 478	4194.92D ▲
	21200-P7991	3118.88D1		13 41 002	6010.95D
	21200-V0100	3118.82D1		13 41 011	6031.100D
21200-V0105	3118.88D1	13 41 017	6031.105D		
21200-V0200	3118.82D1	13 41 028	6031.88D		
21200-V0201	3118.82D1	1338 015 old number	3017.92D50		
21200-V0205	3118.88D1	1338 039	410049.88D ▲		
21200-V0206	3118.88D1	1338 092	4192.92D		
OPEL	1 338 017	4433.92D	44 00 106	4151.76D	
	13 38 002	4207.92D	44 02 719	3470.89D50	
	13 38 003	4242.92D	44 04 305	410517.89D ▲	
	13 38 007	411193.82D ▲	44 08 334	3466.89D	
	13 38 008	411193.82D ▲	45 00 823	4174.79D	
	13 38 009	4201.92D	48 11 586	4189.87D	
	13 38 015	4297.92D	63 38 004	4428.92D	
	13 38 016	3054.92D50	63 38 018	4431.105D ▲	
	13 38 018	3054.87D50	63 38 022	410588.88D ▲	
	13 38 024	4255.82D	63 38 028	4459.92D	
	13 38 030	3004.82	63 38 039	410048.88D ▲	
	13 38 033	4255.87D	63 38 050	4357.92D ▲	
	13 38 034	411193.82D ▲	9 318 4200	410048.88D ▲	
	13 38 035	3004.88	PEGASO	222730	4619.75
	13 38 038	4255.92D		770275	4078.75D
	13 38 041	3054.87D50		770662	4619.75
	13 38 042	3021.88D50	PERKINS	7483490	3000.75
	13 38 046	4115.92D		PF 52.842	3000.80
	13 38 049	4144.92D			



Vergleichsliste
Cross References
Liste de Correspondances

Hersteller Manufacturer Constructeur	Hersteller-Nr. Manufacturer's Ref. Réf. Constructeurs	Wahler-Nr. Wahler-ref. Réf. Wahler	Hersteller Manufacturer Constructeur	Hersteller-Nr. Manufacturer's Ref. Réf. Constructeurs	Wahler-Nr. Wahler-ref. Réf. Wahler
PERKINS	PF 52.845	3000.70	PORSCHE	944.606.481.00	6010.92D
PEUGEOT	1264 50	6031.88D		955 106 113 00	4455.80D
	1264-32	6031.92D		996.106.013.54	4249.83D
	1264-33	6035.92		996.106.013.55	4249.83D
	1264-33	6035.92D		996.106.013.56	4249.83D
	1264-50	6031.92D		996.106.013.57	4249.83D
	1336 Q1	3463.89D		996.106.121.53	4249.83D
	1337 11	3053.78		996.106.125.52	4249.83D
	1337 13	3053.78	RENAULT	00 24 774 033	4529.70
	1337 26	3053.75		50 00 684 865	410828.82D0
	1337 27	3136.88D50		50 00 684 865 Kit	410828.82D
	1337 30	3136.82D50		50 00 691 267	410828.86D0
	1337 34	4122.87D		50 00 691 267 Kit	410828.86D
	1337 40	3053.72		50 00 694 785	4529.83D0
	1337 47	3061.82		50 00 816 924	4151.76D
	1337 48	3159.82D		50 10 284 184	411045.82D
	1337 49	3061.88		50 10 295 225	4596.83
	1337 59	3053.78		50 10 295 225	4596.83D
	1337 64	4147.80D		50 10 295 225 2x Kit	410758.83D
	1337 65	3033.84		50 10 447 161	4619.86
	1337 65	3033.84D		50 10 553 100	4619.86
	1337 66	3053.78		50.01855.520	4619.82
	1337 68	4147.80D		60 01 543 366	3466.89D
	1338 13	4447.85D		60 05 004 616	2393.75
	1338 19	4447.80D		60 050 000 04	2391.75
	1338 20	4147.80D		60 050 046 16	2391.75
	1338 25	4147.80D		74 31 397 947	4272.90D
	1338 37	3136.82D50		74 36 842 409	4272.90D
	1338 83	3136.82D50		74 39 180 811	4272.90D
	1338 90	4174.82D		77 00 024 756	2389.75/1
	1338 A0	3483.89D		77 00 024 756	2391.75
	1338 C8	4821.89D		77 00 109 641	410530.89D ▲
	1338 F5	3497.88D		77 00 110 716	3166.89D
	79 10 011 873	3053.75		77 00 112 491	410518.89D ▲
	79 10 246 113	4122.87D		77 00 260 959	4449.84D
	79 10 247 116	4122.87D		77 00 575 874	3029.83
	91 500 72 380	3061.82		77 00 619 931	3029.86
	91 500 724 80	3061.88		77 00 657 955	4122.87D
	96 057 087 80	3136.88D50		77 00 665 226	4147.80D
	96 057 136 80	3136.88D50		77 00 697 157	4147.80D
	96 090 230 80	4147.80D		77 00 703 136	4122.87D
	96 108 092 80	4450.89D		77 00 710 657	4122.87D
	96 108 093 80	4450.89D		77 00 722 762	3029.86
	96 160 902 80	4450.83D		77 00 723 945	3470.89D50
	96 196 379 80	3136.88D50		77 00 727 190	3029.89
	96 272 785 80	4447.80D		77 00 730 540	3029.89
	96 272 814 80	4447.85D		77 00 742 617	3469.91D
	96 300 66 780	3463.89D		77 00 851 485	3187.73
	96 300 666 80	3483.89D		77 00 858 087	4147.80D
	96 472 659 80	410705.89D ▲		77 00 858 802	3469.91D
	96 485 426 80	410184.89D ▲		77 00 862 200	4147.80D
				77 00 866 896	3470.89D50
PORSCHE	928.106.129.06	4161.83		77 00 868 274	4446.83D
	928.106.129.16	4161.83		77 00 868 980	3174.89D
	928.106.129.17	4161.83		77 00 872 314	3470.89D50
	944.106.019.00	4256.83D60		77 00 872 554	3466.89D
	944.106.129.05	4256.80D60		77 00 872 635	3466.89D
	944.106.129.05	4256.83D60		77 01 026 647	4008.79D

Vergleichsliste
Cross References
Liste de Correspondances



Hersteller Manufacturer Constructeur	Hersteller-Nr. Manufacturer's Ref. Réf. Constructeurs	Wahler-Nr. Wahler-ref. Réf. Wahler	Hersteller Manufacturer Constructeur	Hersteller-Nr. Manufacturer's Ref. Réf. Constructeurs	Wahler-Nr. Wahler-ref. Réf. Wahler	
RENAULT	77 01 035 736	3116.82D	SAAB	90 537 811	411193.82D ▲	
	77 01 038 494	4446.83D		91 66 687	4154.88D	
	77 01 039 156	3116.82D		91 94 101	4154.88D	
	77 01 042 512	4174.79D		91 94 242	4154.88D	
	77 01 348 068	3029.89		93 20 284	4022.92D	
	77 01 348 139	3053.85		93 37 551	4022.82D	
	77 01 348 372	3136.82D50		95 26 518	6010.95D	
	77 01 348 373	3470.89D50		SAURER	154.0943.426	4530.80
	77 01 348 374	3029.86			461.0943	4030.70
	77 01 348 376	3029.83		SCANIA	1 347 594	4224.80D
	77 01 349 173	4122.87D			1 358 995	4223.83D
	77 01 349 415	4122.87D			1 395 856	4520.75
	77 01 474 248	410518.89D ▲			1 404 924	4223.83D
	77 01 474 249	410530.89D ▲			1 404 925	4224.80D
	77 010 68 770	411241.82D ▲			1 423 450	4223.83D
	82 00 039 885	411043.89D ▲	1 423 451		411004.80D	
	82 00 074 346	410517.89D ▲	1 431 979		4223.75D	
	82 00 074 349	410517.83D ▲	1 458 198		4224.75D	
	82 00 112 054	410538.89D ▲	1 745 449		4224.80D	
	82 00 171 021	411043.89D ▲	1 799 757		411004.80D	
	82 00 244 023	411039.83D ▲	1 800 909		411004.80D	
	82 00 244 402	411043.89D ▲	1 849 060		411004.80D	
	82 00 267 349	411042.89D ▲	238 156		3096.75	
	82 00 374 994	411043.89D ▲	283 281		4520.80D	
	82 00 400 553	411040.83D ▲	283 281-4		4520.80D	
	82 00 400 554	411039.83D ▲	525 076		3096.75	
	82 00 558 751	411040.83D ▲	550 275	4520.80D		
	82 00 558 758	411039.83D ▲	SEAT	0004218650	3345.79	
82 00 558 766	411042.89D ▲	CA 032.221.01		3000.83		
82 00 558 783	411043.89D ▲	EA03222101		3023.87D		
82 00 772 985	3466.89D	SE 021 952 600 A		6020.92D		
		SE020032221A		3361.87D		
ROVER	GTS 106	3004.88	SE021032221B	4256.87D50		
	GTS 1106	3004.88	SKODA	113 095 090	6010.92D	
	GTS 181	4089.92		113 095 091	3032.80	
	GTS 193	4089.87		1130950	3032.80	
	GTS 282	3000.83		114 095 090	3032.88	
	GTS 287	4158.80D		115 095 070	6010.88D	
	GTS 298	3000.90		441.0.4433.018.6	6017.95D	
	GTS299	4821.89D		SMART	0003179V009	3142.90D
	PEL 10009 EVA	4158.80D			0003179V010	3142.90D
	PEL10019EVA	4821.89D			0004698V002	3146.90D
		0004698V003			3146.90D	
SAAB	12 615 097	411193.82D ▲	STEYR		1.409.06.0002	4378.80
	12 622 410	411193.82D ▲			192.53.0005	4379.87 •
	30 577 561	4154.88D			192.53.0034	4379.87 •
	45 03 017	4175.92D			311.00.06.0065	4368.87
	46 23 815	4175.92D			409.03.02	4378.80
	47 72 190	4193.92D			609E060013	4520.80D
	75 02 297	4022.82D		610.00.06.0025	4547.80	
	75 17 345	4154.82D	815.00.06.0007	4663.80/1		
	83 58 061	3004.88	SUBARU	21200-AA071	410230.78D ▲	
	83 89 512	4022.88D				
	85 47 572	6010.88D				
	85 69 23	6010.92D				
	88 17 298	4154.88D				
	88 17 538	4154.82D				
	88 22 025	4154.88D				
	90 537 453	411193.82D ▲				



Vergleichsliste
Cross References
Liste de Correspondances

Hersteller Manufacturer Constructeur	Hersteller-Nr. Manufacturer's Ref. Réf. Constructeurs	Wahler-Nr. Wahler-ref. Réf. Wahler	Hersteller Manufacturer Constructeur	Hersteller-Nr. Manufacturer's Ref. Réf. Constructeurs	Wahler-Nr. Wahler-ref. Réf. Wahler	
SUBARU	21200-AA072	410230.78D ▲	TOYOTA	90916-03055	3119.82D5	
	21200-AA170	410230.78D ▲		90916-03060	3478.82D	
	21210AA030	410230.78D ▲		90916-03062	3477.88D	
	21210AA080	410230.78D ▲		90916-03062	4126.88	
	317 530 100	3000.83		90916-03065	4103.82	
SUZUKI	17570-74000	410228.82D ▲	90916-03065	4103.82D ▲		
	17570-86CA0	4446.83D	90916-03069	4103.82		
	17570740001	410228.82D ▲	90916-03069	4103.82D ▲		
	17600-77820	410183.88D ▲	90916-03072	3477.88D		
	17600-83810	410228.82D ▲	90916-03075	4480.82D		
	17600-83811	410228.82D ▲	90916-03084	4480.82D		
	17600-83820	410228.82D ▲	90916-03088	410178.82D ▲		
	17600-83821	410228.82D ▲	90916-03090	3478.82D		
	17600-83821-000	3119.82	90916-03092	410044.82D		
	17600-83822	410228.82D ▲	90916-03093	410044.82D		
	17600-83823	410228.82D ▲	90916-03095	3478.82D		
	17600-85811	410183.82D ▲	90916-03096	3478.82D		
	17600-85821	410183.88D ▲	90916-03097	410181.82D ▲		
	17600-85830	410228.82D ▲	90916-03099	3477.88D		
	17600-85831	410228.82D ▲	90916-03101	410178.82D ▲		
	17670-50G00	410183.82D ▲	90916-03106	3477.88D		
	17670-50G10	410183.88D ▲	90916-03109	3478.82D		
	17670-50G20	410183.88D ▲	90916-03115	3478.82D		
	17670-65D00	410229.82D ▲	90916-03118	410181.82D ▲		
	17670-66G00	4446.83D	90916-03120	410178.82D ▲		
	17670-67H00	410183.88D ▲	90916-03122	410201.80D ▲		
	17670-73000	410228.82D ▲	90916-03123	410231.82D ▲		
	17670-73020	410228.82D ▲	90916-03125	4480.82D		
	17670-73021	410228.82D ▲	90916-03126	3477.88D		
	17670-76A00	410183.82D ▲	90916-03129	4480.82D		
	17670-76A01	410183.82D ▲	90916-54010	3477.88D		
	17670-76G00	410183.82D ▲	SU001-0223	4446.83D		
	17670-76G10	410183.88D ▲	VALTRA	114 470	4351.79	
	17670-77E00	410229.82D ▲		149 620	4588.75/1	
	17670-77E10	4639.82D	VAUXHALL	02 898 440	3054.92D50	
	17670-77E11	4639.82D		08 966 485	4255.87D	
	17670-77G00	410183.82D ▲		4019-11858	3021.88	
	17670-77G10	410183.88D ▲		90 009 956	4115.92D	
	17670-78E00	3468.88D		90 067 918	4255.92D	
	17670-82810-000	3044.80		90 108 636	6010.95D	
17670-83000	410228.82D ▲	90 242 277		6031.100D		
17670-83001	410228.82D ▲	90 264 080		4144.92D		
17670-83010	410228.82D ▲	90 277 288		6031.105D		
17670-83011	410228.82D ▲	90 357 303		6031.88D		
17670-85020	410183.88D ▲	90 411 948		4177.92D		
17670-85C00	410229.82D ▲	90 509 110		4237.80D		
17690-84A50-000	411039.83D ▲	90 570 620		4459.92D		
17690-84E50-000	410588.88D ▲	91 153 670		4158.80D		
TALBOT	131 666.00	4026.89 •		VM	3 901 2004 F	4158.80D
TOYOTA	16340-54010	3477.88D	4 901 2012 F		4030.70	
	90080-23002	3478.82D	VOITH	90.9764.10	4663.80/1	
	90916-03040	3119.88		VOLKSWAGEN	00A 121 113	4275.87D
	90916-03043	3477.88D			022 121 113	4455.80D
	90916-03043	4126.88			030 121 113	4264.84D
	90916-03046	4103.82				
	90916-03046	4103.82D ▲				

Vergleichsliste
Cross References
Liste de Correspondances



Hersteller Manufacturer Constructeur	Hersteller-Nr. Manufacturer's Ref. Réf. Constructeurs	Wahler-Nr. Wahler-ref. Réf. Wahler	Hersteller Manufacturer Constructeur	Hersteller-Nr. Manufacturer's Ref. Réf. Constructeurs	Wahler-Nr. Wahler-ref. Réf. Wahler
VOLKSWAGEN	032 121 110 F	3167.83D ▲	VOLVO	1 665 694	4619.86
	032 121 110 L	410475.87D ▲		267 235	3029.89
	032 121 113	4253.87D		271 417	4272.90D
	032 121 121 G	410475.87D ▲		271 664	4272.90D
	032 121 121 K	410475.87D ▲		272 246	4116.87D1
	037 121 113	4256.83D60		272 335	4206.90D
	03G 121 111 A	4820.87D		273 307	4089.92D
	03G 121 113	3472.87D		273 458	4022.88D
	03G 121 113 A	4820.87D		273 459	4089.87D
	03L 121 111 AE	410845.87D ▲		273 480	4122.87D
	03L 121 111 R	410845.92D ▲		273 728	4088.87D
	03L 121 111 S	410845.92D ▲		273 950	4038.65D
	03L 121 113 A	410396.82D ▲		273 951	4038.76D
	03L 121 113 B	410537.92D ▲		273 952	4038.81D
	03L 121 114 B	410536.92D ▲		273 953	4038.76D
	056 121 113	4253.87D		3 273 728	4116.87D1
	062 121 111 A	3145.79D		3 344 616	3470.89D50
	062 121 111 B	3145.79D		3 345 628	3470.89D50
	069 121 113 A	4116.87D1		3 831 426	4038.65D
	06B 121 113 A	3141.87D		30 711 624	4483.82D
	06C 121 111 C	4814.92D		3063 7216	4817.90D
	06C 121 111 D	4814.92D		3063 7217	4816.90D
	06C 121 111 E	4814.92D		3065 0022	4816.90D
	06D 121 111 G	411186.87D ▲		3065 0023	4817.90D
	070 121 114	4430.87D ▲		3065 0469	4818.90D ▲
	076 121 113 A	4123.70		3071 3572	4489.90D ▲
	077 121 113 B	4274.87D		3077 7475	4816.90D
	078 121 113	4274.87D		3077 7476	4818.90D ▲
	07K 121 113 B	4488.80D0 ▲		3121 9205	4817.90D
	07Z 121 111	4572.105D ▲		3129 3698	4818.90D ▲
	191 959 481 A	6017.95D		424 370	4038.65D
	191 959 481 C	6017.95D		463 433	4089.82D
	251 959 481 G	6087.87D		463 750	4089.92
	251 959 481 H	6087.87D		466 017	4029.91 •
	251 959 481 K	6087.87D		466 127	4038.65D
	321 959 481 B	6020.95D		8 149 182	4619.82
	321 959 481 G	6020.95D		8 149 186	4619.86
	372 959 481 I	6039.95D		875 787	4038.76D
	6U0 959 481 A	6017.95D		875 788	4038.71D
	701 959 481	6037.87D		9 125 406	4206.90D
	701 959 481 C	6037.81D		9 180 811	4272.90D
	701 959 481 J	6037.87D			
	823 959 481 H	6010.95D	ZF Parts	0501313877	4663.80/1
	823 959 481 K	6010.95D			
	823 959 481 L	6010.92D			
	9.407.0.757.002.4	3145.79D			
	J 90 916 030 46	4103.82			
	J 90 916 030 46	4103.82D ▲			
	J16340-54010	410201.80D ▲			
	J90 916 030 99	3477.88D			
	J90 916 540 10	3477.88D			
VOLVO	1 219 150	4089.82D			
	1 219 675	4089.87			
	1 544 097	4038.76D			
	1 544 098	4038.81D			
	1 544 389	4038.65D			
	1 544 683	4619.82			
	1 661 993	4619.75			



Vergleichsliste
Cross References
Liste de Correspondances

Wahler-Nr. Wahler-ref. Réf. Wahler	Hersteller-Nr. Manufacturer's Ref. Réf. Constructeurs	Hersteller Manufacturer Constructeur	Wahler-Nr. Wahler-ref. Réf. Wahler	Hersteller-Nr. Manufacturer's Ref. Réf. Constructeurs	Hersteller Manufacturer Constructeur	
2389.75/1	77 00 024 756	RENAULT	3004.74	1 607 993	FORD	
	F 281 200 050 20	FENDT		3004.82	13 38 030	OPEL
	F 281.200.050.020	DODGE			13 38 077	OPEL
	X815.090.003.000	FENDT			34 402 115	INNOCENTI
2391.75	1215 2752	MWM	3004.88		52 06 139	ASTON MARTIN
	1215 2766	MWM		607 200 00 15	MERCEDES-BENZ	
	1227 0074	DEUTZ-FAHR		94 207 217	ISUZU	
	6.0525.01.1.0011	MWM		97 094 283	GENERAL MOTORS	
	6.0525.01.1.0042	MWM		13 38 035	OPEL	
	60 050 000 04	RENAULT		13 38 055	OPEL	
	60 050 046 16	RENAULT		4131 240	CHRYSLER	
	77 00 024 756	RENAULT		6 173 232	FORD	
	F 150 204 050 10	FENDT		83 58 061	SAAB	
	F 150 204 050 11	FENDT		94 468 578	GENERAL MOTORS	
	F 150.204.050.011	DODGE		GTS 106	ROVER	
	X815.090.002.000	FENDT		GTS 1106	ROVER	
	2393.75	1227 0073		DEUTZ-FAHR	3004.88D1	RF 01-99-152
6.0525.01.1.0024		MWM	1 452 357	FORD		
6.0525.1.0041		MWM	891F 8575 AA	FORD		
60 05 004 616		RENAULT	ERT 9	MOTORCRAFT		
3000.70	049.1751.0/191	HUERLIMANN	3004.92D1	1 472 378	FORD	
	050 175.0	HUERLIMANN		1E03-15-171	MAZDA	
	PF 52.845	PERKINS		5 004 890	FORD	
3000.75	7483490	PERKINS	5 004 891	FORD		
3000.80	000 203 64 75	MERCEDES-BENZ	6 526 879	FORD		
	001 203 58 75	MERCEDES-BENZ	691F 8575 BA	FORD		
	003 203 22 75	MERCEDES-BENZ	89BM 8575 AC	FORD		
	PF 52.842	PERKINS	89BM 8575 AD	FORD		
			ERT 18	MOTORCRAFT		
3000.83	105.00.01.064.00	ALFA ROMEO	3017.87D2	ERT 190	MOTORCRAFT	
	105.00.01.064.01	ALFA ROMEO		96 143 939	CHEVROLET	
	111 727	HOLDER		13 38 052	OPEL	
	21200-G3100	NISSAN		90 200 836	GENERAL MOTORS	
	3156283	CHRYSLER		1338 015 old number	OPEL	
	317 530 100	SUBARU		3021.88	1 649 194	FORD
	406 2141	FIAT		4019-11858	VAUXHALL	
	406 2172	FIAT		3021.88D50	1 497 689	FORD
	406 5540	FIAT		1 509 953	FORD	
	408 6415	FIAT		1 517 858	FORD	
	413 8169	FIAT		1 520 969	FORD	
	413 8769	IVECO		1 635 905	FORD	
	AT 22961	JOHN DEERE		13 38 042	OPEL	
	CA 032.221.01	SEAT		5 004 887	FORD	
	GTS 282	ROVER		6 085 917	FORD	
	HD 035 A01	HOLDER		6 085 918	FORD	
3000.90	04494469	CHRYSLER	6 100 630	FORD		
	52028185	CHRYSLER	6 201 207	FORD		
	52028185AB	CHRYSLER	6 201 247	FORD		
	AT 22963	JOHN DEERE	800 572	FORD		
	GTS 298	ROVER	800 573	FORD		
	RE 33705	JOHN DEERE				
3004.74	1 518 627	FORD				

Vergleichsliste
Cross References
Liste de Correspondances



Wahler-Nr. Wahler-ref. Réf. Wahler	Hersteller-Nr. Manufacturer's Ref. Réf. Constructeurs	Hersteller Manufacturer Constructeur	Wahler-Nr. Wahler-ref. Réf. Wahler	Hersteller-Nr. Manufacturer's Ref. Réf. Constructeurs	Hersteller Manufacturer Constructeur
3021.88D50	800 574	FORD	3053.72	1337 40	PEUGEOT
	81SF 8575 EA	FORD		5411412	CITROËN
	81SF 8575 FA	FORD	3053.75	1337 26	PEUGEOT
	85HF 8575 AA	FORD		6 058 784	FORD
	91XM 8575 AA	FORD		79 10 011 873	PEUGEOT
	ERT 122	MOTORCRAFT			
	ERT 193	MOTORCRAFT			
3021.92D50	6 100 629	FORD	3053.78	1337 11	PEUGEOT
	ERT 103	MOTORCRAFT		1337 13	PEUGEOT
3022.87D	431 1105	FIAT		1337 59	PEUGEOT
	431 7492	FIAT		1337 66	PEUGEOT
3023.87D	415 4312	FIAT		5430115	CITROËN
	415 4313	FIAT	3053.85	77 01 348 139	RENAULT
	EA03222101	SEAT		3054.87D50	02 898 688
3029.83	225.070	DAF	13 38 018		OPEL
	77 00 575 874	RENAULT	13 38 041		OPEL
	77 01 348 376	RENAULT	3054.92D50	02 898 440	VAUXHALL
3029.86	77 00 619 931	RENAULT		13 38 016	OPEL
	77 00 722 762	RENAULT	3061.82	1337 47	PEUGEOT
	77 01 348 374	RENAULT		91 500 72 380	PEUGEOT
3029.89	267 235	VOLVO		91 500 723	CITROËN
	77 00 727 190	RENAULT		9150 0723 80	FIAT
	77 00 730 540	RENAULT	3061.88	1337 49	PEUGEOT
77 01 348 068	RENAULT	91 500 724 80		PEUGEOT	
3032.80	113 095 091	SKODA	3067.83	607 10617	ALFA ROMEO
	1130950	SKODA		3091.92D	036 121 113
3032.88	114 095 090	SKODA	036 121 113 A		AUDI
	3033.78	5454410R	CITROËN		036 121 113 B
5490459C		CITROËN	052 121 113 A		AUDI
75441833		CITROËN	3096.75	238 156	SCANIA
95 492 929		CITROËN		525 076	SCANIA
3033.78D	5454410R	CITROËN	3100.88D	6 994 257	FORD
	5490459C	CITROËN		95WM 8575 AA	FORD
	75441833	CITROËN	3100.92D ▲	4 356 548	FORD
	95 492 929	CITROËN		6 758 566	FORD
3033.84	1337 65	PEUGEOT		YU3E 8575 BA	FORD
	95 495 311	CITROËN	3103.79	9845 0800	FIAT
3033.84D	1337 65	PEUGEOT		3105.87D	754 5958
	95 495 311	CITROËN	7545 9580		AUTOBIANCHI
3044.80	17670-82810-000	SUZUKI	758 9135		FIAT
	6554040601	INNOCENTI	7581 3190		AUTOBIANCHI
3044.90	90048-33011-000	DAIHATSU	3109.82D	758 1201	LANCIA
	3044.90D1	21200-01B00		NISSAN	758 1636
					7581 635
			3109.87D	758 1200	FIAT



Vergleichsliste
Cross References
Liste de Correspondances

Wahler-Nr. Wahler-ref. Réf. Wahler	Hersteller-Nr. Manufacturer's Ref. Réf. Constructeurs	Hersteller Manufacturer Constructeur	Wahler-Nr. Wahler-ref. Réf. Wahler	Hersteller-Nr. Manufacturer's Ref. Réf. Constructeurs	Hersteller Manufacturer Constructeur
3109.87D	758 1201	FIAT	3119.82D5	90916-03055	TOYOTA
3116.82D	77 01 035 736	RENAULT	3119.88	3 257 449	FORD
	77 01 039 156	RENAULT		90048-33021-000	DAIHATSU
	9849 8831	FIAT		90916-03040	TOYOTA
3118.82D1	21200-2H600	NISSAN		MD 997221	MITSUBISHI
	21200-41B00	NISSAN	3119.88D3	8173-99-152 A	MAZDA
	21200-85G00	NISSAN		8173-99-152 B	MAZDA
	21200-99B03	NISSAN		8AG4-15-171	MAZDA
	21200-P7901	NISSAN		8AX1-15-171	MAZDA
	21200-P7990	NISSAN		B541-15-171	MAZDA
	21200-V0100	NISSAN		HE 41-99-152 A	MAZDA
	21200-V0200	NISSAN	3119.88D4	MD 005131	MITSUBISHI
	21200-V0201	NISSAN			
3118.88D1	21200-2H605	NISSAN	3136.82D50	1337 30	PEUGEOT
	21200-78515	NISSAN		1338 37	PEUGEOT
	21200-85G05	NISSAN		1338 83	PEUGEOT
	21200-85G06	NISSAN		77 01 348 372	RENAULT
	21200-P7500	NISSAN		79 100 111 01	CITROËN
	21200-P7905	NISSAN		79 100 143 90	CITROËN
	21200-P7906	NISSAN		79 100 165 60	CITROËN
	21200-P7991	NISSAN		96 171 780 80	CITROËN
	21200-V0105	NISSAN	3136.88D50	1337 27	PEUGEOT
	21200-V0205	NISSAN		1338 11	CITROËN
	21200-V0206	NISSAN		1338 44	CITROËN
3119.82	17600-83821-000	SUZUKI		79 100 118 80	CITROËN
	19300-PA0-003	HONDA		96 049 146	CITROËN
	19300-PB2-003	HONDA		96 050 286 80	CITROËN
	19300-PB2-004	HONDA		96 057 087 80	PEUGEOT
	19300-PB2-013	HONDA		96 057 136	CITROËN
	19300-PB2-014	HONDA		96 057 136 80	PEUGEOT
	19300-PB2-024	HONDA		96 196 379 80	PEUGEOT
	19300-PB2-811	HONDA	3141.87D	050 121 113 C	AUDI
	19300-PB2-812	HONDA		06B 121 113 A	VOLKSWAGEN
	19300-PB2-815	HONDA	3142.90D	0003179V009	SMART
	19300-PB2-816	HONDA		0003179V010	SMART
	19300-PB2-817	HONDA		160 200 03 15	MERCEDES-BENZ
	8124-99-152	MAZDA			
	90916-03040-000	DAIHATSU			
3119.82D3	HE 41-99-152 C	MAZDA	3143.87D	032 121 110 B	AUDI
				032 121 110 P	AUDI
3119.82D4	MD 001370	MITSUBISHI	3145.79D	062 121 111 A	VOLKSWAGEN
	MD 005371	MITSUBISHI		062 121 111 B	VOLKSWAGEN
	MD 008086	MITSUBISHI		9.407.0.757.002.4	VOLKSWAGEN
	MD 075460	MITSUBISHI	3146.90D	0004698V002	SMART
	MD 117759	MITSUBISHI		0004698V003	SMART
	MD 126168	MITSUBISHI		660 200 03 15	MERCEDES-BENZ
	MD 972905	MITSUBISHI	3151.87D	4652 3118	FIAT
	MD 972908	MITSUBISHI		4673 7644	FIAT
	MD 997217	MITSUBISHI	3159.82D	1337 48	PEUGEOT
	MD 997219	MITSUBISHI		595 0116	FIAT
	MD 997220	MITSUBISHI			
	MD 997602	MITSUBISHI			
	MD 997603	MITSUBISHI			
	MD 997607	MITSUBISHI			

Vergleichsliste
Cross References
Liste de Correspondances



Wahler-Nr. Wahler-ref. Réf. Wahler	Hersteller-Nr. Manufacturer's Ref. Réf. Constructeurs	Hersteller Manufacturer Constructeur	Wahler-Nr. Wahler-ref. Réf. Wahler	Hersteller-Nr. Manufacturer's Ref. Réf. Constructeurs	Hersteller Manufacturer Constructeur	
3159.82D	7 564 583	FIAT	3356.80D	8234 2688	LANCIA	
	7 615 234	FIAT		3360.87D	762 8417	FIAT
	7 615 235	FIAT	3163.88D		596 6787	FIAT
3163.88D	4652 2664	FIAT			596 9749	FIAT
	4677 6217	FIAT		762 6622	FIAT	
	3164.88	4653 6104	FIAT	SE020032221A	SEAT	
4677 6218		FIAT	3373.80D	765 6384	FIAT	
3166.89D	11061-00QAE	NISSAN		765 6385	FIAT	
	77 00 110 716	RENAULT	3378.80 •	761 3433	FIAT	
3167.83D ▲	032 121 110 F	VOLKSWAGEN		3383.87	755 4544	FIAT
	3169.79D ▲	50 404 5799	IVECO		769 2450	FIAT
50 408 4365		IVECO	769 6535		FIAT	
3171.82D ▲	50 401 7209	IVECO	3431.80D	1336 A7	CITROËN	
	3174.89D	77 00 868 980		RENAULT	4681 8413	FIAT
3187.73		77 00 851 485	RENAULT	599 9818	LANCIA	
	3300.80D	779 4132	FIAT	759 7659	FIAT	
3301.80D		777 0416	FIAT	759 9824	FIAT	
	3302.80D	774 1883	FIAT	762 5346	FIAT	
3333.87		2108-01306-010	LADA	762 5347	FIAT	
	2108-1306010	LADA	3457.90D	271 200 00 15	MERCEDES-BENZ	
	2108-1306011	LADA		271 203 03 75	MERCEDES-BENZ	
3336.83	21011-3060-10	LADA	3463.89D	1336 Q1	PEUGEOT	
	3338.80	2121-13060-10		LADA	96 300 66 780	PEUGEOT
		3343.80D	442 3976	FIAT	3466.89D	44 08 334
596 4120			FIAT	60 01 543 366		RENAULT
3344.75	11 53 1 260 720		BMW	77 00 872 554		RENAULT
	3344.80	11 53 1 253 248	BMW	77 00 872 635		RENAULT
11 53 1 253 249		BMW	82 00 772 985	RENAULT		
11 53 9 055 587		BMW	91 159 950	GENERAL MOTORS		
3345.79	0004218650	SEAT	3467.85D	13 38 075	OPEL	
	421 8649	AUTOBIANCHI		8-97087-130-2	ISUZU	
3347.80	4218 6500	FIAT	97 087 130	GENERAL MOTORS		
	3352.80	8230 0146	LANCIA	3468.88D	13 38 056	OPEL
		8230 0499	LANCIA		17670-78E00	SUZUKI
3355.80D		594 2240	FIAT		8-94123-295-0	ISUZU
	762 8527	FIAT	8-94123-295-1		ISUZU	
3355.80D	594 2240 762 8527	FIAT FIAT	8-94372-762-0		ISUZU	
			8AG1-15-171		MAZDA	
			8AG1-15-171A		MAZDA	
			8AG2-15-171		MAZDA	
			8AG2-15-171A		MAZDA	
			8AG6-15-171		MAZDA	
			8AG7-15-171		MAZDA	
			8AG8-15-171		MAZDA	
			8AZ1-15-171		MAZDA	
			94 372 762		GENERAL MOTORS	
			RF03-15-171A	MAZDA		



Vergleichsliste
Cross References
Liste de Correspondances

Wahler-Nr. Wahler-ref. Réf. Wahler	Hersteller-Nr. Manufacturer's Ref. Réf. Constructeurs	Hersteller Manufacturer Constructeur	Wahler-Nr. Wahler-ref. Réf. Wahler	Hersteller-Nr. Manufacturer's Ref. Réf. Constructeurs	Hersteller Manufacturer Constructeur
3469.91D	77 00 742 617	RENAULT	3497.88D	XS7Q 8575 AA	FORD
	77 00 858 802	RENAULT			
3470.89D50	3 344 616	VOLVO	3498.88D	OK710-15-171	KIA
	3 345 628	VOLVO		OK9FC-15-171	KIA
	44 02 719	OPEL		8AB1-15-171	MAZDA
	77 00 723 945	RENAULT		8AB5-15-171	MAZDA
	77 00 866 896	RENAULT		8AB8-15-171	MAZDA
	77 00 872 314	RENAULT		8ABE-15-171	MAZDA
	77 01 348 373	RENAULT		8AG3-15-171	MAZDA
	9 110 719	GENERAL MOTORS		8AG5-15-171	MAZDA
	M-474877	MITSUBISHI		8AK1-15-171	MAZDA
	M-863985	MITSUBISHI		8AN1-15-171	MAZDA
	3472.87D	03G 121 113		VOLKSWAGEN	8AU-15-171
8AU1-15-171			MAZDA		
3477.88D	16340-54010	TOYOTA	AB6-15-171	MAZDA	
	90916-03043	TOYOTA	B6H-15-171	MAZDA	
	90916-03062	TOYOTA	B6H-15-171 A	MAZDA	
	90916-03072	TOYOTA	BP6F-15-171	MAZDA	
	90916-03099	TOYOTA	BPD3-15-171	MAZDA	
	90916-03106	TOYOTA	E5D3-15-171	MAZDA	
	90916-03126	TOYOTA	F201-15-171	MAZDA	
	90916-54010	TOYOTA	KE5D3-15-171	KIA	
	J90 916 030 99	VOLKSWAGEN	ZZ40-15-171	MAZDA	
	J90 916 540 10	VOLKSWAGEN	3499.82D	0223-15-171	MAZDA
3478.82D	21200-4M500	NISSAN		0419-15-171	MAZDA
	21200-77A05	NISSAN		0419-99-152	MAZDA
	21200-77A65	NISSAN		8AB7-15-171	MAZDA
	21200-77A66	NISSAN		8AB9-15-171	MAZDA
	21200-86J00	NISSAN		8ABC-15-171	MAZDA
	21200-86J01	NISSAN		B366-15-171	MAZDA
	21200-90J00	NISSAN		B3H3-15-171	MAZDA
	21200-90J10	NISSAN		B3H8-15-171A	MAZDA
	21200-9F600	NISSAN		HE41-99-152C	MAZDA
	90080-23002	TOYOTA	HE41-99-152D	MAZDA	
	90916-03060	TOYOTA	3499.88D	8173-15-152 C	MAZDA
90916-03090	TOYOTA	8173-15-171		MAZDA	
90916-03090-000	DAIHATSU	8173-99-152		MAZDA	
90916-03095	TOYOTA	8173-99-152 A		MAZDA	
90916-03096	TOYOTA	8173-99-152 B		MAZDA	
90916-03109	TOYOTA	8ABA-15-171		MAZDA	
90916-03115	TOYOTA	8ABB-15-171		MAZDA	
3481.88D	4646 4992	FIAT		8ABB-15-171A	MAZDA
	4651 3506	FIAT		8ABD-15-171	MAZDA
	4652 3733	FIAT		8AG4-15-171	MAZDA
	4677 6216	FIAT	8AX1-15-171	MAZDA	
	3483.89D	1338 A0	PEUGEOT	B541-15-171	MAZDA
96 300 666 80		PEUGEOT	4003.86	605 04230	ALFA ROMEO
3484.87D	775 9596	FIAT		4006.82D	059 121 113 A
	3485.87D	772 2107	FIAT		059 121 113 B
3497.88D		1 096 283	FORD	8AB3 15 171	MAZDA
	1338 F5	PEUGEOT	C28067	JAGUAR	
3497.88D	1 096 283	FORD	C33012	JAGUAR	
	1338 F5	PEUGEOT	C37129	JAGUAR	
3497.88D	1 096 283	FORD	4007.80D	1000208309	LOMBARDINI
	1338 F5	PEUGEOT			

Vergleichsliste
Cross References
Liste de Correspondances



Wahler-Nr. Wahler-ref. Réf. Wahler	Hersteller-Nr. Manufacturer's Ref. Réf. Constructeurs	Hersteller Manufacturer Constructeur	Wahler-Nr. Wahler-ref. Réf. Wahler	Hersteller-Nr. Manufacturer's Ref. Réf. Constructeurs	Hersteller Manufacturer Constructeur	
4007.80D	1285 0152	DEUTZ-FAHR	4038.76D	273 953	VOLVO	
	1285 1663	DEUTZ-FAHR		875 787	VOLVO	
	50503501.1144	HATZ	4038.81D	1 544 098	VOLVO	
	9195 057	LOMBARDINI		273 952	VOLVO	
	9195 1240	LOMBARDINI		MD 997-461	MITSUBISHI	
	ED0091951240S	LOMBARDINI				
4008.74D	465 5782	FIAT	4049.80D	617 200 03 15	MERCEDES-BENZ	
	467 4169	FIAT		617 200 11 15	MERCEDES-BENZ	
	470 3624	FIAT	4049.80D1	617 200 18 15	MERCEDES-BENZ	
	470 3625	FIAT				
	482 3226	FIAT				
4008.79D	104.9195.092	LOMBARDINI	4064.75D	002 203 82 75	MERCEDES-BENZ	
	468 4390	IVECO		116 200 00 15	MERCEDES-BENZ	
	470 3088	IVECO	4078.65D	004 203 65 75	MERCEDES-BENZ	
	475 0024	FIAT				
	607 13535	ALFA ROMEO		4078.71D	002 203 16 75	MERCEDES-BENZ
	77 01 026 647	RENAULT			002 203 31 75	MERCEDES-BENZ
			110 200 09 15	MERCEDES-BENZ		
4017.82	3059 676 R 1	INTER HARV.	4078.75D	770275	PEGASO	
	3059 676 R 91	INTER HARV.				
	3059 676 R 92	INTER HARV.				
	3228 046 R 2	INTER HARV.		4078.79D	001 203 90 75	MERCEDES-BENZ
	3228 046 R1	INTER HARV.			002 203 35 75	MERCEDES-BENZ
4022.82D	75 02 297	SAAB		002 203 37 75	MERCEDES-BENZ	
	93 37 551	SAAB		002 203 38 75	MERCEDES-BENZ	
	94 214 962	ISUZU		002 203 46 75	MERCEDES-BENZ	
				002 203 72 75	MERCEDES-BENZ	
4022.82D1	754 0318	FIAT		002 203 78 75	MERCEDES-BENZ	
	761 5234	ALFA ROMEO		100 200 07 15	MERCEDES-BENZ	
	765 6567	FIAT	4078.87D	001 203 91 75	MERCEDES-BENZ	
4022.88D	273 458	VOLVO		002 203 76 75	MERCEDES-BENZ	
	83 89 512	SAAB		002 203 81 75	MERCEDES-BENZ	
4022.92D	93 20 284	SAAB		100 200 05 15	MERCEDES-BENZ	
				102 200 08 15	MERCEDES-BENZ	
4026.89 •	131 666.00	TALBOT		102 200 14 15	MERCEDES-BENZ	
				102 200 15 15	MERCEDES-BENZ	
4029.91 •	466 017	VOLVO		110 200 01 11	MERCEDES-BENZ	
				110 200 05 15	MERCEDES-BENZ	
4030.70	4 901 2012 F	VM		4078.92D	004 203 86 75	MERCEDES-BENZ
	461.0943	SAURER	110 200 19 15		MERCEDES-BENZ	
4033.82D	422 0309	FIAT	4083.79 •	738 0833	LIEBHERR	
	443 7481	FIAT				
4038.65D	1 544 389	VOLVO	4083.83D50	001 203 69 75	MERCEDES-BENZ	
	273 950	VOLVO		002 203 04 75	MERCEDES-BENZ	
	3 831 426	VOLVO		002 203 53 75	MERCEDES-BENZ	
	424 370	VOLVO	4088.80D	035 121 113	AUDI	
	466 127	VOLVO				
4038.71D	875 788	VOLVO	4088.87D	035 121 113 B	AUDI	
				273 728	VOLVO	
4038.76D	1 544 097	VOLVO	4089.82D	1 219 150	VOLVO	
	273 951	VOLVO		463 433	VOLVO	



Vergleichsliste
Cross References
Liste de Correspondances

Wahler-Nr. Wahler-ref. Réf. Wahler	Hersteller-Nr. Manufacturer's Ref. Réf. Constructeurs	Hersteller Manufacturer Constructeur	Wahler-Nr. Wahler-ref. Réf. Wahler	Hersteller-Nr. Manufacturer's Ref. Réf. Constructeurs	Hersteller Manufacturer Constructeur
4089.87	1 219 675 GTS 193	VOLVO ROVER	410131.88D ▲	1 086 282 1E07-15-171 6 169 774 89FF 8575 AB	FORD MAZDA FORD FORD
4089.87D	273 459	VOLVO			
4089.92	463 750 GTS 181	VOLVO ROVER	410171.87D ▲	5080 146 AB 611 200 07 15 646 200 12 15	DODGE MERCEDES-BENZ MERCEDES-BENZ
4089.92D	273 307	VOLVO			
4091.82	435 1196 4355 8460 440 9254 4409 2540	FIAT AUTOBIANCHI FIAT AUTOBIANCHI	410174.92D ▲	646 200 00 15 646 200 11 15 646 203 02 75	MERCEDES-BENZ MERCEDES-BENZ MERCEDES-BENZ
4091.82D ▲	435 1196 4355 8460 440 9254 4409 2540	FIAT AUTOBIANCHI FIAT AUTOBIANCHI	410176.82D0 ▲	21200-57J00 21200-57J15	NISSAN NISSAN
410007.87D	772 9959	FIAT	410176.88D0 ▲	21200-57J05	NISSAN
410016.98D ▲	1 473 089 1 473 090 7S7G 6L721 AA 7S7G 6L721 AB	FORD FORD FORD FORD	410178.82D ▲	90916-03088 90916-03101 90916-03120	TOYOTA TOYOTA TOYOTA
410044.82D	11 53 7 791 072 90916-03092 90916-03093	BMW TOYOTA TOYOTA	410179.84D ▲	90048-33078 90048-33083 90048-33092	DAIHATSU DAIHATSU DAIHATSU
410048.88D ▲	5519 4271 5520 2373 63 38 039 9 318 4200	FIAT FIAT OPEL OPEL	410180.82D ▲	MD 174233 MD 194988 MD 348937 MD 351495 MD 997644 ME 220538 ME 241816	MITSUBISHI MITSUBISHI MITSUBISHI MITSUBISHI MITSUBISHI MITSUBISHI MITSUBISHI
410049.88D ▲	13 38 154 13 38 275 1338 039 55 202 510 5518 7784 5520 2510 5520 3388 93 179 136	OPEL OPEL OPEL GENERAL MOTORS FIAT FIAT FIAT GENERAL MOTORS	410181.82D ▲	90916-03097 90916-03118	TOYOTA TOYOTA
410058.84D ▲	1338 38 96 145 00 980	CITROËN CITROËN	410182.84D ▲	90048-33047 90048-33056	DAIHATSU DAIHATSU
410069.82D ▲	50 411 0432	IVECO	410183.82D ▲	17600-85811 17670-50G00 17670-76A00 17670-76A01 17670-76G00 17670-77G00	SUZUKI SUZUKI SUZUKI SUZUKI SUZUKI SUZUKI
410081.79D ▲	50 415 0562	FIAT	410183.88D ▲	17600-77820 17600-85821 17670-50G10 17670-50G20 17670-67H00 17670-76G10 17670-77G10 17670-85020 94 580 182 96 610 574	SUZUKI SUZUKI SUZUKI SUZUKI SUZUKI SUZUKI SUZUKI SUZUKI GENERAL MOTORS GENERAL MOTORS
410086.97D0 ▲	11 53 7 549 476	BMW			
410087.97D0 ▲	11 53 7 550 172	BMW			
410090.88D ▲	5519 3669 5519 4029 5520 2176	FIAT FIAT FIAT	410184.89D ▲	1336 Q2	CITROËN

* see last page / voir dernière page

Vergleichsliste
Cross References
Liste de Correspondances



Wahler-Nr. Wahler-ref. Réf. Wahler	Hersteller-Nr. Manufacturer's Ref. Réf. Constructeurs	Hersteller Manufacturer Constructeur	Wahler-Nr. Wahler-ref. Réf. Wahler	Hersteller-Nr. Manufacturer's Ref. Réf. Constructeurs	Hersteller Manufacturer Constructeur
410184.89D ▲	96 485 426 80	PEUGEOT	410230.78D ▲	21200-AA071	SUBARU
410201.80D ▲	90048-33088	DAIHATSU		21200-AA072	SUBARU
	90916-03122	TOYOTA		21200-AA170	SUBARU
	J16340-54010	VOLKSWAGEN		21210AA030	SUBARU
				21210AA080	SUBARU
410224.78D ▲	19300-P08-0140	HONDA	410231.82D ▲	90916-03123	TOYOTA
	19300-PDA-E01	HONDA	410262.91D ▲	5 278 144 AA	CHRYSLER
	19300-PJ7-003	HONDA	410263.91D ▲	11 53 1 485 847	BMW
	19300-PJ7-004	HONDA		11 53 1 501 173	BMW
	19300-PM3-003	HONDA		11 53 7 596 787	BMW
	19300-PM3-004	HONDA		4693117AA	CHRYSLER
	19300-PR3-003	HONDA	4103.82	90916-03046	TOYOTA
	19300-PT0-003	HONDA		90916-03046-000	DAIHATSU
	19300-PT0-004	HONDA		90916-03065	TOYOTA
	19301-P08-000	HONDA		90916-03069	TOYOTA
	19301-P08-305	HONDA		J 90 916 030 46	VOLKSWAGEN
	19301-P08-306	HONDA	4103.82D ▲	90916-03046	TOYOTA
	19301-P08-315	HONDA		90916-03046-000	DAIHATSU
	19301-P08-316	HONDA		90916-03065	TOYOTA
	19301-P10-307	HONDA		90916-03069	TOYOTA
	19301-P1K-307	HONDA		J 90 916 030 46	VOLKSWAGEN
	19301-PAA-305	HONDA	410348.82D ▲	25500-23001	HYUNDAI
	19301-PAA-306	HONDA	410351.88D ▲	25500-22600	HYUNDAI
	19301-PLC-305	HONDA	410352.82D ▲	0K2A-15-171	KIA
	19301-PLC-315	HONDA		KHE41-15-171	KIA
410224.82D ▲	19301-P07-306	HONDA	410352.88D ▲	0K2C0-15-171A	KIA
	19301-P07-316	HONDA	410396.82D ▲	03L 121 113 A	VOLKSWAGEN
	19301-PWA-305	HONDA	410475.87D ▲	032 121 110 L	VOLKSWAGEN
	19301-PZA-305	HONDA		032 121 121 G	VOLKSWAGEN
410225.78D ▲	19301-PNA-003	HONDA		032 121 121 K	VOLKSWAGEN
410226.78D ▲	19301-RAF-003	HONDA	410488.88D ▲	21200-BX000	NISSAN
	19301-RAF-004	HONDA	4105.71D	002 203 39 75	MERCEDES-BENZ
410228.82D ▲	17570-74000	SUZUKI		003 203 29 75	MERCEDES-BENZ
	17570740001	SUZUKI		003 203 32 75	MERCEDES-BENZ
	17600-83810	SUZUKI		003 203 74 75	MERCEDES-BENZ
	17600-83811	SUZUKI		003 203 79 75	MERCEDES-BENZ
	17600-83820	SUZUKI		004 203 84 75	MERCEDES-BENZ
	17600-83821	SUZUKI	4105.75D	005 203 28 75	MERCEDES-BENZ
	17600-83822	SUZUKI		474 9724	IVECO
	17600-83823	SUZUKI	4105.79D	003 203 91 75	MERCEDES-BENZ
	17600-85830	SUZUKI		003 203 92 75	MERCEDES-BENZ
	17600-85831	SUZUKI		004 203 85 75	MERCEDES-BENZ
	17670-73000	SUZUKI		005 203 27 75	MERCEDES-BENZ
	17670-73020	SUZUKI			
	17670-73021	SUZUKI			
	17670-83000	SUZUKI			
	17670-83001	SUZUKI			
	17670-83010	SUZUKI			
	17670-83011	SUZUKI			
410229.82D ▲	17670-65D00	SUZUKI			
	17670-77E00	SUZUKI			
	17670-85C00	SUZUKI			



Vergleichsliste
Cross References
Liste de Correspondances

Wahler-Nr. Wahler-ref. Réf. Wahler	Hersteller-Nr. Manufacturer's Ref. Réf. Constructeurs	Hersteller Manufacturer Constructeur	Wahler-Nr. Wahler-ref. Réf. Wahler	Hersteller-Nr. Manufacturer's Ref. Réf. Constructeurs	Hersteller Manufacturer Constructeur												
4105.83D	002 203 32 75	MERCEDES-BENZ	410588.88D ▲	63 38 022	OPEL												
	002 203 45 75	MERCEDES-BENZ		93 177 343	GENERAL MOTORS												
	002 203 47 75	MERCEDES-BENZ		410589.88D ▲	4678 5392	FIAT											
	002 203 49 75	MERCEDES-BENZ			410590.88D ▲	6066 3619	ALFA ROMEO										
	002 203 56 75	MERCEDES-BENZ				410591.88D ▲	4675 8586	FIAT									
	002 203 59 75	MERCEDES-BENZ					410608.86D	50 409 6443 Kit	IVECO								
	002 203 79 75	MERCEDES-BENZ						410705.89D ▲	1336-Z0	CITROËN							
	002 203 90 75	MERCEDES-BENZ							96 472 659 80	PEUGEOT							
	003 203 14 75	MERCEDES-BENZ							410758.83D	50 10 295 225 2x Kit	RENAULT						
	003 203 28 75	MERCEDES-BENZ								410792.95D ▲	11 53 1 247 125	BMW					
	003 203 31 75	MERCEDES-BENZ									11 53 1 432 881	BMW					
	003 203 73 75	MERCEDES-BENZ									11 53 1 739 755	BMW					
	003 203 78 75	MERCEDES-BENZ									410793.95D ▲	11 51 7 500 597	BMW				
	004 203 83 75	MERCEDES-BENZ										410828.82D	50 00 684 865 Kit	RENAULT			
	005 203 26 75	MERCEDES-BENZ											410828.82D0	50 00 684 865	RENAULT		
	373 203 70 75	MERCEDES-BENZ												410828.86D	50 00 691 267 Kit	RENAULT	
	83 129 996 050	EVOBUS													410828.86D0	50 00 691 267	RENAULT
410511.88D ▲	4679 0294	FIAT	410845.87D ▲													03L 121 111 AE	VOLKSWAGEN
	6081 6681	ALFA ROMEO														410845.92D ▲	03L 121 111 R
410512.88D ▲	4654 6375	FIAT		03L 121 111 S													VOLKSWAGEN
	6081 5681	ALFA ROMEO		410864.71D0	81.06401.0019												MAN
410513.88D ▲	4652 0785	FIAT			81.06401.0042	MAN											
	779 4218	FIAT			410864.83D0	81.06401.0038	MAN										
410514.88D ▲	6065 3946	FIAT				81.06401.0045	MAN										
	6081 4382	FIAT				9011 0080	DEUTZ-FAHR										
410515.88D ▲	4641 7962	FIAT				410956.83D ▲	777 3790	FIAT									
	410516.88D ▲	779 1178					FIAT	410994.88D ▲	4680 4764	FIAT							
410517.83D ▲		11061-00QAB					NISSAN		411004.80D	1 423 451							SCANIA
	82 00 074 349	RENAULT					1 799 757			SCANIA							
410517.89D ▲	11060-AW300	NISSAN					1 800 909			SCANIA							
	11061-00QAD	NISSAN					1 849 060			SCANIA							
	44 04 305	OPEL					411039.83D ▲			11061-00Q0D	NISSAN						
	82 00 074 346	RENAULT								11061-00QAM	NISSAN						
	9 112 305	GENERAL MOTORS								17690-84A50-000	SUZUKI						
410518.89D ▲	77 00 112 491	RENAULT	82 00 244 023							RENAULT							
	77 01 474 248	RENAULT	82 00 400 554							RENAULT							
410520.92D	93 275 736	GENERAL MOTORS	82 00 558 758							RENAULT							
	410530.89D ▲	77 00 109 641	RENAULT	411040.83D ▲						82 00 400 553	RENAULT						
77 01 474 249		RENAULT															
410536.92D ▲	03L 121 114 B	VOLKSWAGEN	411040.83D ▲		82 00 400 553					RENAULT							
	410537.92D ▲	03L 121 113 B			VOLKSWAGEN												
410538.89D ▲		82 00 112 054			RENAULT												
	410588.88D ▲	17690-84E50-000			SUZUKI												
55 182 499		GENERAL MOTORS															

* see last page / voir dernière page

Vergleichsliste
Cross References
Liste de Correspondances



Wahler-Nr. Wahler-ref. Réf. Wahler	Hersteller-Nr. Manufacturer's Ref. Réf. Constructeurs	Hersteller Manufacturer Constructeur	Wahler-Nr. Wahler-ref. Réf. Wahler	Hersteller-Nr. Manufacturer's Ref. Réf. Constructeurs	Hersteller Manufacturer Constructeur
411040.83D ▲	82 00 558 751	RENAULT	4115.92D	90 156 558	GENERAL MOTORS
411042.89D ▲	82 00 267 349	RENAULT	4116.87D1	069 121 113	AUDI
	82 00 558 766	RENAULT		069 121 113 A	VOLKSWAGEN
411043.89D ▲	11060-BN700	NISSAN		272 246	VOLVO
	11061-00Q0E	NISSAN	4117.80D	3 273 728	VOLVO
	11061-00QAG	NISSAN		002 203 75 75	MERCEDES-BENZ
	11061-00QAL	NISSAN		002 203 80 75	MERCEDES-BENZ
	82 00 039 885	RENAULT		615 200 13 15	MERCEDES-BENZ
	82 00 171 021	RENAULT	4122.87D	616 200 04 15	MERCEDES-BENZ
	82 00 244 402	RENAULT		1337 34	PEUGEOT
	82 00 374 994	RENAULT		273 480	VOLVO
	82 00 558 783	RENAULT		77 00 657 955	RENAULT
411045.82D	50 10 284 184	RENAULT		77 00 703 136	RENAULT
	657 GC 324 A-P80	MACK		77 00 710 657	RENAULT
411089.83D	130 3061	DAF		77 01 349 173	RENAULT
	143 9844	DAF		77 01 349 415	RENAULT
	166 1277	DAF		79 10 246 113	PEUGEOT
	168 4900	DAF		79 10 247 116	PEUGEOT
411089.87D	135 6473	DAF	4123.70	7910247116	LANCIA
	143 9845	DAF		076 121 113 A	VOLKSWAGEN
	166 1375	DAF	4123.80D		
411127.83D	168 4900 / XF105	DAF		005 203 29 75	MERCEDES-BENZ
411127.87D	166 1375 / XF105	DAF		075 121 113 D	AUDI
411133.80D	129 3885 / F75-85-95	DAF		1 018 799	FORD
411134.83D	168 4900 / 85 CF	DAF		1 032 249	FORD
411134.87D	166 1375 / 85 CF	DAF	4126.88	90048-33029-000	DAIHATSU
411135.83D	168 4900 / CF 75	DAF		90916-03043	TOYOTA
411135.87D	166 1375 / CF 75	DAF		90916-03062	TOYOTA
411186.87D ▲	06D 121 111 G	VOLKSWAGEN	4137.80D		
411193.82D ▲	12 615 097	SAAB		004 203 39 75	MERCEDES-BENZ
	12 622 410	SAAB		004 203 40 75	MERCEDES-BENZ
	13 38 007	OPEL		116 200 03 15	MERCEDES-BENZ
	13 38 008	OPEL	4144.82D		
	13 38 034	OPEL		13 38 059	OPEL
	13 38 034	OPEL		13 38 062	OPEL
	13 38 427	OPEL		90 410 665	GENERAL MOTORS
	21 018 811	GENERAL MOTORS	4144.92D	90 443 473	GENERAL MOTORS
	90 537 453	SAAB		13 38 049	OPEL
	90 537 605	GENERAL MOTORS		13 38 054	OPEL
	90 537 811	SAAB		90 232 012	GENERAL MOTORS
411241.82D ▲	21200-ED00A	NISSAN		90 264 080	VAUXHALL
	77 010 68 770	RENAULT	4147.80D	90 354 822	DAEWOO
4115.92D	13 38 046	OPEL		1 612 191	FORD
	90 009 956	VAUXHALL		1337 64	PEUGEOT
				1337 68	PEUGEOT
				1338 20	PEUGEOT
				1338 25	PEUGEOT
				6 182 480	FORD
				77 00 665 226	RENAULT
				77 00 697 157	RENAULT
				77 00 858 087	RENAULT
				77 00 862 200	RENAULT



Vergleichsliste
Cross References
Liste de Correspondances

Wahler-Nr. Wahler-ref. Réf. Wahler	Hersteller-Nr. Manufacturer's Ref. Réf. Constructeurs	Hersteller Manufacturer Constructeur	Wahler-Nr. Wahler-ref. Réf. Wahler	Hersteller-Nr. Manufacturer's Ref. Réf. Constructeurs	Hersteller Manufacturer Constructeur		
4147.80D	93 501 145	CITROËN	4158.80D	13 38 466	OPEL		
	93 501 386	CITROËN		3 901 2004 F	VM		
	96 090 230 80	PEUGEOT		4778 975	CHRYSLER		
	96 159 513	CITROËN		7 072 643	FORD		
	GTS 303	LAND ROVER		91 153 670	VAUXHALL		
	T 069 7157	CHRYSLER		GTS 287	ROVER		
4150.71D50	51.06402.0042	MAN		PEL 10009 EVA	ROVER		
	51.06402.0052	MAN		RTC 6673	LAND ROVER		
	51.06402.0057	MAN		4160.83D	605 16212	ALFA ROMEO	
	51.06402.0062	MAN			4161.83	928.106.129.06	PORSCHE
	51.06402.0065	MAN				928.106.129.16	PORSCHE
	51.06402.0068	MAN				928.106.129.17	PORSCHE
4150.79D50	51.06402.0034	MAN	4162.79D		6131 6592	IVECO	
	51.06402.0043	MAN			6131 8373	IVECO	
	51.06402.0044	MAN	4163.74D	9849 2868	IVECO		
	51.06402.0049	MAN		9849 2873	IVECO		
	51.06402.0050	MAN		4163.79D	9842 0718	IVECO	
	51.06402.0051	MAN			9846 7517	IVECO	
	51.06402.0053	MAN		4164.92D	13 38 050	OPEL	
	51.06402.0056	MAN			13 38 057	OPEL	
	51.06402.0061	MAN			13 38 063	OPEL	
	51.06402.0064	MAN			90 220 435	GENERAL MOTORS	
51.06402.0067	MAN	90 354 822	GENERAL MOTORS				
51.06402.0069	MAN	90 443 472	GENERAL MOTORS				
4150.83D50	51.06402.0058	MAN	4165.79	473 8169	IVECO		
	51.06402.0060	MAN		9842 4854	IVECO		
	51.06402.0063	MAN		9843 3497	IVECO		
	51.06402.0066	MAN	4165.79D	473 8169	IVECO		
4151.76D	44 00 106	OPEL		9842 4854	IVECO		
	482 6602	FIAT		9843 3497	IVECO		
	50 00 816 924	RENAULT	4166.79	480 4321	IVECO		
	9 108 106	GENERAL MOTORS		9843 2310	IVECO		
9846 7516	IVECO						
4151.79D	730 3174	FIAT	4166.79D	480 4321	IVECO		
	730 3615	FIAT		9843 2310	IVECO		
4152.79D	471 6264	IVECO		9846 7516	IVECO		
	480 7492	IVECO	4168.92D	13 38 060	OPEL		
	483 1783	IVECO		90 352 677	GENERAL MOTORS		
4154.82D	75 17 345	SAAB		4174.79D	45 00 823	OPEL	
	88 17 538	SAAB	477 0246		IVECO		
4154.88D	30 577 561	SAAB	482 3211		IVECO		
	88 17 298	SAAB	483 7166		IVECO		
	88 22 025	SAAB	77 01 042 512		RENAULT		
	91 66 687	SAAB	809 6735		IVECO		
	91 94 101	SAAB	9 161 123	GENERAL MOTORS			
	91 94 242	SAAB	9846 3637	FIAT			
4155.87D	025 121 113 D	AUDI	4158.80D	04778 975	CHRYSLER		
	025 121 113 E	AUDI					
	025 121 113 F	AUDI					
4158.80D	04778 975	CHRYSLER					

Vergleichsliste
Cross References
Liste de Correspondances



Wahler-Nr. Wahler-ref. Réf. Wahler	Hersteller-Nr. Manufacturer's Ref. Réf. Constructeurs	Hersteller Manufacturer Constructeur	Wahler-Nr. Wahler-ref. Réf. Wahler	Hersteller-Nr. Manufacturer's Ref. Réf. Constructeurs	Hersteller Manufacturer Constructeur	
4174.82D	1338 90	PEUGEOT	4201.92D	13 38 009	OPEL	
	5 0032 9622	FIAT		13 38 097	OPEL	
	50 032 9622	IVECO		24 435 781	GENERAL MOTORS	
		90 573 926		GENERAL MOTORS		
4175.92D	13 38 067	OPEL	4206.90D	272 335	VOLVO	
	13 38 084	OPEL		9 125 406	VOLVO	
	24 420 652	GENERAL MOTORS	4207.92D	13 38 002	OPEL	
	45 03 017	SAAB		9 128 786	GENERAL MOTORS	
	46 23 815	SAAB		4208.92D	13 38 331	OPEL
	90 410 897	GENERAL MOTORS			90 573 326	GENERAL MOTORS
90 502 201	GENERAL MOTORS	4223.75D	1 431 979	SCANIA		
4176.80D	003 203 98 75		MERCEDES-BENZ	4223.83D	1 358 995	SCANIA
	601 200 01 15		MERCEDES-BENZ		1 404 924	SCANIA
	602 200 00 15		MERCEDES-BENZ	1 423 450	SCANIA	
	603 200 00 15		MERCEDES-BENZ	4224.75D	1 458 198	SCANIA
	606 203 01 75	MERCEDES-BENZ	4224.80D		1 347 594	SCANIA
4176.85D	0820117806	MULTICAR			1 404 925	SCANIA
	601 200 00 15	MERCEDES-BENZ	1 745 449	SCANIA		
	606 203 02 75	MERCEDES-BENZ	4231.80D	11 53 1 251 041	BMW	
	606 203 05 75	MERCEDES-BENZ		11 53 1 254 065	BMW	
4177.92D	13 38 068	OPEL	4232.71	11 53 1 265 086	BMW	
	13 38 478	OPEL		4232.80D	11 53 1 264 668	BMW
	90 411 948	VAUXHALL	11 53 1 265 085		BMW	
	92 063 300	GENERAL MOTORS	4233.84D	003 203 82 75	MERCEDES-BENZ	
4178.92D	13 38 073	OPEL		116 200 02 15	MERCEDES-BENZ	
	90 412 901	GENERAL MOTORS	4235.71D	11 53 1 466 174	BMW	
	4180.82D	13 38 069		OPEL	4235.80D	11 53 1 710 953
90 486 128		GENERAL MOTORS	11 53 1 713 040	BMW		
92 061 279		DAEWOO	4236.88D	11 53 1 721 002	BMW	
4183.82D	13 38 080	OPEL		11 53 1 721 003	BMW	
	90 501 699	GENERAL MOTORS		11 53 7 511 580	BMW	
4183.92D	13 38 079	OPEL	4236.92D	11 53 1 733 803	BMW	
	90 501 081	GENERAL MOTORS		11 53 7 511 083	BMW	
4188.92D	13 38 087	OPEL	4237.80D	11 53 1 727 145	BMW	
	90 529 846	GENERAL MOTORS		11 53 2 243 126	BMW	
4189.87D	48 11 586	OPEL		11 53 2 244 151	BMW	
	92 062 728	CHEVROLET		11 53 2 246 199	BMW	
	92 067 408	CHEVROLET		13 38 076	OPEL	
4192.92D	1338 092	OPEL	90 509 110	VAUXHALL		
	90 576 015	GENERAL MOTORS	4237.88D	11 53 2 246 825	BMW	
4193.92D	47 72 190	SAAB		4238.92D	11 53 1 712 043	BMW
	9 543 786	GENERAL MOTORS				
4194.92D ▲	13 38 478	OPEL				
	92 063 300	GENERAL MOTORS				
4198.92D	13 38 100	OPEL				
	90 572 899	GENERAL MOTORS				



Vergleichsliste
Cross References
Liste de Correspondances

Wahler-Nr. Wahler-ref. Réf. Wahler	Hersteller-Nr. Manufacturer's Ref. Réf. Constructeurs	Hersteller Manufacturer Constructeur	Wahler-Nr. Wahler-ref. Réf. Wahler	Hersteller-Nr. Manufacturer's Ref. Réf. Constructeurs	Hersteller Manufacturer Constructeur			
4238.92D	11 53 1 743 528	BMW	4264.87D	044 121 113	AUDI			
	11 53 1 743 542	BMW		056 121 113 D	AUDI			
4242.92D	13 38 003	OPEL		1 002 788	FORD			
	9 129 907	GENERAL MOTORS		1 031 881	FORD			
4246.80D	4652 5581	FIAT		1 096 699	FORD			
	4247.80D	4646 6123		FIAT	4008540	MULTICAR		
4249.83D		996.106.013.54		PORSCHE	69015347	HAKO		
	996.106.013.55	PORSCHE		95VW 8575 AB	FORD			
	996.106.013.56	PORSCHE		95VW 8575 AC	FORD			
	996.106.013.57	PORSCHE		4269.78	19300-PE0-013	HONDA		
	996.106.121.53	PORSCHE	19300-PE0-024		HONDA			
	996.106.125.52	PORSCHE	19300-PLZ-004		HONDA			
4253.87D	032 121 113	VOLKSWAGEN	4269.78D ▲		19300-PE0-013	HONDA		
	056 121 113	VOLKSWAGEN		19300-PE0-024	HONDA			
	068 121 113 H	AUDI		19300-PLZ-004	HONDA			
4255.82D	08 966 483	GENERAL MOTORS		4270.88D	1 001 993	FORD		
	13 38 024	OPEL			1 663 819	FORD		
4255.87D	08 966 485	VAUXHALL			6 153 501	FORD		
	13 38 033	OPEL			6 588 962	FORD		
4255.92D	13 38 038	OPEL			6 866 389	FORD		
	90 067 918	VAUXHALL			89FF 8575 AA	FORD		
4256.80D	056 121 113 A	AUDI			89TM 8575 AA	FORD		
	4 N 6958	CATERPILLAR	928M 8575 AE		FORD			
	4 N 6959	CATERPILLAR	948M 8575 AA		FORD			
	9 L 9119	CATERPILLAR	ERT 152		MOTORCRAFT			
	9 L 9652	CATERPILLAR	4272.90D	271 417	VOLVO			
	9 N 5020	CATERPILLAR		271 664	VOLVO			
	9 N 5065	CATERPILLAR		74 31 397 947	RENAULT			
	9 N 5121	CATERPILLAR		74 36 842 409	RENAULT			
	9 N 5488	CATERPILLAR	74 39 180 811	RENAULT				
4256.80D60	944.106.129.05	PORSCHE	9 180 811	VOLVO				
	4256.83D60	037 121 113	VOLKSWAGEN	4274.82D	077 121 113 C	AUDI		
		944.106.019.00	PORSCHE		4274.87D	077 121 113 B	VOLKSWAGEN	
944.106.129.05		PORSCHE	078 121 113			VOLKSWAGEN		
4256.87D50	0 801 587	FORD	078 121 113 C			AUDI		
	6 100 372	FORD	078 121 113 F			AUDI		
	6 106 381	FORD	078 121 113 J			AUDI		
	6 124 378	FORD	4274.92D			078 121 113 G	AUDI	
	6 176 366	FORD				078 121 113 H	AUDI	
	84FF 8575 BA	FORD				4275.87D	00A 121 113	VOLKSWAGEN
	SE021032221B	SEAT					111 200 09 15	MERCEDES-BENZ
4256.92D50	6 058 444	FORD	111 203 02 75	MERCEDES-BENZ				
	4264.84D	030 121 113	VOLKSWAGEN	111 203 06 75	MERCEDES-BENZ			
		030 121 113 B	AUDI	111 203 08 75	MERCEDES-BENZ			
4276.87D	4278.80D	119 200 00 15	MERCEDES-BENZ					
			110 200 03 15	DAEWOO				
			111 200 03 15	MERCEDES-BENZ				
111 203 03 75	MERCEDES-BENZ							

Vergleichsliste
Cross References
Liste de Correspondances



Wahler-Nr. Wahler-ref. Réf. Wahler	Hersteller-Nr. Manufacturer's Ref. Réf. Constructeurs	Hersteller Manufacturer Constructeur	Wahler-Nr. Wahler-ref. Réf. Wahler	Hersteller-Nr. Manufacturer's Ref. Réf. Constructeurs	Hersteller Manufacturer Constructeur
4278.80D	119 203 01 75	MERCEDES-BENZ	4378.80	1.409.06.0002	STEYR
4279.87D	111 200 08 15	MERCEDES-BENZ		189 203 00 75	MERCEDES-BENZ
	111 203 05 75	MERCEDES-BENZ		409.03.02	STEYR
4280.80D	603 203 04 74	MERCEDES-BENZ	4379.87 •	192.53.0005	STEYR
	605 203 00 75	MERCEDES-BENZ		192.53.0034	STEYR
4280.85D	603 203 04 74	MERCEDES-BENZ	4414.87D ▲	111 200 17 15	MERCEDES-BENZ
	604 203 00 75	MERCEDES-BENZ		111 203 10 75	MERCEDES-BENZ
4281.87D	112 200 00 15	MERCEDES-BENZ	4417.81D	50 401 4236	IVECO
	112 203 02 75	MERCEDES-BENZ		50 403 1212	IVECO
	5098 918AA	CHRYSLER	4428.92D	63 38 004	OPEL
4286.87D	111 200 15 15	MERCEDES-BENZ	4430.87D ▲	070 121 114	VOLKSWAGEN
	111 203 09 75	MERCEDES-BENZ	4431.105D ▲	13 38 178	OPEL
4287.92D ▲	611 200 03 15	MERCEDES-BENZ		24 405 922	GENERAL MOTORS
	611 200 05 15	MERCEDES-BENZ		55 577 072	GENERAL MOTORS
	611 203 06 75	MERCEDES-BENZ		63 38 018	OPEL
	611 203 08 75	MERCEDES-BENZ		7174 4389	FIAT
	611 203 11 75	MERCEDES-BENZ	4433.92D	1 338 017	OPEL
	611 203 13 75	MERCEDES-BENZ		24 447 862	GENERAL MOTORS
4297.92D	13 38 015	OPEL	4434.80D	772 1399	FIAT
	24 420 728	GENERAL MOTORS	4436.80D	777 0236	FIAT
4298.87D	112 200 01 15	MERCEDES-BENZ	4446.83D	1338 23	CITROËN
	112 203 03 75	MERCEDES-BENZ		17570-86CA0	SUZUKI
4309.92D ▲	628 203 01 75	MERCEDES-BENZ		17670-66G00	SUZUKI
4326.97D	11 53 0 139 877	BMW		21215-1306015	LADA
	11 53 1 436 823	BMW		25511-29000	HYUNDAI
	11 53 1 437 040	BMW		77 00 868 274	RENAULT
	11 53 7 509 227	BMW		77 01 038 494	RENAULT
4337.105D	11 53 7 510 959	BMW		96 160 901	CITROËN
4345.80	11 53 1 309 786	BMW		9616 0901 80	FIAT
	11 53 1 311 654	BMW		9616090180	LANCIA
	11 53 1 315 537	BMW	4447.80D	SU001-0223	TOYOTA
4351.79	114 470	VALTRA		1338 19	PEUGEOT
	9 225 0 757 014 6	MWM		1338 72	CITROËN
4357.92D ▲	63 38 050	OPEL		96 118 108	CITROËN
	7173 9800	FIAT	4447.85D	96 272 785 80	PEUGEOT
4368.87	311.00.06.0065	STEYR		1338 13	PEUGEOT
4371.80	000 203 54 75	MERCEDES-BENZ		1338 71	CITROËN
	81.06401.6009	MAN	4449.84D	96 058 051	CITROËN
4373.70 •	81.06401.6002	MAN		96 272 814 80	PEUGEOT
4375.80 •	51.06401.0013	MAN	4450.83D	77 00 260 959	RENAULT
				1338 39	CITROËN
				96 160 902 80	PEUGEOT
				9616 0902 80	FIAT
			4450.89D	1338 26	CITROËN



Vergleichsliste
Cross References
Liste de Correspondances

Wahler-Nr. Wahler-ref. Réf. Wahler	Hersteller-Nr. Manufacturer's Ref. Réf. Constructeurs	Hersteller Manufacturer Constructeur	Wahler-Nr. Wahler-ref. Réf. Wahler	Hersteller-Nr. Manufacturer's Ref. Réf. Constructeurs	Hersteller Manufacturer Constructeur	
4450.89D	96 108 092	CITROËN	4520.75	6.0525.01.0.0050	MWM	
	96 108 092 80	PEUGEOT				
	96 108 093 80	PEUGEOT	4520.80D	0303.191.04	NEOPLAN	
4453.87D	611 200 02 15	MERCEDES-BENZ	4529.70	283 281	SCANIA	
	611 200 07 15	MERCEDES-BENZ		283 281-4	SCANIA	
	611 203 04 75	MERCEDES-BENZ		2871 591 M	KOMATSU	
	611 203 05 75	MERCEDES-BENZ		550 275	SCANIA	
	611 203 15 75	MERCEDES-BENZ		609E060013	STEYR	
	611 203 19 75	MERCEDES-BENZ		00 24 774 033	RENAULT	
4455.80D	022 121 113	VOLKSWAGEN	4529.83D0	50 00 694 785	RENAULT	
	955 106 113 00	PORSCHE				
4457.82D	1 007 754	FORD	4530.80	154.0943.426	SAURER	
	1 211 553	FORD		287 257 8M	KOMATSU	
	1 303 374	FORD		7380513	LIEBHERR	
	1E05-15-171 A	MAZDA	4546.80	001 203 66 75	MERCEDES-BENZ	
	96MM 8575 A1A	FORD		4547.80	001 203 14 75	MERCEDES-BENZ
	96MM 8575 BD	FORD			002 203 01 75	MERCEDES-BENZ
	96MM 8575 BE	FORD			610.00.06.0025	STEYR
4459.92D	12 992 692	GENERAL MOTORS	4565.70		881 9078	FIAT
	13 38 096	OPEL		882 9564	FIAT	
	63 38 028	OPEL		4565.80	4253 4386	IVECO
	90 570 620	VAUXHALL			882 9564	IVECO
4480.82D	90916-03075	TOYOTA	4572.105D ▲	07Z 121 111	VOLKSWAGEN	
	90916-03084	TOYOTA				
	90916-03125	TOYOTA				
	90916-03129	TOYOTA				
4483.82D	1 306 004	FORD	4588.75/1	149 620	VALTRA	
	30 711 624	VOLVO		9 229 8 757 004 6	MWM	
	4M5G 8575 ZA	FORD		4594.90D	11 53 1 704 704	BMW
4488.80D0 ▲	07K 121 113 B	VOLKSWAGEN	4596.83	50 10 295 225	RENAULT	
4489.90D ▲	3071 3572	VOLVO	4596.83D	50 10 295 225	RENAULT	
4490.87D ▲	642 200 02 15	MERCEDES-BENZ	4618.70	271990009-00	BUGATTI	
4508.105D	11 53 7 502 779	BMW	4618.82	27199003-00	BUGATTI	
	11 53 7 586 885	BMW				
4516.70D	11 53 1 731 486	BMW	4619.75	005 203 17 75	MERCEDES-BENZ	
4516.85D	11 53 1 710 056	BMW		1 661 993	VOLVO	
	11 53 1 720 033	BMW		222730	PEGASO	
	11 53 1 720 306	BMW		770662	PEGASO	
	11 53 1 729 720	BMW	4619.80	005 203 18 75	MERCEDES-BENZ	
11 53 1 729 841	BMW	075 0562		DAF		
4517.87D	120 200 00 15	MERCEDES-BENZ		11 53 1 312 288	BMW	
	120 203 02 75	MERCEDES-BENZ		11 53 1 315 063	BMW	
	4519.95D	11 53 1 702 279	BMW	295 024	DAF	
750 562				DAF		
4619.82				1 544 683	VOLVO	
4520.75	1 395 856	SCANIA	4619.82	50.01855.520	RENAULT	
				8 149 182	VOLVO	

Vergleichsliste
Cross References
Liste de Correspondances



Wahler-Nr. Wahler-ref. Réf. Wahler	Hersteller-Nr. Manufacturer's Ref. Réf. Constructeurs	Hersteller Manufacturer Constructeur	Wahler-Nr. Wahler-ref. Réf. Wahler	Hersteller-Nr. Manufacturer's Ref. Réf. Constructeurs	Hersteller Manufacturer Constructeur	
4619.86	005 203 19 75	MERCEDES-BENZ	4639.82D	1A51-15-171	MAZDA	
	1 665 694	VOLVO		3 396 924	FORD	
	50 10 447 161	RENAULT		3 599 763	FORD	
	50 10 553 100	RENAULT		3 893 570	FORD	
	50 409 6443	IVECO		3 902 514	FORD	
	8 149 186	VOLVO		4 176 181	FORD	
	8929878	DETROIT DIESEL		4 188 498	FORD	
9943 1512	IVECO	8AGX-15-171		MAZDA		
4621.80D	11 53 1 318 274	BMW		F42Z 8575 BA	FORD	
				FS05-15-171	MAZDA	
4634.76	21200-77A00	NISSAN		KL01 15 171 A	FORD	
	21200-77A60	NISSAN		KL01-15-171	MAZDA	
	21200-77A61	NISSAN		KL01-15-171 A	MAZDA	
	21200-77A63	NISSAN		XM34 8575 AA	FORD	
4635.76	1 953 231	FORD		4663.80/1	0501313877	ZF Parts
	1 961 674	FORD			815.00.06.0007	STEYR
	21200-0C810	NISSAN		90.9764.10	VOITH	
	21200-0C811	NISSAN	4665.80/1	81.06401.0018	MAN	
	21200-40F00	NISSAN	4671.80/1	81.06401.0031	MAN	
	21200-47R00	NISSAN	4684.70/1	81.06401.0019	MAN	
	21200-50K00	NISSAN		81.06401.0042	MAN	
	21200-53J00	NISSAN	4684.80/1	81.06401.0037	MAN	
	21200-53J10	NISSAN		81.06401.0046	MAN	
4637.76D ▲	MD 164541	MITSUBISHI	4684.83/1	81.06401.0038	MAN	
	MD 170031	MITSUBISHI		81.06401.0045	MAN	
	MD 317015	MITSUBISHI		9011 0080	DEUTZ-FAHR	
	MD 345617	MITSUBISHI	4685.83/1	81.06401.0039	MAN	
	ME 190303	MITSUBISHI	4814.92D	06C 121 111 C	VOLKSWAGEN	
	ME 191593	MITSUBISHI		06C 121 111 D	VOLKSWAGEN	
4637.82D	ME 200262	MITSUBISHI		06C 121 111 E	VOLKSWAGEN	
	MD 158570	MITSUBISHI	4816.90D	3063 7217	VOLVO	
	MD 165630	MITSUBISHI		3065 0022	VOLVO	
	MD 175746	MITSUBISHI		3077 7475	VOLVO	
	MD 310106	MITSUBISHI	4817.90D	3063 7216	VOLVO	
	MD 315301	MITSUBISHI		3065 0023	VOLVO	
	MD 335170	MITSUBISHI		3121 9205	VOLVO	
	MD 337408	MITSUBISHI	4818.90D ▲	3065 0469	VOLVO	
MD 338234	MITSUBISHI		3077 7476	VOLVO		
4637.88D ▲	MD 346527	MITSUBISHI		3129 3698	VOLVO	
	MD 346547	MITSUBISHI	4820.87D	03G 121 111 A	VOLKSWAGEN	
4638.76D	MD 997605	MITSUBISHI		03G 121 113 A	VOLKSWAGEN	
4638.82D	MD 015299	MITSUBISHI	4821.89D	1338 21	CITROËN	
	MD 094120	MITSUBISHI		1338 C8	PEUGEOT	
	MD 997224	MITSUBISHI		21200-6F900	NISSAN	
	MD 997606	MITSUBISHI		21200-6F901	NISSAN	
4639.82D	ME 999295	MITSUBISHI				
	17670-77E10	SUZUKI				
	17670-77E11	SUZUKI				



Vergleichsliste
Cross References
Liste de Correspondances

Wahler-Nr. Wahler-ref. Réf. Wahler	Hersteller-Nr. Manufacturer's Ref. Réf. Constructeurs	Hersteller Manufacturer Constructeur	Wahler-Nr. Wahler-ref. Réf. Wahler	Hersteller-Nr. Manufacturer's Ref. Réf. Constructeurs	Hersteller Manufacturer Constructeur	
4821.89D	96 006 231	CITROËN	6017.95D	321 959 481 C	AUDI	
	GTS299	ROVER		321 959 481 D	AUDI	
	PEL10019EVA	ROVER		441.0.4433.018.6	SKODA	
		6U0 959 481 A		VOLKSWAGEN		
4825.98D ▲	1 345 512	FORD	6020.92D	SE 021 952 600 A	SEAT	
	1 351 716	FORD		6020.95D	191 959 481 B	AUDI
	4M5G 6L721 GA	FORD	321 959 481 B		VOLKSWAGEN	
	4M5G 6L721 GB	FORD	321 959 481 E	AUDI		
4833.100D ▲	273 200 02 15	MERCEDES-BENZ	6024.95D	321 959 481 G	VOLKSWAGEN	
	6801 3949 AA	CHRYSLER		811 959 481	AUDI	
4834.100D ▲	272 200 00 15	MERCEDES-BENZ		893 959 481	AUDI	
	272 200 01 15	MERCEDES-BENZ	6031.100D	13 41 011	OPEL	
4835.87D ▲	642 200 04 15	MERCEDES-BENZ		90 242 277	VAUXHALL	
	6010.88D	115 095 070	SKODA	6031.105D	13 41 017	OPEL
		547 4546	FIAT		90 277 288	VAUXHALL
		5474546	CITROËN	6031.88D	1264 50	PEUGEOT
		6 144 361	FORD		13 0707 7080	FIAT
85 47 572		SAAB	13 41 028		OPEL	
6010.92D	113 095 090	SKODA	90 357 303	VAUXHALL		
	2828 6103	FIAT	6031.92D	1264-32	PEUGEOT	
	411 4572	FIAT		1264-50	PEUGEOT	
	423 5333	FIAT		599 2746	FIAT	
	423 5533	FIAT		6056 4101	FIAT	
	424 0878	FIAT		6080 8223	FIAT	
	426 3597	FIAT		774 8867	FIAT	
	823 959 481	AUDI		8242 0013	FIAT	
	823 959 481 A	AUDI		8243 6410	FIAT	
	823 959 481 F	AUDI		8246 5533	FIAT	
	823 959 481 L	VOLKSWAGEN		8247 7919	FIAT	
	85 69 23	SAAB	907 0701	FIAT		
	944.606.481.00	PORSCHE	6031.97D	4652 0219	FIAT	
6010.95D	13 41 002	OPEL		757 0837	FIAT	
	426 3997	AUTOBIANCHI	6033.88	595 8828	FIAT	
	434 0878	FIAT		762 8799	FIAT	
	6 072 016	FORD	6035.92	1264-33	PEUGEOT	
	6 077 895	FORD		4647 7717	FIAT	
	6 077 896	FORD		765 5732	FIAT	
	6 077 897	FORD	6035.92D	1264-33	PEUGEOT	
	6 077 898	FORD		4647 7717	FIAT	
	6 077 985	FORD		765 5732	FIAT	
	823 959 481 G	AUDI	6037.81D	701 959 481 C	VOLKSWAGEN	
823 959 481 H	VOLKSWAGEN	6037.87D		701 959 481	VOLKSWAGEN	
823 959 481 K	VOLKSWAGEN		701 959 481 J	VOLKSWAGEN		
90 108 636	VAUXHALL	6037.95D	1H0 959 481	AUDI		
95 26 518	SAAB		1H0 959 481 B	AUDI		
6016.92	595 1985		FIAT			
	595 1987		FIAT			
6017.95D	191 959 481 A	VOLKSWAGEN				
	191 959 481 C	VOLKSWAGEN				
	251 959 481	AUDI				
	321 959 481 A	AUDI				

Vergleichsliste
 Cross References
 Liste de Correspondances



Wahler-Nr. Wahler-ref. Réf. Wahler	Hersteller-Nr. Manufacturer's Ref. Réf. Constructeurs	Hersteller Manufacturer Constructeur	Wahler-Nr. Wahler-ref. Réf. Wahler	Hersteller-Nr. Manufacturer's Ref. Réf. Constructeurs	Hersteller Manufacturer Constructeur
6037.95D	7 215 818	FORD			
	95VW 8B607GA	FORD			
6039.95D	372 959 481 1	VOLKSWAGEN			
	867 959 481	AUDI			
6040.88	757 6281	FIAT			
6087.87D	251 959 481 G	VOLKSWAGEN			
	251 959 481 H	VOLKSWAGEN			
	251 959 481 K	VOLKSWAGEN			
7129.00D	13 54 1 730 682	BMW			



Dichtungszuordnung
Listings of gaskets
Liste de joints

Wahler-Nr. Wahler-ref. Réf. Wahler	Dichtung Gasket Joint	Wahler-Nr. Wahler-ref. Réf. Wahler	Dichtung Gasket Joint	Wahler-Nr. Wahler-ref. Réf. Wahler	Dichtung Gasket Joint
100456D5	100456	3119.88D5	100601	4049.80D	002085
102543D5	102543		100607	4049.80D1	002479
110156D5	110156	3119.92D3	100599	4049.87D	002085
110392D5	110392		100600	4064.75D	002085
115600D5	115600	3136.82D50	002154	4078.65D	002085
117385D5	117385		105433	4078.71D	002085
3004.82D1	002149	3136.88D50	002154	4078.75D	002085
3004.88D1	002149		105433	4078.79D	002085
3004.92D1	002149	3141.87D	002138	4078.87D	002085
3017.87D2	003187	3142.90D	102642	4078.92D	002085
3017.87D50	002137	3143.87D	102725	4083.83D50	002892
	002150	3145.79D	108476		002922
3017.92D2	003187	3146.90D	102642	4088.80D	002085
3017.92D50	002137	3151.87D	003062	4088.87D	002085
	002150	3159.82D	003594	4089.71D	003192
3021.88D50	002153	3163.88D	104360	4089.82D	003192
	002163	3164.88	104360	4089.87D	003192
	002164	3166.89D	105317	4089.92D	003192
	002523	3167.83D ▲	102725	4091.82D ▲	116692
3021.92D50	002153	3169.79D ▲	119164		116693
	002163	3171.82D ▲	119081	410007.87D	003588
	002164	3174.89D	105571	410044.82D	114229
	002523	3300.80D	104361	410048.88D ▲	109953
3022.87D	003591	3301.80D	104361	410049.88D ▲	109944
3023.87D	002160	3302.80D	104361	410058.84D ▲	114419
3033.78D	120675	3343.80D	003590	410069.82D ▲	119081
3033.84D	120675	3355.80D	003587	410081.79D ▲	119164
3044.90D1	100595	3356.80D	003590	410090.88D ▲	112151
3054.87D50	002143	3360.87D	003588	410131.88D ▲	102511
	002153	3361.87D	003588	410171.87D ▲	104738
3054.92D	002153	3373.80D	003587	410174.92D ▲	104738
3054.92D50	002143	3383.87	108485	410183.88D ▲	118938
	002153	3431.80D	104361		118939
3091.92D	002137	3457.90D	114432	410224.78D ▲	115423
3100.88D	102511		114433	410224.82D ▲	115423
3100.92D ▲	102511	3466.89D	105414	410228.82D ▲	100596
3103.79	003602	3469.91D	105414	410262.91D ▲	114731
3105.87D	003062	3470.89D50	105434	410263.91D ▲	114731
3109.82D	003592		105435	4103.82D ▲	115422
3109.87D	003592	3472.87D	002138	410348.82D ▲	117136
3116.82D	003602	3478.82D	115422		118913
3116.89D	003602	3481.88D	104360	410396.82D ▲	002138
3118.82D1	100596	3484.87D	108485	410475.80D ▲	102725
	100597	3485.87D	108485	410475.87D ▲	102725
	100606	3498.88D	100599	410488.88D ▲	003192
3118.88D1	100596	3499.82D	100599	4105.65D	002892
	100597	3499.88D	100599	4105.71D	002892
	100606	4006.82D	002138	4105.75D	002892
3118.92D1	100596	4008.74D	003594	4105.79D	002892
	100597	4008.79D	003594	4105.83D	002892
	100606	4022.82D	003192	410513.88D ▲	003123
3119.82D3	100599	4022.82D1	003595	410514.88D ▲	003123
	100600	4022.88D	003192	410515.88D ▲	003123
3119.82D4	100605	4022.92D	003192	410516.88D ▲	003123
3119.82D5	100601	4033.82D	002144	410537.92D ▲	002138
	100607	4038.65D	104224	410590.88D ▲	003123
3119.88D3	100599	4038.71D	104224		
	100600	4038.76D	104224		
3119.88D4	100605	4038.81D	104224		

Dichtungszuordnung
Listings of gaskets
Liste de joints



Wahler-Nr. Wahler-ref. Réf. Wahler	Dichtung Gasket Joint	Wahler-Nr. Wahler-ref. Réf. Wahler	Dichtung Gasket Joint	Wahler-Nr. Wahler-ref. Réf. Wahler	Dichtung Gasket Joint
410608.86D	118996	4150.79D50	002892	4236.92D	002085
	119078		106244	4237.80D	002085
	119080	4150.83D50	002892	4237.88D	002085
	120213		106244	4238.92D	002085
	4619.86	4151.76D	003602	4242.92D	102543
410692.71D	119879	4151.79D	003602	4246.80D	104361
	119880	4152.79D	002817	4247.80D	104361
410758.83D	120299	4154.82D	003192	4249.83D	106281
	4596.83	4154.88D	003192	4253.87D	002138
410763.82D	003896	4155.87D	102081	4255.82D	003561
	120329	4158.80D	002817	4255.87D	003561
	120330	4160.83	003052	4255.92D	003561
	4622.82D0	4160.83D	003052	4256.80D	002138
410828.82D	121904	4162.79D	003602	4256.80D60	000232
	122345	4163.74D	002817		003602
410828.86D	121904	4163.79D	102226	4256.83D60	000232
	122345	4164.92D	101973		003602
410845.87D ▲	120086	4165.79D	102226	4256.87D50	002138
410845.92D ▲	120086	4166.79D	002817		002147
410989.80D ▲	124401		102226		002148
410989.87D ▲	124401	4168.92D	101973	4256.92D50	002138
410994.88D ▲	003123	4174.79D	003595		002147
411004.80D	122690		003602		002148
411045.82D	121908	4174.82D	003595	4264.84D	002138
411127.83D	123713		003602	4264.87D	002138
	123716	4175.92D	100008	4269.78D ▲	115423
	411089.83D	4176.70D	002584	4270.88D	102511
411127.87D	123713	4176.75D	002584	4272.90D	003192
	123716	4176.80D	002584	4274.82D	102081
	411089.87D	4176.85D	002584	4274.87D	102081
411133.80D	123872	4177.92D	100007	4274.92D	102081
	123873	4178.92D	101973	4275.87D	002085
	4619.80	4180.82D	101973	4276.87D	002085
411134.83D	123746	4183.82D	100007	4278.80D	102084
	123747	4183.92D	100007	4279.87D	002085
	411089.83D	4188.92D	104892	4280.80D	003650
411134.87D	123746	4189.87D	100007	4280.85D	003650
	123747	4192.92D	104892	4281.87D	003658
	411089.87D	4193.92D	104892	4286.87D	002085
411135.83D	123747	4194.92D ▲	100007	4287.92D ▲	104738
	123748	4198.92D	104892	4297.92D	104892
	411089.83D	4201.92D	104892	4298.87D	003658
411135.87D	123747	4206.90D	100928	4357.92D ▲	104385
	123748		101313	4417.81D	100928
	411089.87D	4207.92D	104892	4428.92D	104892
4112.79D	002892	4208.92D	102543	4430.87D ▲	115028
4115.92D	002900	4223.75D	122689	4431.105D ▲	104385
4116.87D1	102081	4223.83D	122689	4433.92D	104892
4117.80D	002085	4224.75D	122690	4434.80D	104361
4122.87D	002898	4224.80D	122690	4436.80D	104361
4123.80D	102081	4231.80D	002140	4446.83D	105410
4132.74D	002817	4231.84D	002140	4447.80D	002898
4137.71D	002085	4232.80D	002085	4447.85D	002898
4137.80D	002085	4233.80D	002430	4449.84D	002898
4144.82D	101973	4233.84D	002430	4450.83D	105410
4144.92D	101973	4235.71D	002085	4450.89D	105410
4147.80D	002898	4235.75D	002085	4453.87D	104738
4150.71D50	002892	4235.80D	002085	4455.80D	102081
	106244	4236.88D	002085		



Dichtungszuordnung
Listings of gaskets
Liste de joints

Wahler-Nr. Wahler-ref. Réf. Wahler	Dichtung Gasket Joint	Wahler-Nr. Wahler-ref. Réf. Wahler	Dichtung Gasket Joint	Wahler-Nr. Wahler-ref. Réf. Wahler	Dichtung Gasket Joint
4457.82D	105686	60700D	115600	7523D	118530
	106503		117385	7529D	110392
4459.92D	102322	60777D	115600D5	7610D	123590
4480.82D	114229		117385	7625D	103046
4483.82D	106307	6087.87D	002358	7631D	118493
	106503	61384D	117385		118532
4489.90D ▲	108431	665104D	115600D5		118533
4490.87D ▲	117217	665574D	100456	7649D	101953
4508.105D	100532		102543		117385
4516.70D	104887		110156	7650D	101953
4516.85D	104887		110392		117385
4517.87D	002085		115600		
4519.95D	104887		117385		
4520.80D	104470	710023D	103046		
4572.105D ▲	120626	710476D	123589		
4594.90D	003562	7159D	115586		
4596.83D	120298	7187D	101561		
4621.80D	101216	7188D	115599		
4638.76D	111209	7206D	101541		
4638.82D	111209		117943		
4816.90D	114704		117944		
4817.90D	114704	7211D	115599		
4818.90D ▲	114704	7220D	101541		
4820.87D	002138		117943		
4821.89D	109319		117944		
4833.100D ▲	110657	7223D	110156		
4835.87D ▲	117217	7234D	115618		
6010.100D	002358		115619		
6010.75D	002358	7241D	100456		
6010.82D	002358	7256D	120620		
6010.85D	002358	7268D	111127		
6010.88D	002358		117420		
6010.92D	002358		117421		
6010.95D	002358	7271D	103995		
6017.85D	002358		115600		
6017.95D	002358	7283D	100456		
6020.92D	002358	7293D	100456		
6020.95D	002358	7294D	100456		
6024.95D	002358		117385		
6031.100D	002358	7301D	117385		
6031.105D	002358	7327D	110156		
6031.88D	002358		117385		
6031.92D	002358	7350D	118533		
6031.97D	002358	7353D	103046		
60347D	123800	7371D	101637		
	123801		110156		
6035.92D	002358	7372D	101637		
60364D	117385		110156		
6037.81D	002358	7375D	115593		
6037.87D	002358	7389D	103046		
6037.95D	002358	7396D	121743		
60375D	115586		121747		
6039.95D	002358	7451D	110156		
60409D	117385		117385		
60415D	123800	7496D	102543		
60595D	101541		110156		
	102241	7497D	118533		
	117943		118534		
60633D	117385	7504D	110221		

Typenersatzliste
Supersession List
Liste des Remplacants



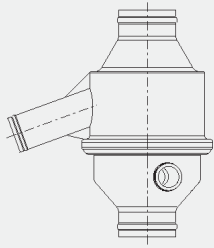
Wahler-Nr. Wahler-ref. Réf. Wahler	Nachfolger Supersession Remplacants	Wahler-Nr. Wahler-ref. Réf. Wahler	Nachfolger Supersession Remplacants
104360	003123		
2383.75	2391.75		
3000.70	3000.75		
3004.88	3004.88D1		
3021.88	3021.88D50		
3029.72	3029.78		
3033.78	3033.78D		
3033.84	3033.84D		
3044.90	3044.90D1		
3053.72	3053.75		
3053.78	3053.75		
3054.92D	3054.92D50		
3118.82	3118.82D1		
3118.88	3118.88D1		
3118.92	3118.92D1		
3347.80	3343.80D		
3391.92D	4459.92D		
4069.75/1	4083.79		
4083.71	4105.71D		
4083.71D1	4105.71D		
4083.79	4105.79D		
4083.83	4105.83D		
4089.87	4089.87D		
4089.92	4089.92D		
4091.82	4091.82D		
410044.82D	410231.82D		
410176.82	410176.82D0		
410176.88	410176.88D0		
4103.82	4103.82D		
4112.79D	4150.79D50		
4116.87D	4116.87D1		
4160.83	4160.83D		
4165.79	4165.79D		
4166.79	4166.79D		
4238.92D	4236.92D		
4269.78	4269.78D		
4340.80	4341.80		
4371.80	4351.79		
4378.80	4341.80		
4379.80	4351.79		
4453.87D	410171.87D		
4488.80	4488.80D0		
4523.75	4520.75		
4523.80	4520.80D		
4546.80	4565.80		
4546.80	4565.80		
4547.80	4684.80/1		
4570.80	4684.80/1		
4596.83	4596.83D		
4622.82	4622.82D0		
4665.80/1	4684.80/1		
4684.83/1	410864.83D0		
4689.97D0	410086.97D0		
6035.92	6035.92D		



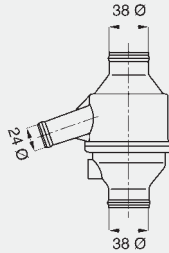
Haupteinbaumaße

Main assembly dimensions

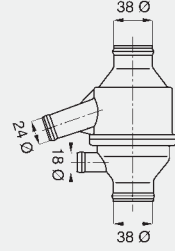
Dimensions principales de montage



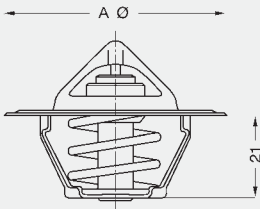
Typ
2389



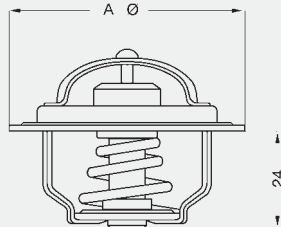
Typ
2391
2394



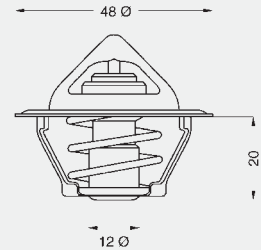
Typ 2393



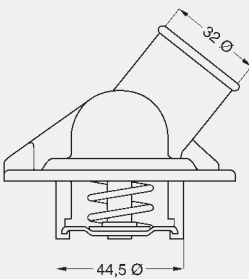
Typ A
3000 54 mit Entlüftungskerbe
3021 48
3044 44
3136 53,5
3141 54 ohne Entlüftungskerbe
3167 54 gummibeschichtete Ventilplatte



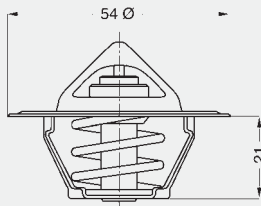
Typ A
3004 54 mit Entlüftungsventil
3032 60 mit Entlüftungsventil
3061 57 mit Entlüftungsventil
3063 53,5 mit Entlüftungskerbe



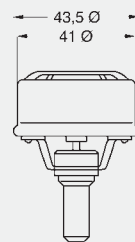
Typ
3017 mit Entlüftungskerbe
3091 mit Entlüftungsventil und gummibeschichteter Ventilplatte
3082 gummibeschichtete Ventilplatte



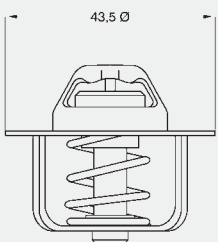
Typ 3022



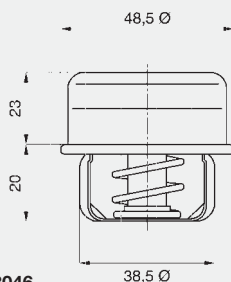
Typ 3023 mit Entlüftungskerbe



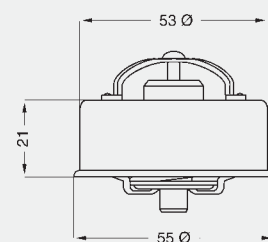
Typ 3029



Typ 3033



Typ 3046

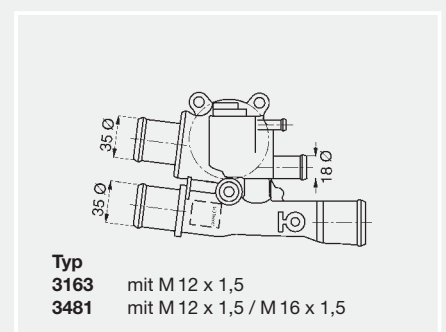
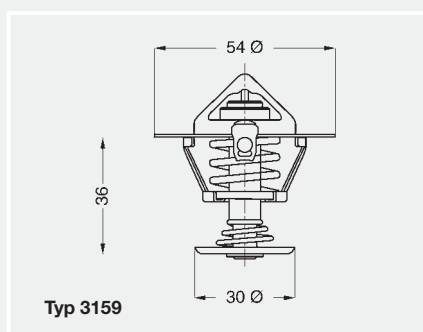
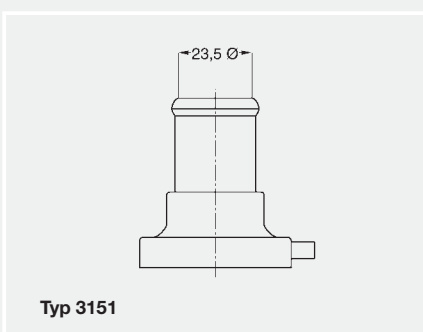
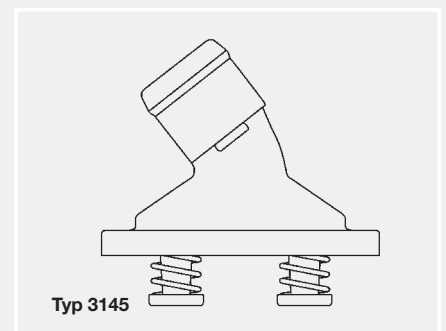
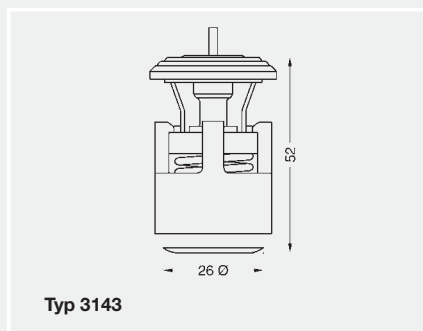
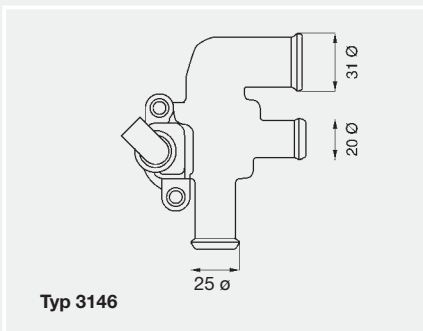
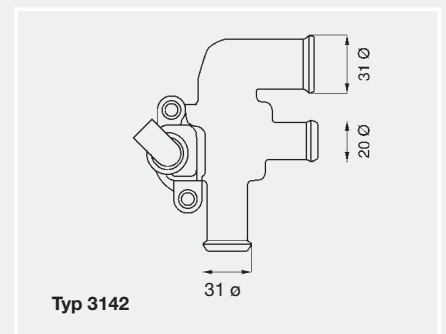
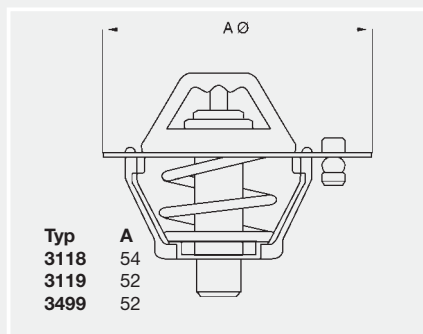
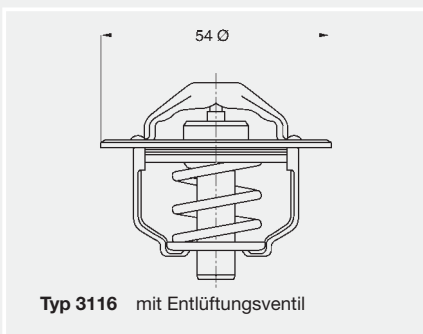
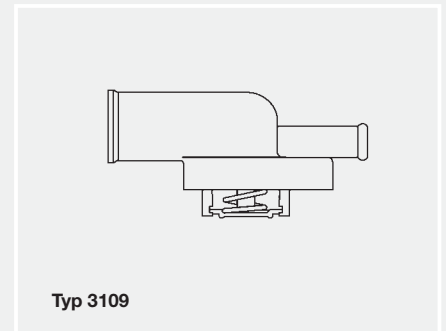
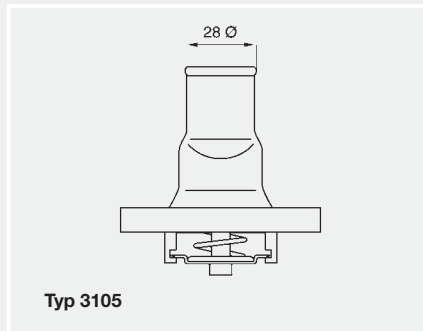
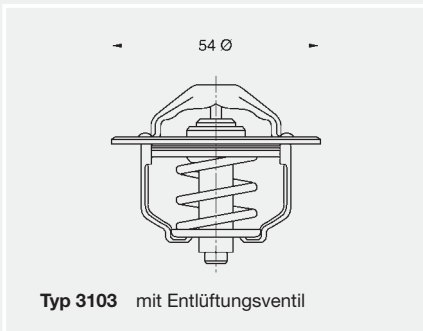
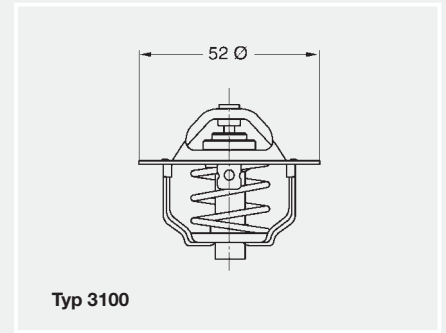
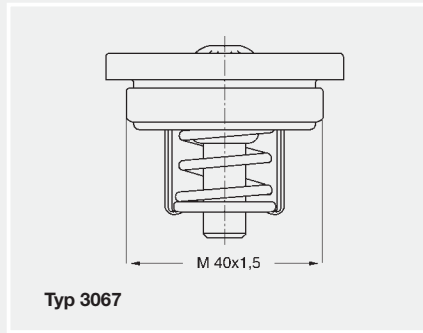
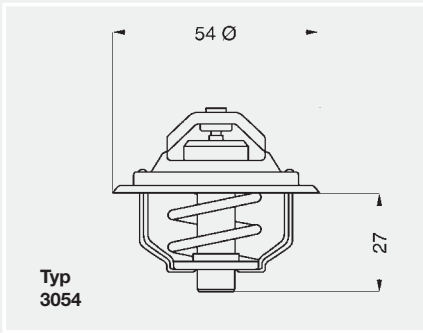
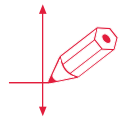


Typ 3053

Haupteinbaumaße

Main assembly dimensions

Dimensions principales de montage

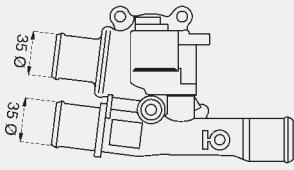




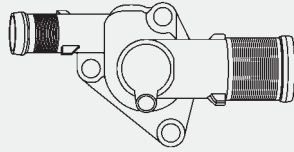
Haupteinbaumaße

Main assembly dimensions

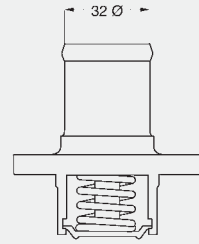
Dimensions principales de montage



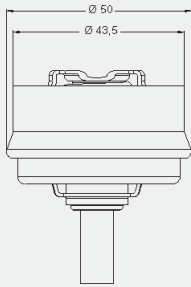
Typ 3164



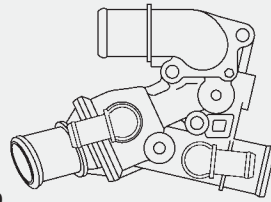
Typ 3166



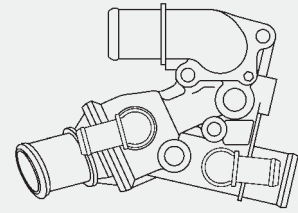
Typ 3174



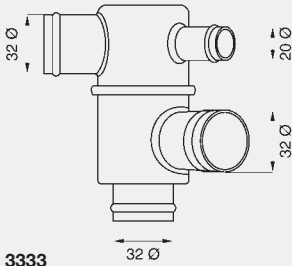
Typ 3187



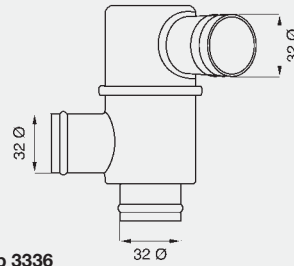
Typ 3300
4434 mit M22 x 1,5
4436 mit M16 x 1,5



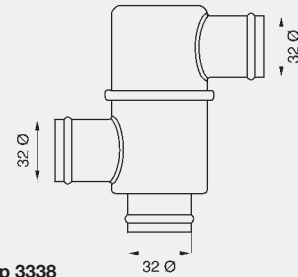
Typ 3301 mit 2 x M16 x 1,5
3302 mit 1 x M16 x 1,5



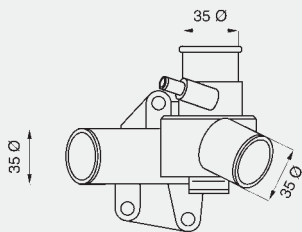
Typ 3333



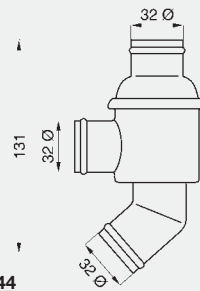
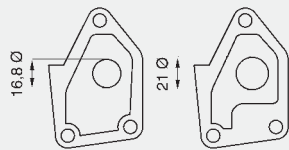
Typ 3336



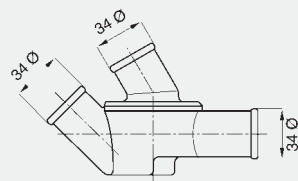
Typ 3338



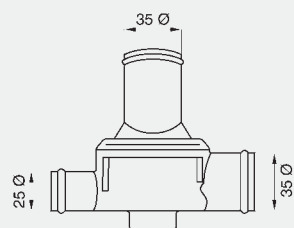
Typ 3343 21 Ø
3347 16,8 Ø



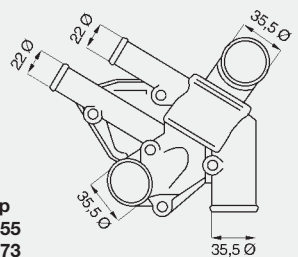
Typ 3344



Typ 3345



Typ 3352

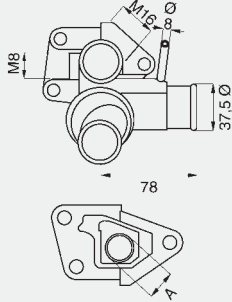
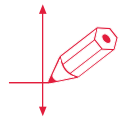


Typ 3355
3373
3378

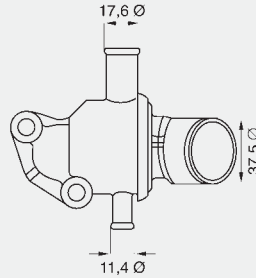
Haupteinbaumaße

Main assembly dimensions

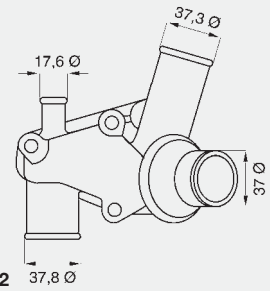
Dimensions principales de montage



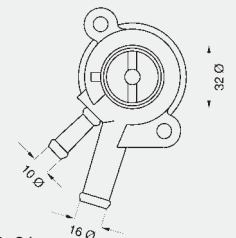
Typ A
3356 21, mit M 16, ohne M8, mit Ø 8
3364 23, ohne M 16, ohne M8, ohne Ø 8
3366 21, mit M 16, mit M8, mit Ø 8



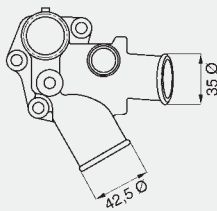
Typ 3361
3360 Stützen am Deckel um 90° gedreht



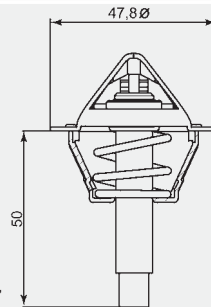
Typ 3362



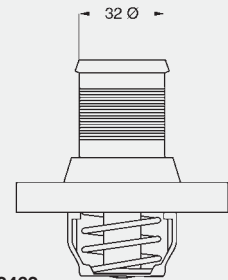
Typ 3383 mit Ø 10, 31 mm
3484 mit Ø 10, 51 mm
3485 ohne Ø 10



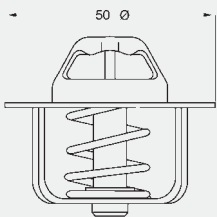
Typ 3431



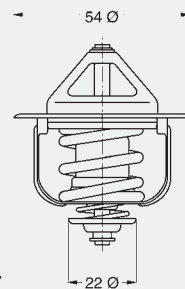
Typ 3457



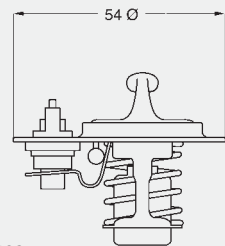
Typ 3463



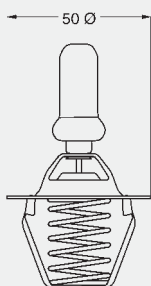
Typ 3466



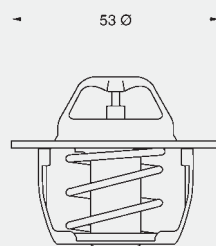
Typ 3467



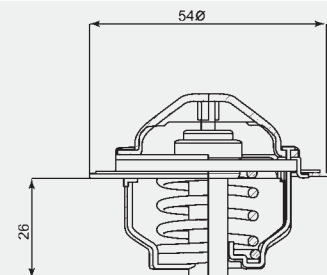
Typ 3468



Typ 3469



Typ 3470



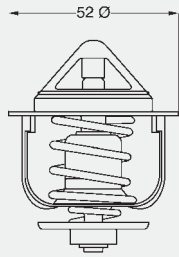
Typ 3472



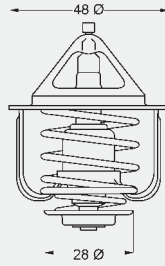
Haupteinbaumaße

Main assembly dimensions

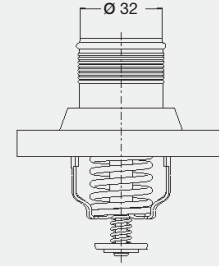
Dimensions principales de montage



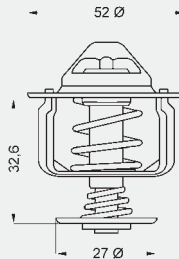
Typ 3477



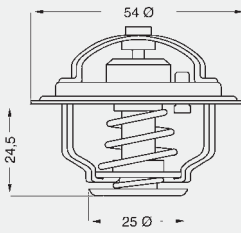
Typ 3478



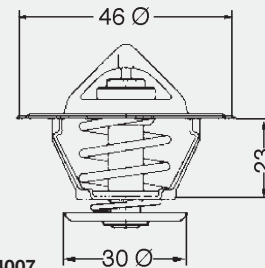
Typ 3483



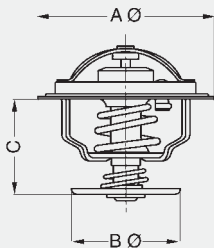
Typ 3497



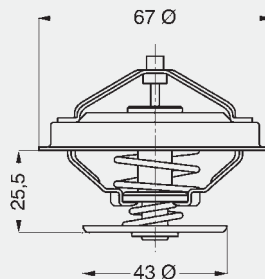
Typ
4003 ohne Entlüftungsventil oder -kerbe
4008 mit Entlüftungsventil
4015 mit Entlüftungskerbe



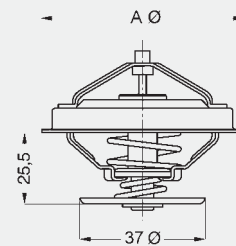
Typ 4007



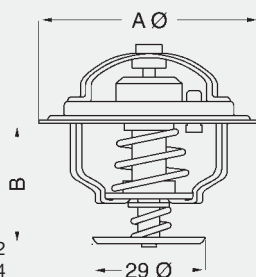
Typ	A	B	C	Description
4006	54	35	33	mit Entlüftungsventil
4026	54	28	30	mit Positionskerbe
4029	54	29	32	mit Entlüftungsventil
4033	56	34	33	ohne Entlüftungsventil oder -Kerbe
4154	54	29	32	mit Entlüftungsventil
4253	54	35	31	Ventilteller gummi- beschichtet
4256	54	35	31	ohne Entlüftungsventil oder -Kerbe
4272	54	35	31	mit Entlüftungsventil



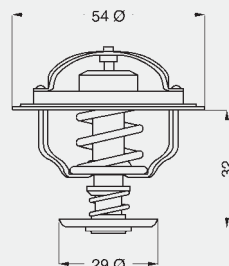
Typ	Description
4030	mit Entlüftungskerbe
4059	
4064	mit Entlüftungsventil kühlenseitig
4078	mit Entlüftungsventil motorseitig
4083	mit Entlüftungskerbe
4112	mit Entlüftungsventil
4122	mit Entlüftungsventil
4158	mit Entlüftungsventil



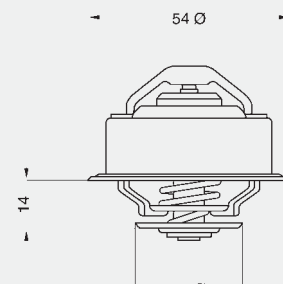
Typ	A	B	Description
4049	67	37	ohne Entlüftungsventil oder -kerbe
4088	67	37	ohne Entlüftungsventil oder -kerbe
4132	75	43	mit Entlüftungskerbe
4116	67	37	Ventilteller gummi- beschichtet
4117	67	37	mit Entlüftungskerbe



Typ	A	B
4022	54	32
4126	52	34
4154	54	32



Typ 4038

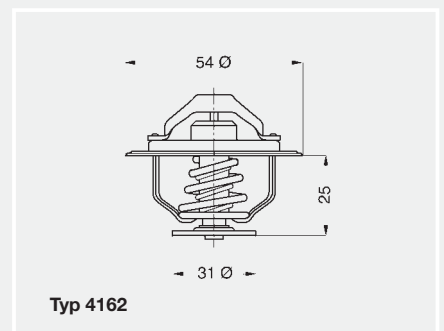
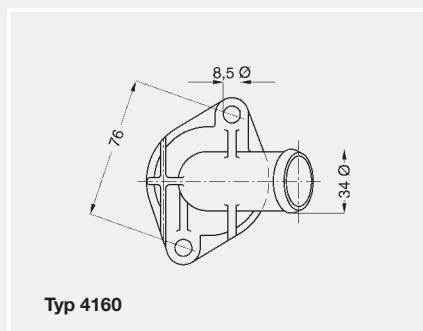
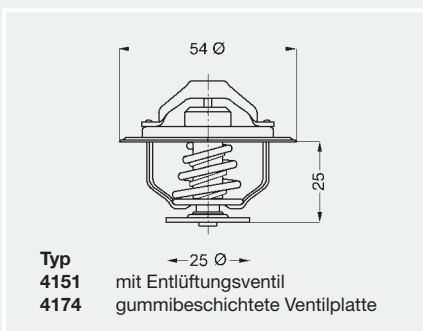
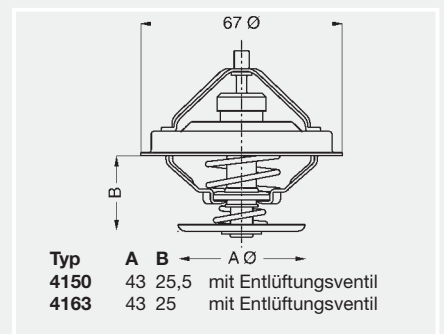
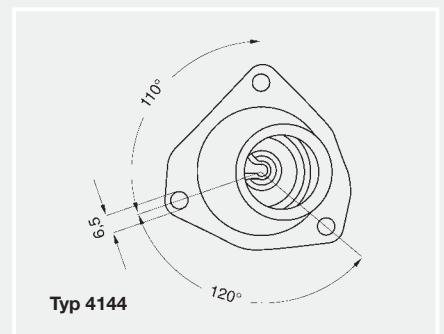
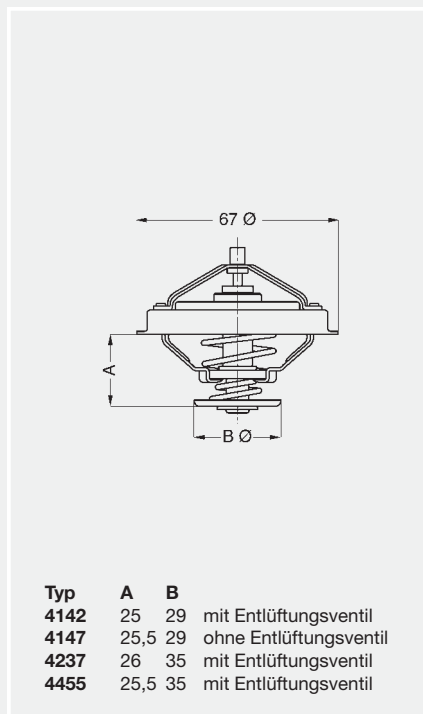
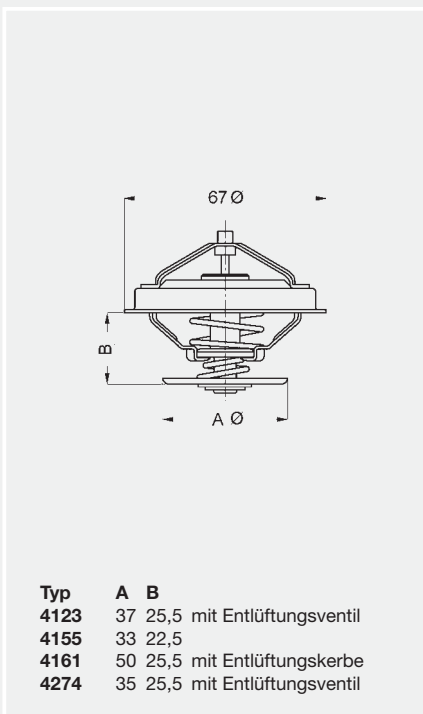
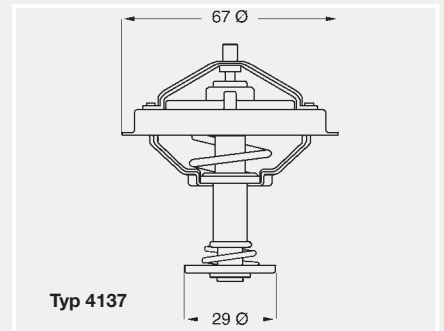
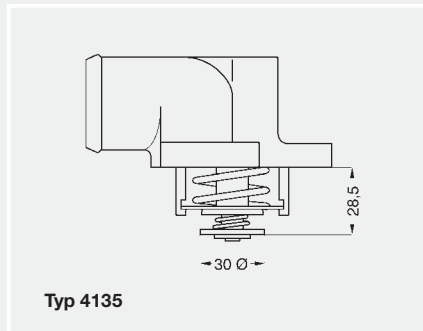
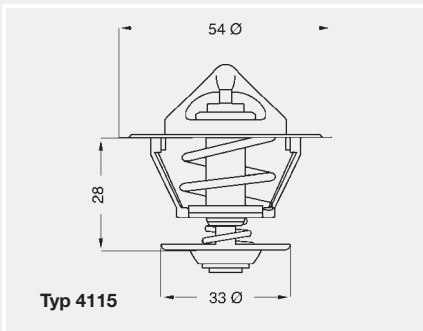
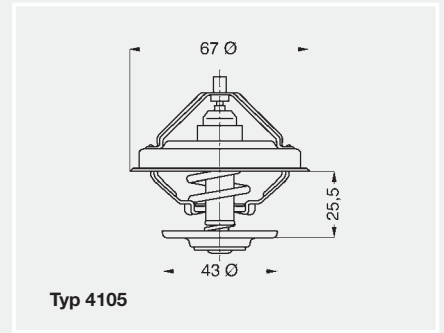
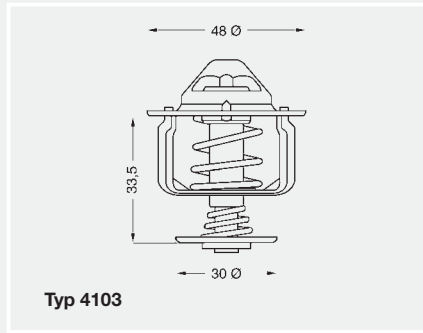
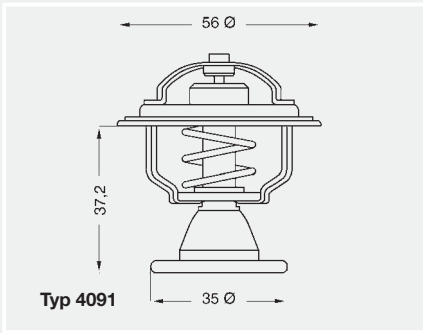
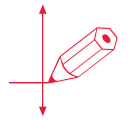


Typ 4089

Haupteinbaumaße

Main assembly dimensions

Dimensions principales de montage

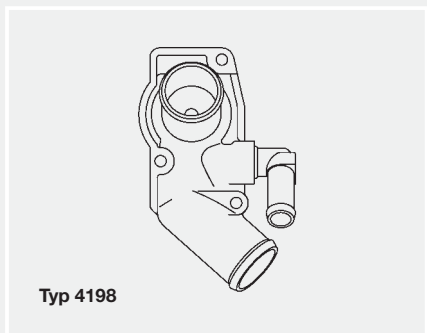
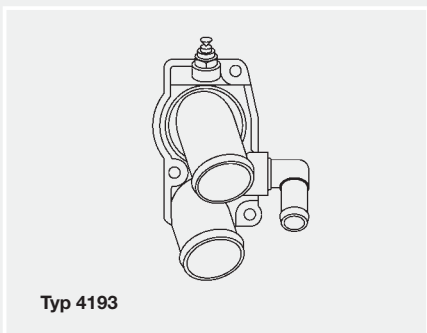
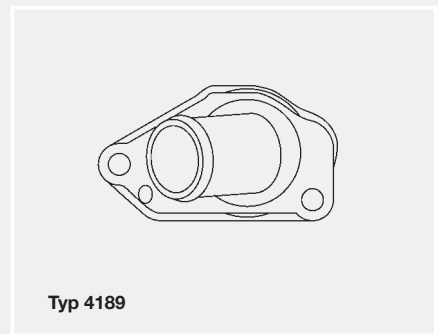
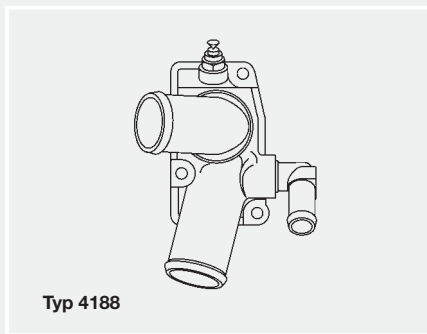
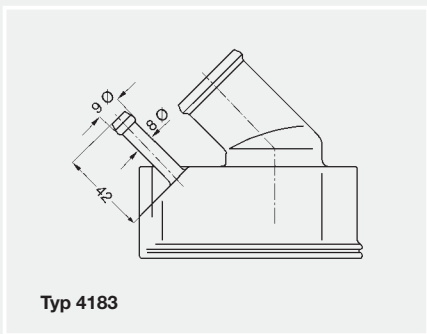
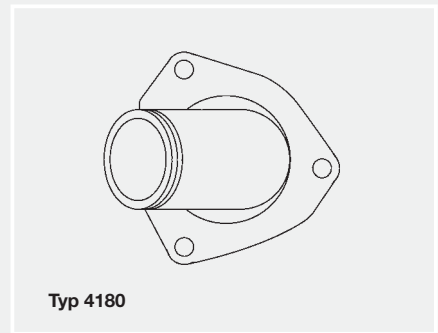
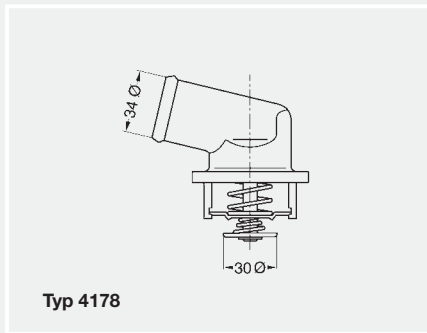
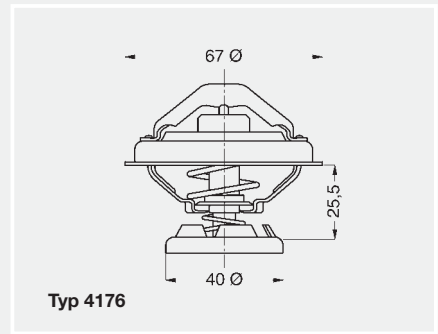
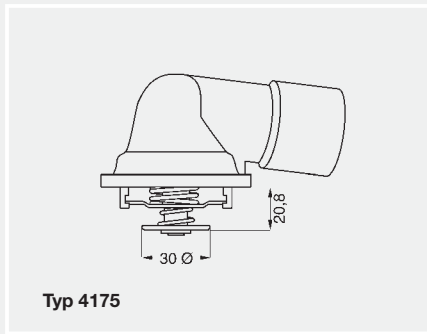
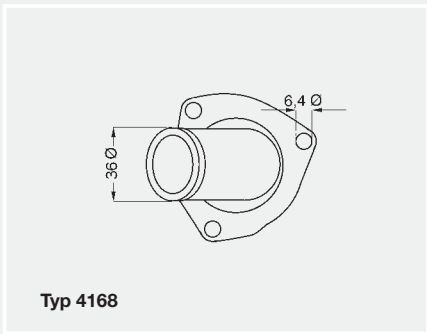
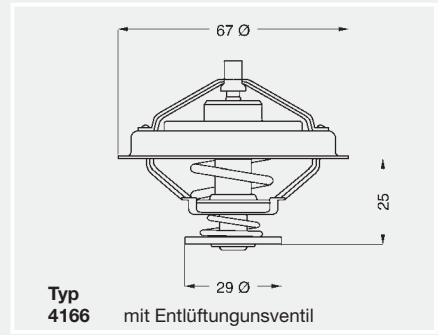
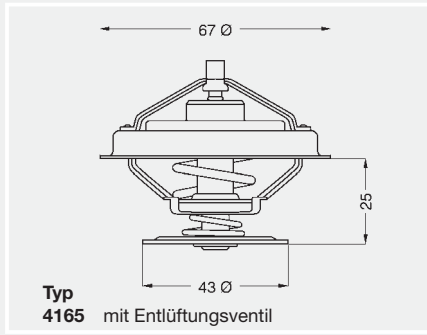
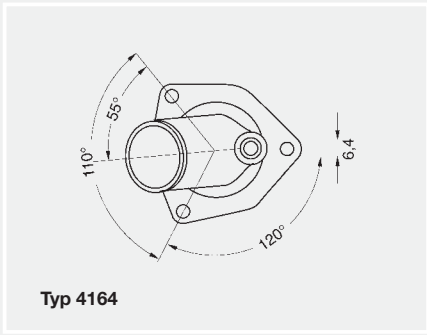




Haupteinbaumaße

Main assembly dimensions

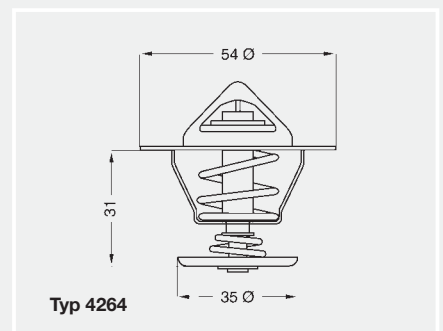
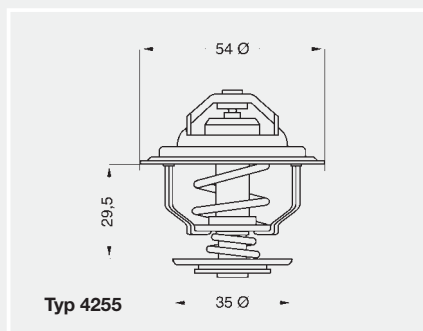
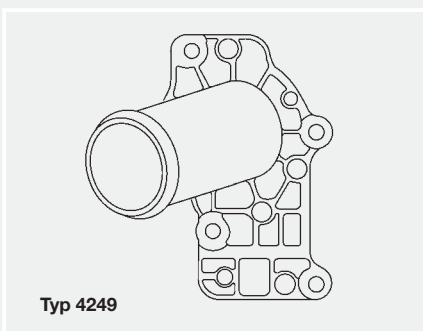
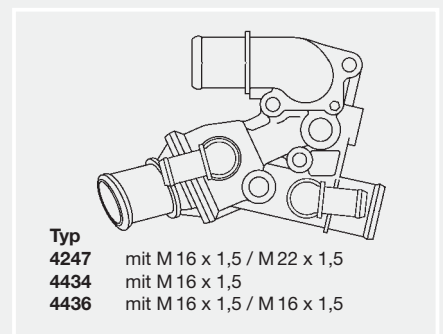
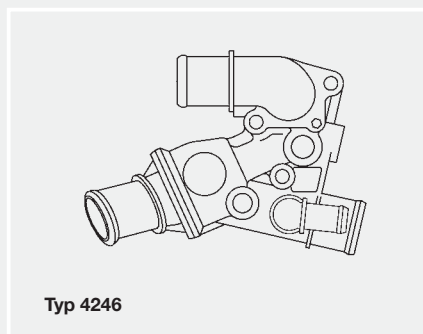
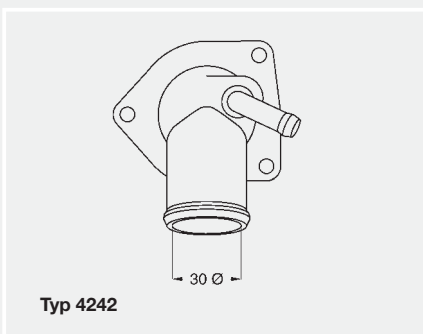
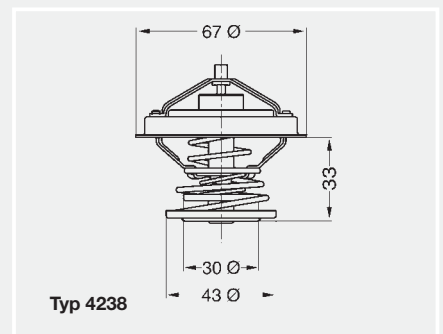
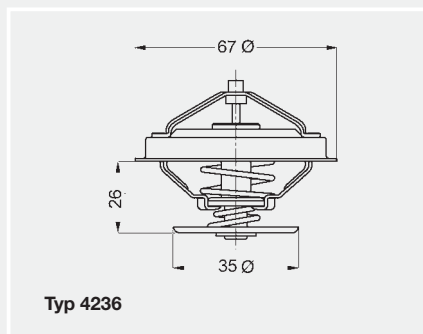
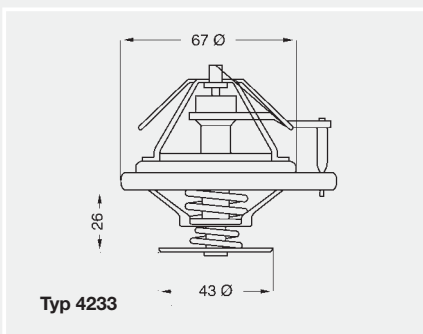
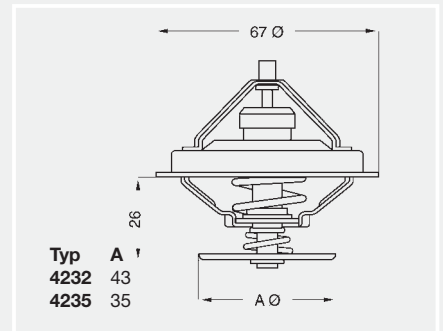
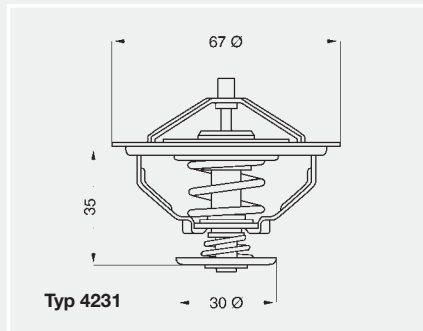
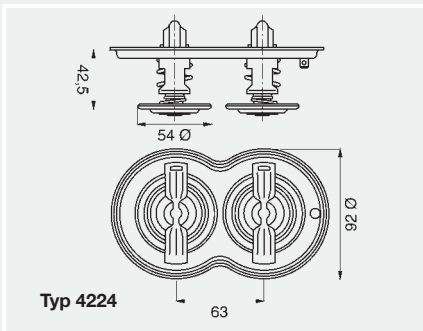
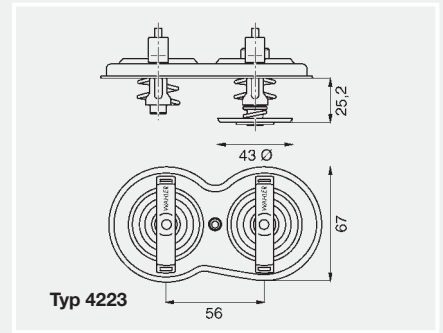
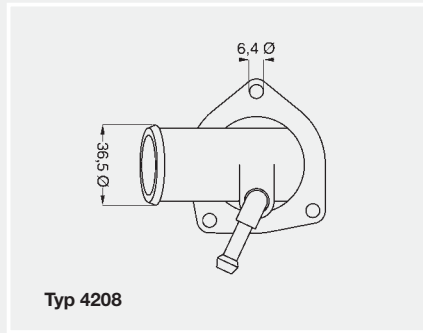
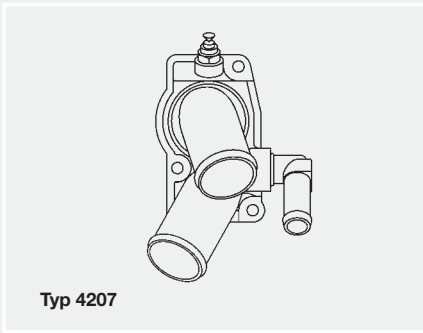
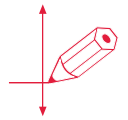
Dimensions principales de montage



Haupteinbaumaße

Main assembly dimensions

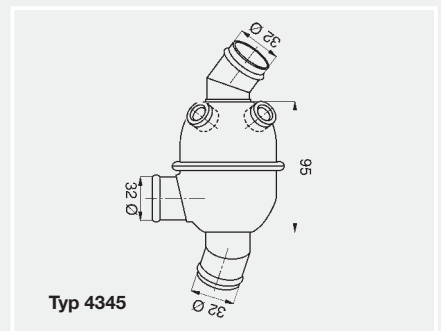
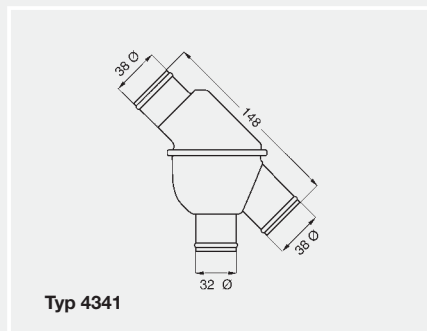
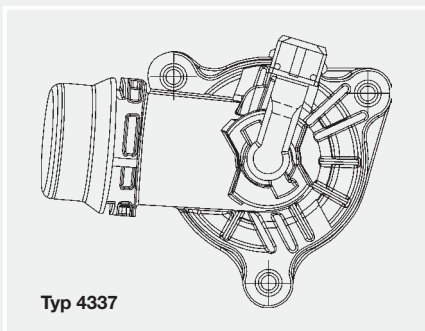
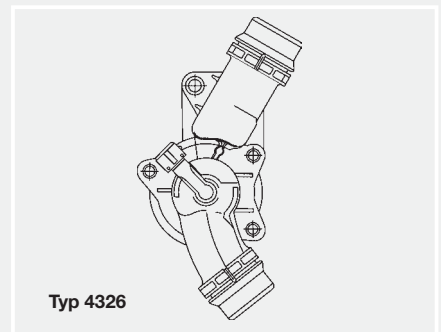
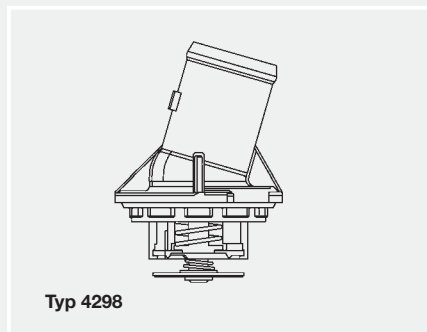
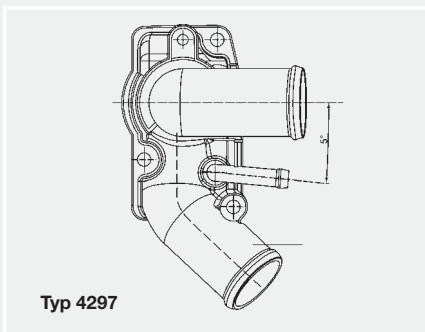
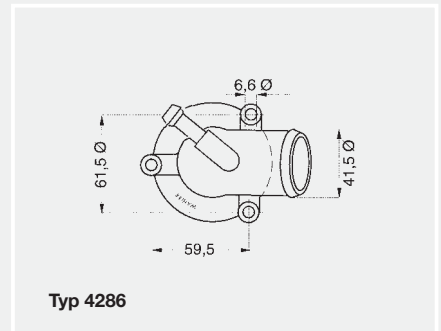
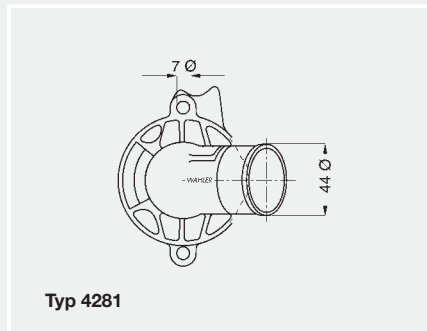
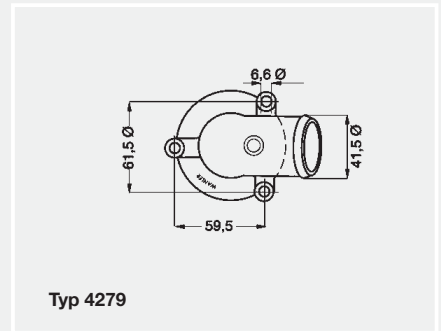
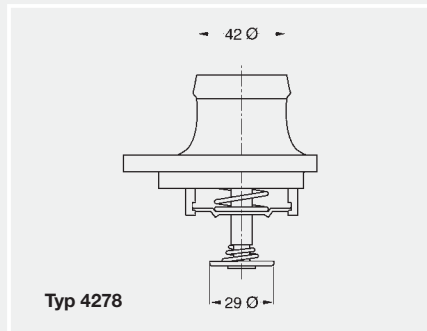
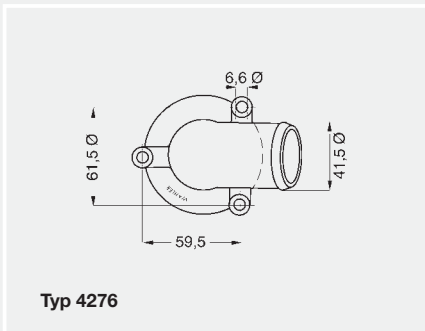
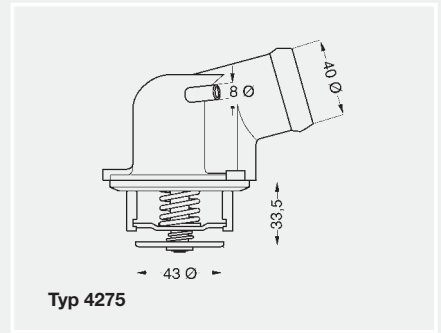
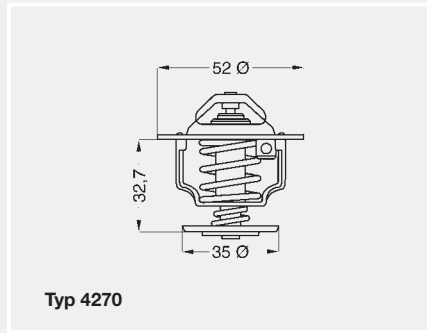
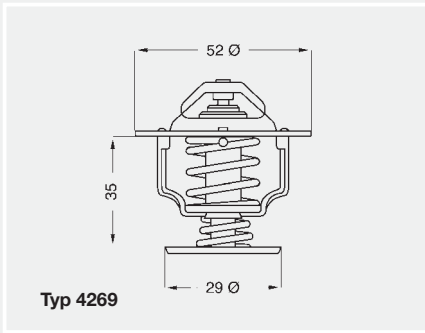
Dimensions principales de montage



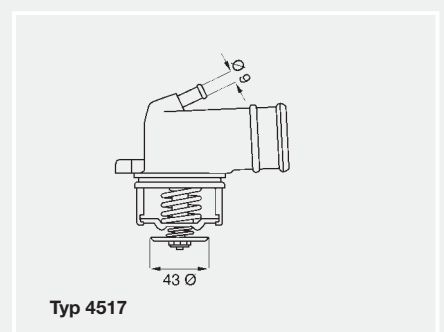
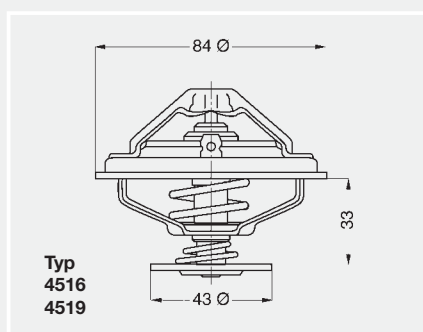
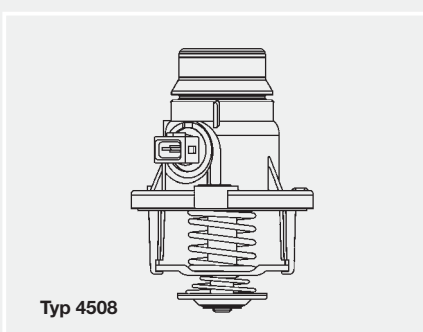
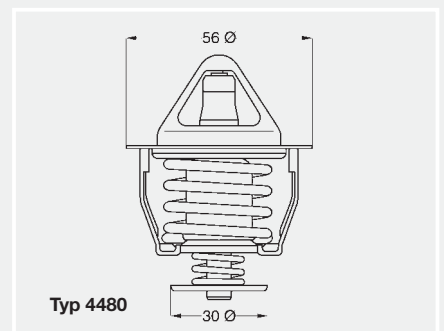
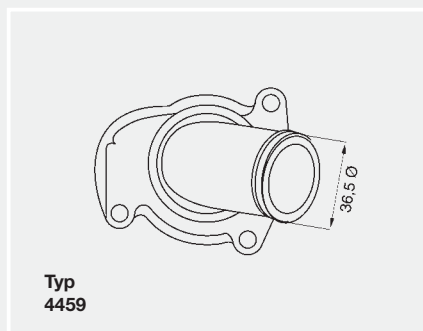
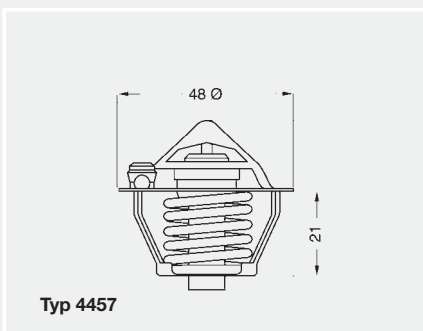
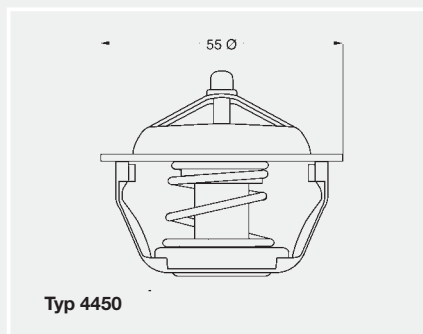
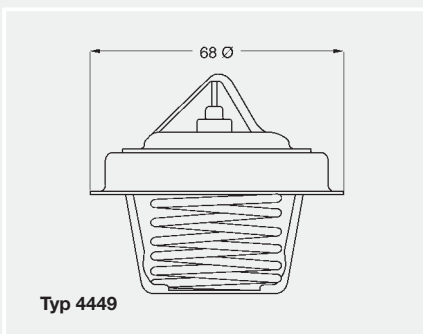
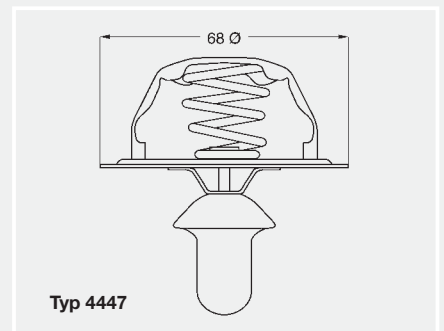
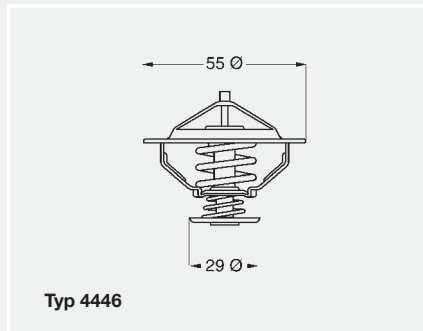
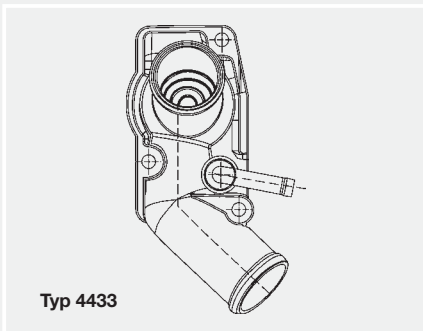
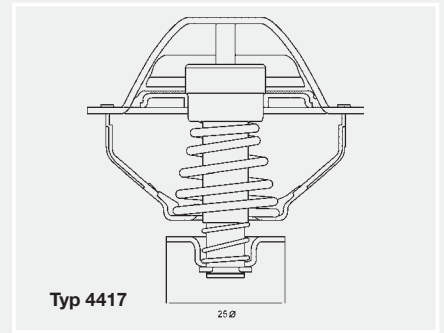
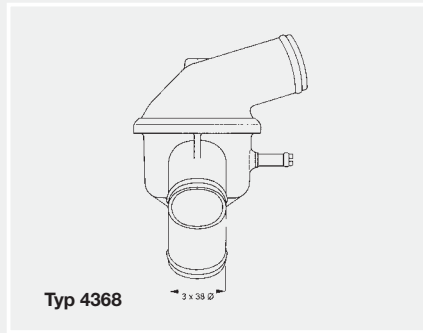
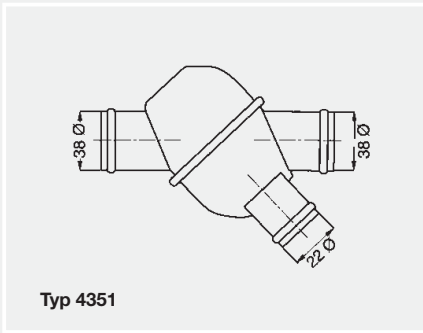
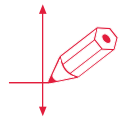
Haupteinbaumaße

Main assembly dimensions

Dimensions principales de montage

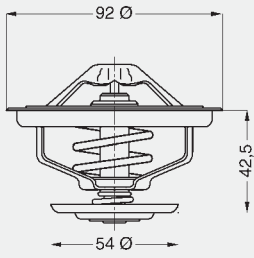


Haupteinbaumaße
Main assembly dimensions
Dimensions principales de montage

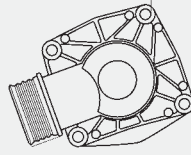




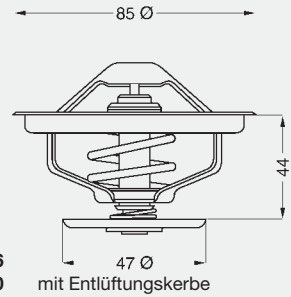
Haupteinbaumaße Main assembly dimensions Dimensions principales de montage



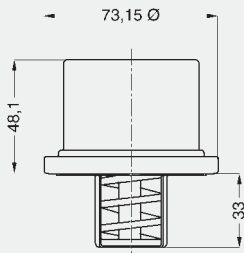
Typ 4520



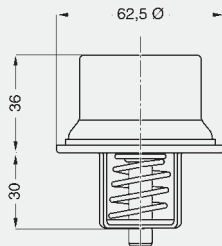
Typ 4594



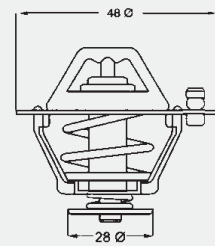
Typ 4596
4530 mit Entlüftungskerbe



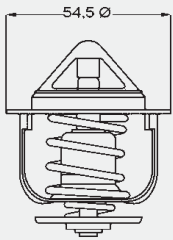
Typ 4619



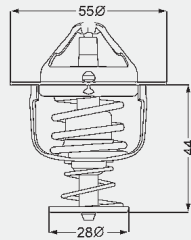
Typ 4621



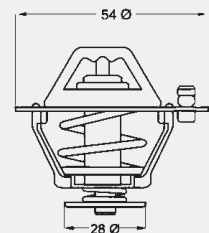
Typ 4634



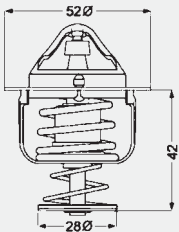
Typ 4635



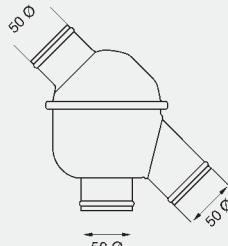
Typ 4637



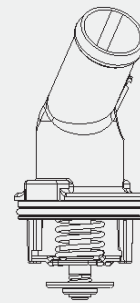
Typ 4638



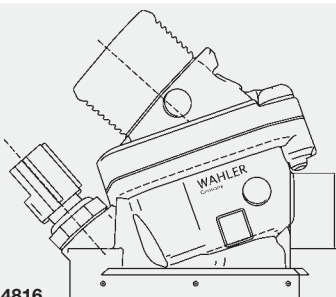
Typ 4639



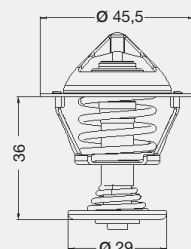
Typ 4663
4684 mit Entlüftungskerbe
mit Entlüftungsventil



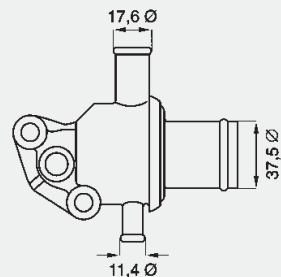
Typ 4814



Typ 4816



Typ 4821

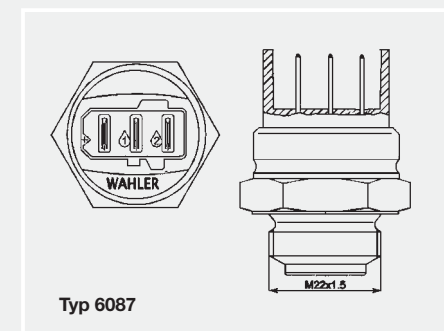
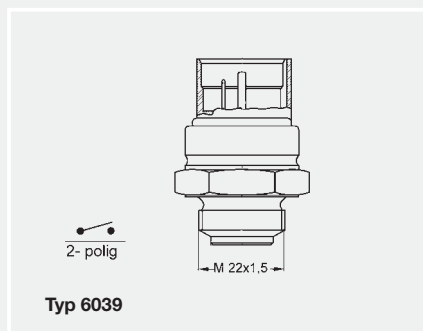
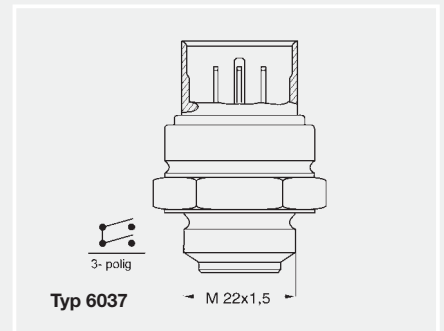
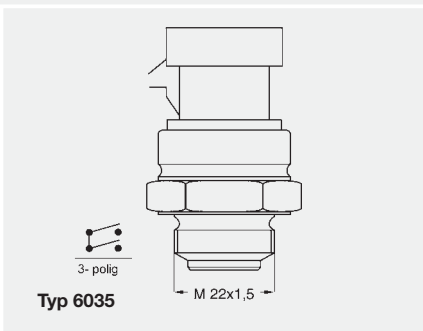
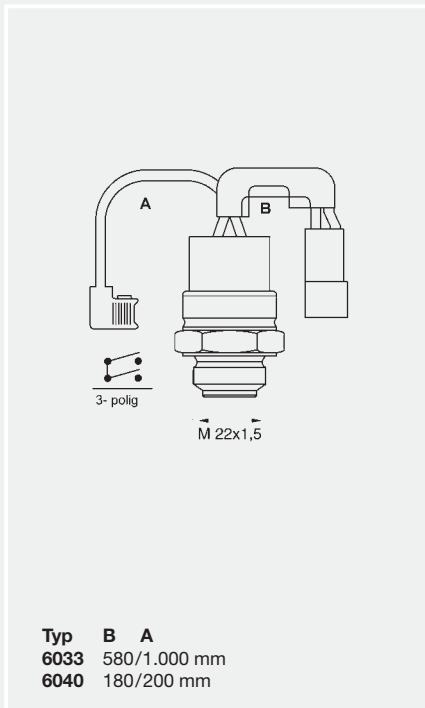
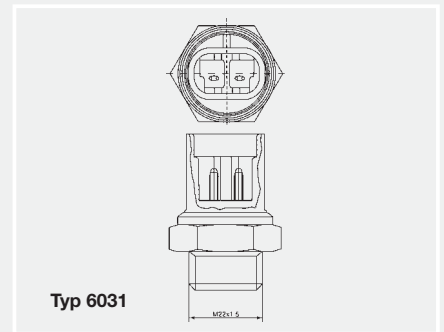
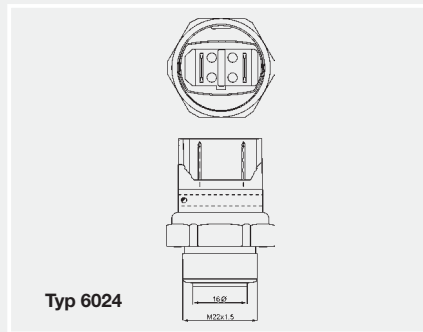
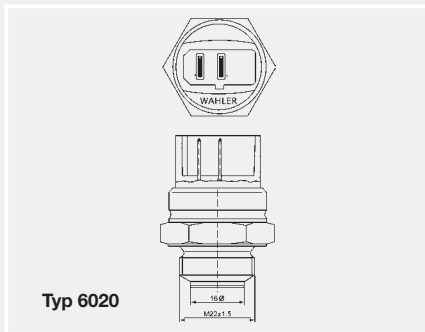
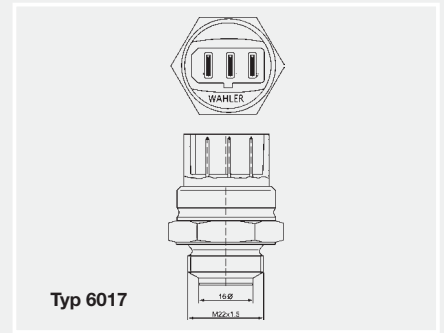
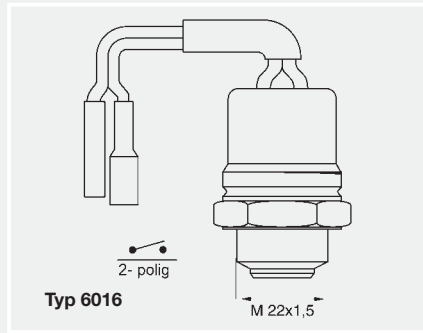
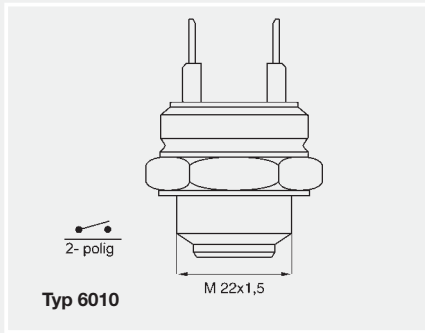
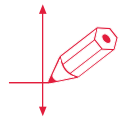


Typ 410007

Haupteinbaumaße

Main assembly dimensions

Dimensions principales de montage





Erklärungen *Explanations Nomenclatures*

Auslaufteil	article to be discontinued	article écoulé
Automatikgetriebe	automatic transmission	transmission automatique
ersatzlos entfallen	no longer available	n'est plus livré
Chassis Nummer	chassis number	numéro de chassis
mit Dichtung	with seal	avec joint d'étanchéité
mit Gehäuse	with housing	avec boîtier
mit Katalysator	with catalyst	avec catalyseur
mit Klimaanlage	with air conditioner	avec système de climatisation
mit Rußpartikelfilter	with particle filter	avec filtre à particules
Motorbauart	engine model	type de moteur
Motornummer	engine number	numéro de moteur
ohne Gehäuse	without housing	sans boîtier
ohne Katalysator	without catalyst	sans catalyseur
ohne Klimaanlage	without air conditioner	sans système de climatisation
ohne Rußpartikelfilter	without particle filter	sans filtre à particules
Kennfeldthermostat	electrically heated thermostat	thermostat piloté
thermisch	thermal	thermique
Schaltgetriebe	manual transmission	boîte de vitesses manuelle
Organisationsnummer	organisation number	numéro d'organisation
solange vorrätig	available while stocks last	jusqu'à épuisement des stocks
• = Auslaufteil	• = article to be discontinued	• = article écoulé
▲ = neuer Artikel	▲ = new part number	▲ = nouveau article
→ xxx = bis	→ xxx = up to	→ xxx = jusque
xxx → = ab	xxx → = from	xxx → = à partir
xxx → xxx = von → bis	xxx → xxx = from → up to	xxx → xxx = à partir → jusque

Die Angaben in diesem Ersatzteilkatalog wurden nach bestem Wissen und besten Erkenntnissen zusammengestellt, sie erheben jedoch keinen Anspruch auf Vollständigkeit. Zahlenangaben ohne Gewähr.

Die angegebenen Teile-Nummern oder Namen von KFZ-Herstellern dienen lediglich zu Vergleichszwecken.

Every effort has been made to ensure that the information in this part catalogue is correct at the time of print. However, no responsibility can be accepted for errors or omissions which may occur.

Manufacturer's names and part numbers are used for reference purposes only.

Durant la conception de ce catalogue, nous nous sommes efforcés de fournir des indications complètes et correctes. Néanmoins, il nous est impossible de nous porter garant pour l'intégralité ainsi que pour la durée de validité des informations données.

Les numéros des pièces et les noms des constructeurs automobiles ne sont cités qu'à titre comparatif.



Gustav Wahler GmbH u. Co. KG

Hindenburgstraße 146
73730 Esslingen
Germany

Fon: +49 711 3152-0
Fax: +49 711 3152-210
E-mail: info@wahler.de
Internet: www.wahler.de